



US00D601774S

(12) **United States Design Patent**  
**Segura**

(10) **Patent No.:** **US D601,774 S**  
(45) **Date of Patent:** **\*\* Oct. 6, 2009**

- (54) **INTEGRATED COUPLING FOR LIFTING WITH APERTURE**
- (76) Inventor: **Victor Joseph Segura**, 4104 W. Highway 90, New Iberia, LA (US) 70501
- (\*\*) Term: **14 Years**
- (21) Appl. No.: **29/313,508**
- (22) Filed: **Jan. 15, 2009**

5,507,237	A *	4/1996	Barrow et al.	108/55.1
D376,888	S *	12/1996	Mohrlang	D34/33
5,906,165	A *	5/1999	McCorkle et al.	108/55.1
6,357,365	B1 *	3/2002	Higgins et al.	108/55.1
6,513,442	B1 *	2/2003	Miller et al.	108/53.1
6,619,711	B2 *	9/2003	Scaglia	294/67.22
6,866,160	B2 *	3/2005	Wang et al.	220/7
7,290,815	B1 *	11/2007	Whittington	294/67.4
2001/0047975	A1 *	12/2001	Lazas et al.	211/183
2003/0160468	A1 *	8/2003	Segura	294/1.1

\* cited by examiner

**Related U.S. Application Data**

- (63) Continuation of application No. 11/600,690, filed on Nov. 16, 2006, now abandoned, which is a continuation of application No. 10/388,781, filed on Mar. 14, 2003, now abandoned, which is a continuation-in-part of application No. 09/814,553, filed on Mar. 22, 2001, now abandoned.

*Primary Examiner*—Cynthia E Ramirez

(74) *Attorney, Agent, or Firm*—Ted M. Anthony

(57) **CLAIM**

The ornamental design for an integrated coupling for lifting with aperture, as shown and described.

- (51) **LOC (9) Cl.** ..... **12-05**
  - (52) **U.S. Cl.** ..... **D34/35**
  - (58) **Field of Classification Search** ..... D34/28, D34/35, 38; 294/67.4, 67.5, 67.41, 67.22; 206/600; 108/53.11, 55.1–55.5, 56.1, 53.5; 211/50, 191
- See application file for complete search history.

**DESCRIPTION**

FIG. 1 is a side perspective view of an integrated coupling for lifting with aperture of the present invention installed on a load supporting apparatus shown in phantom.

FIG. 2 is an overhead view of the integrated coupling depicted in FIG. 1.

FIG. 3 is a rear elevational view of the integrated coupling depicted in FIGS. 1 and 2.

FIG. 4 is a side elevational view of the integrated coupling depicted in FIGS. 1 through 3.

FIG. 5 is a front elevational view of the integrated coupling depicted in FIGS. 1 through 4.

FIG. 6 is a bottom view of the integrated coupling depicted in FIGS. 1 through 5; and,

FIG. 7 is an exploded perspective view of the integrated coupling depicted in FIGS. 1 through 6.

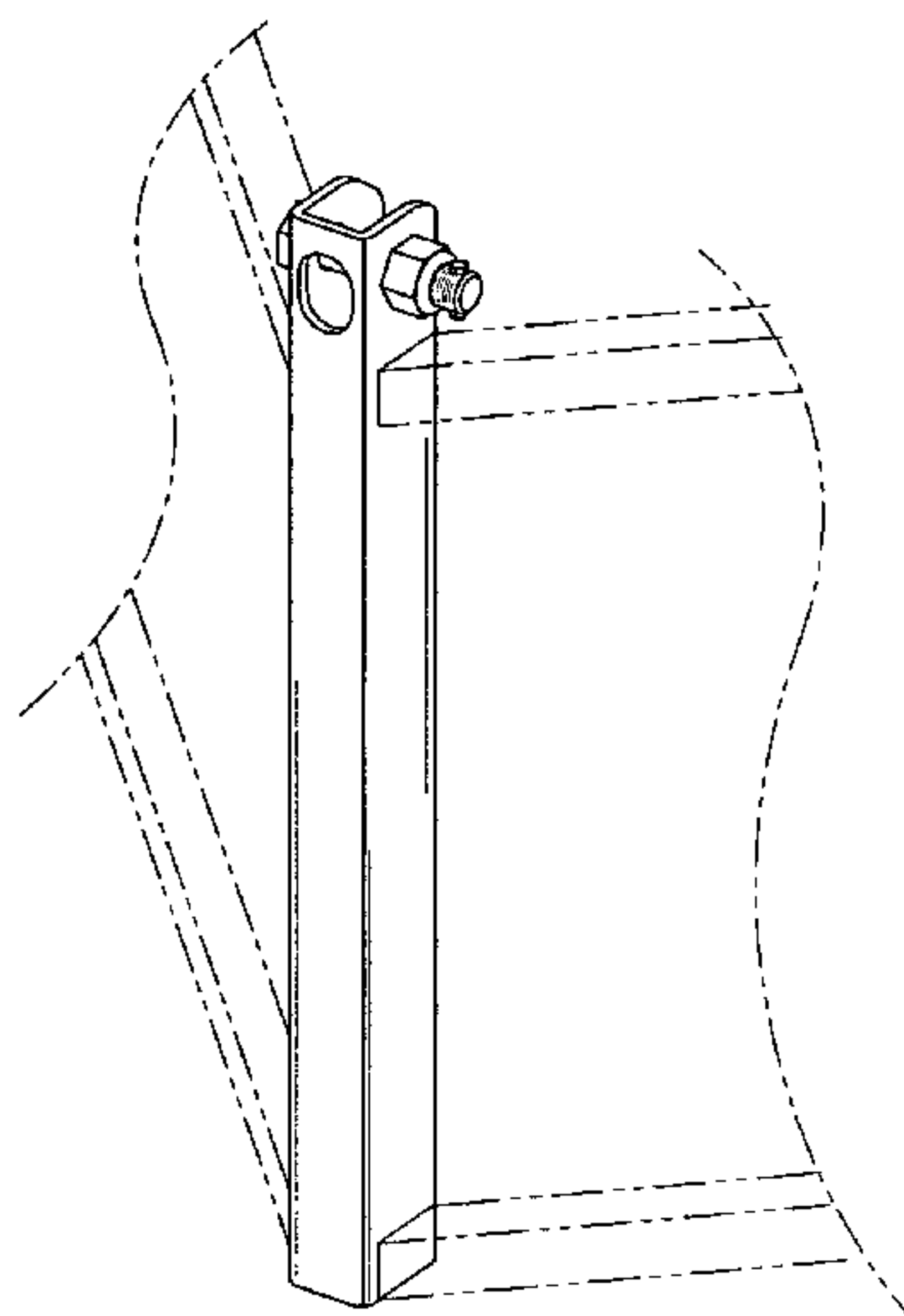
The broken lines in FIGS. 1 and 2 are included for the purpose of illustrating environment and form no part of the claimed design.

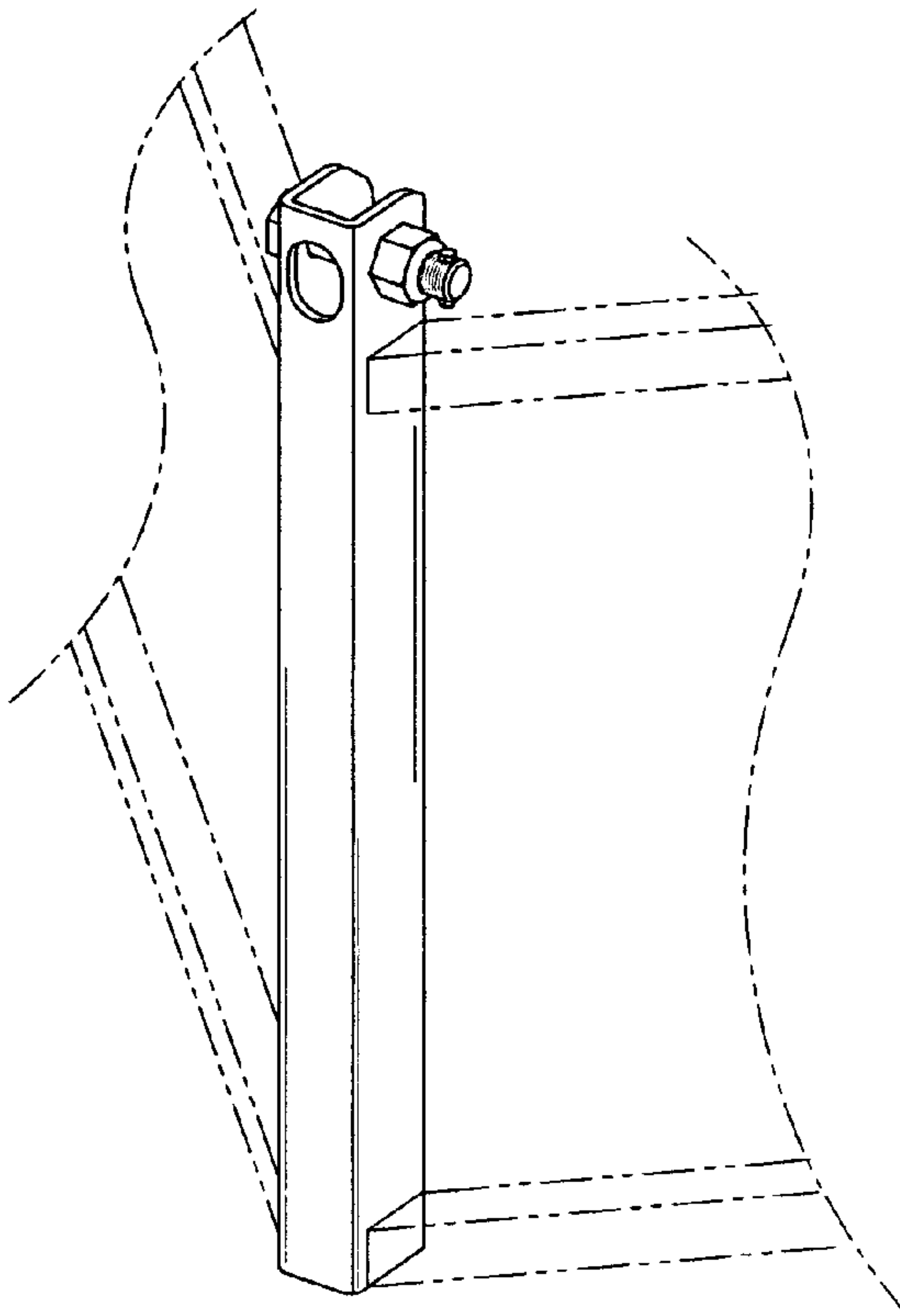
(56) **References Cited**

**U.S. PATENT DOCUMENTS**

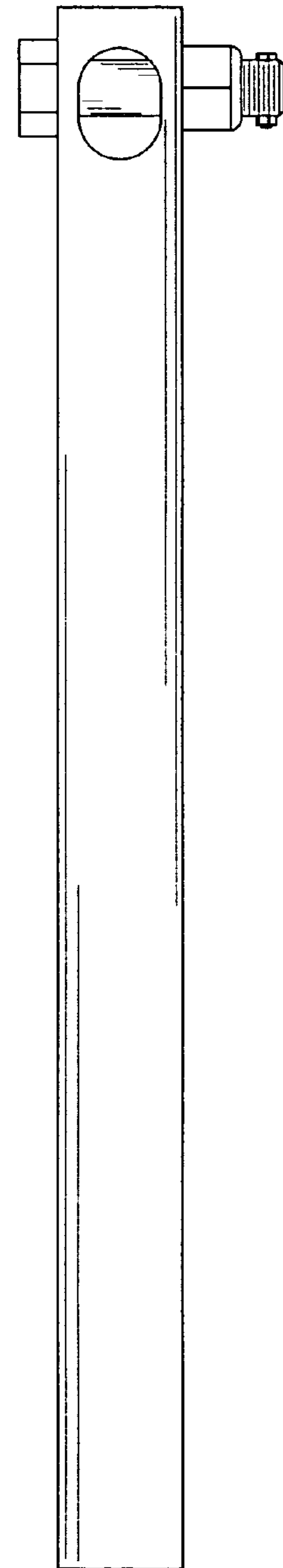
1,343,288	A *	6/1920	Strawn	294/67.4
3,480,174	A *	11/1969	Sherwood	220/1.5
3,493,128	A *	2/1970	Gerard	206/451
3,603,635	A *	9/1971	Ide	294/67.1
3,620,388	A *	11/1971	Harry Mansson	108/53.1
3,672,515	A *	6/1972	Rous	211/191
3,912,083	A *	10/1975	Jay	211/50
4,045,071	A *	8/1977	Dunstan	294/68.3
4,215,891	A *	8/1980	Thiele	294/74
4,240,359	A *	12/1980	Howe	108/53.1
4,773,547	A *	9/1988	Bell	211/194
5,163,726	A *	11/1992	Boos et al.	294/81.1

**1 Claim, 3 Drawing Sheets**

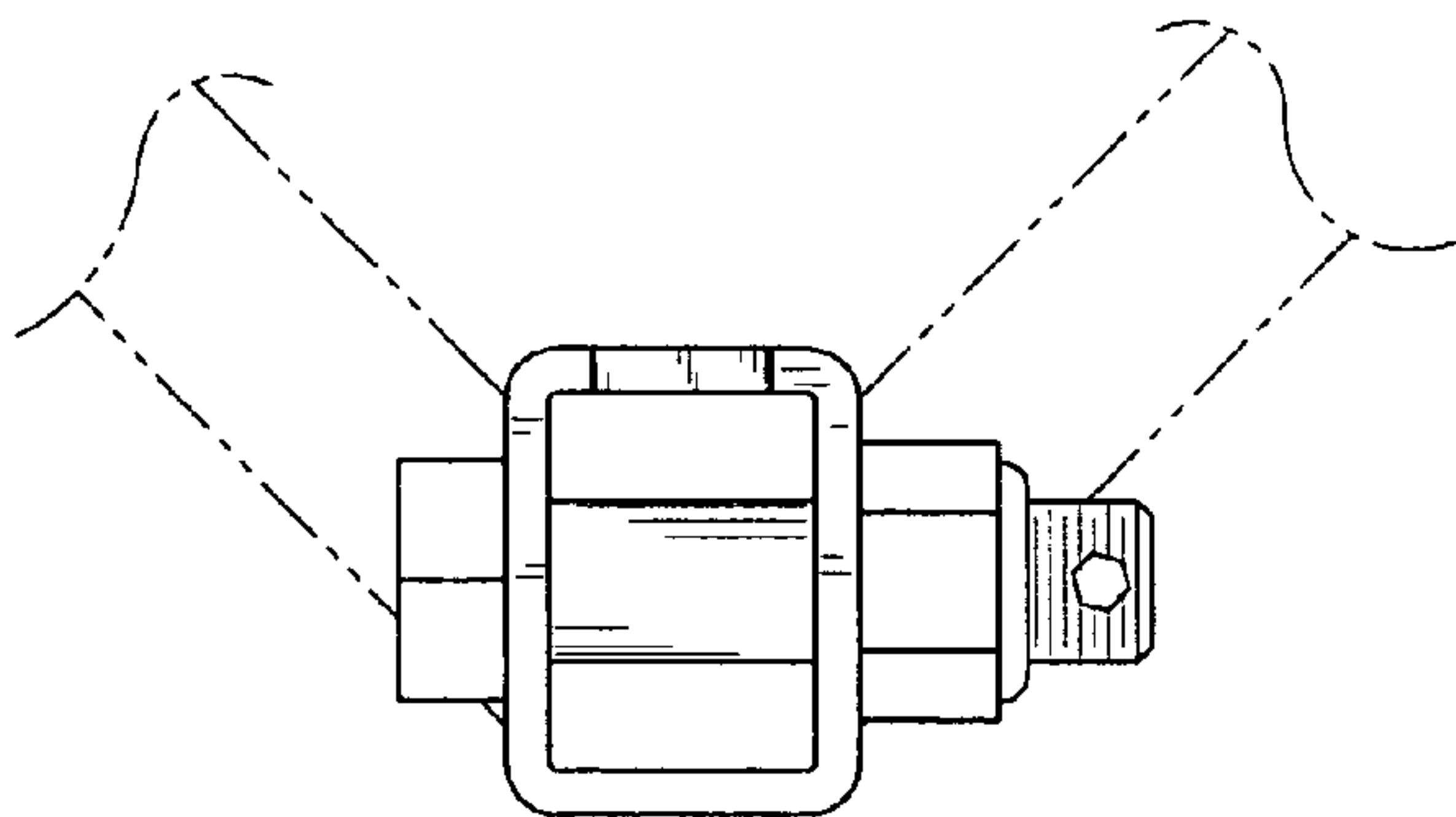




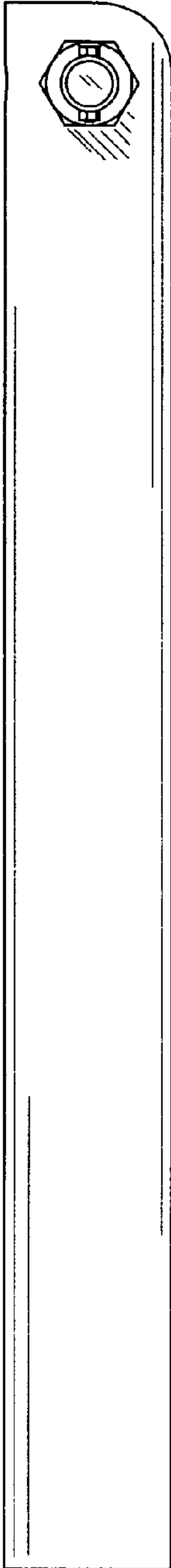
**Fig. 1**



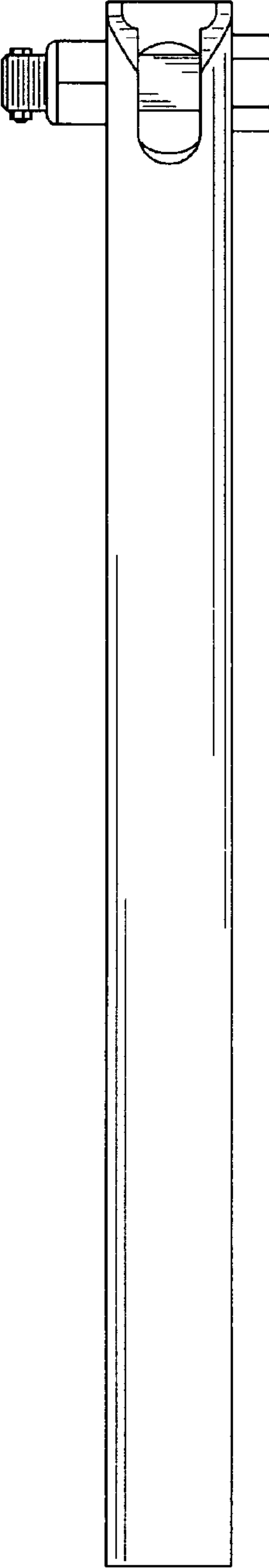
**Fig. 3**



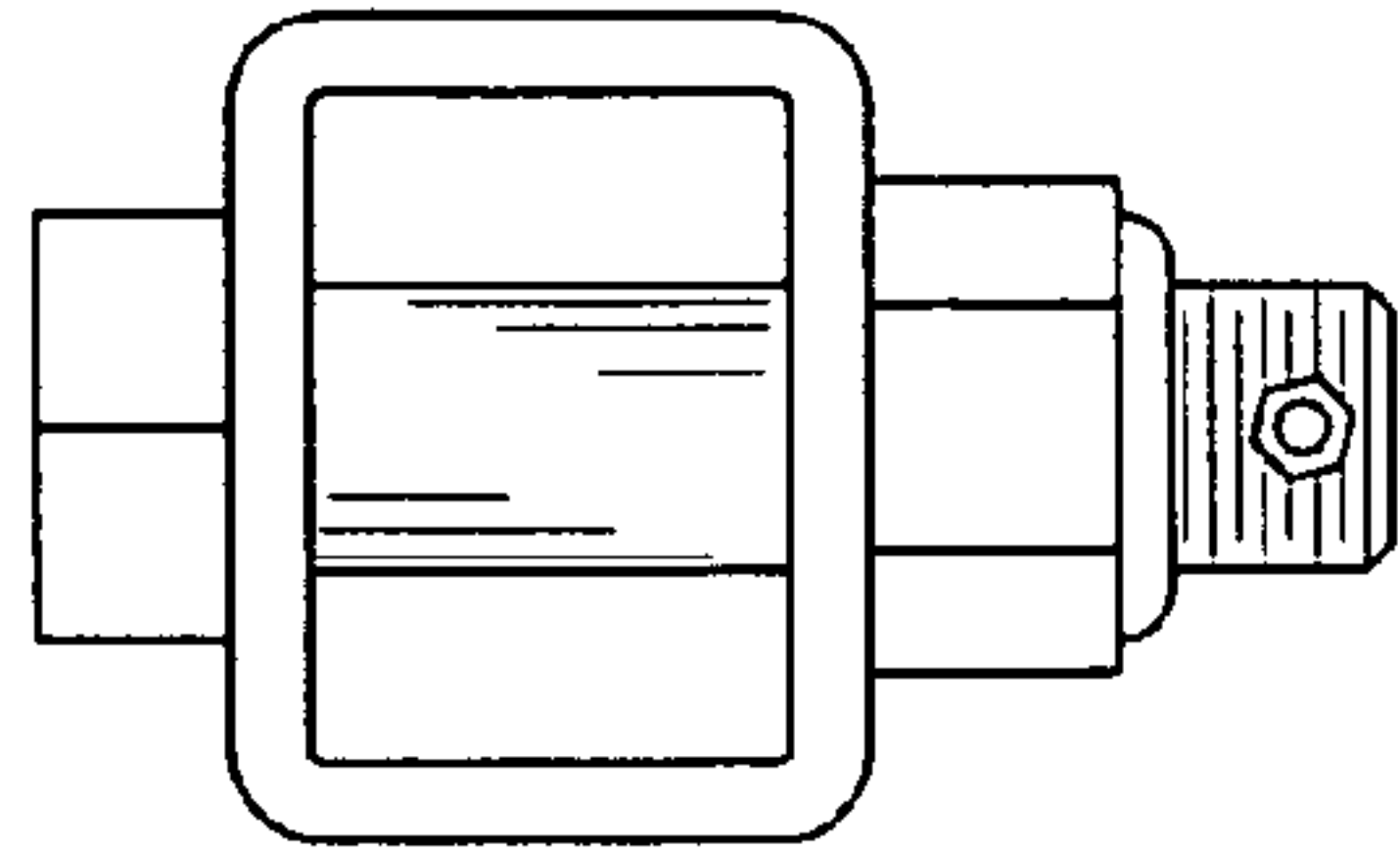
**Fig. 2**



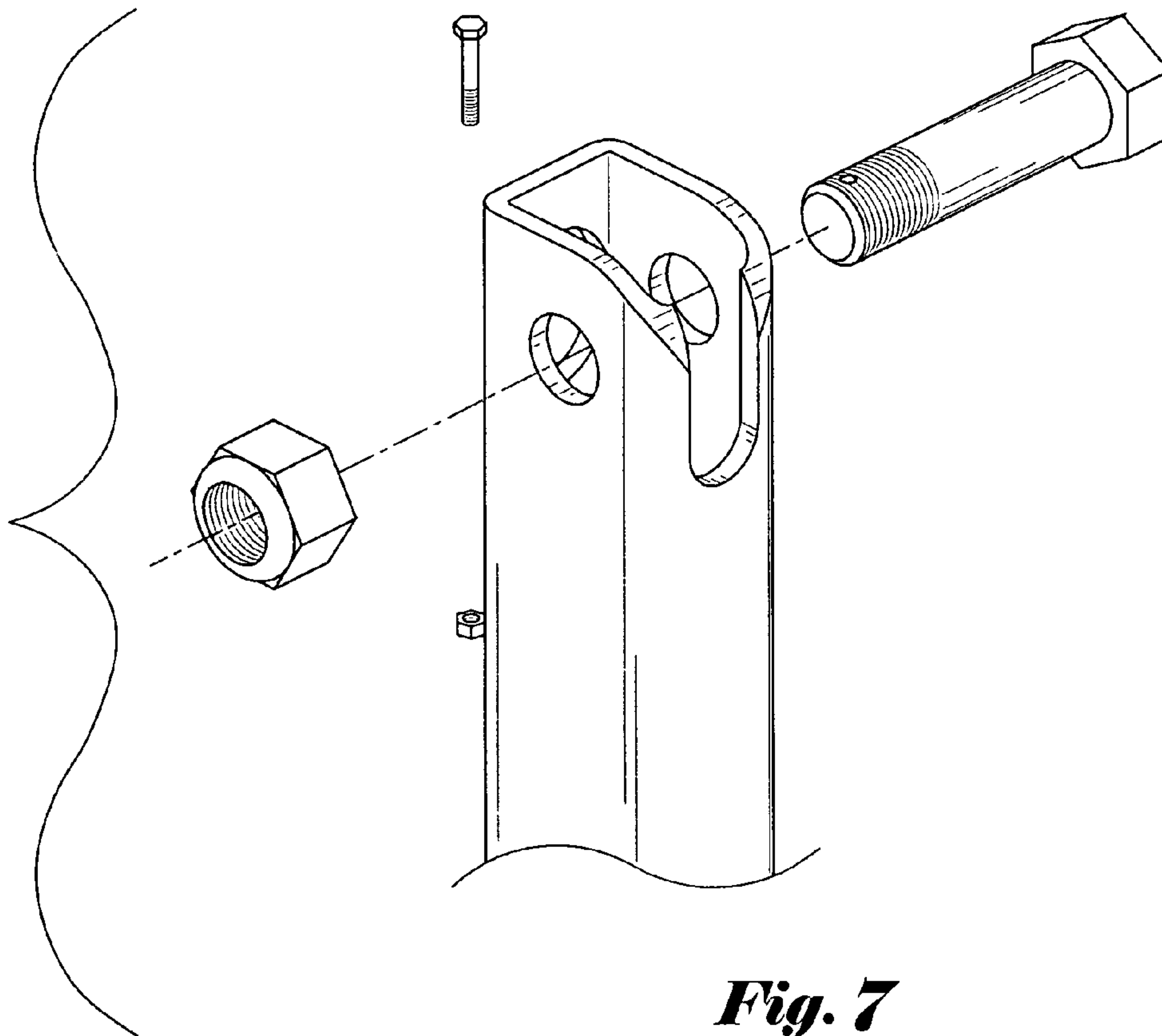
**Fig. 4**



**Fig. 5**



**Fig. 6**



**Fig. 7**