

US00D601773S

(12) **United States Design Patent**
Stark

(10) **Patent No.:** **US D601,773 S**
(45) **Date of Patent:** **** Oct. 6, 2009**

(54) **SURFACE CONFIGURATION OF A FORKLIFT, TOY, AND /OR OTHER REPLICAS**

(75) Inventor: **Stefan Stark**, Ludwigsburg (DE)

(73) Assignee: **Dr. Ing. h.c.F. Porsche Aktiengesellschaft**, Stuttgart (DE)

(**) Term: **14 Years**

(21) Appl. No.: **29/320,386**

(22) Filed: **Jun. 26, 2008**

Related U.S. Application Data

(62) Division of application No. 29/262,022, filed on Jun. 26, 2006, now Pat. No. Des. 575,923.

Foreign Application Priority Data

Dec. 26, 2005	(EM)	000453964-0001
Dec. 26, 2005	(EM)	000453964-0002
Dec. 26, 2005	(EM)	000453964-0003
Dec. 26, 2005	(EM)	000453964-0004
Dec. 26, 2005	(EM)	000453964-0005
Dec. 26, 2005	(EM)	000453964-0006
Dec. 26, 2005	(EM)	000453964-0007
Dec. 26, 2005	(EM)	000453964-0008

(51) **LOC (9) Cl.** **12-05**

(52) **U.S. Cl.** **D34/34**

(58) **Field of Classification Search** D34/34;
187/222, 237, 238; 414/631; 180/89.12,
180/89.13, 89.17

See application file for complete search history.

(56) **References Cited**

U.S. PATENT DOCUMENTS

D271,151 S	10/1983	Kirby et al.
D327,356 S	6/1992	Laatsch
5,184,699 A	2/1993	Aoki et al.

D346,259 S	4/1994	Laatsch
D353,931 S	12/1994	Kobayakawa et al.
D354,604 S	1/1995	Soederberg
5,524,721 A	6/1996	Yamauchi
5,580,451 A	12/1996	Hincks
D386,877 S	11/1997	Russey et al.
D393,134 S	3/1998	Mariano
D393,516 S	4/1998	Hahn et al.
D396,928 S	8/1998	Hahn et al.
5,881,842 A	3/1999	Kikukawa
D411,681 S	6/1999	Murakami et al.
D412,385 S	7/1999	Murakami et al.
D427,409 S	6/2000	Sato et al.
D448,136 S	9/2001	Yurushi et al.
D452,598 S	12/2001	Sato
D466,268 S	11/2002	Kraimer et al.
D466,669 S	12/2002	Kraimer et al.

(Continued)

Primary Examiner—Cynthia E Ramirez

(74) *Attorney, Agent, or Firm*—RatnerPrestia

(57) **CLAIM**

The ornamental design for a surface configuration of a forklift, toy, and/or other replicas, as shown and described.

DESCRIPTION

This application is related to the following co-pending applications:

Application Ser. No. 29/262,038, entitled “Surface Configuration of a Forklift, Toy, and/or Other Replicas;” and

Application Ser. No. 29/262,037, entitled “Surface Configuration of a Forklift, Toy, and/or Other Replicas.”

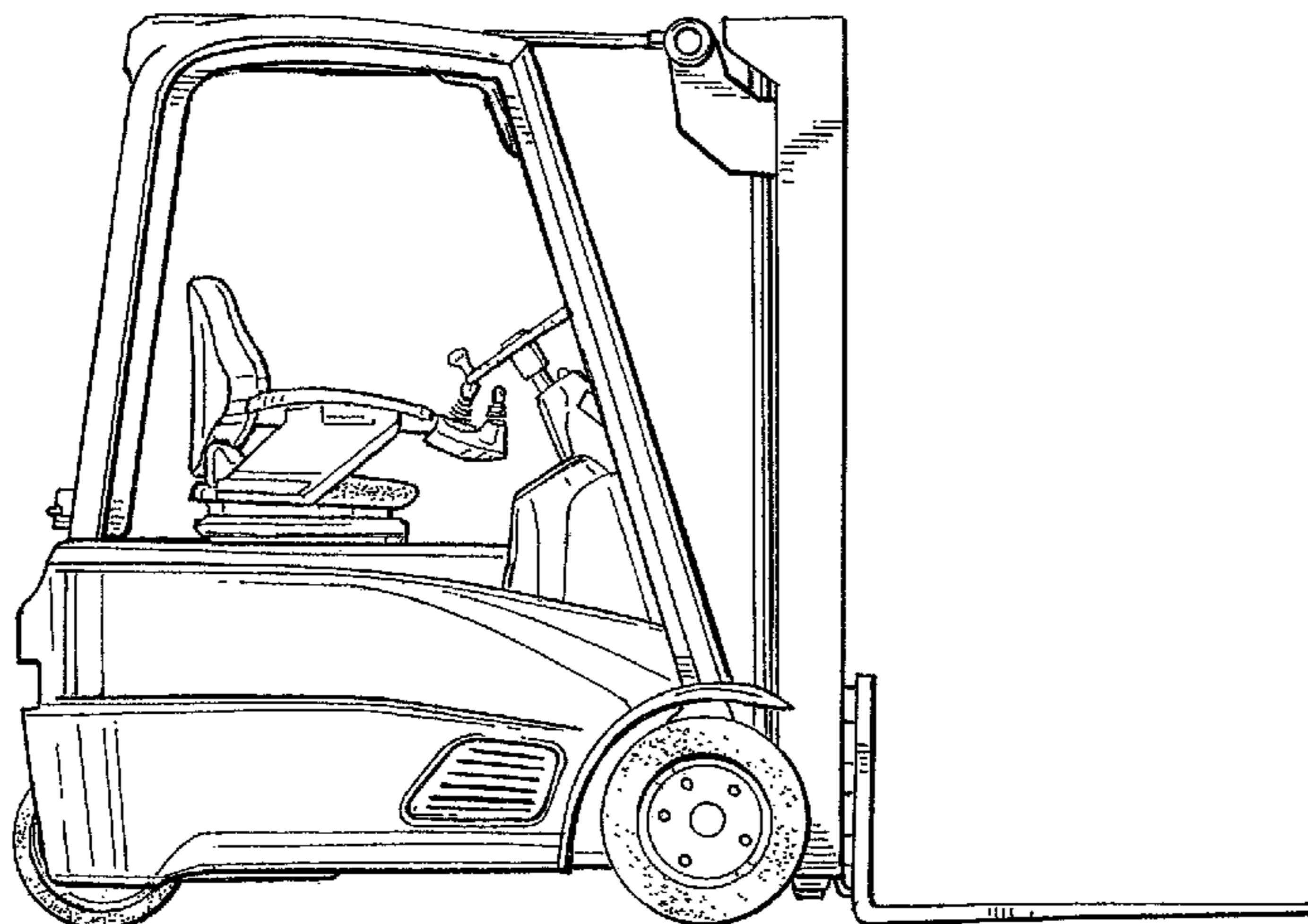
FIG. 1 is a right side view of a first embodiment of a surface configuration of a forklift, toy, and/or other replicas according to my novel design;

FIG. 2 is a left side view thereof;

FIG. 3 is a rear view thereof; and,

FIG. 4 is a front view thereof.

1 Claim, 2 Drawing Sheets



US D601,773 S

Page 2

U.S. PATENT DOCUMENTS

D468,885 S	1/2003	Salin et al.	D536,504 S	2/2007	Righi	
D469,236 S	1/2003	Mitsuyoshi et al.	D538,004 S	3/2007	Kouyama et al.	
D470,990 S	2/2003	Han et al.	D542,004 S	5/2007	Righi	
D471,339 S	3/2003	Mori	D542,503 S	5/2007	Righi	
D471,340 S	3/2003	Shibata et al.	D584,024 S *	12/2008	Stark	D34/34
D492,831 S	7/2004	Kouyama	D587,422 S *	2/2009	Stark	D34/34
D518,268 S	3/2006	Stark	D587,423 S *	2/2009	Stark	D34/34
D526,460 S	8/2006	Goto et al.	D587,424 S *	2/2009	Stark	D34/34

* cited by examiner

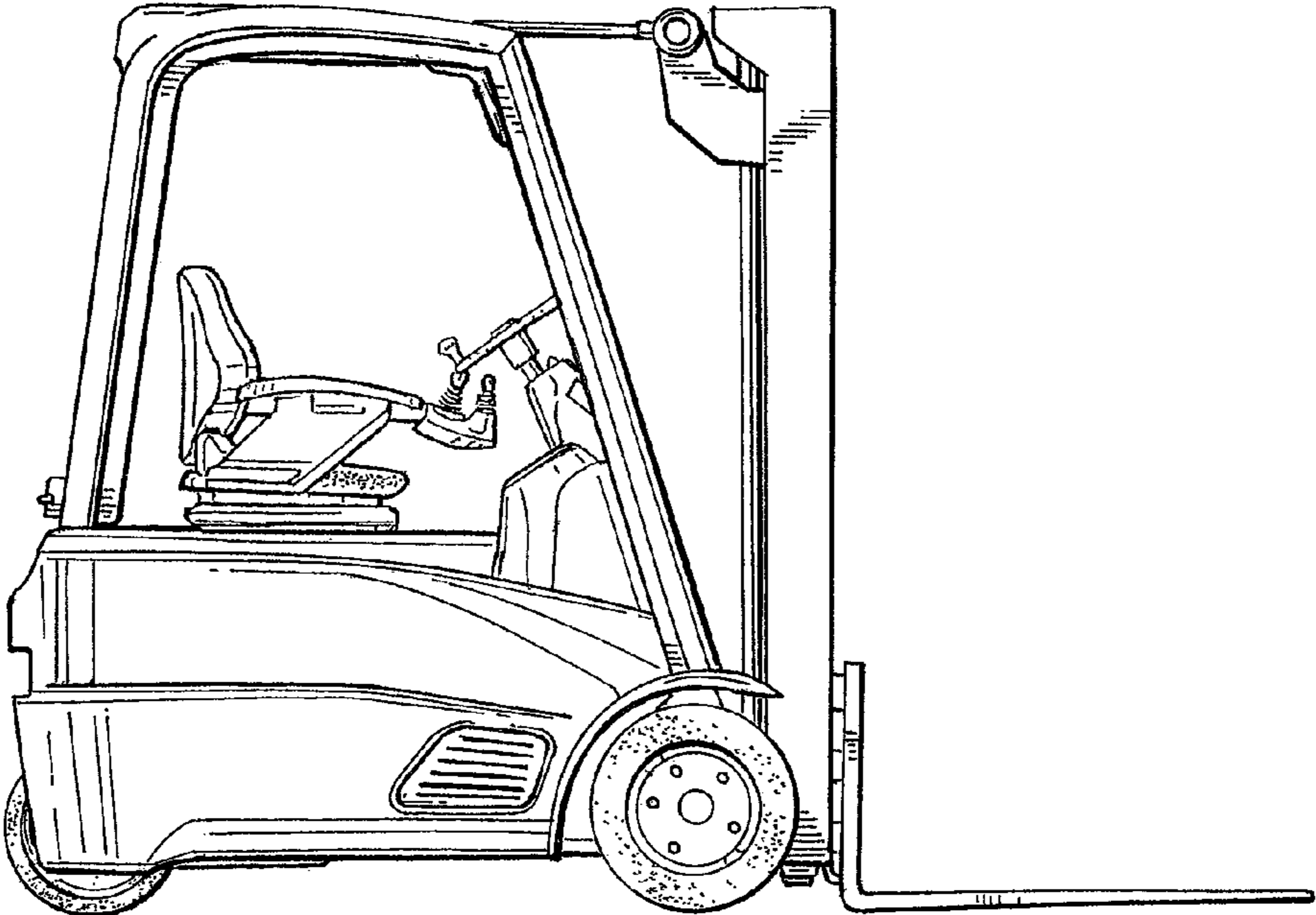


FIG. 1

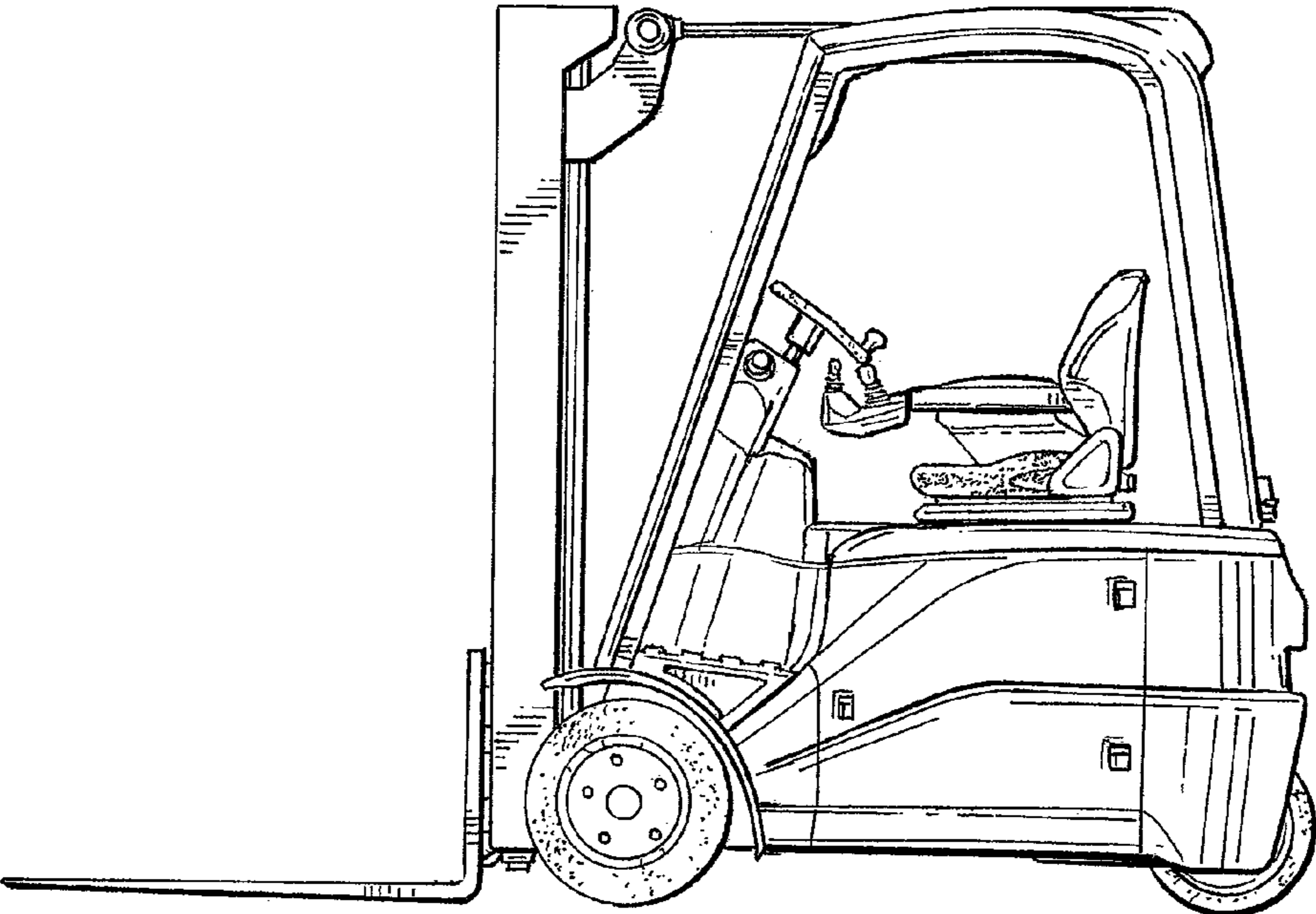


FIG. 2

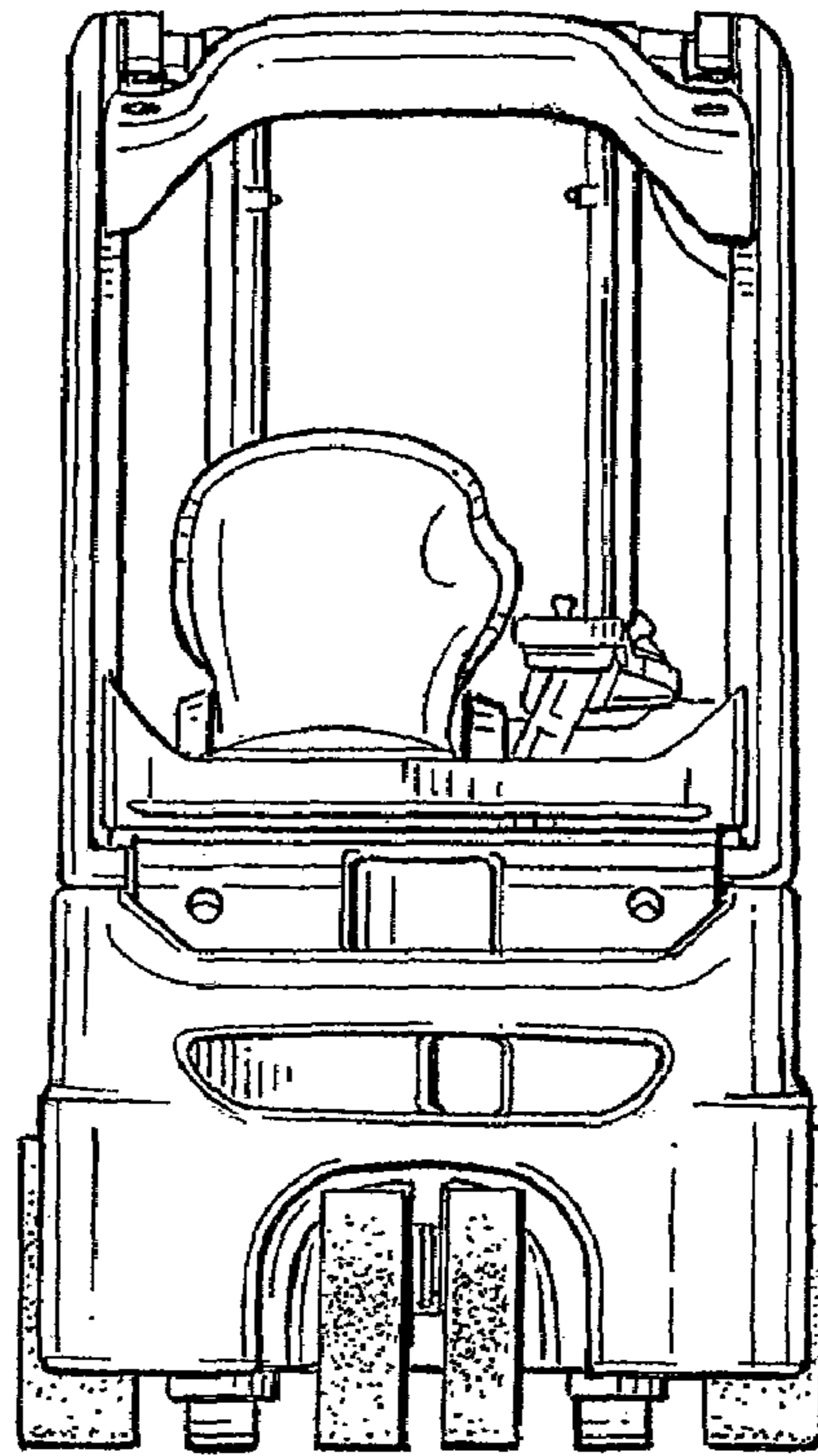


FIG. 3

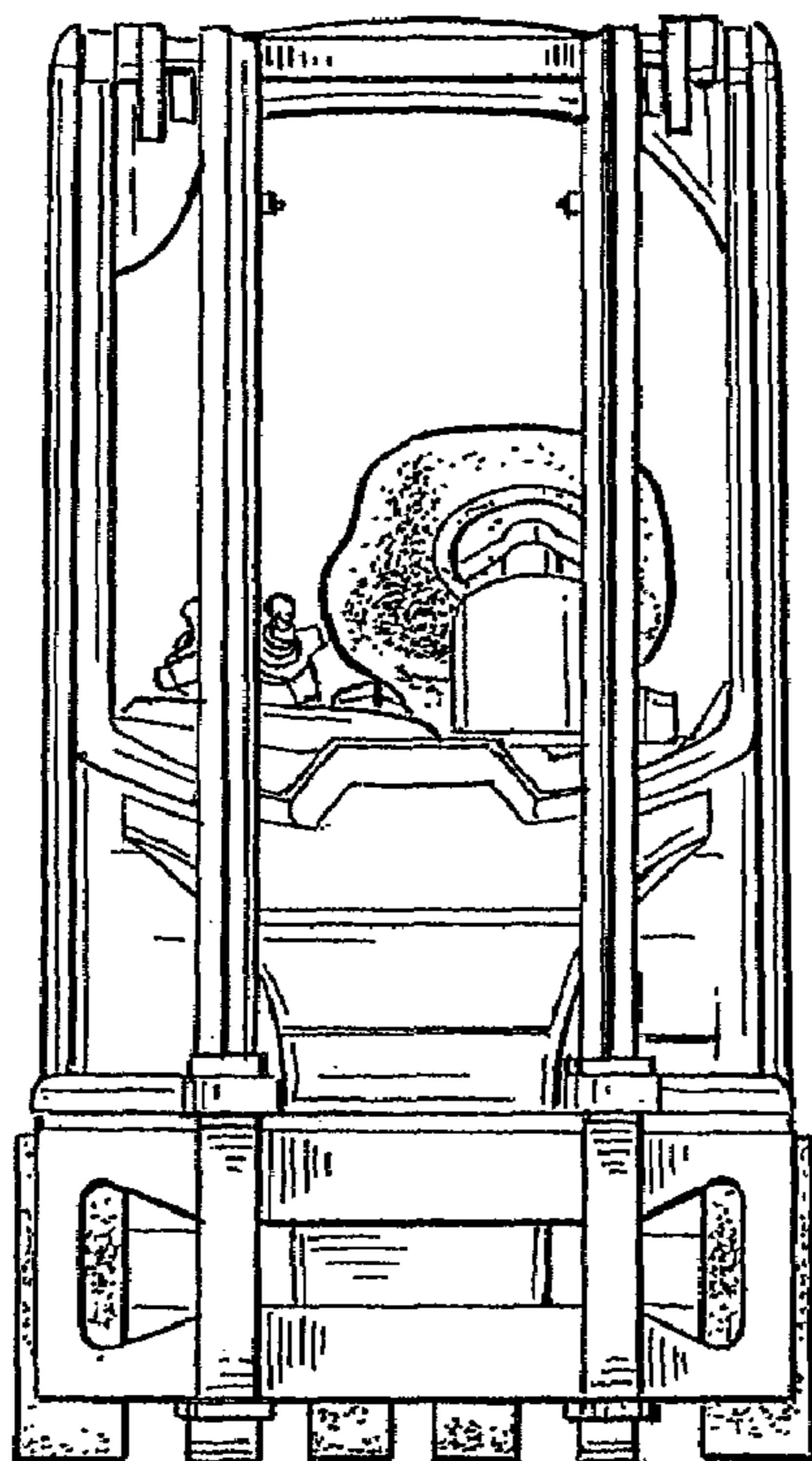


FIG. 4