



US00D601771S

(12) **United States Design Patent**
Lim et al.

(10) **Patent No.:** **US D601,771 S**

(45) **Date of Patent:** **** Oct. 6, 2009**

(54) **TRASH CAN**

(75) Inventors: **Young-Hee Lim**, Seoul (KR);
Kyoung-Soo Choi, Seongnam-Si (KR)

(73) Assignee: **Invenco Inc.**, Seoul (KR)

(**) Term: **14 Years**

(21) Appl. No.: **29/328,325**

(22) Filed: **Nov. 21, 2008**

(51) **LOC (9) Cl.** **09-09**

(52) **U.S. Cl.** **D34/11**

(58) **Field of Classification Search** D34/1,
D34/5, 6, 7, 8, 9, 10, 11; 220/908, 908.1,
220/909, 910, 911, 200

See application file for complete search history.

(56) **References Cited**

U.S. PATENT DOCUMENTS

D201,526 S *	6/1965	Martino et al.	D34/8
4,358,994 A *	11/1982	Talley	100/45
D355,739 S *	2/1995	Bird et al.	D34/1
D360,062 S *	7/1995	Mosior	D24/131
D398,726 S *	9/1998	Presnell et al.	D34/10
D407,881 S *	4/1999	Delmerico	D34/11
D566,924 S *	4/2008	Shek	D34/11
D584,467 S *	1/2009	Tuncel	D34/7

D586,067 S *	2/2009	Tuncel	D34/7
D591,472 S *	4/2009	Zang Wentz Pho	D34/11
2008/0237234 A1 *	10/2008	Yang et al.	220/263

* cited by examiner

Primary Examiner—Cynthia E Ramirez

(74) *Attorney, Agent, or Firm*—Lowe Hauptman Ham & Berner

(57) **CLAIM**

The ornamental design for a trash can, as shown and described.

DESCRIPTION

FIG. 1 is a perspective view of a trash can in accordance with an embodiment of the present invention;

FIG. 2 is a front elevational view thereof;

FIG. 3 is a rear elevational view thereof;

FIG. 4 is a left side elevational view thereof;

FIG. 5 is a right side elevational view thereof;

FIG. 6 is a top plan view thereof; and,

FIG. 7 is a bottom plan view thereof.

The broken lines shown in the drawings are included for the purpose of illustrating environmental structures and form no part of the claimed design.

1 Claim, 7 Drawing Sheets

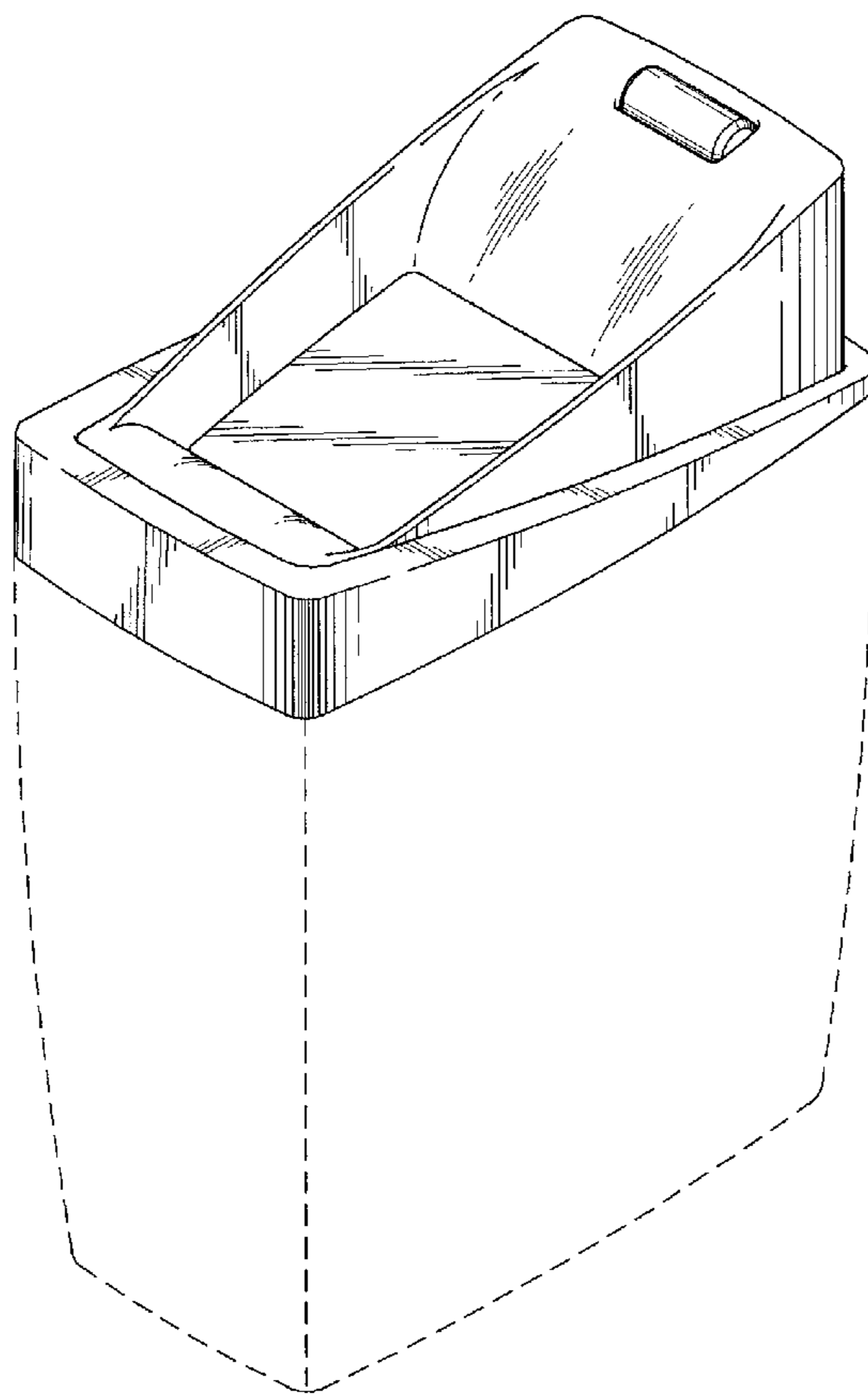


Fig.1

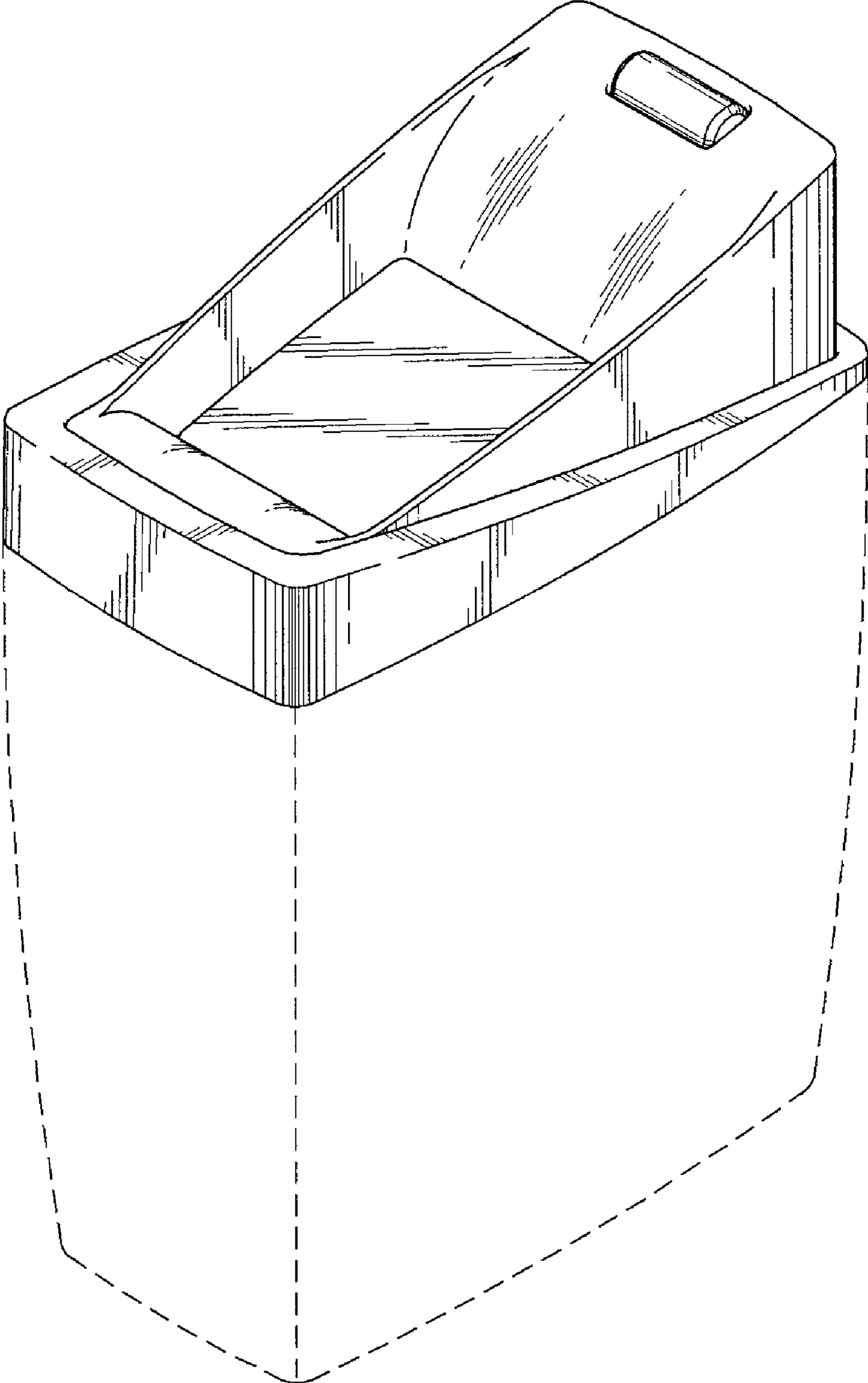


Fig.2

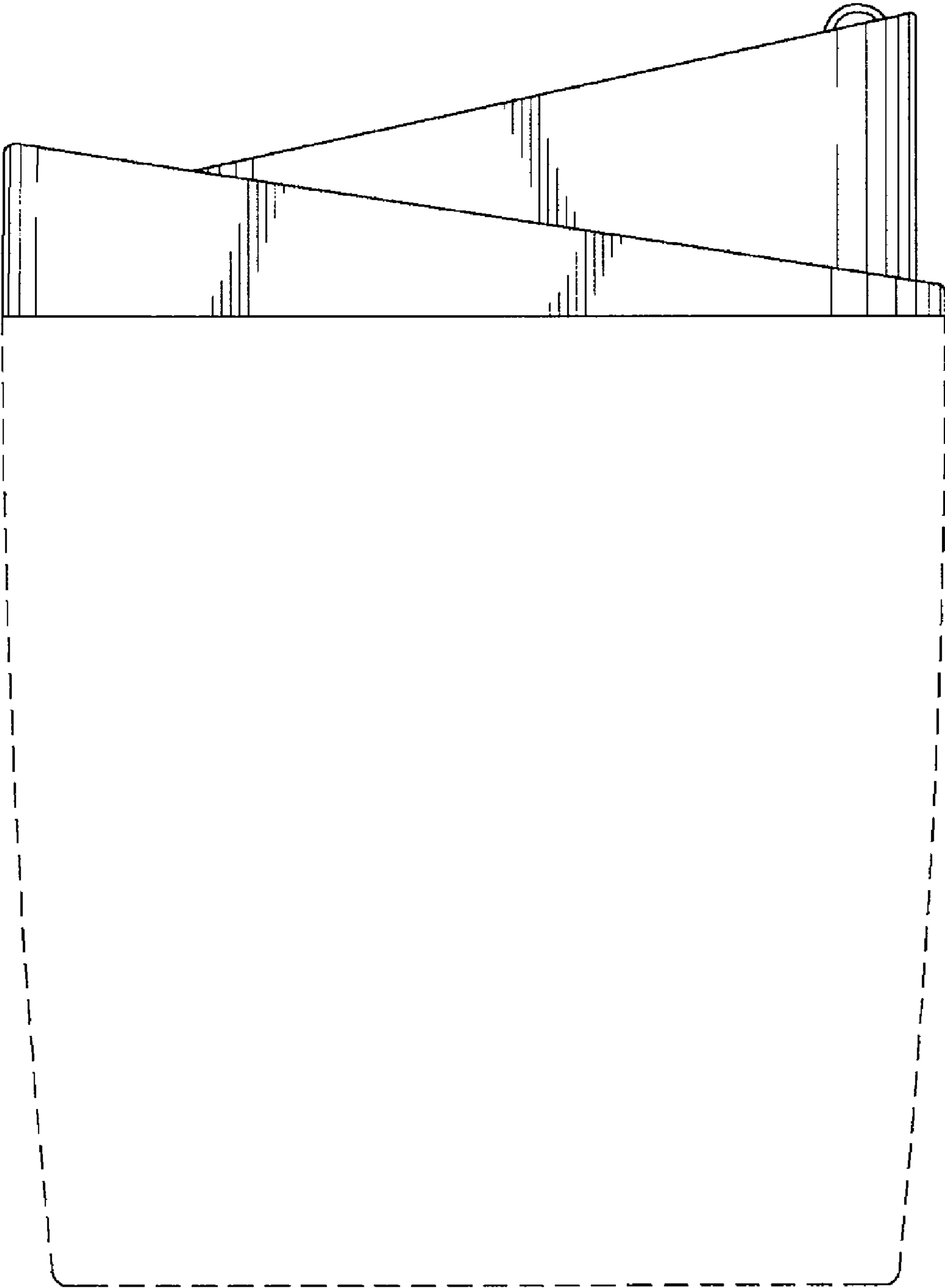


Fig.3

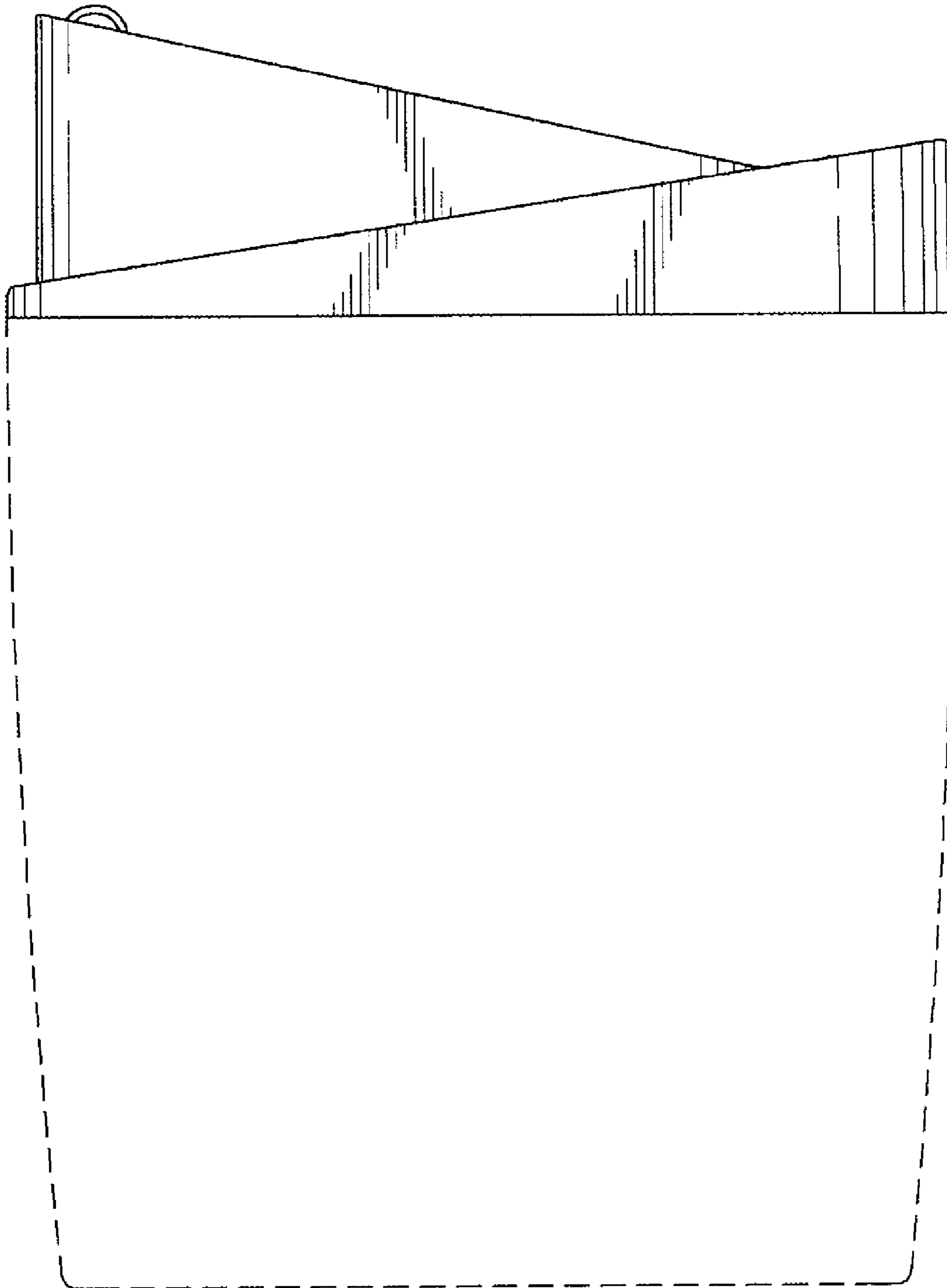


Fig.4

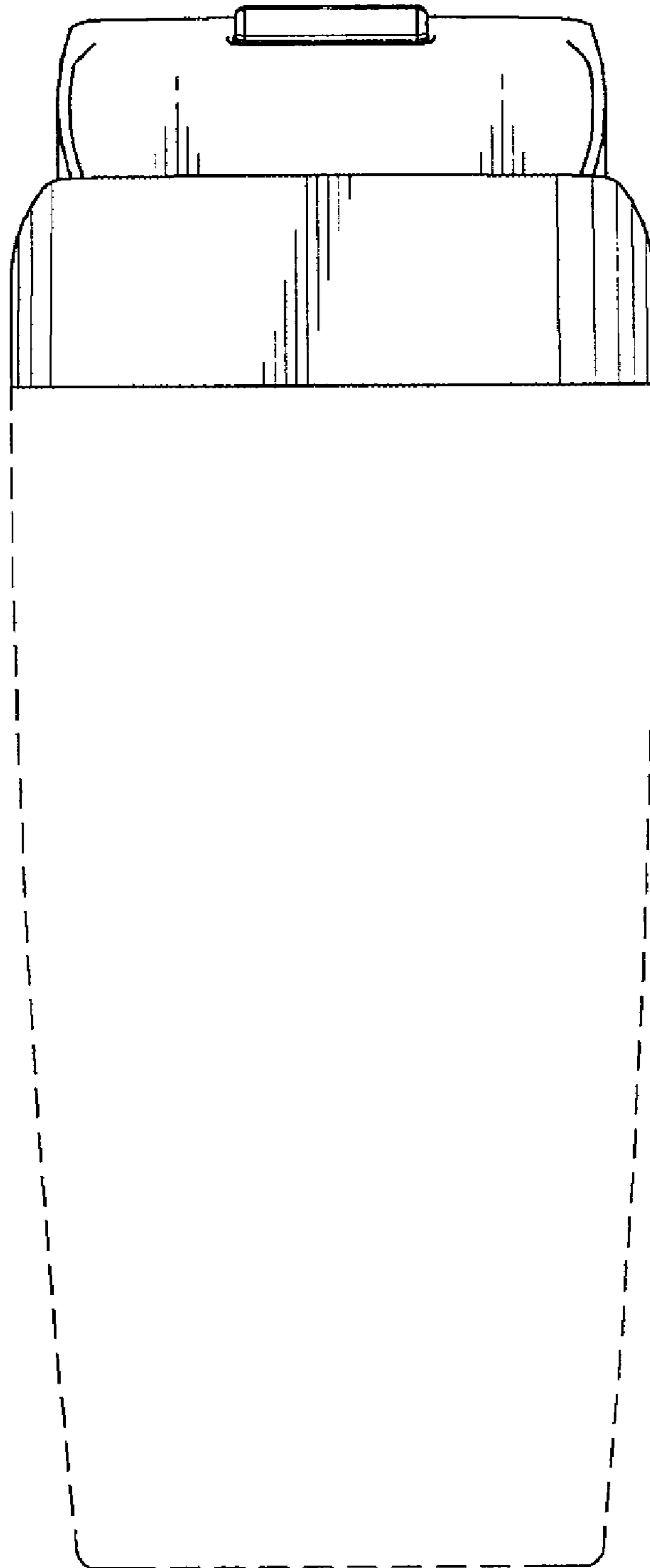


Fig.5

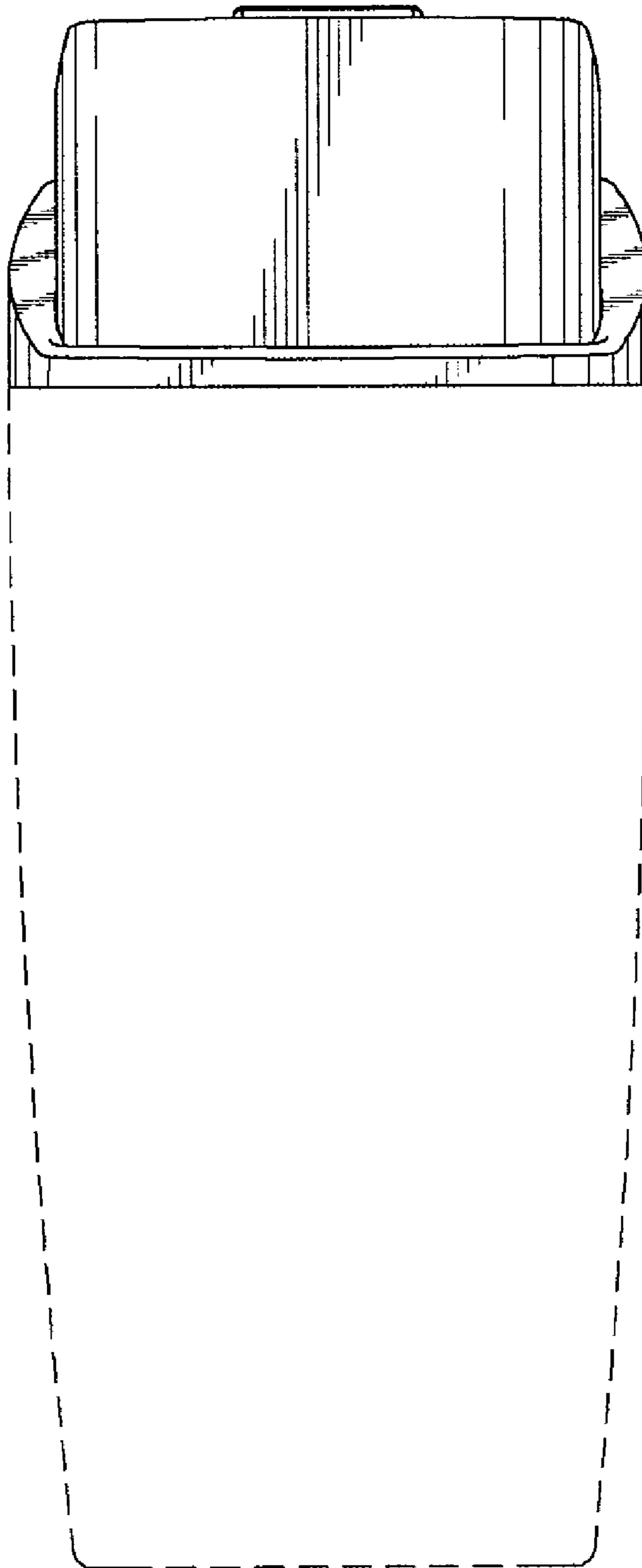


Fig.6

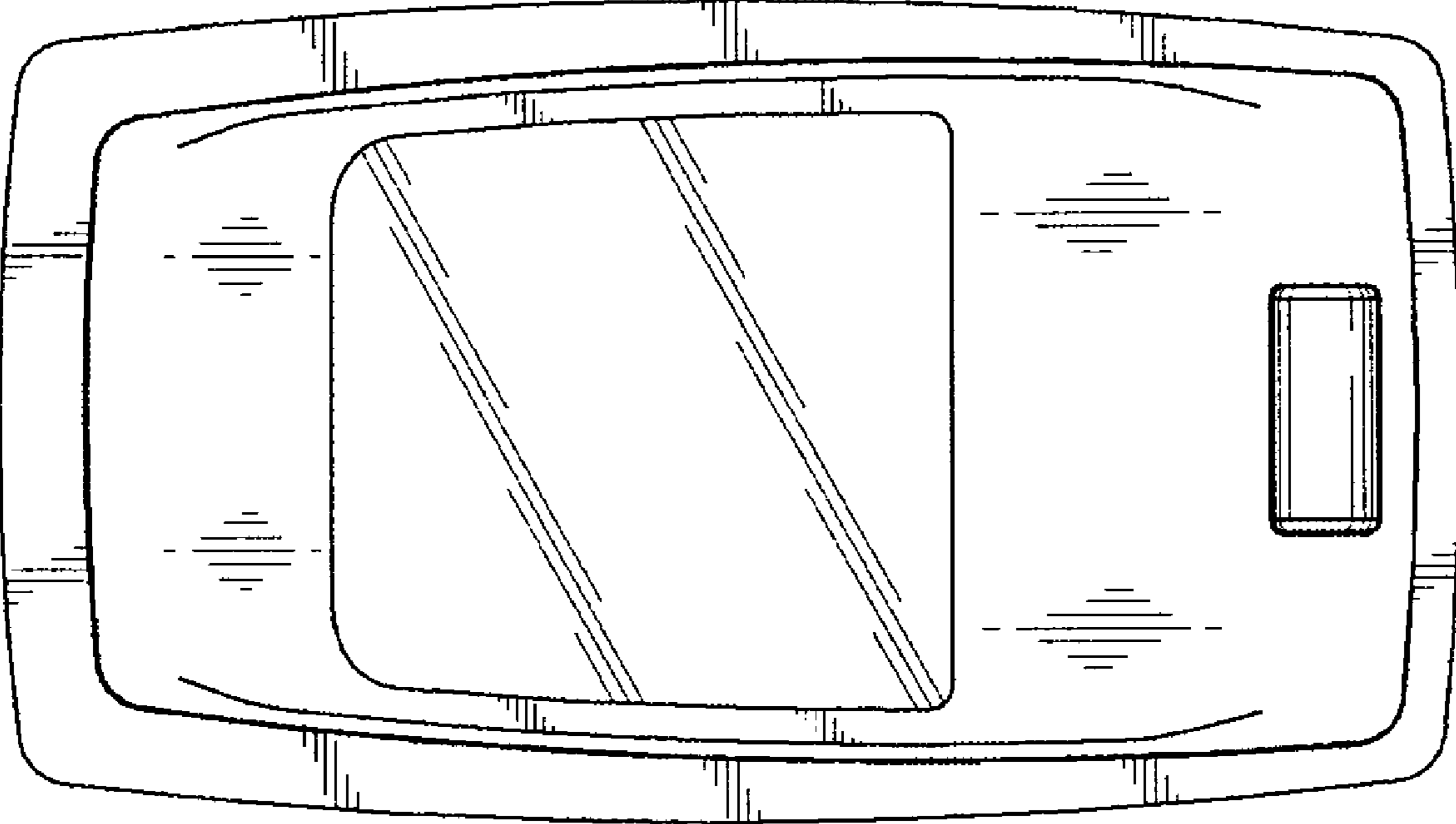


Fig.7

