



US00D601770S

(12) **United States Design Patent**
Skalka

(10) **Patent No.:** **US D601,770 S**

(45) **Date of Patent:** **** Oct. 6, 2009**

(54) **TRASH CAN RECEPTACLE**

(75) Inventor: **Gerald Skalka**, Potomac, MD (US)

(73) Assignee: **Victor Stanley, Inc.**, Dunkirk, MD (US)

(**) Term: **14 Years**

(21) Appl. No.: **29/309,846**

(22) Filed: **Oct. 24, 2008**

(51) **LOC (9) Cl.** **09-09**

(52) **U.S. Cl.** **D34/1; D34/5**

(58) **Field of Classification Search** D34/1,
D34/5, 6, 7, 8, 9, 10, 11; 220/908, 908.1,
220/910, 911

See application file for complete search history.

(56) **References Cited**

U.S. PATENT DOCUMENTS

1,080,470	A	12/1913	Nutter et al.	
D299,773	S	2/1989	Kracke	
D304,253	S	10/1989	Skalka	
D304,632	S	11/1989	Skalka	
4,955,497	A	9/1990	Winden et al.	
D335,729	S	5/1993	Brussing	
D343,709	S	1/1994	Doty et al.	
D424,769	S	5/2000	Hornyak	
D441,932	S	5/2001	Skalka	
D445,982	S	7/2001	Skalka	
D450,166	S	11/2001	Skalka	
D452,760	S	1/2002	Skalka	
D454,238	S	3/2002	Skalka	
D457,703	S *	5/2002	Tolar D34/7
D458,431	S	6/2002	Skalka	
D476,454	S	6/2003	Skalka	
D476,455	S	6/2003	Skalka	
D483,537	S *	12/2003	Skalka D34/1

D483,538	S	12/2003	Skalka	
D487,177	S	2/2004	Skalka	
D487,537	S	3/2004	Skalka	
D487,538	S	3/2004	Skalka	
D542,993	S *	5/2007	Skalka D34/1
D555,863	S *	11/2007	Weiss D34/7

* cited by examiner

Primary Examiner—Cynthia E Ramirez

(74) *Attorney, Agent, or Firm*—Jacobson Holman PLLC

(57) **CLAIM**

The ornamental design for a trash can receptacle, as shown and described.

DESCRIPTION

FIG. 1 is an isometric view of a trash can receptacle showing my new design, with the door in a closed position.

FIG. 2 is an isometric view of the trash can receptacle of FIG. 1, showing the door in an open position.

FIG. 3 is a left side elevational view of the trash can receptacle of FIG. 1.

FIG. 4 is a front elevational view of the trash can receptacle of FIG. 1.

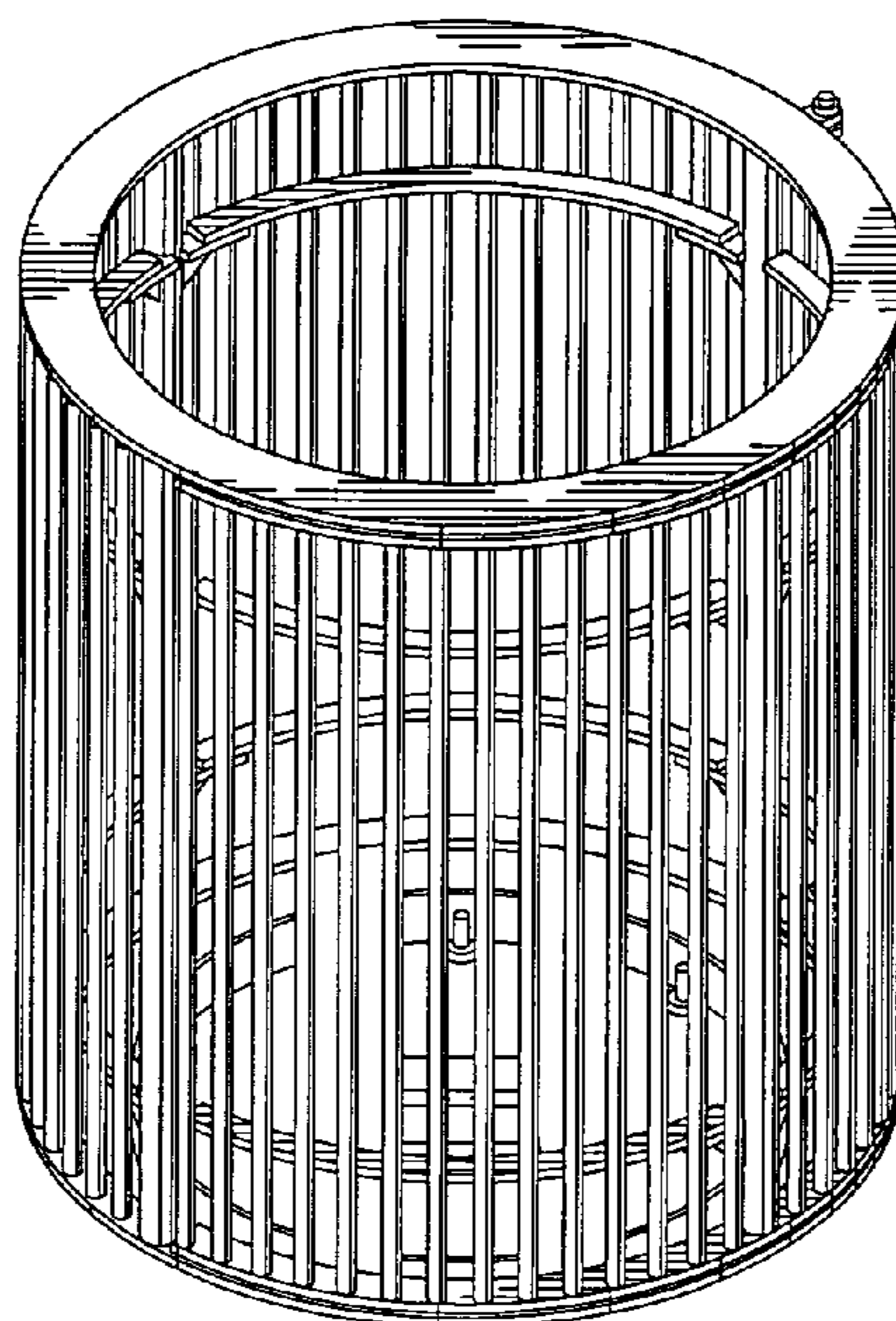
FIG. 5 is a right side elevational view of the trash can receptacle of FIG. 1.

FIG. 6 is a back elevational view of the trash can receptacle of FIG. 1.

FIG. 7 is a top plan view of the trash can receptacle of FIG. 1; and,

FIG. 8 is a bottom plan view of the trash can receptacle of FIG. 1.

1 Claim, 4 Drawing Sheets



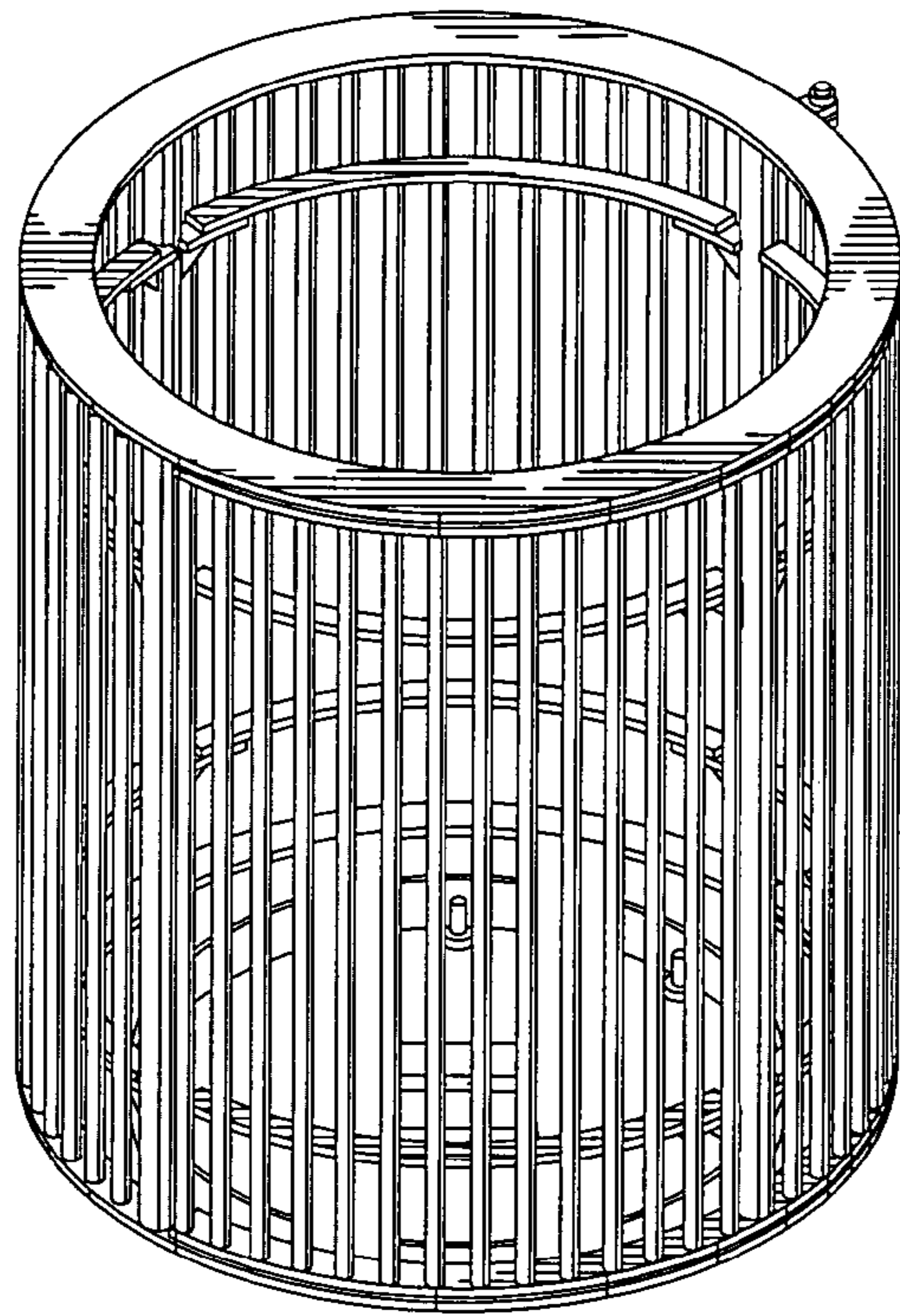


FIG. 1

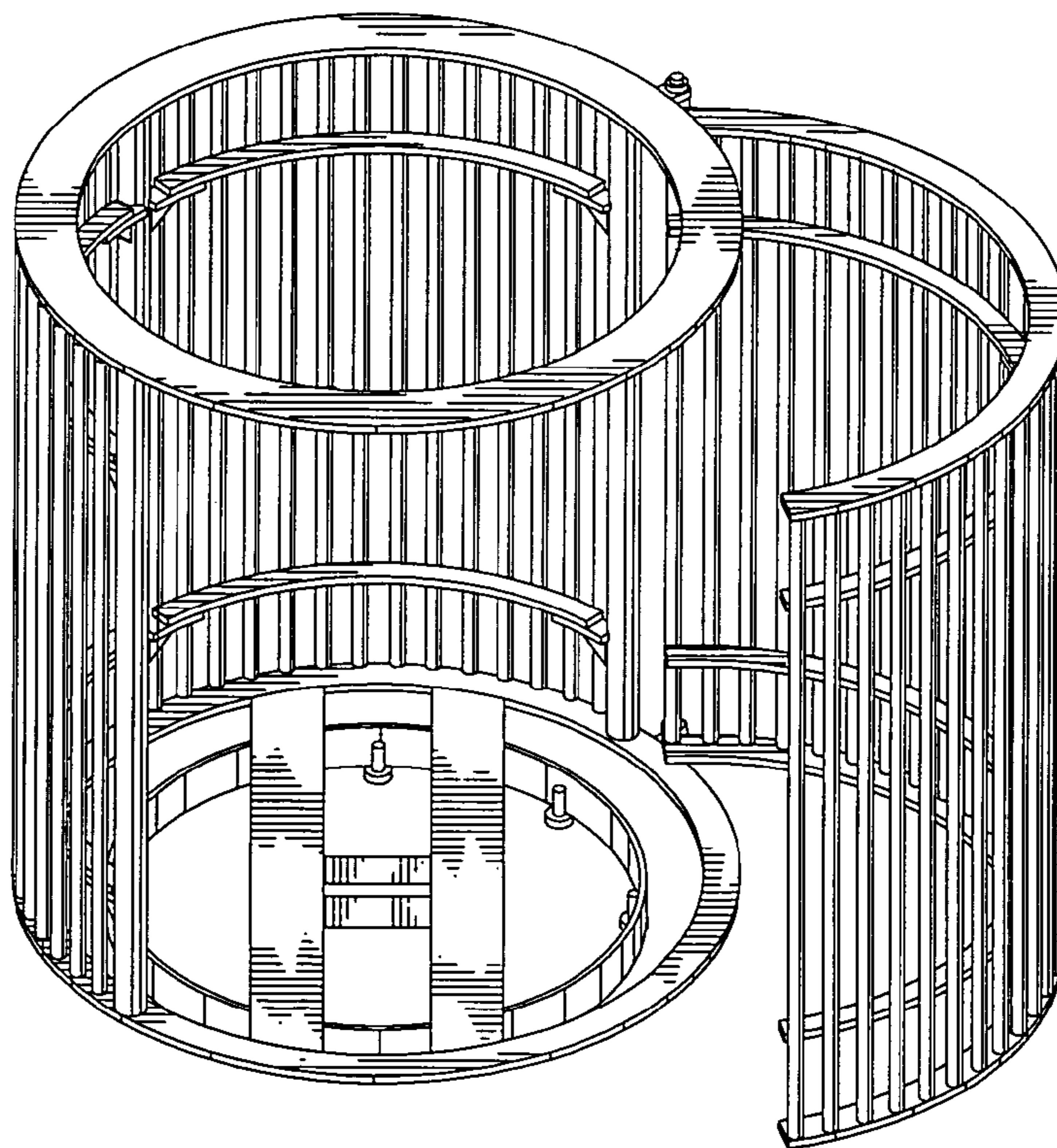


FIG. 2

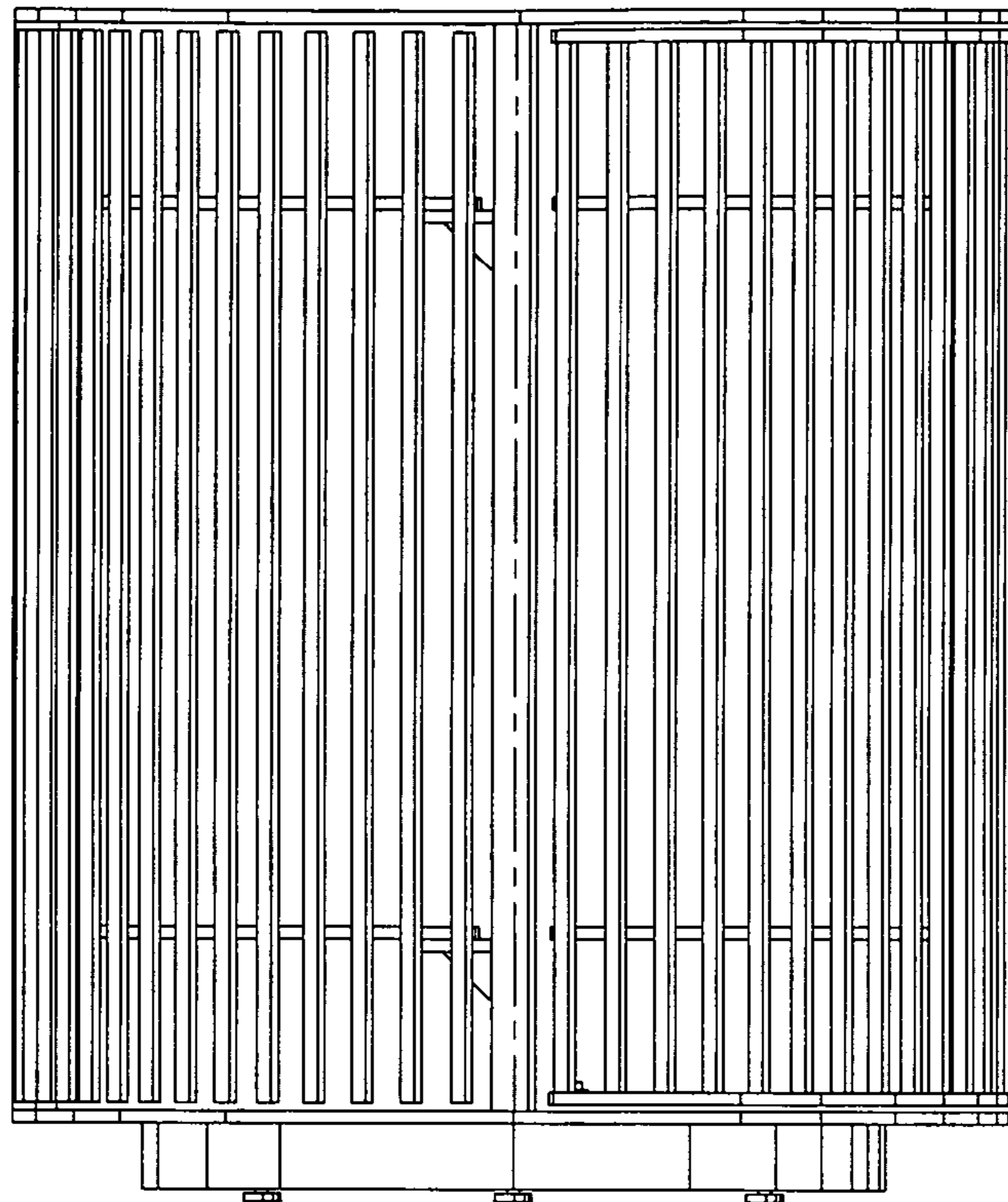


FIG. 3

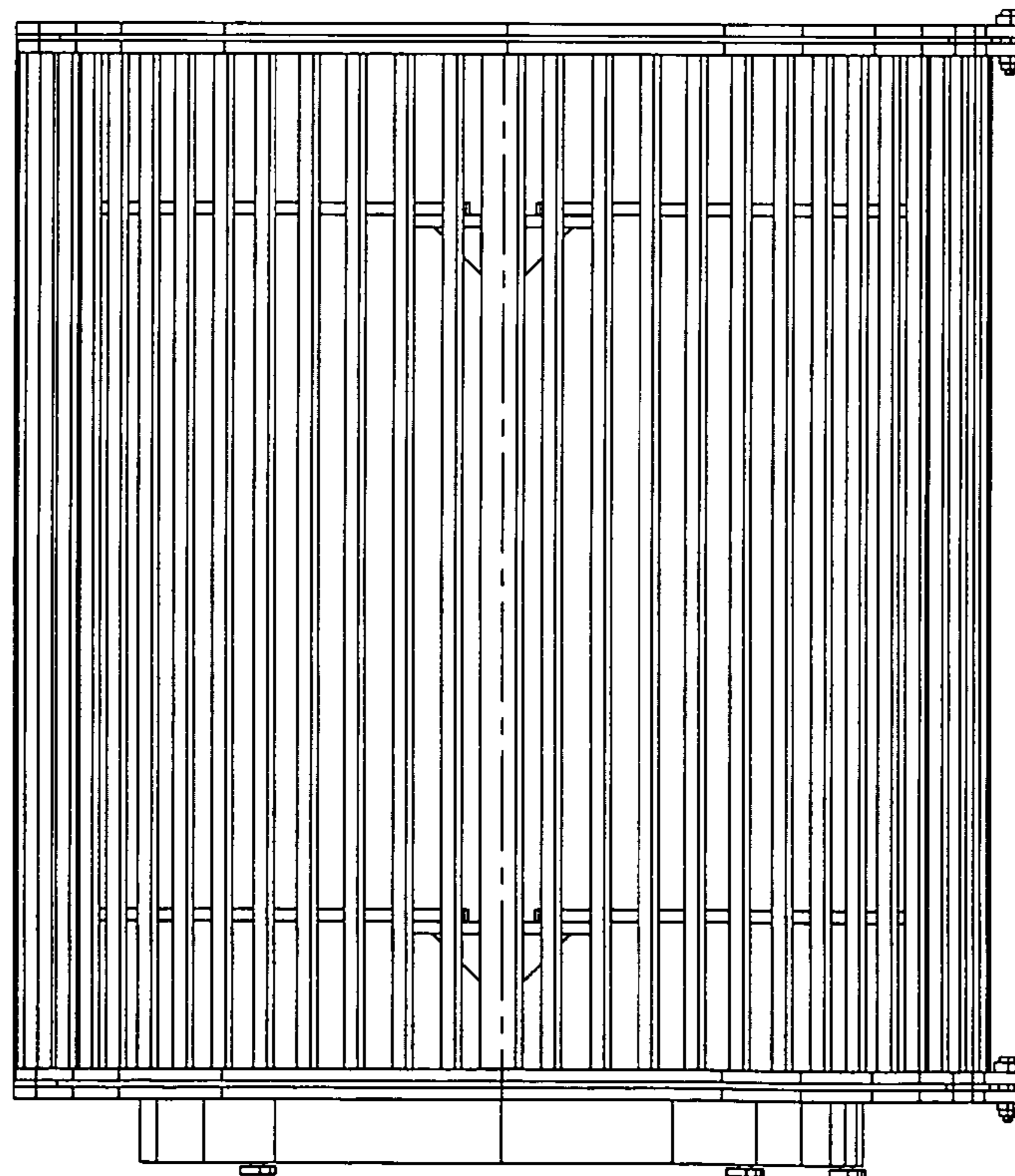


FIG. 4

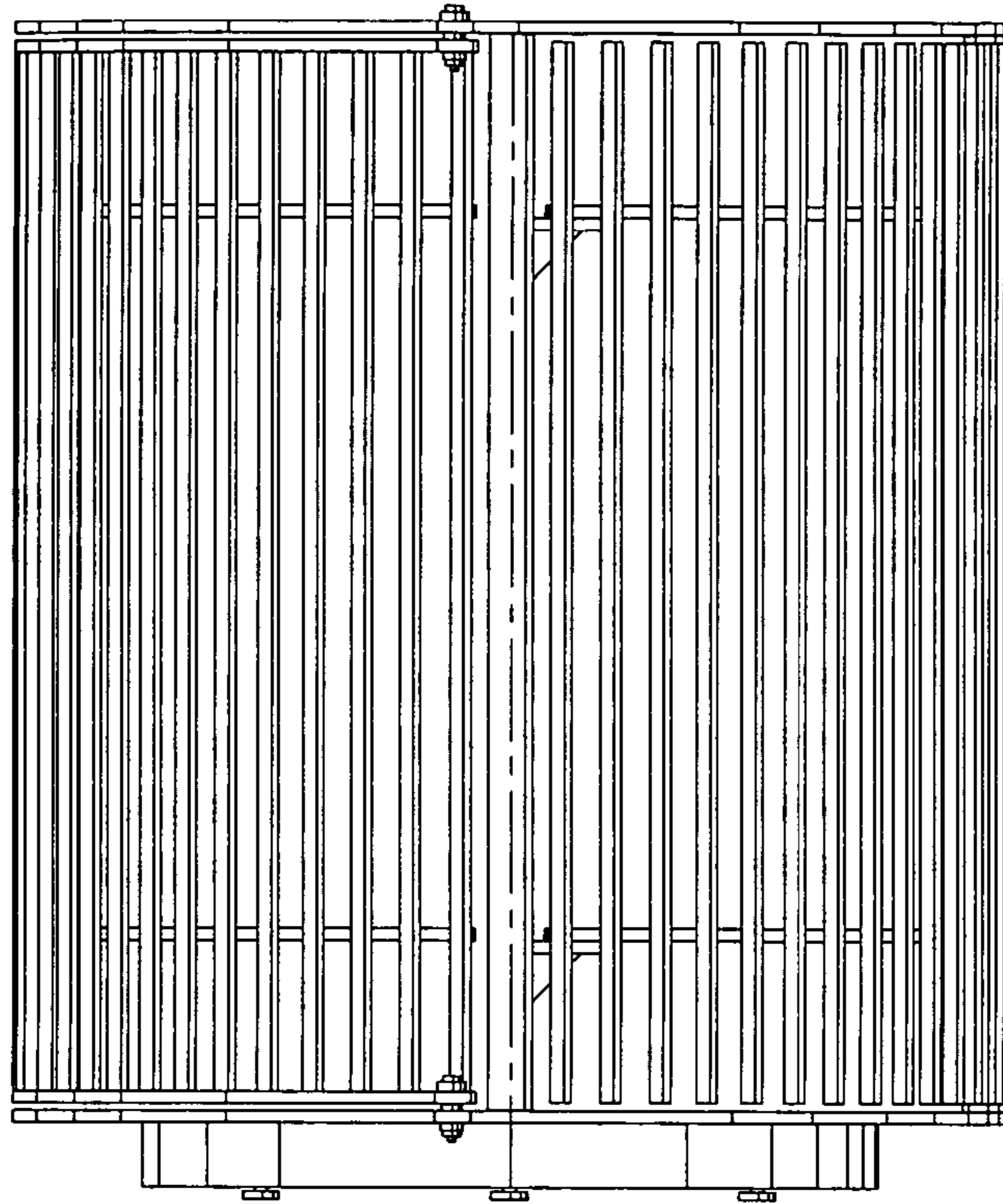


FIG. 5

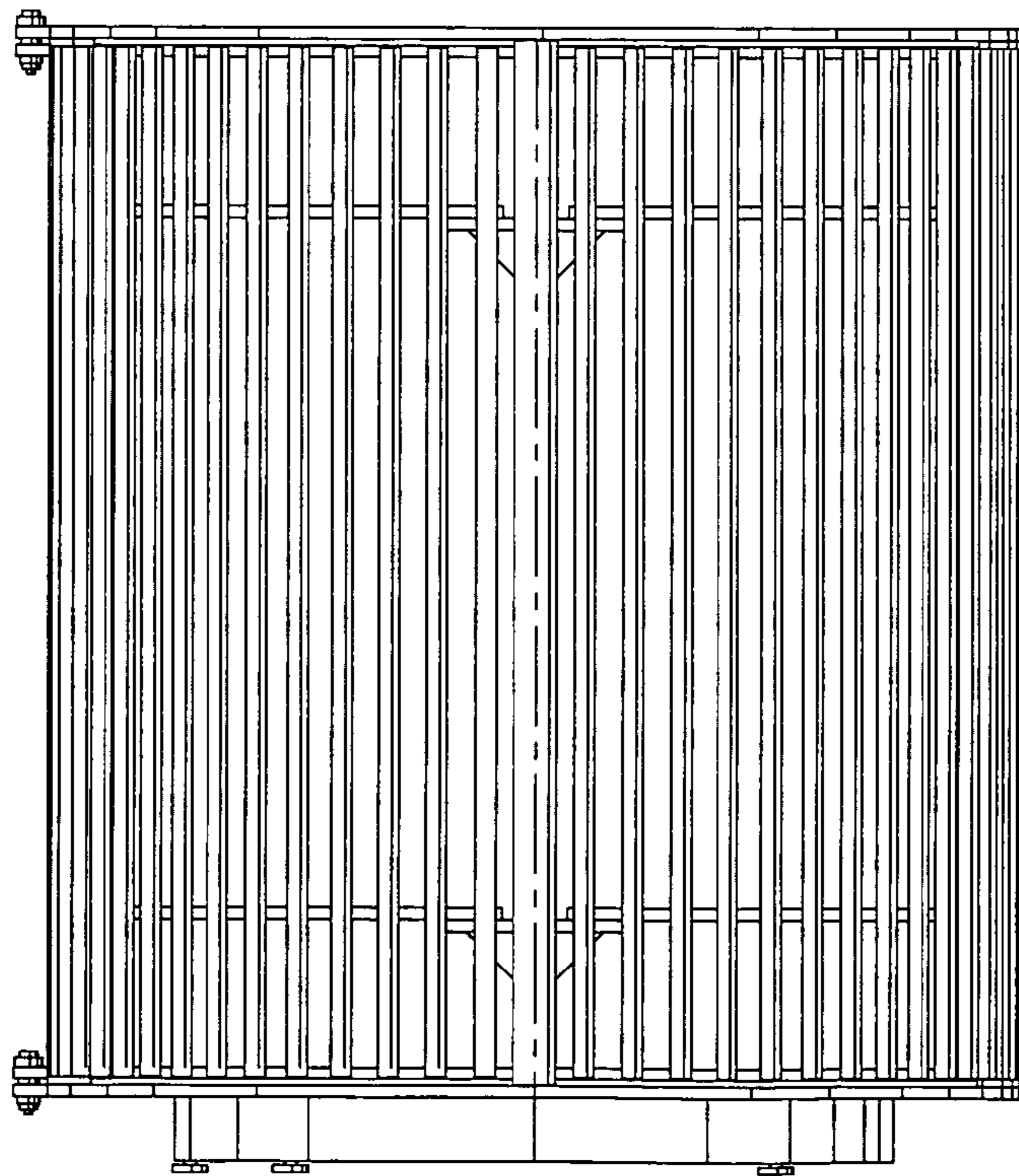


FIG. 6

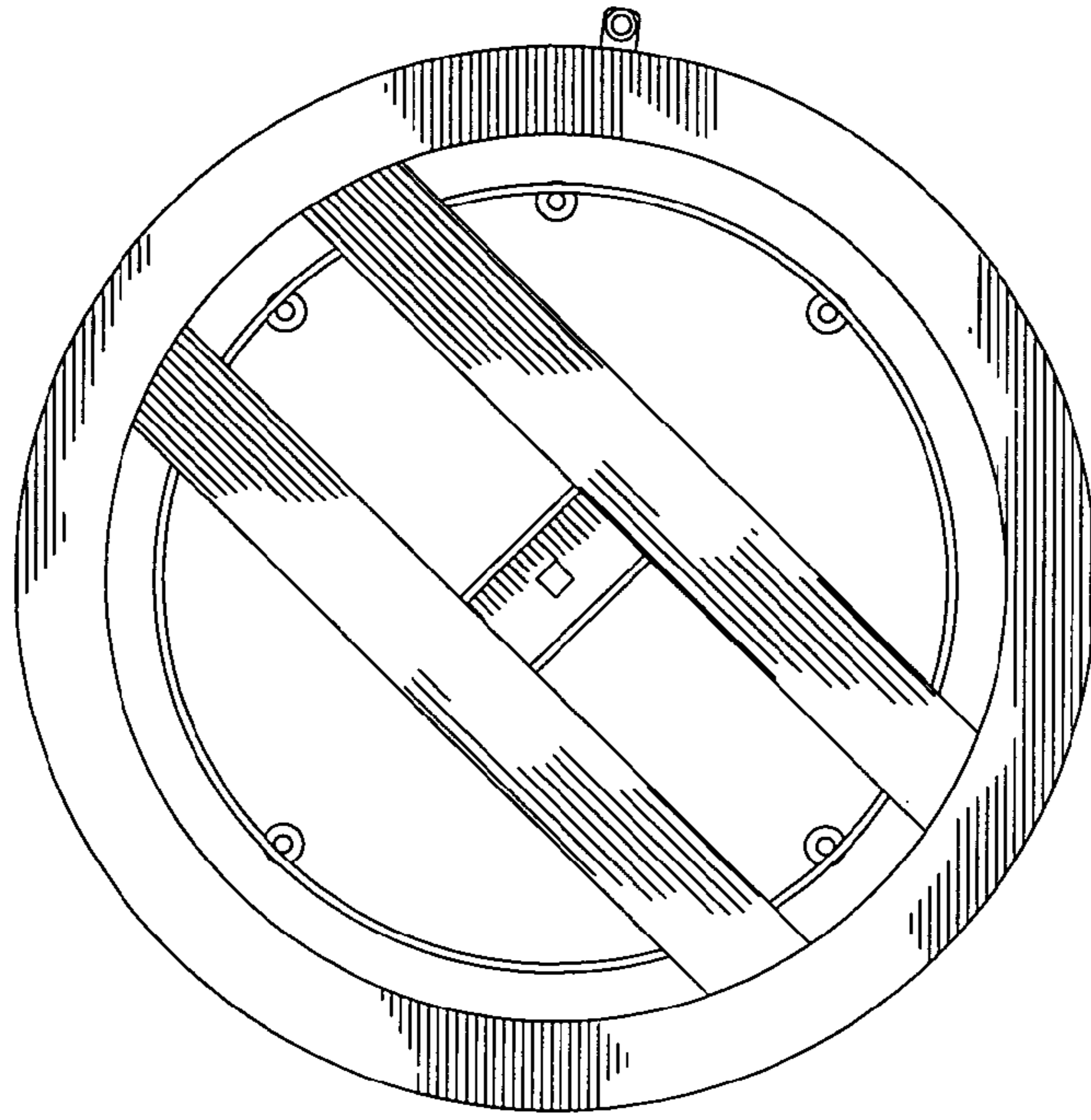


FIG. 7

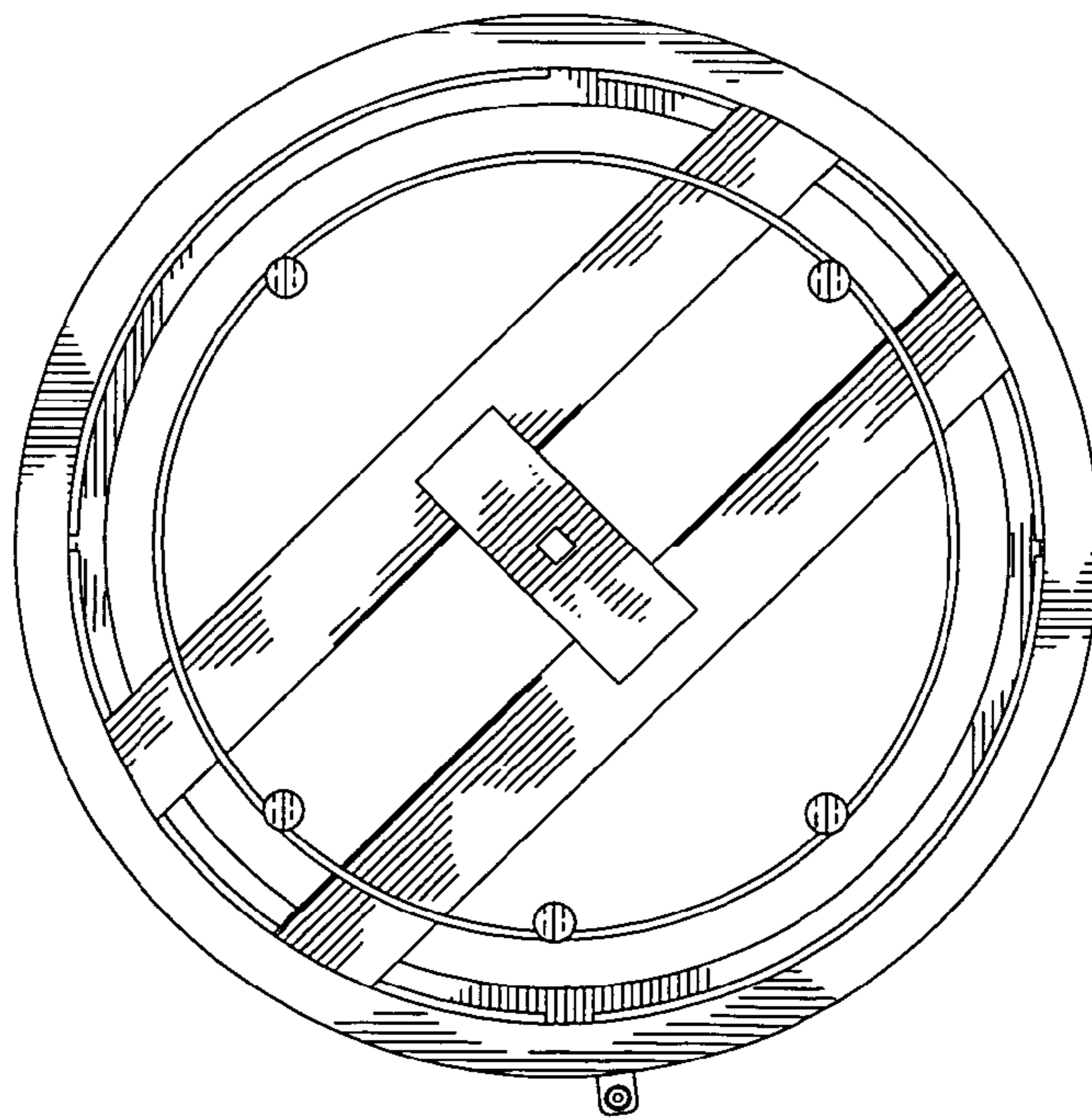


FIG. 8