



US00D601769S

(12) **United States Design Patent**  
**Cox et al.**

(10) **Patent No.:** **US D601,769 S**  
(45) **Date of Patent:** **\*\* Oct. 6, 2009**

(54) **DEBRIS PAN**

(75) Inventors: **Randy Cox**, Greenville, NC (US);  
**William P. Camp, Jr.**, Vanlue, OH (US)

(73) Assignee: **Harper Brush Works, Inc.**, Fairfield, IA (US)

(\*\*) Term: **14 Years**

(21) Appl. No.: **29/313,576**

(22) Filed: **Jan. 23, 2009**

(51) **LOC (9) Cl.** ..... **07-05**

(52) **U.S. Cl.** ..... **D32/74**

(58) **Field of Classification Search** ..... D32/74;  
15/257.1, 257.4, 257.8, 257.9, 257.3; D34/1  
See application file for complete search history.

(56) **References Cited**

**U.S. PATENT DOCUMENTS**

2,277,383	A	3/1942	Bowers	
2,651,924	A	9/1953	Lawrence	
4,509,226	A	4/1985	Allison et al.	
4,815,604	A	3/1989	O'Neil et al.	
5,012,542	A *	5/1991	Lynn	15/1
5,325,565	A *	7/1994	Suzuki	15/257.4
5,343,589	A *	9/1994	Davenport	15/257.4
5,457,844	A *	10/1995	Hanna et al.	15/257.3
5,715,564	A *	2/1998	Knouse	15/257.3
D393,120	S *	3/1998	Leonard et al.	D32/74
D402,780	S *	12/1998	Alt	D32/74
6,023,812	A	2/2000	Morad	
D441,933	S *	5/2001	Savage et al.	D34/1
6,282,745	B1 *	9/2001	Alt	15/257.4
D463,642	S	9/2002	Morad	

D468,879	S *	1/2003	Perelli	D32/74
6,679,948	B2	1/2004	Mead	
6,732,402	B1 *	5/2004	Hsu	15/257.6
D545,022	S *	6/2007	Morad	D32/74
D551,820	S *	9/2007	Morad	D32/74
D586,519	S	2/2009	Casteel et al.	
7,509,705	B1	3/2009	Morad et al.	

**OTHER PUBLICATIONS**

Catalog page showing product No. 483 in use since prior to Jan. 2008.

\* cited by examiner

*Primary Examiner*—Rosemary K Tarcza

(74) *Attorney, Agent, or Firm*—Gerald T. Shekleton; Husch Blackwell Sanders Welsh & Katz

(57) **CLAIM**

The ornamental design for a debris pan, as shown and described.

**DESCRIPTION**

FIG. 1 is a perspective view of the debris pan of the subject invention.

FIG. 2 is a front view of the debris pan of FIG. 1.

FIG. 3 is a rear view of the debris pan of FIG. 1.

FIG. 4 is a left side view of the debris pan of FIG. 1.

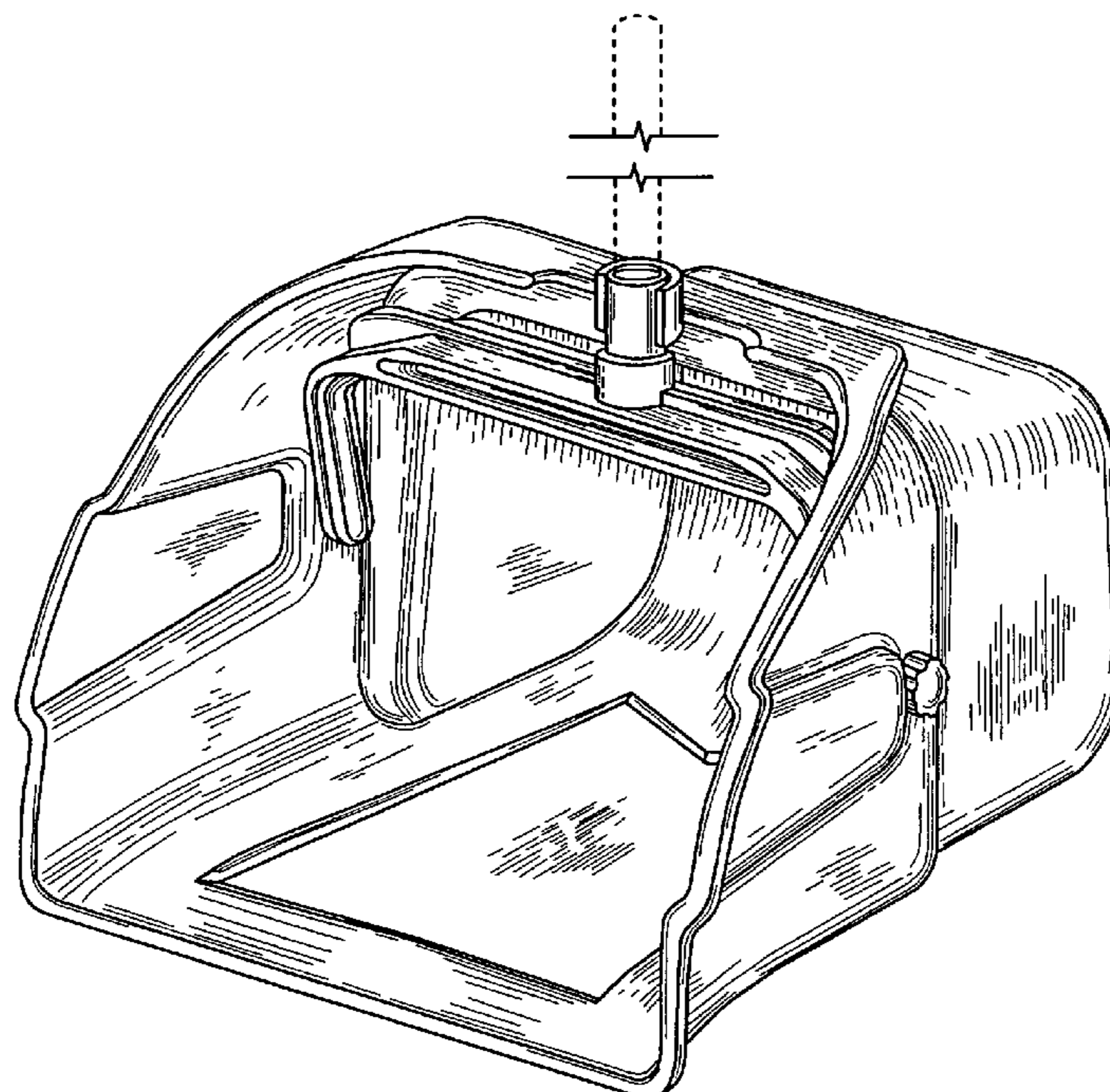
FIG. 5 is a right side view of the debris pan of FIG. 1.

FIG. 6 is a top view of the debris pan of FIG. 1; and,

FIG. 7 is a bottom view of the debris pan of FIG. 1.

The broken lines shown in the drawings are for illustrative purposes only and form no part of the claimed design. The break in the broken lines represents indeterminate length.

**1 Claim, 4 Drawing Sheets**



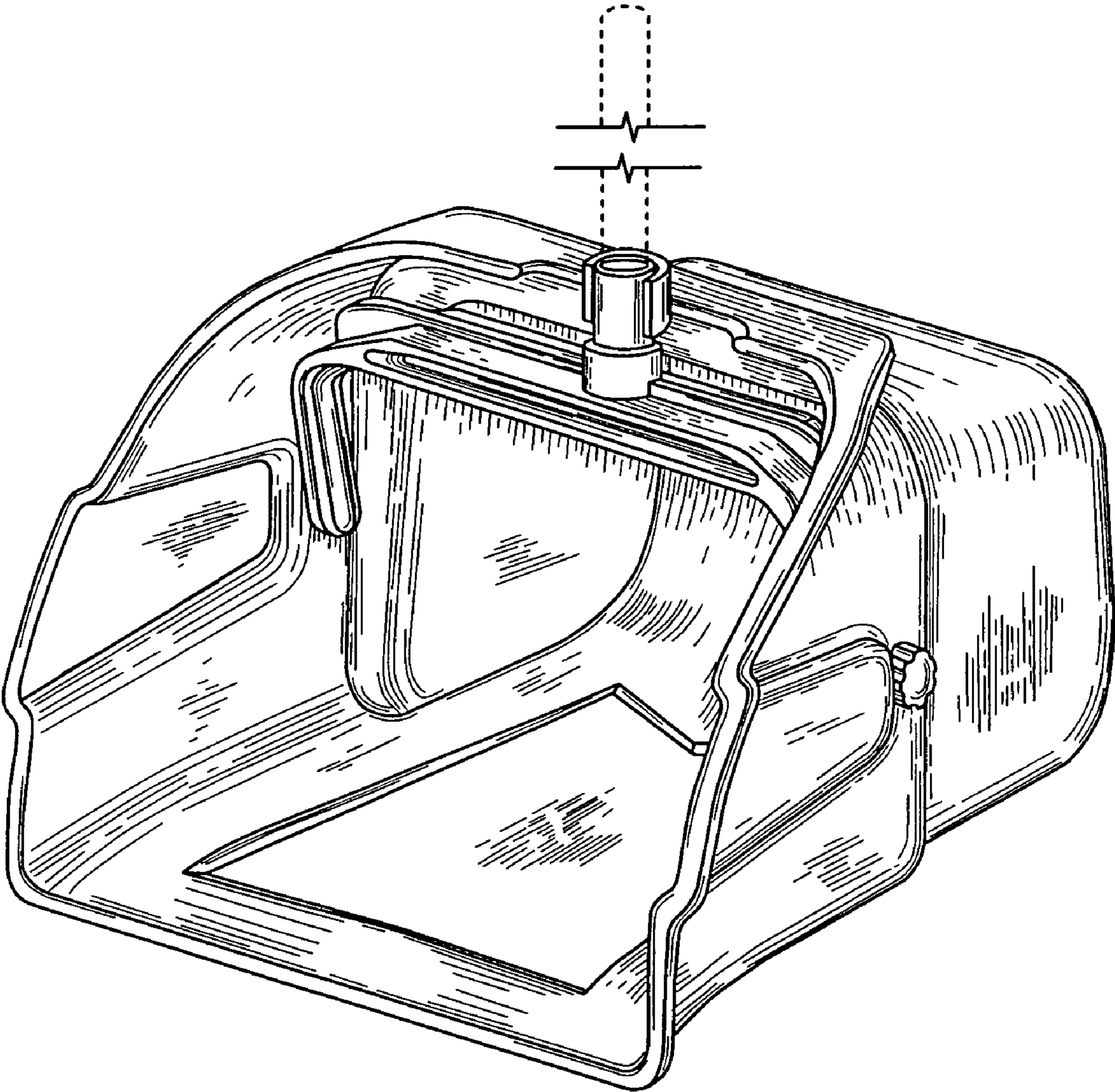


FIG. 1

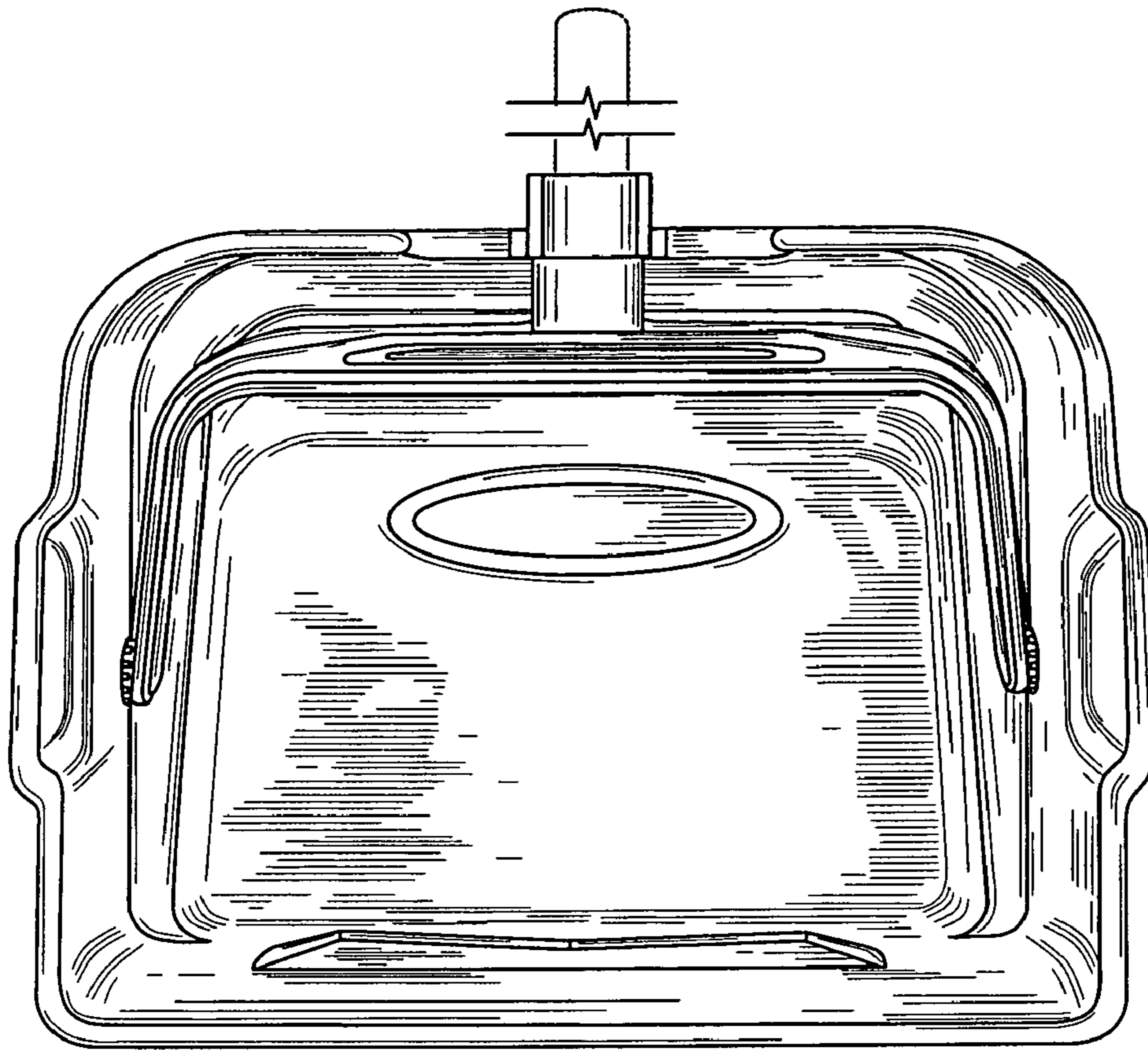


FIG. 2

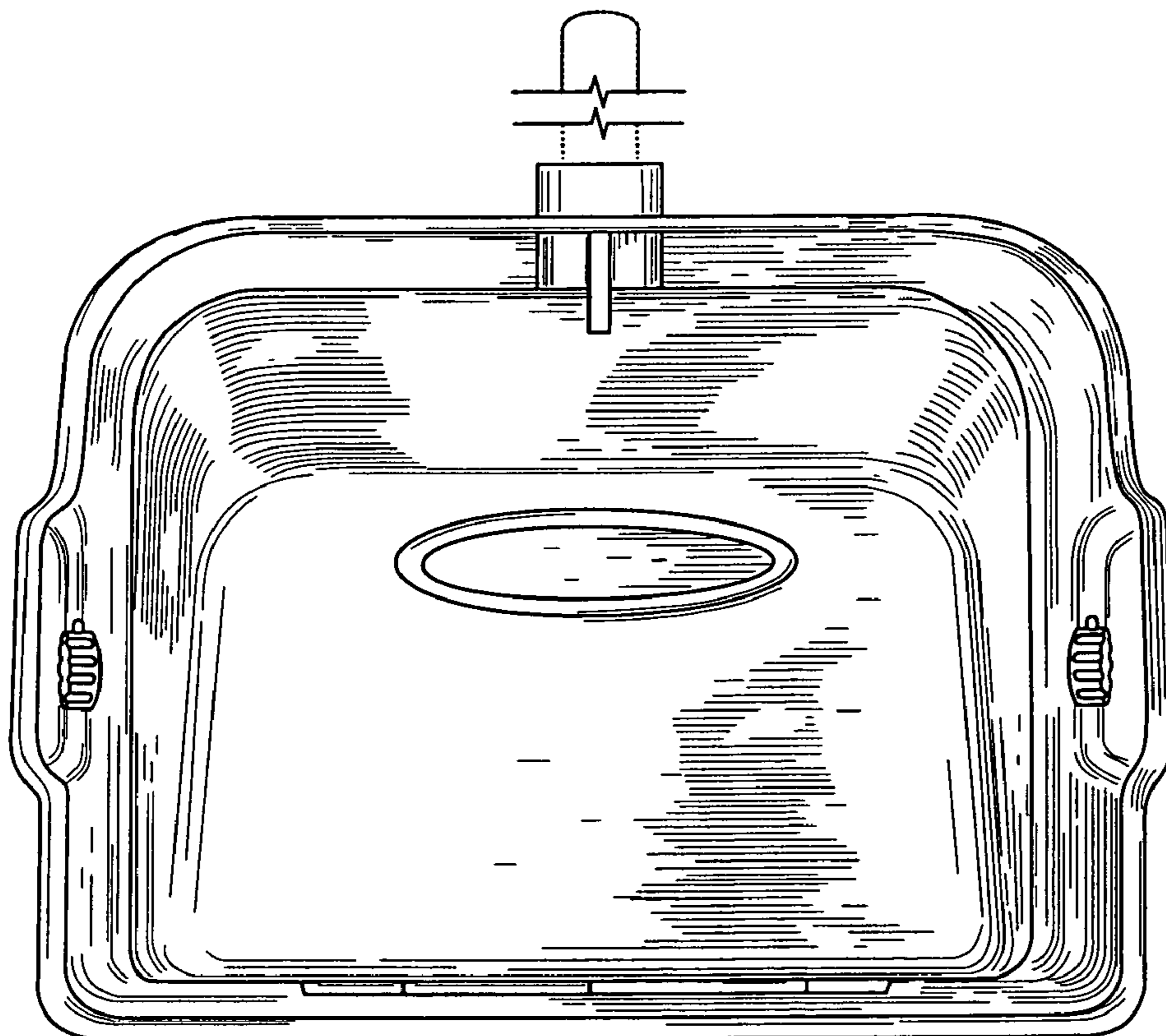


FIG. 3

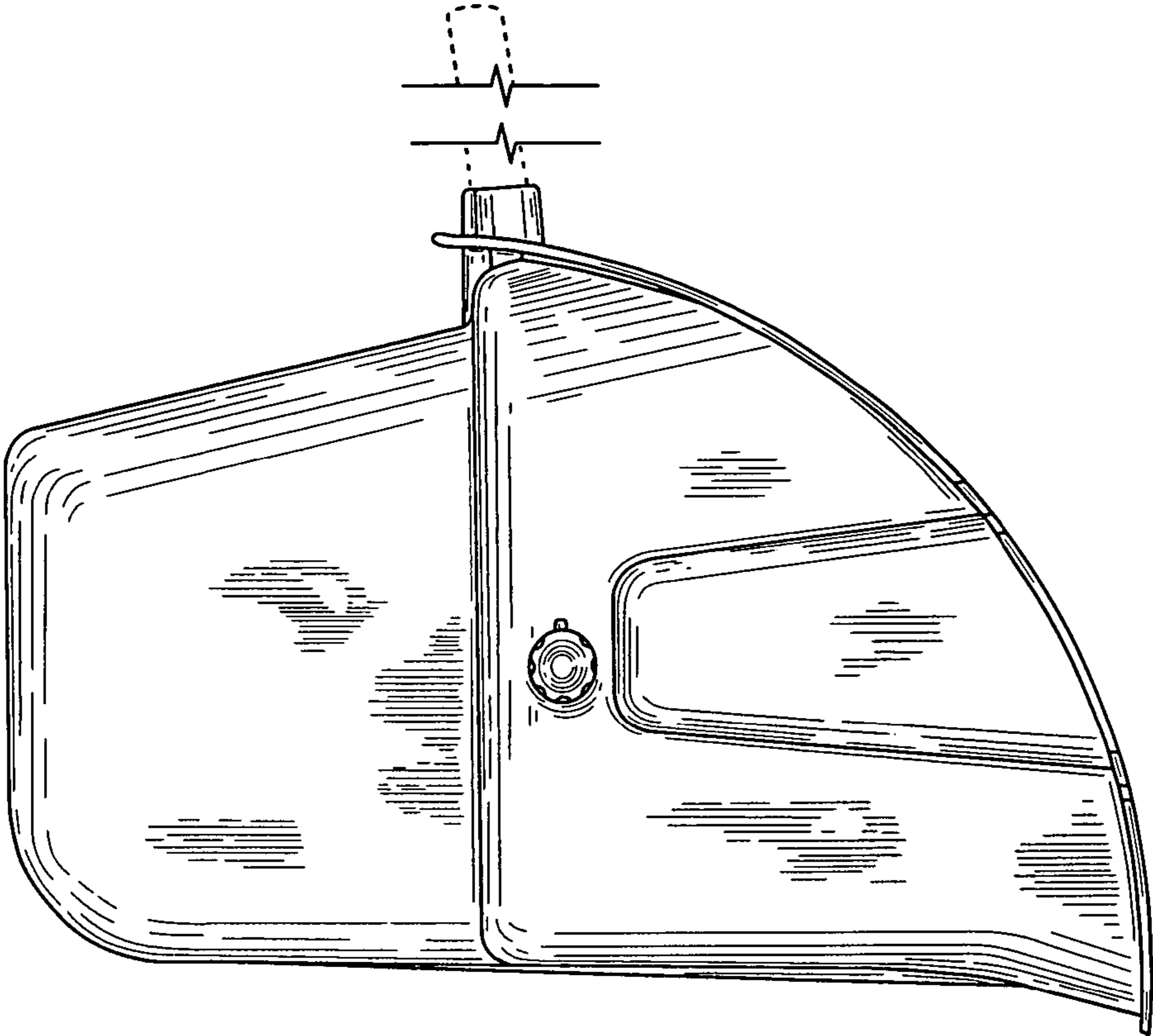


FIG. 4

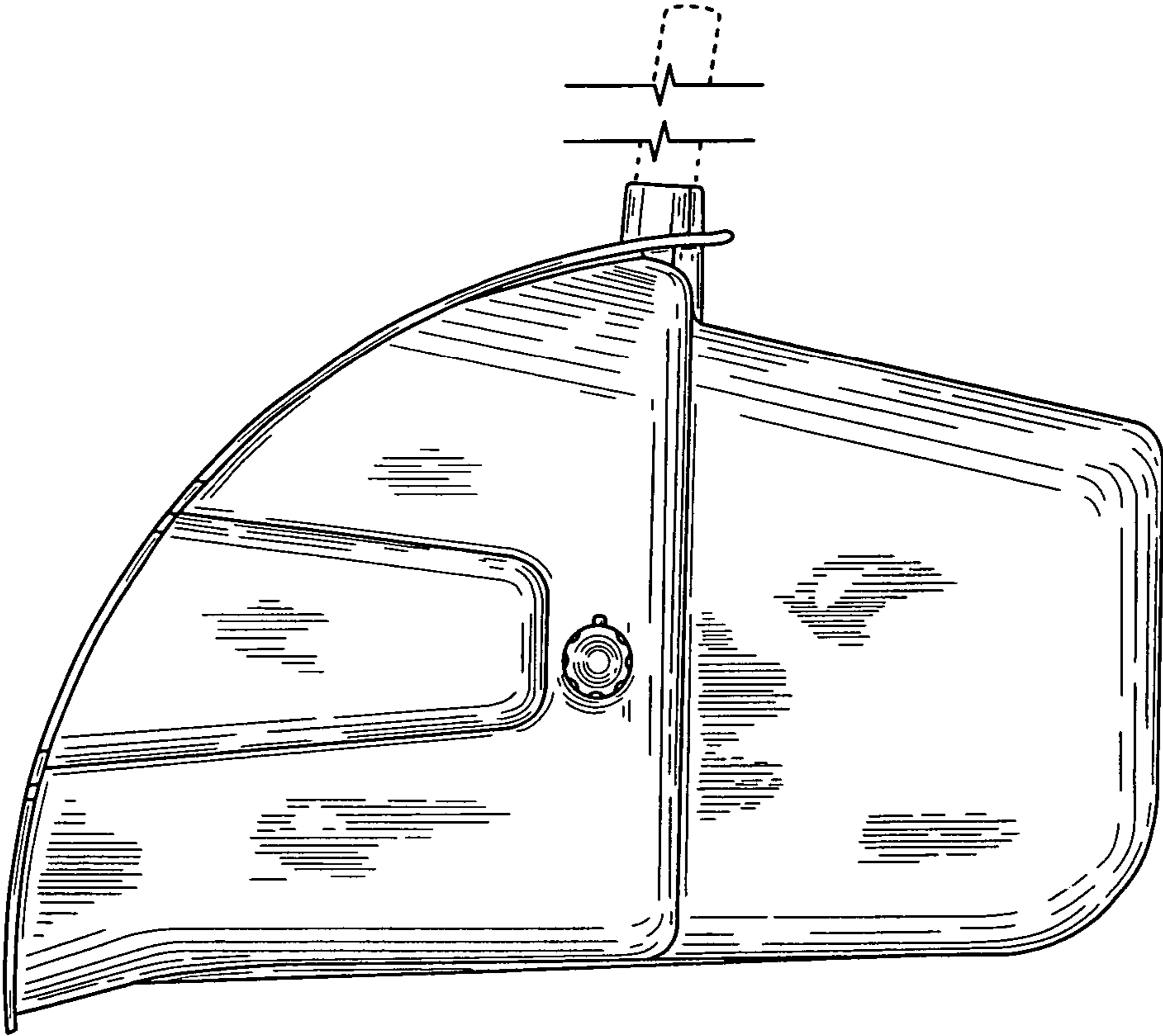


FIG. 5

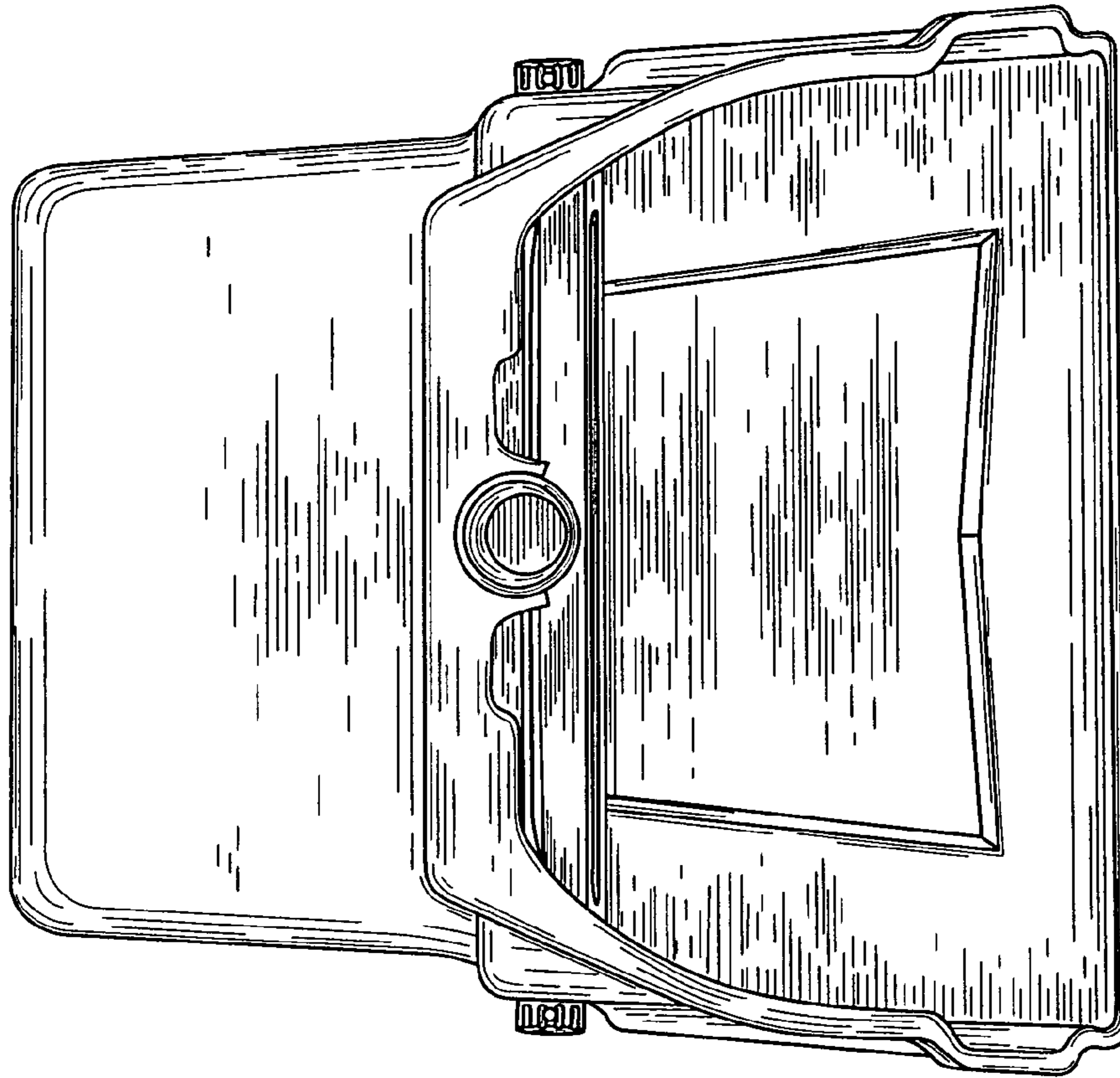


FIG. 6

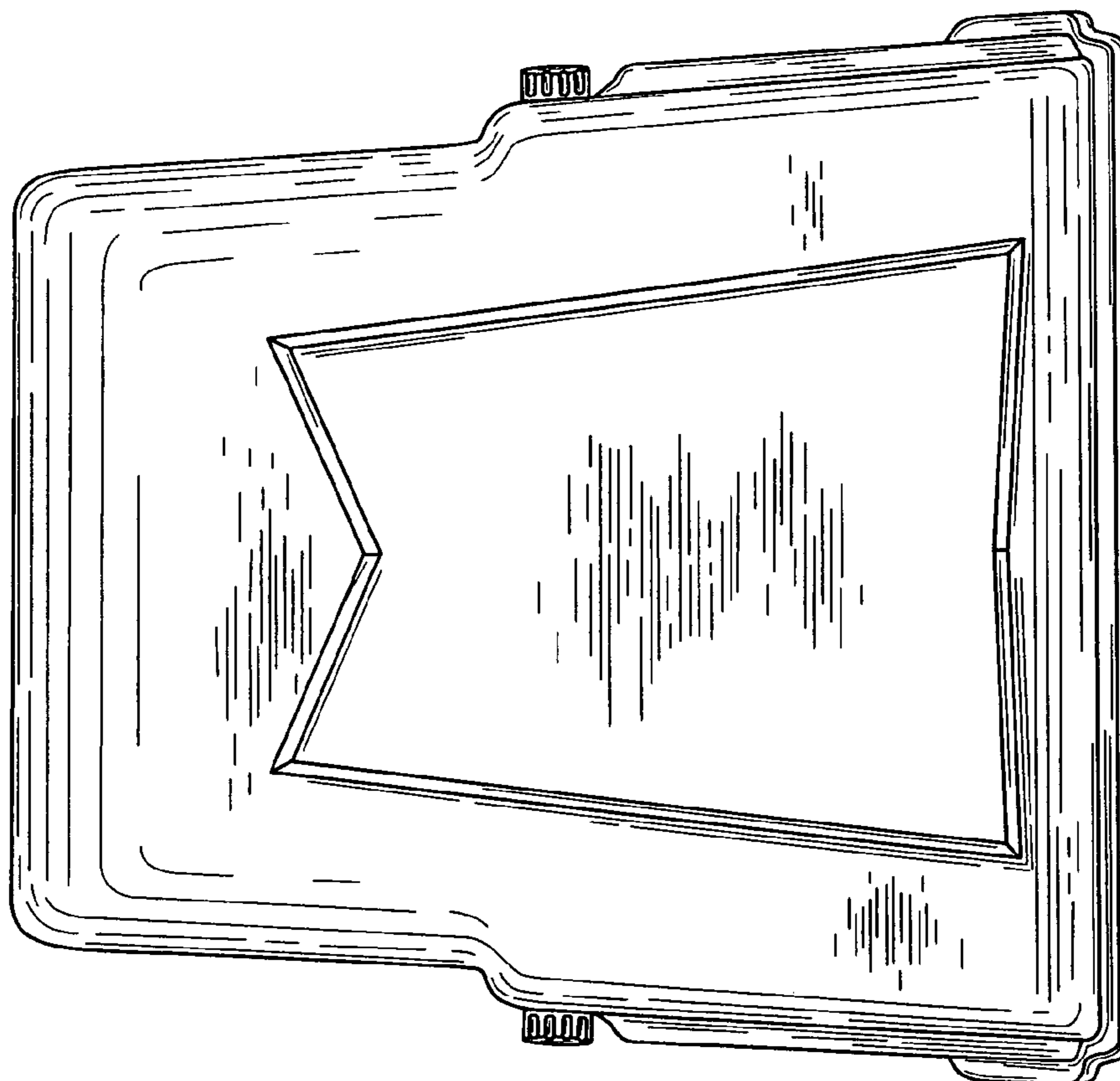


FIG. 7