



US00D601767S

(12) **United States Design Patent**
Duncan et al.

(10) **Patent No.:** **US D601,767 S**
(45) **Date of Patent:** **** Oct. 6, 2009**

(54) **WALLPAPER STEAMER**

(75) Inventors: **Michael Duncan**, Guildford (GB);
Richard Stephen Thom, Wimbledon
(GB)

(73) Assignee: **Earlex Limited**, Surrey (GB)

(**) Term: **14 Years**

(21) Appl. No.: **29/308,577**

(22) Filed: **Jun. 24, 2008**

(30) **Foreign Application Priority Data**

Dec. 24, 2007 (GB) 4005856

(51) **LOC (9) Cl.** **15-05**

(52) **U.S. Cl.** **D32/17**

(58) **Field of Classification Search** D32/17-18,
D32/21, 31; 15/329, 344, 320-321, 415.1,
15/420, 421, 422; 392/324-325, 403-406,
392/383-384, 476-477; 68/222, 5 R, 5 A,
68/5 C; 38/85, 69; 134/18; 156/584, 344;
126/271.1

See application file for complete search history.

(56) **References Cited**

U.S. PATENT DOCUMENTS

4,855,568 A * 8/1989 Wilkins 392/404
5,305,415 A * 4/1994 Stevens 392/403

5,447,597 A * 9/1995 Zimmermann et al. 156/584
5,917,992 A * 6/1999 Zimmermann et al. 392/404
D473,025 S * 4/2003 Simmons D32/17
D499,517 S * 12/2004 Chen D32/17
D500,180 S * 12/2004 Meyer D32/17
6,856,761 B2 * 2/2005 Doran 392/406
D505,526 S * 5/2005 Tsen D32/21
D536,147 S * 1/2007 Medema et al. D32/18
D536,492 S * 2/2007 Rosenzweig D32/17
D537,216 S * 2/2007 Davis et al. D32/18
D549,406 S * 8/2007 Rosenzweig D32/17

* cited by examiner

Primary Examiner—Ruth McInroy

(74) *Attorney, Agent, or Firm*—Lambert & Associates; Adam
J. Bruno; Gary E. Lambert

(57) **CLAIM**

The ornamental design for a wallpaper steamer, as shown and
described.

DESCRIPTION

FIG. 1 is an isometric view of a wallpaper steamer showing
our new design;

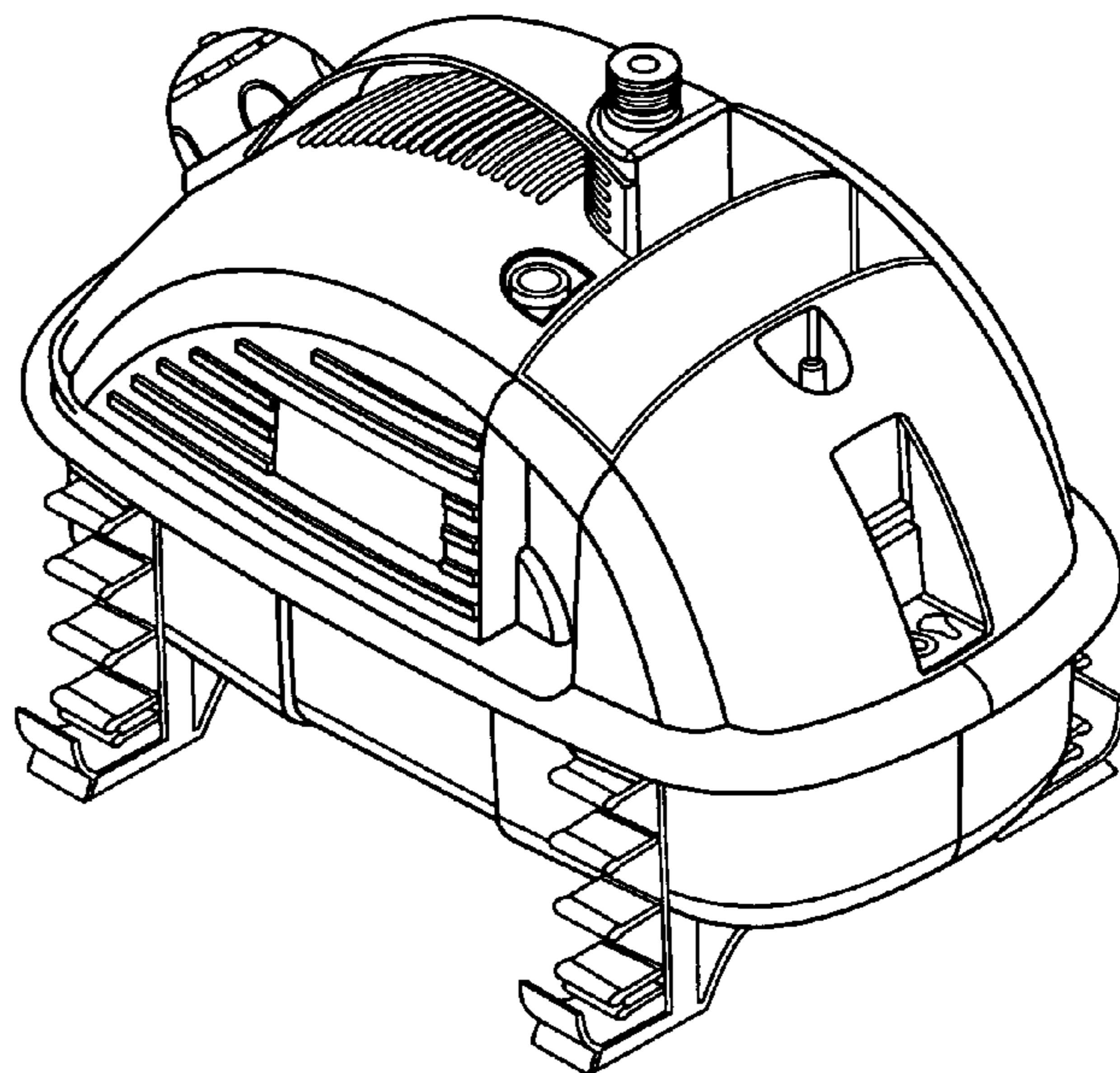
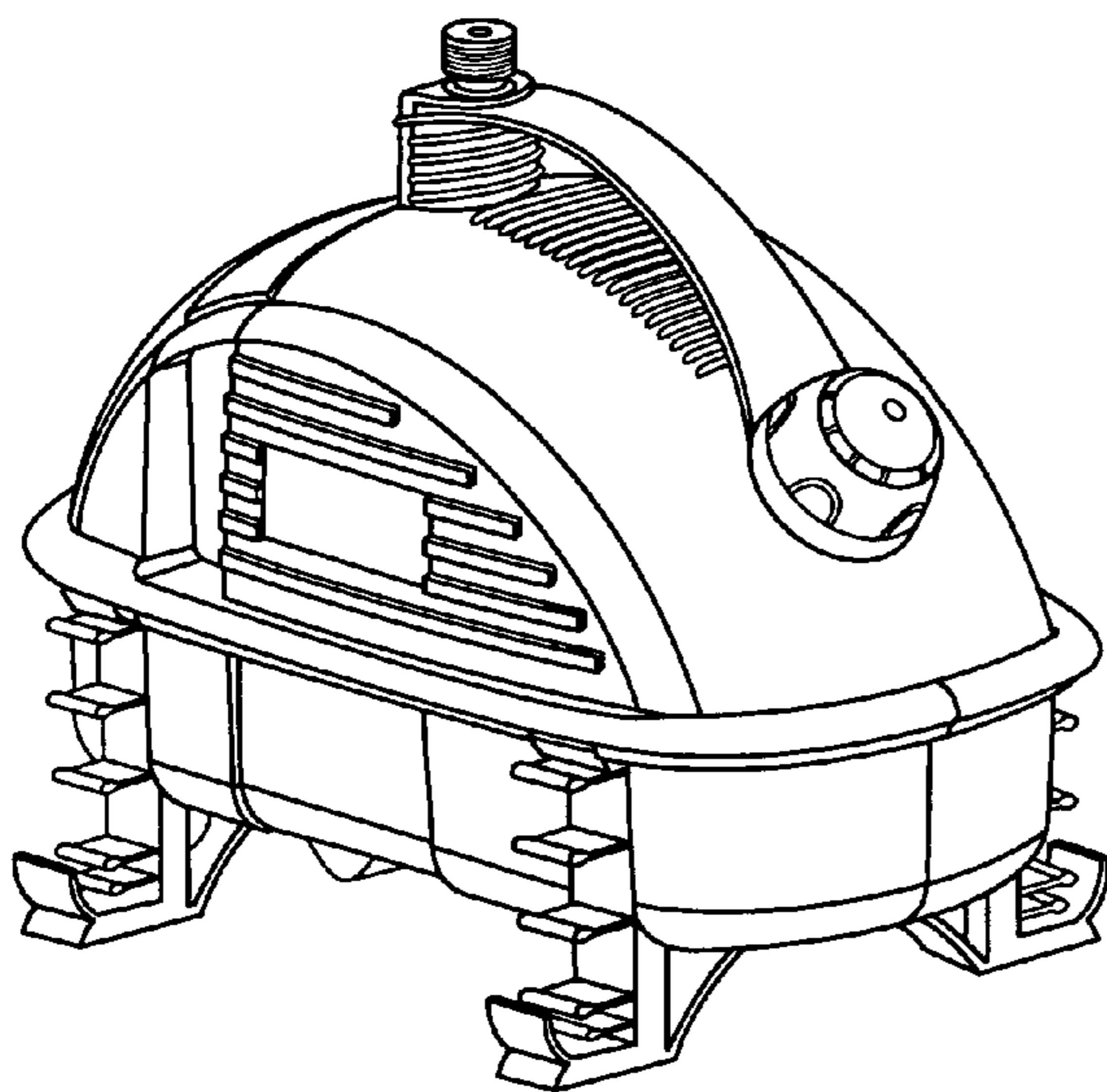
FIG. 2 is an isometric side view thereof;

FIG. 3 is an end view thereof;

FIG. 4 is a top view thereof; and,

FIG. 5 is a bottom view thereof.

1 Claim, 3 Drawing Sheets



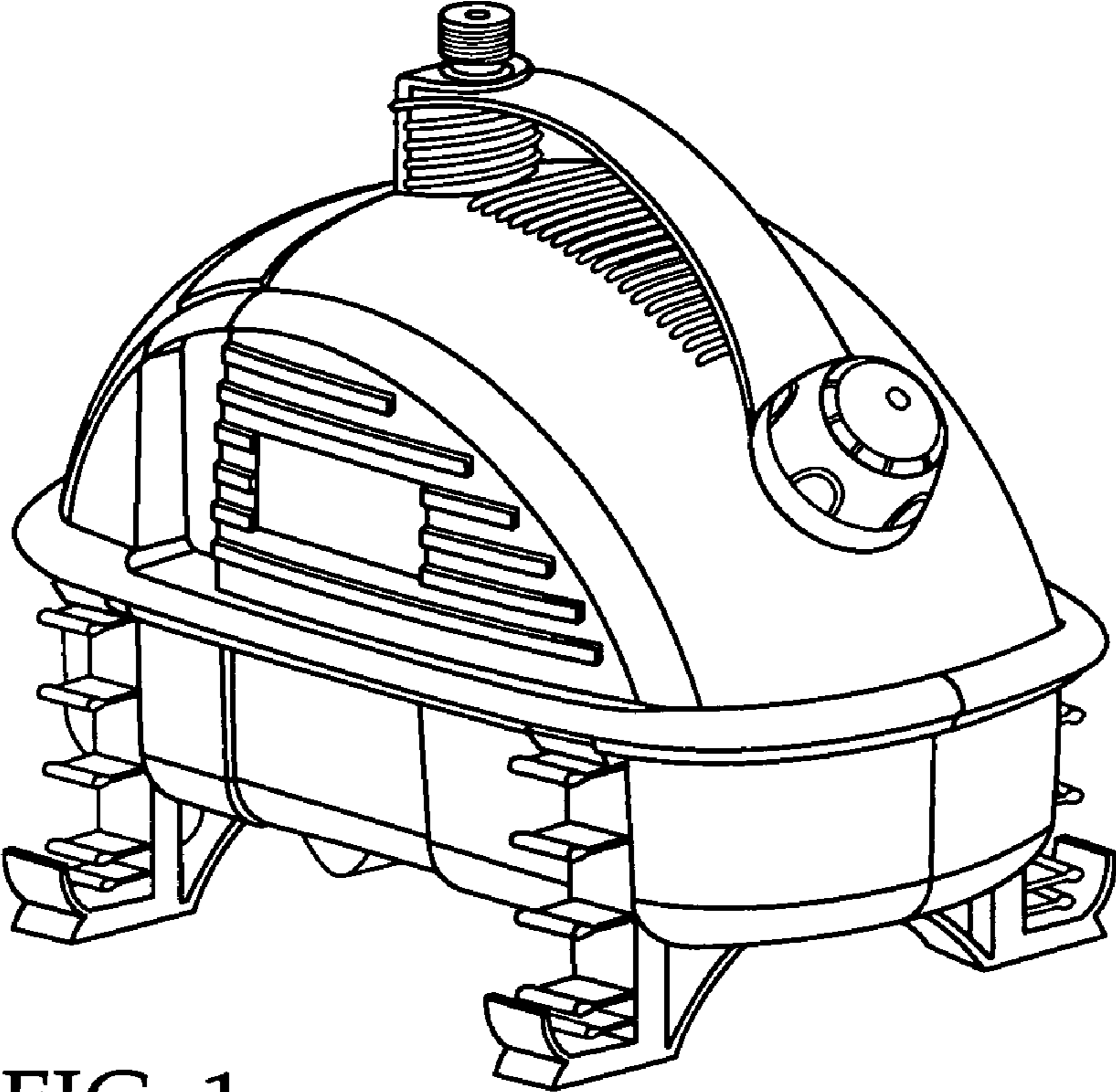


FIG. 1

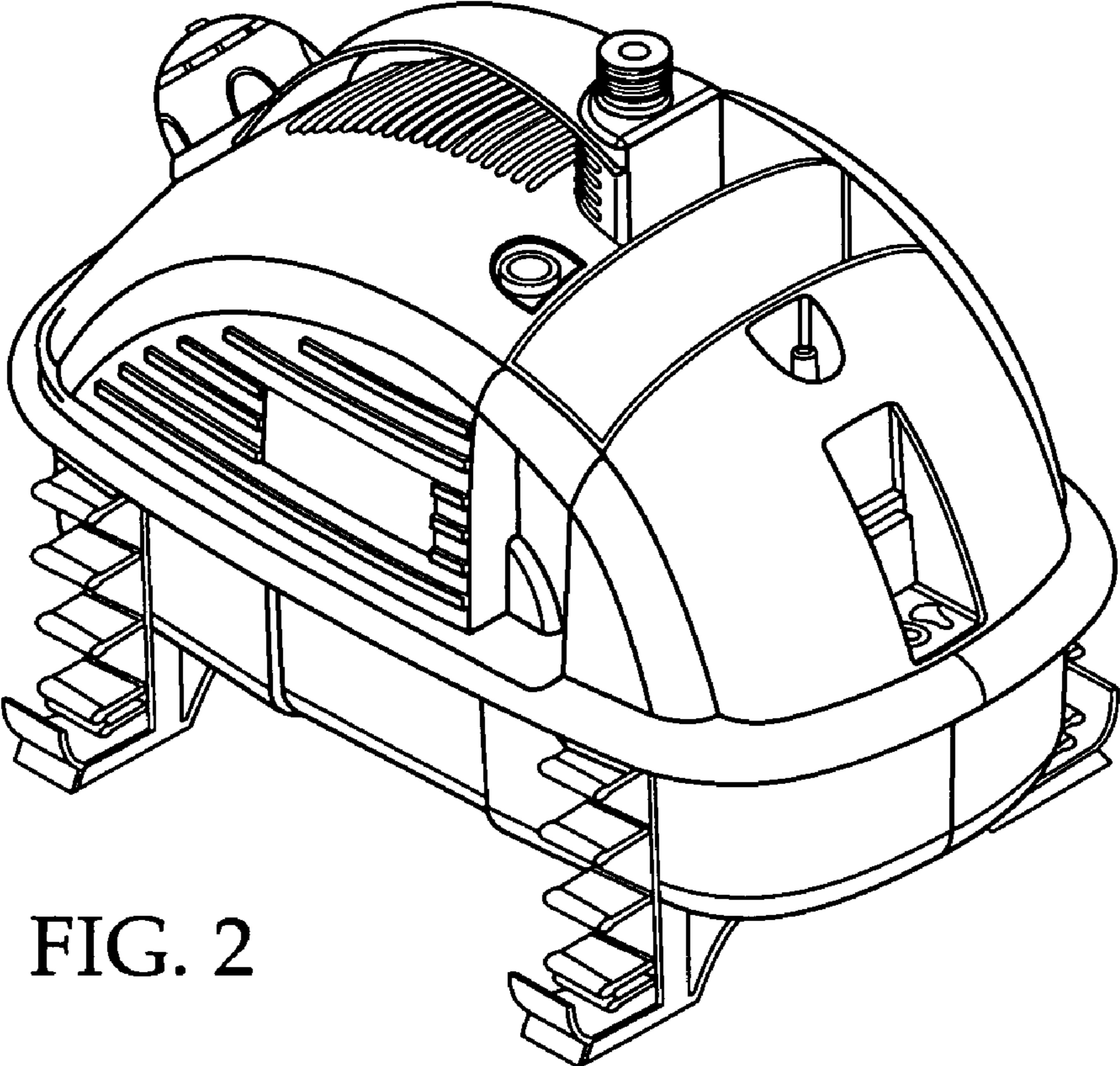


FIG. 2

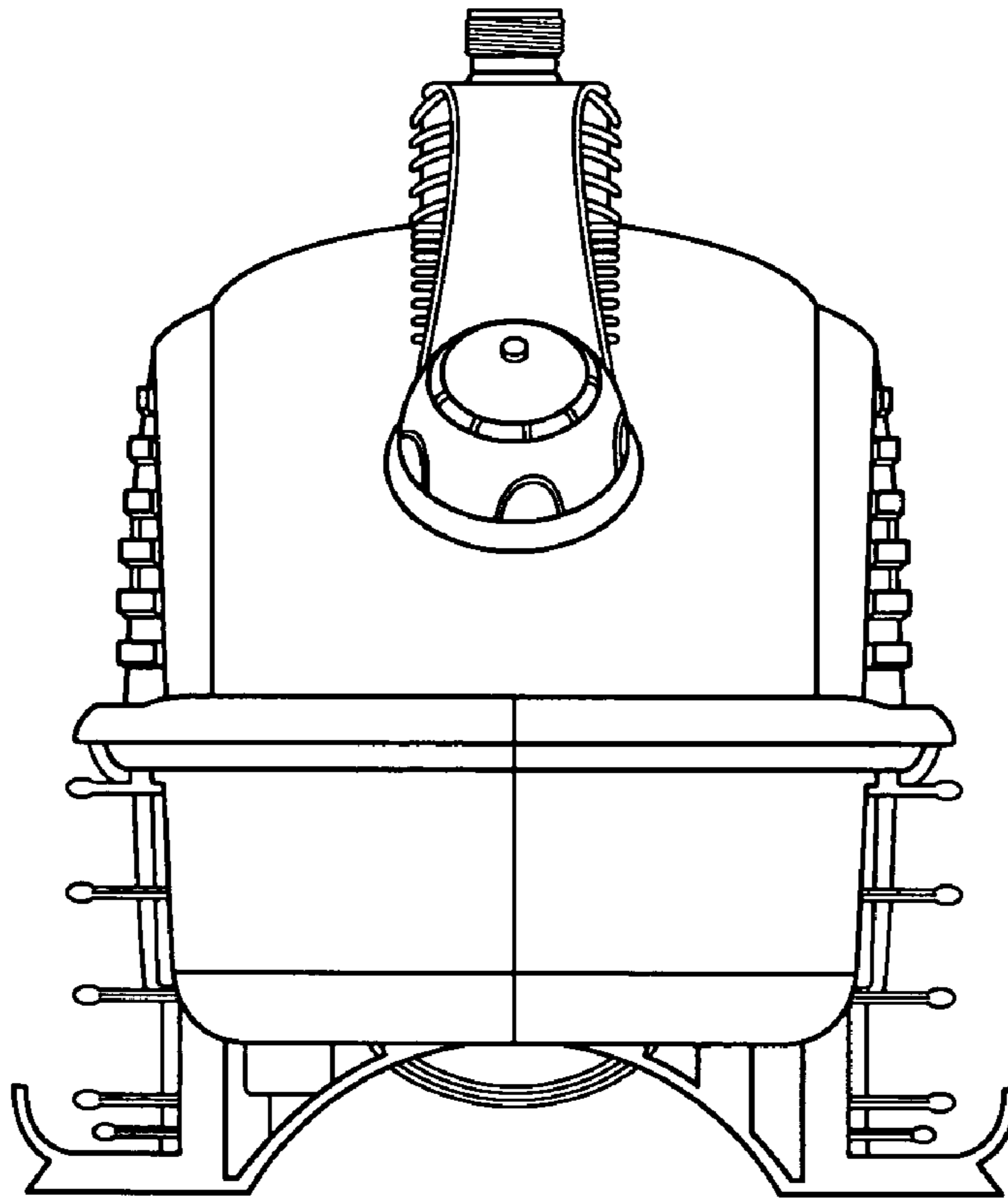


FIG. 3

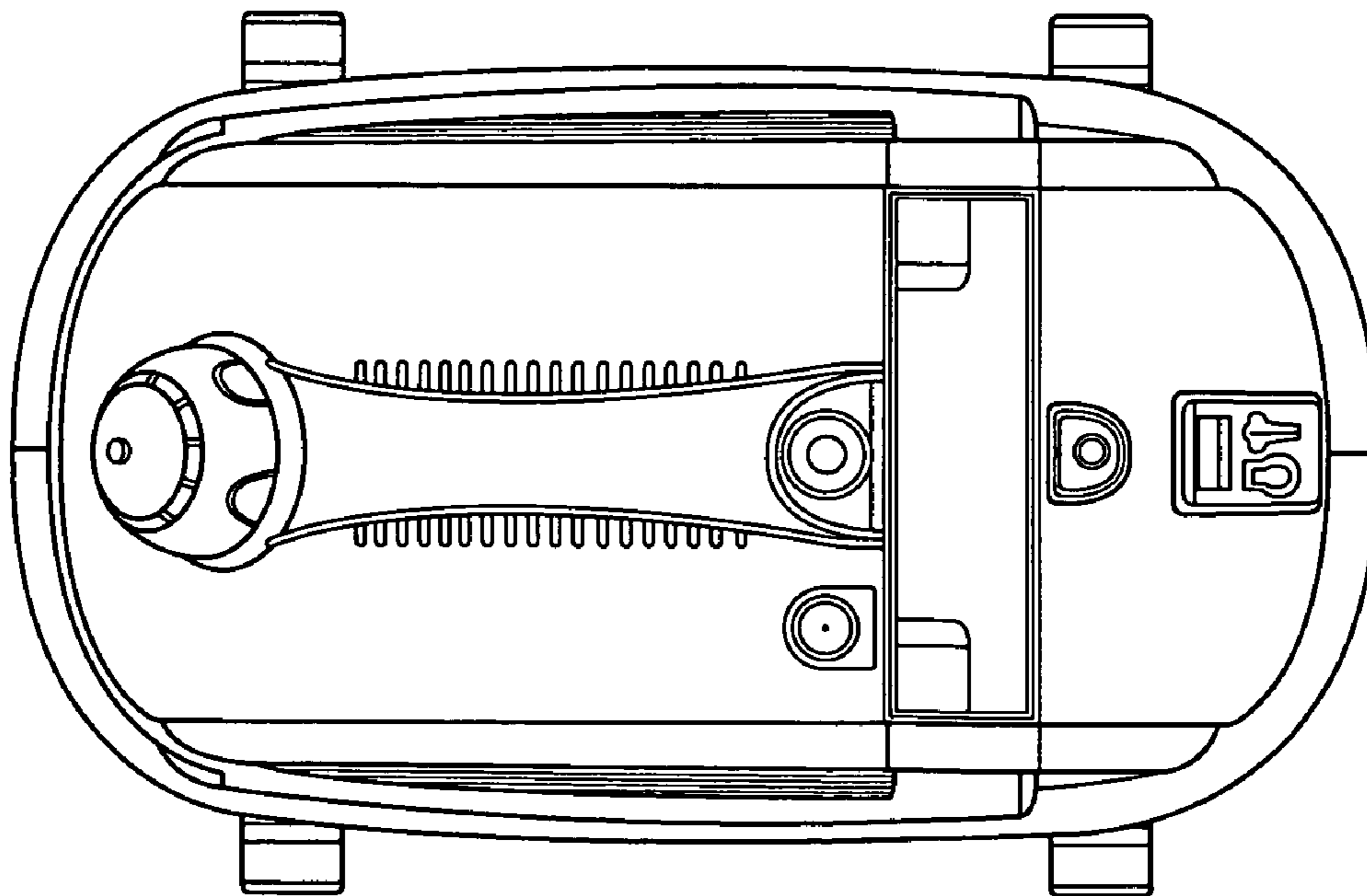


FIG. 4

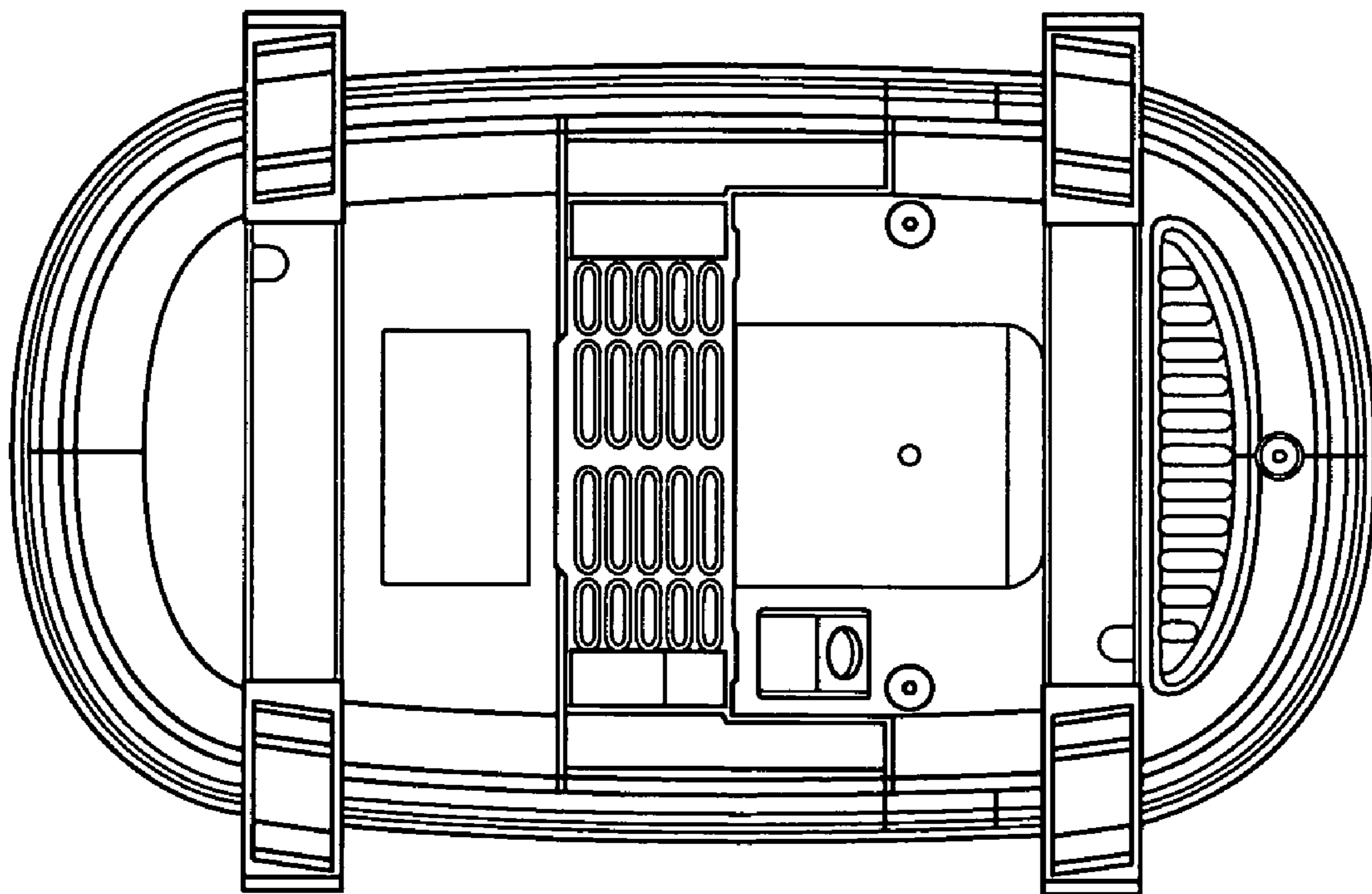


FIG. 5