



US00D601759S

(12) **United States Design Patent**
Ragonetti et al.

(10) **Patent No.:** **US D601,759 S**
(45) **Date of Patent:** **** Oct. 6, 2009**

(54) **BIRDCAGE ATTACHMENT**

(75) Inventors: **Peter Ragonetti**, Brooklyn, NY (US);
Ryan Rutherford, Rutherford, NJ (US);
Jonathan Willinger, Tenafly, NJ (US)

(73) Assignee: **J.W. Pet Company, Inc.**, Teterboro, NJ
(US)

(**) Term: **14 Years**

(21) Appl. No.: **29/330,975**

(22) Filed: **Jan. 16, 2009**

Related U.S. Application Data

(60) Division of application No. 29/306,659, filed on Apr. 14, 2008, now Pat. No. Des. 591,006, which is a division of application No. 29/291,518, filed on Aug. 31, 2007, now Pat. No. Des. 569,559, and a continuation-in-part of application No. 11/245,556, filed on Oct. 7, 2005, now abandoned, which is a continuation of application No. 29/230,071, filed on May 16, 2005, now Pat. No. Des. 530,866, said application No. 29/291,518 and a division of application No. 29/266,260, filed on Sep. 15, 2006, now Pat. No. Des. 554,299, is a continuation-in-part of application No. 29/264,790, filed on Aug. 17, 2006, now Pat. No. Des. 554,298, which is a division of application No. 29/180,987, filed on May 2, 2003, now Pat. No. Des. 508,589, which is a continuation-in-part of application No. 10/371,646, filed on Feb. 21, 2003, now Pat. No. 6,971,332, said application No. 29/291,518 and a continuation-in-part of application No. 11/182,380, filed on Jul. 15, 2005, now abandoned.

(51) **LOC (9) Cl.** **30-02**

(52) **U.S. Cl.** **D30/119**

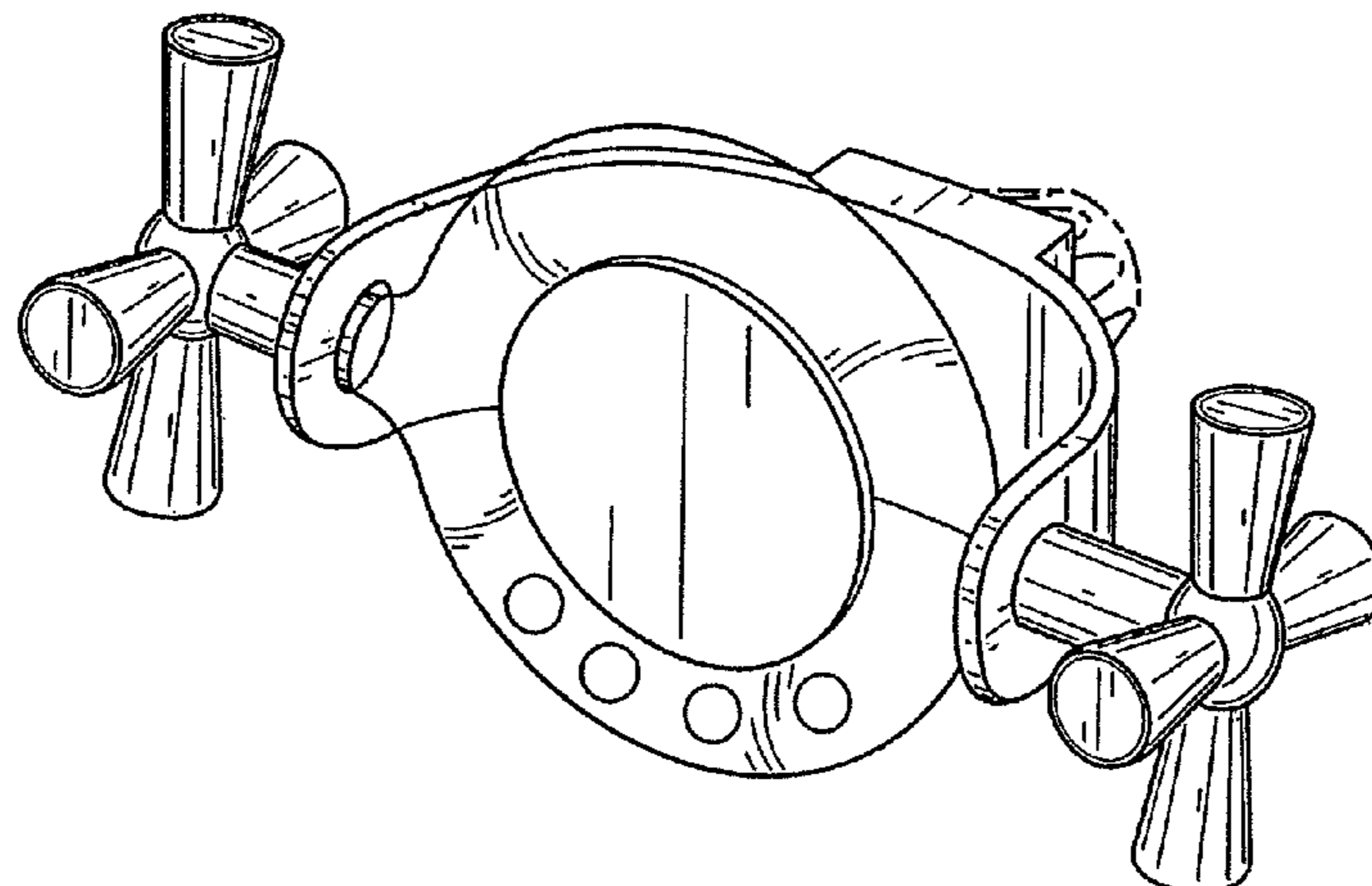
(58) **Field of Classification Search** D30/119, D30/160, 199, 133, 121; 119/467, 468, 702, 119/537, 531-533, 705-708, 464, 161, 477, 119/703, 709-711, 469, 57.8, 466; D21/476, D21/408, 407, 468, 596, 475, 398, 474, 467, D21/595; D12/188, 133, 187, 189; 446/227, 446/266, 265, 421, 490, 241, 419, 229, 397, 446/253, 330, 245, 901, 268, 486; 248/908, 248/102, 493, 467, 206.3, 480, 206.4, 279.1, 248/479; 482/132, 46, 129, 24, 87, 86; D24/195; 359/850, 840, 872, 546, 838, 854, 855, 866, 359/871; 132/316; 273/142 R; 74/409; 211/105.2; 264/296, 320, DIG. 66; 5/658; 385/147; 297/135; D6/553, 535, 536, 540, D6/545, 556, 570, 572, 567

See application file for complete search history.

(56) **References Cited**

U.S. PATENT DOCUMENTS

804,907 A	11/1905	Whitfield	
1,077,340 A *	11/1913	Graham	446/266
1,192,441 A	7/1916	Lydecker	
1,446,740 A	2/1923	Eummelen	
1,450,494 A	4/1923	Eummelen	
1,530,657 A	3/1925	Eummelen	
1,552,290 A	9/1925	Fowler	
1,632,380 A	6/1927	Marcus	
1,684,560 A *	9/1928	Scott	248/479
1,718,432 A	6/1929	Qualmann	
1,755,706 A	4/1930	St. George	
D89,923 S *	5/1933	Robison	D30/119
2,031,874 A	2/1936	Ludovica et al.	
2,066,264 A	12/1936	Fisher	
2,282,881 A *	5/1942	Ostrow	446/227
2,296,000 A	9/1942	Edmond	
2,483,003 A	9/1949	Fischer	
D166,334 S	1/1952	Moon	
D167,326 S	7/1952	Verosub et al.	
2,699,752 A	1/1955	Reyes	
D174,580 S	4/1955	Kiehl	
2,709,937 A	5/1955	Francis	
D175,292 S	8/1955	Austgen	
2,731,949 A *	1/1956	Arnould	119/537
2,800,105 A	7/1957	Ilg	
2,808,807 A	10/1957	Winton et al.	
2,828,963 A	4/1958	Steiner	



US D601,759 S

Page 2

D183,655 S	10/1958	Hansen		5,949,456 A	9/1999	Matsumoto et al.	
2,915,944 A *	12/1959	Butts	248/480	6,016,926 A *	1/2000	Smith et al.	211/119.011
2,943,600 A	7/1960	Rosoff		D423,738 S	4/2000	Carlson	
3,017,589 A	1/1962	Leonard		6,189,489 B1	2/2001	Pearce	
3,181,504 A	5/1965	Stortz		6,293,550 B1	9/2001	Zeitlin	
3,185,133 A	5/1965	Bird		6,305,319 B1	10/2001	Olsson	
D223,035 S	2/1972	Brecher		6,308,657 B1	10/2001	Schumacher	
3,678,901 A *	7/1972	Dulle	119/537	6,374,772 B1	4/2002	Brandt	
3,707,949 A	1/1973	Lippi		6,394,030 B1	5/2002	Geiger et al.	
3,784,024 A	1/1974	Kristy		6,457,439 B1	10/2002	Engelking	
3,815,282 A	6/1974	Frost		D471,326 S	3/2003	Weiser et al.	
D233,270 S	10/1974	Clark et al.		6,557,491 B1	5/2003	Weiser et al.	
D233,770 S	11/1974	Clark et al.		6,561,129 B1	5/2003	Cheng	
D236,904 S *	9/1975	Snyder	D21/476	D478,195 S	8/2003	McGinty	
3,911,866 A	10/1975	Dodd		D490,035 S *	5/2004	Wade	D12/188
3,913,262 A *	10/1975	Chisnall	446/265	6,736,088 B1	5/2004	McGregor	
4,028,843 A *	6/1977	Appel	446/227	D508,589 S	8/2005	Woltmann et al.	
D244,959 S *	7/1977	Moustakas et al.	D21/476	D509,031 S	8/2005	Weiser et al.	
4,188,745 A *	2/1980	Harvey et al.	446/227	D511,867 S	11/2005	Weiser et al.	
4,274,639 A *	6/1981	Flanders	273/402	D512,107 S *	11/2005	Kanahele et al.	D21/475
D268,275 S *	3/1983	Greenberg	D21/476	6,971,332 B2	12/2005	Woltmann et al.	
4,381,620 A *	5/1983	Panzarella	446/177	7,028,636 B2	4/2006	Weiser et al.	
D271,222 S *	11/1983	Riehm	D21/407	D530,866 S	10/2006	Woltmann et al.	
4,412,399 A *	11/1983	Abe et al.	446/359	7,247,078 B2 *	7/2007	Bapst et al.	446/227
4,450,789 A	5/1984	Nilsen et al.		D552,642 S	10/2007	Scheinman	
4,526,134 A	7/1985	Sapp		D554,298 S	10/2007	Woltmann et al.	
4,542,714 A	9/1985	Ingraham et al.		D554,299 S	10/2007	Ragonetti et al.	
D282,673 S *	2/1986	Nakao et al.	D21/407	D559,475 S	1/2008	Bonner	
4,574,738 A	3/1986	Tominaga		D577,081 S *	9/2008	Henriksson et al.	D21/476
4,574,822 A	3/1986	Helinsky		D581,603 S	11/2008	Woltmann et al.	
D285,592 S	9/1986	Kushner		D582,612 S	12/2008	Rutherford	
D288,454 S *	2/1987	Thom	D21/407	D586,511 S *	2/2009	Willinger	D30/160
4,655,723 A	4/1987	Marason et al.		2004/0005839 A1	1/2004	Oren et al.	
4,732,112 A	3/1988	Fenner		2004/0262839 A1	12/2004	LeGate-Aitken	
4,760,826 A	8/1988	Atchley		2005/0014443 A1 *	1/2005	Bapst et al.	446/227
D302,189 S *	7/1989	Nakao et al.	D21/476	2006/0278174 A1 *	12/2006	Willinger	119/708
4,878,869 A	11/1989	Yamane et al.					
4,960,275 A	10/1990	Magon					
D316,573 S *	4/1991	Finiw et al.	D21/474				
5,003,925 A	4/1991	Roberts					
5,018,480 A	5/1991	Goldman et al.					
5,021,901 A	6/1991	Mondocea et al.					
5,022,345 A	6/1991	Bolivar					
5,022,346 A	6/1991	Robertson					
5,039,180 A	8/1991	Lemons					
5,147,236 A *	9/1992	Hartman	446/253				
5,165,364 A	11/1992	Horkey					
5,187,826 A *	2/1993	Mariol	5/655				
D337,393 S *	7/1993	Weldy	D30/119				
D342,587 S	12/1993	Bransky et al.					
D344,986 S *	3/1994	Spence, Jr.	D21/407				
D345,184 S *	3/1994	Spence, Jr.	D21/407				
D345,392 S *	3/1994	Spence, Jr.	D21/407				
D345,634 S *	3/1994	Messing	D30/160				
5,313,337 A *	5/1994	Byers	359/872				
5,319,897 A	6/1994	Royer					
5,351,645 A	10/1994	Brennon					
D353,693 S	12/1994	Lawson					
5,372,474 A	12/1994	Miller					
5,387,146 A	2/1995	Smith et al.					
5,397,033 A	3/1995	Blomquist					
D361,172 S	8/1995	Gates					
D370,093 S	5/1996	DeLuca					
D371,226 S *	6/1996	Lee	D30/119				
D371,227 S	6/1996	Lee					
5,612,500 A	3/1997	Liang					
5,699,752 A	12/1997	Wilkins					
D393,018 S *	3/1998	Oren et al.	D21/476				
D393,292 S *	4/1998	Oren et al.	D21/476				
5,752,463 A	5/1998	Jenkins					
5,893,338 A	4/1999	Campbell et al.					
5,901,667 A	5/1999	Kallas					
5,928,054 A *	7/1999	Mast	446/227				

FOREIGN PATENT DOCUMENTS

FR	2529751	1/1984
FR	2561867	10/1985
JP	11018665 A *	1/1999

* cited by examiner

Primary Examiner—Susan Moon Lee
(74) Attorney, Agent, or Firm—Katten Muchin Rosenman LLP

(57) CLAIM

The ornamental design for a birdcage attachment, as shown and described.

DESCRIPTION

FIG. 1 is a perspective view of a birdcage attachment;
 FIG. 2 is a front view thereof;
 FIG. 3 is a rear view thereof;
 FIG. 4 is a left side view thereof;
 FIG. 5 is a right side view thereof;
 FIG. 6 is a top view thereof; and,
 FIG. 7 is a bottom view thereof.

The portions of the design that are shown in broken lines do not form part of the claimed design.

1 Claim, 5 Drawing Sheets

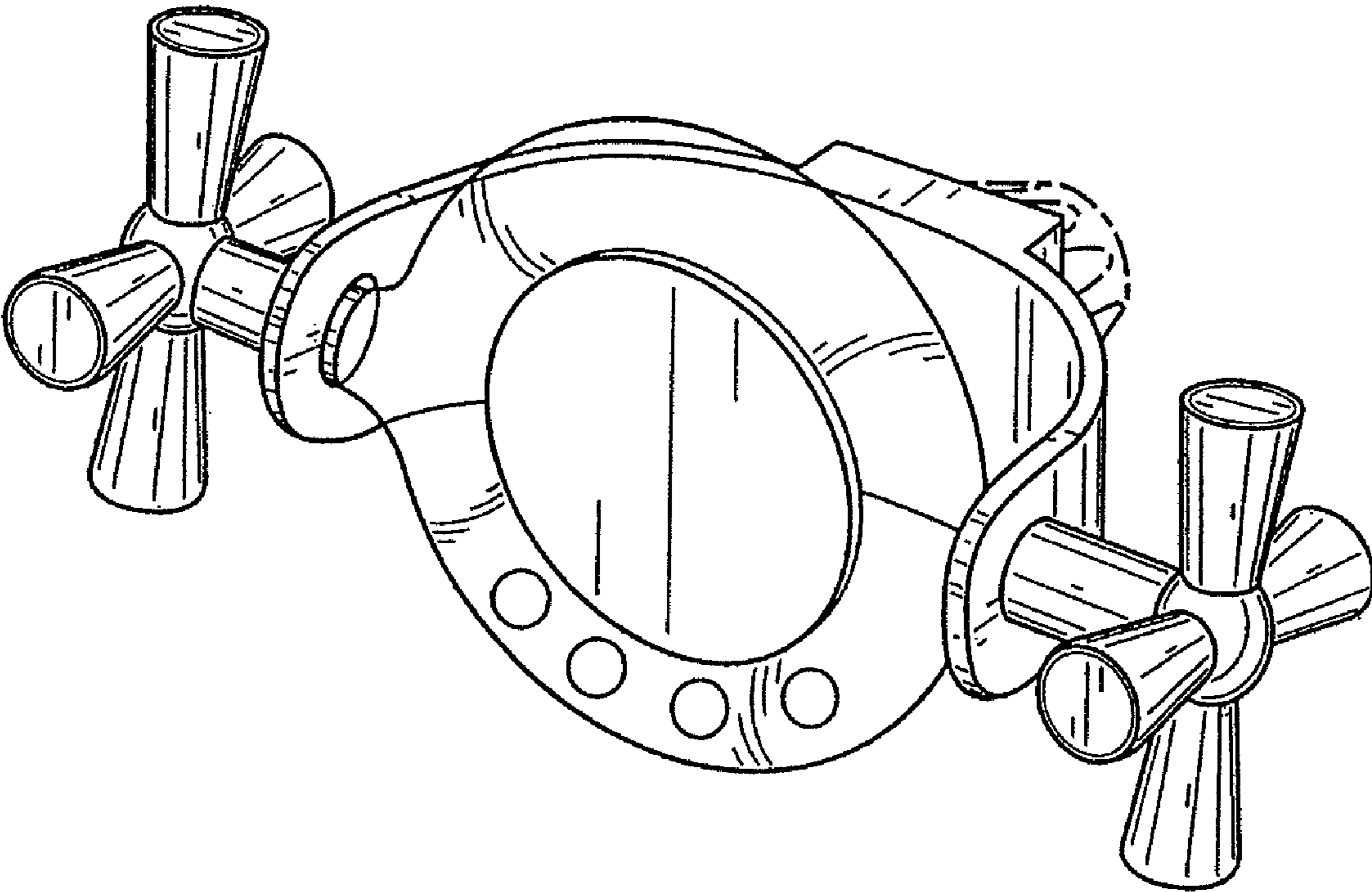


FIG. 1

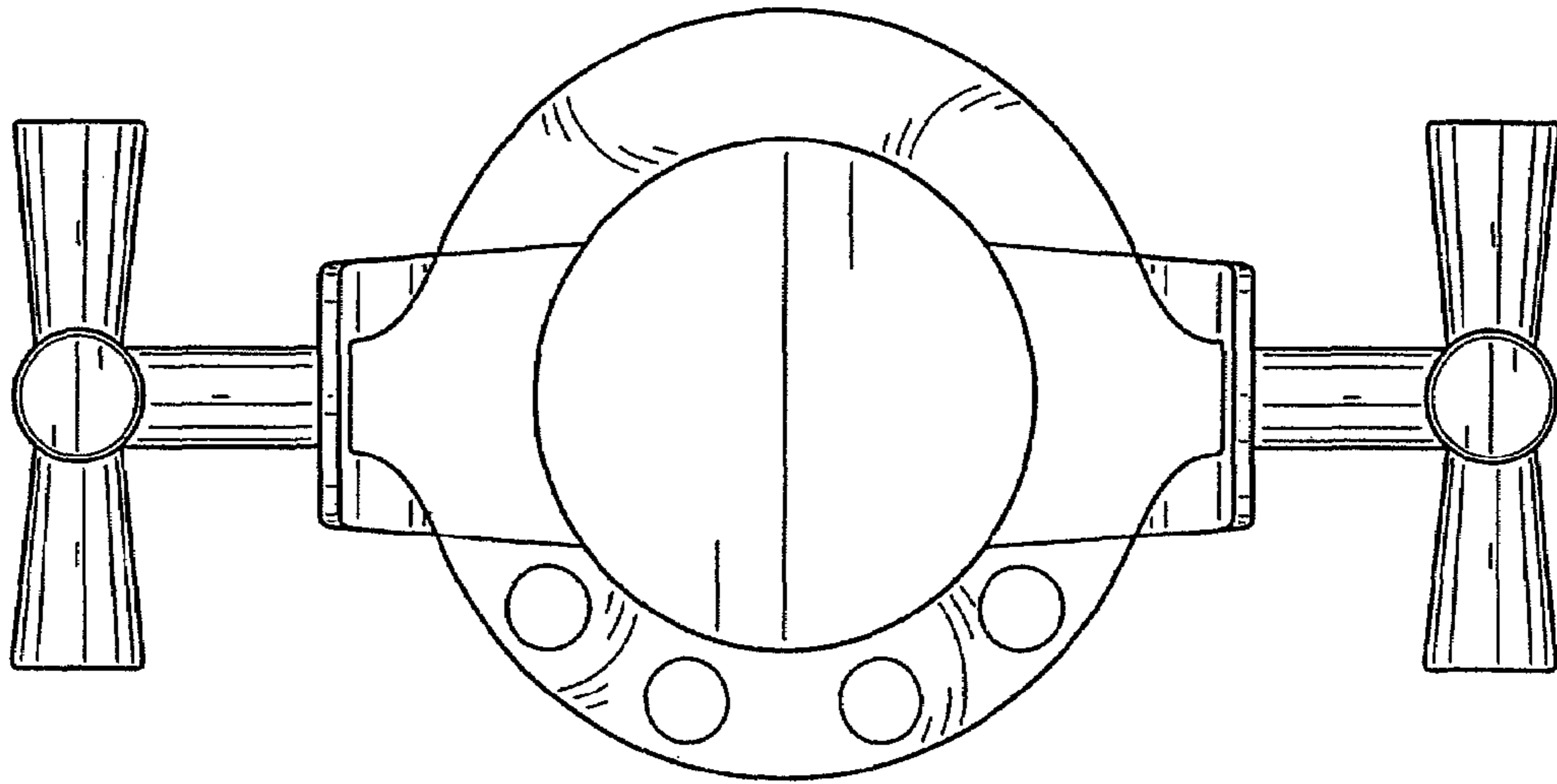


FIG. 2

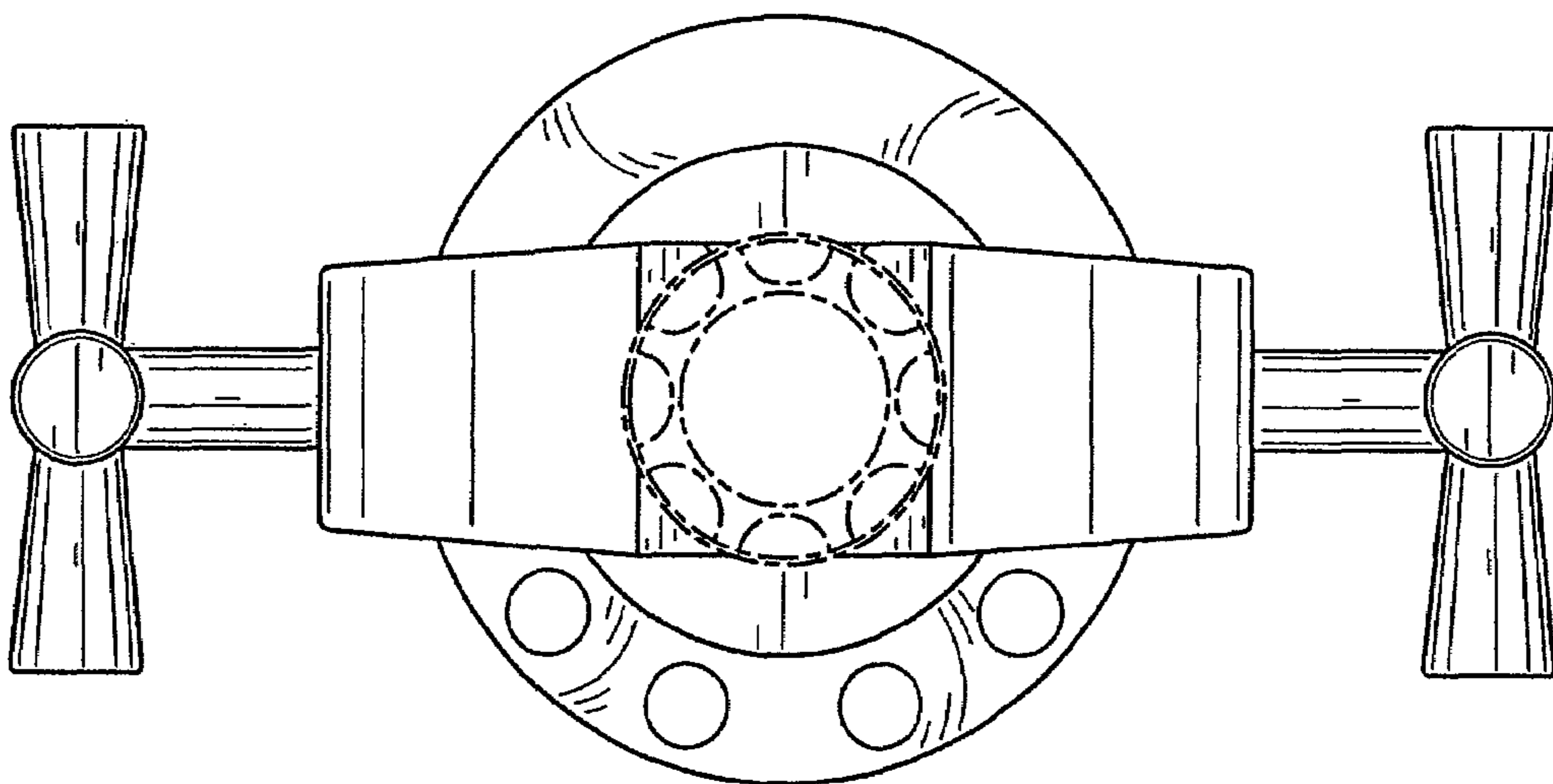


FIG. 3

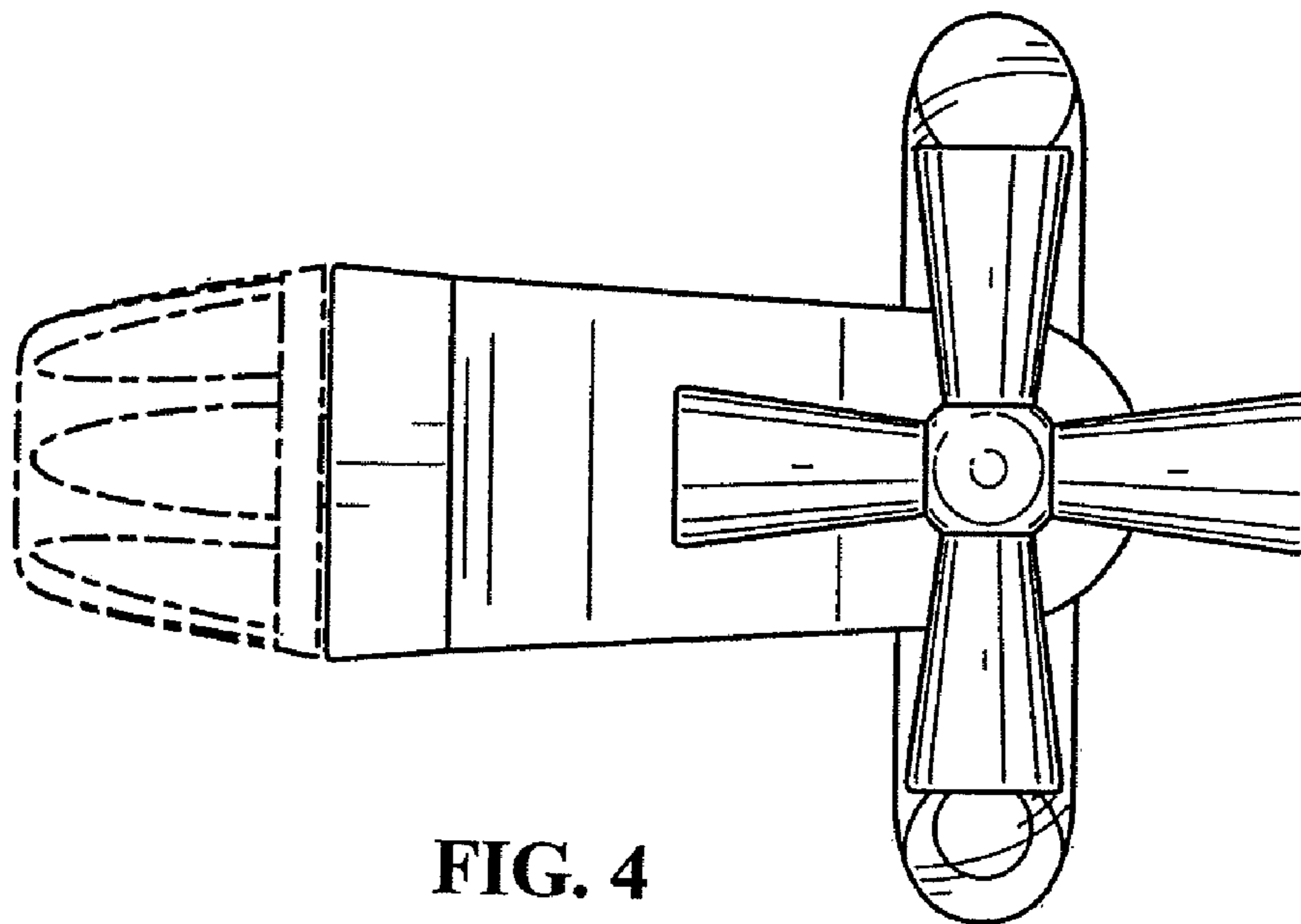


FIG. 4

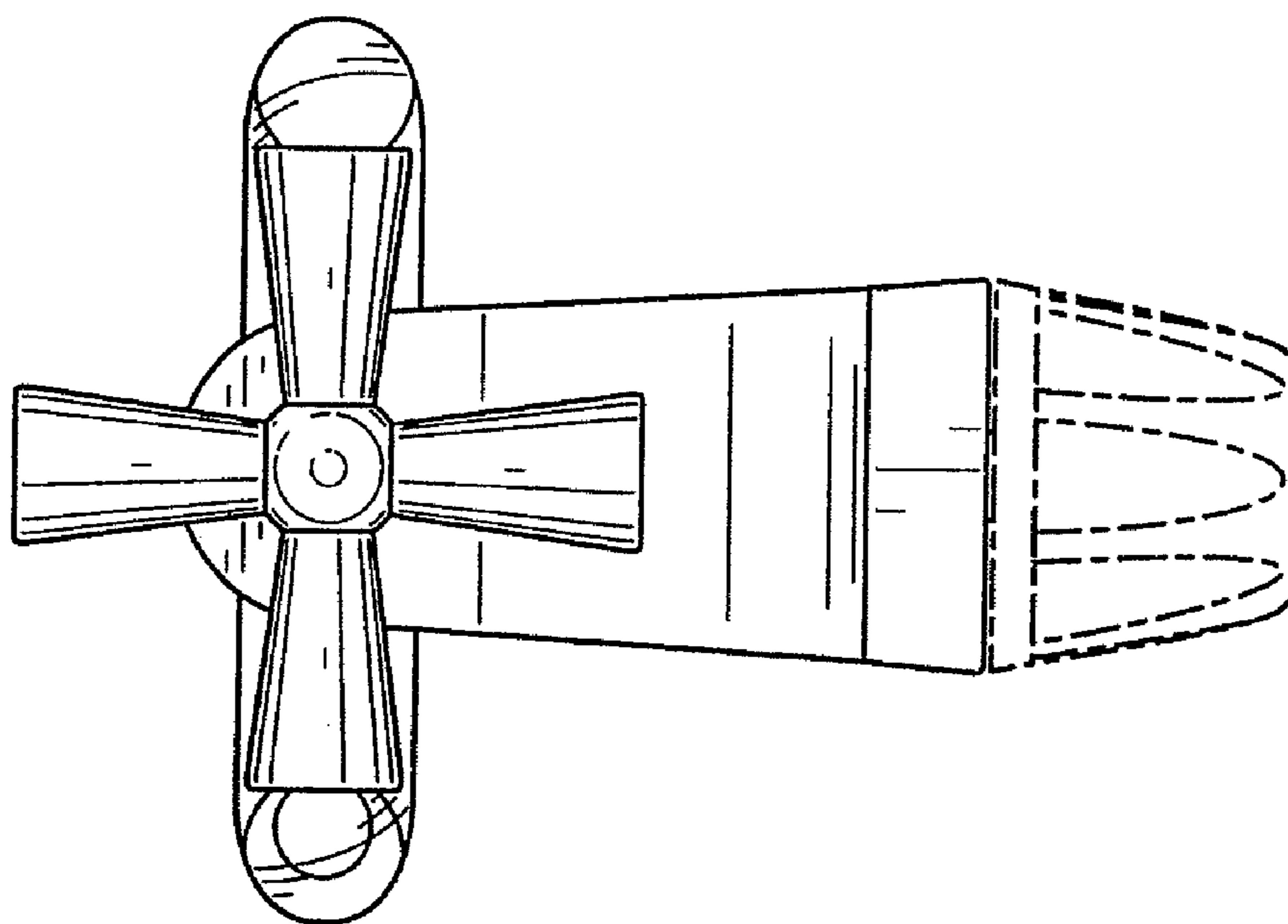


FIG. 5

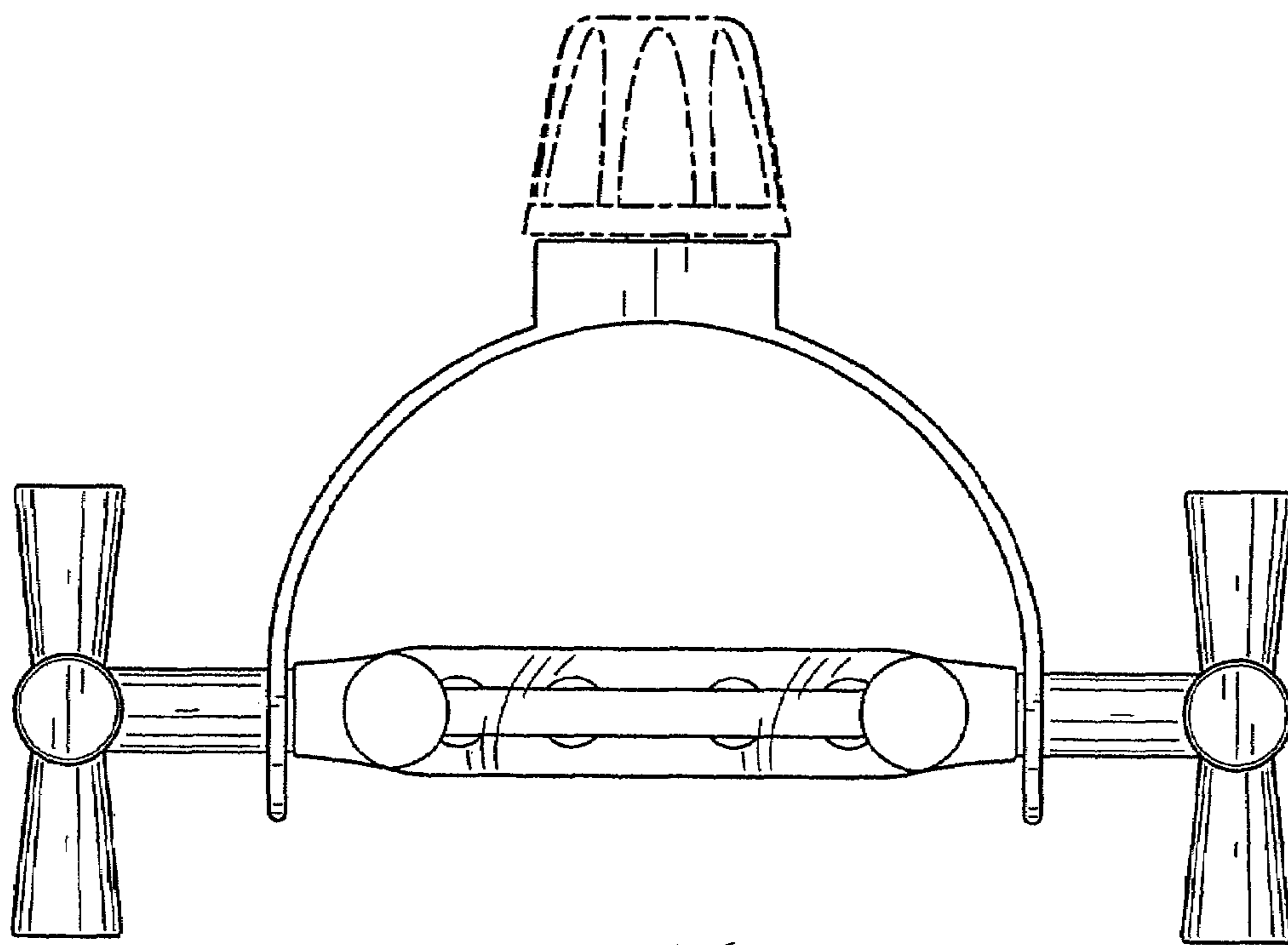


FIG. 6

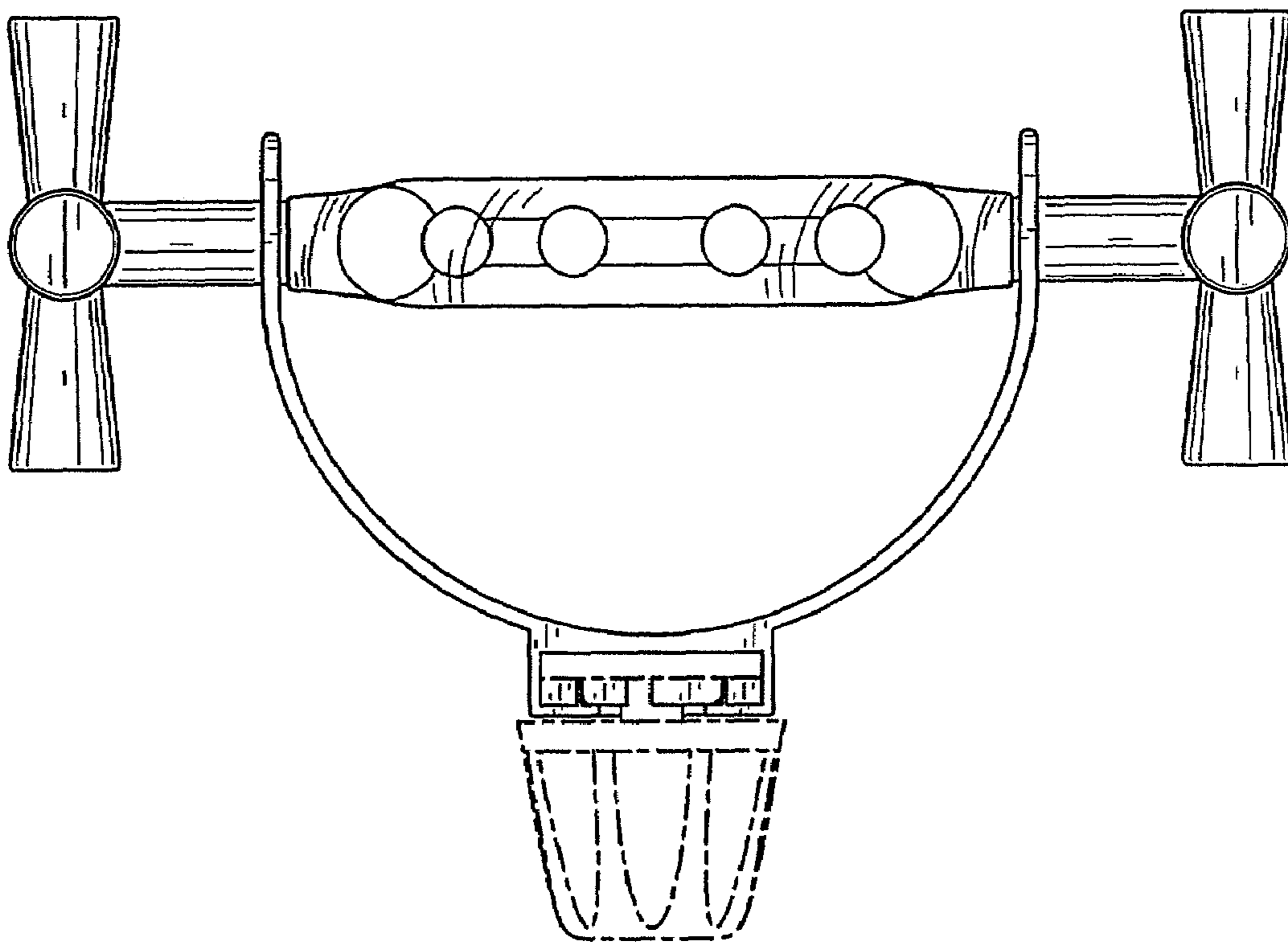


FIG. 7