



US00D601757S

(12) **United States Design Patent**  
**Sagel**

(10) **Patent No.:** **US D601,757 S**

(45) **Date of Patent:** **\*\* Oct. 6, 2009**

(54) **MAKE UP CASE**

(76) Inventor: **Gail Sagel**, 11 Fanton Hill Rd., Weston, CT (US) 06883

(\*\*) Term: **14 Years**

(21) Appl. No.: **29/314,175**

(22) Filed: **Mar. 10, 2009**

(51) **LOC (9) Cl.** ..... **28-03**

(52) **U.S. Cl.** ..... **D28/83**

(58) **Field of Classification Search** ..... D28/64.1,  
D28/64.3, 78-83; 206/581, 823; 132/286-288,  
132/293-307, 313-318

See application file for complete search history.

(56) **References Cited**

**U.S. PATENT DOCUMENTS**

4,821,751	A *	4/1989	Chen	.....	132/295
D305,281	S *	1/1990	Chen	.....	D28/76
D351,049	S *	9/1994	Schlueter	.....	D28/77
D443,137	S *	6/2001	Lai	.....	D28/83
D457,687	S *	5/2002	Millar	.....	D28/83
D505,518	S *	5/2005	Benjamin et al.	.....	D28/83
7,089,627	B2 *	8/2006	Seidler	.....	206/823
D564,133	S *	3/2008	Boye et al.	.....	D28/83
D583,997	S *	12/2008	Thorpe	.....	D28/83
2006/0201529	A1 *	9/2006	Huang	.....	132/301
2007/0235056	A1 *	10/2007	Vintimiglia et al.	.....	132/294
2008/0000493	A1 *	1/2008	Anderson et al.	.....	132/295

2009/0078279 A1\* 3/2009 Boye et al. .... 132/295

\* cited by examiner

*Primary Examiner*—Jennifer Rivard

(74) *Attorney, Agent, or Firm*—Robert L. Epstein; Epstein Drangel Bazerman & James, LLP

(57) **CLAIM**

The ornamental design for a make up case, substantially as shown and described.

**DESCRIPTION**

FIG. 1 is a perspective view of my design with the lid closed; FIG. 2 is a front elevation view of my design with the lid closed;

FIG. 3 is a rear elevation view of my design with the lid closed;

FIG. 4 is an elevation view showing one side of my design with the lid closed, the other side being the mirror image thereof;

FIG. 5 is a top plan view of my design with the lid closed;

FIG. 6 is a bottom plan view of my design with the lid closed; and,

FIG. 7 is a perspective view of my design with the lid open.

The dashed lines denote a mirror on the inside of the lid and circular recesses within which make up is situated and form no part of the present invention.

**1 Claim, 6 Drawing Sheets**

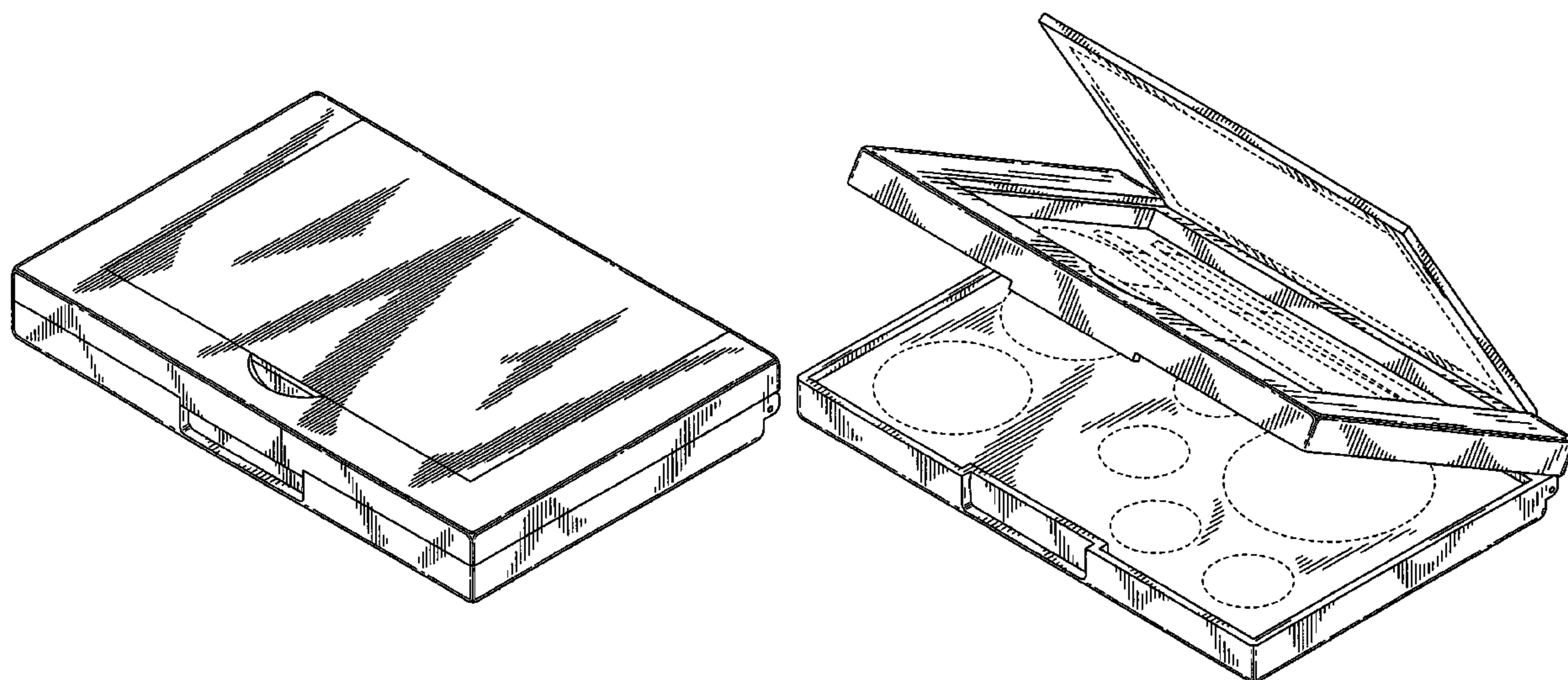


FIG. 1

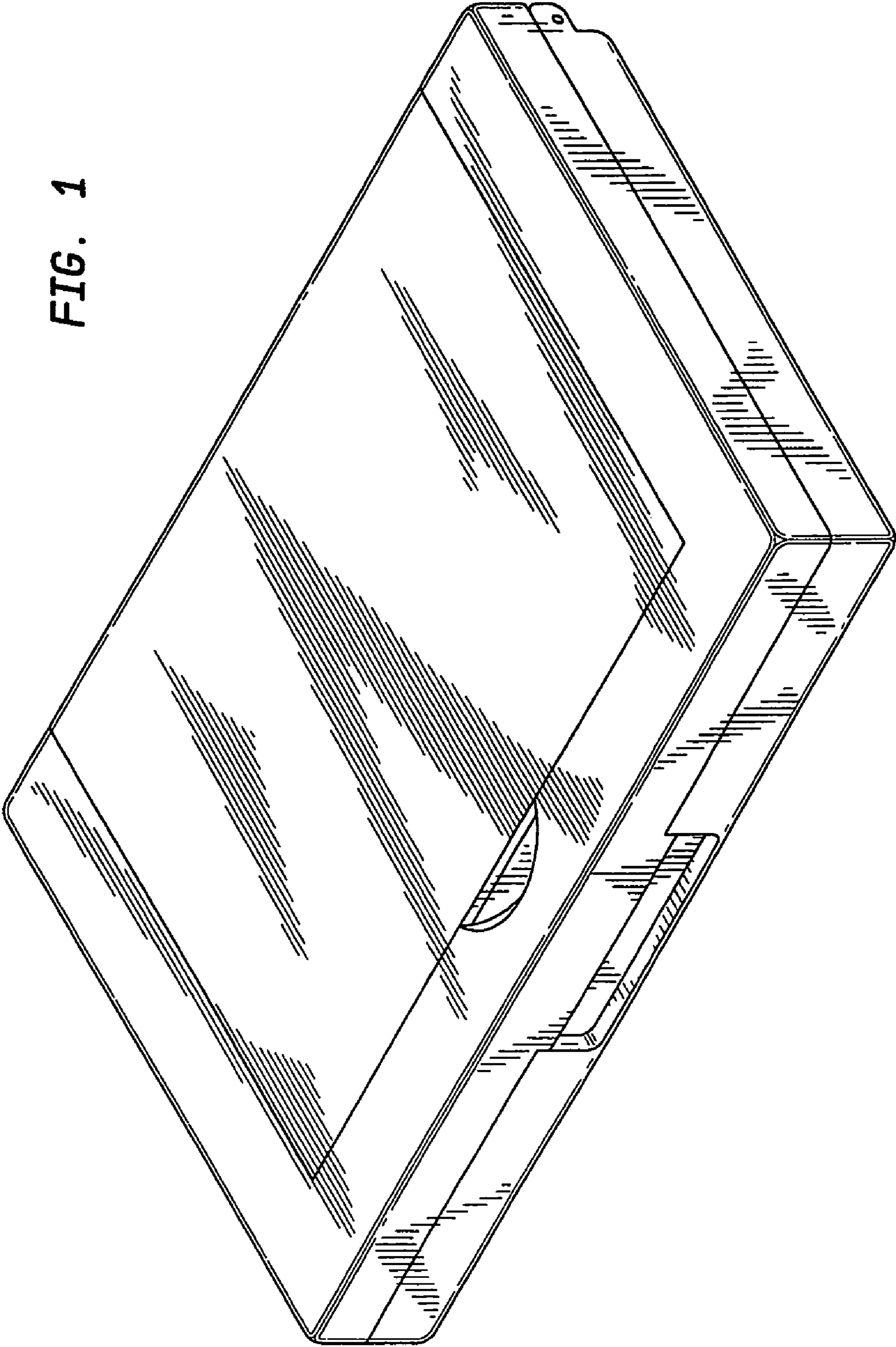
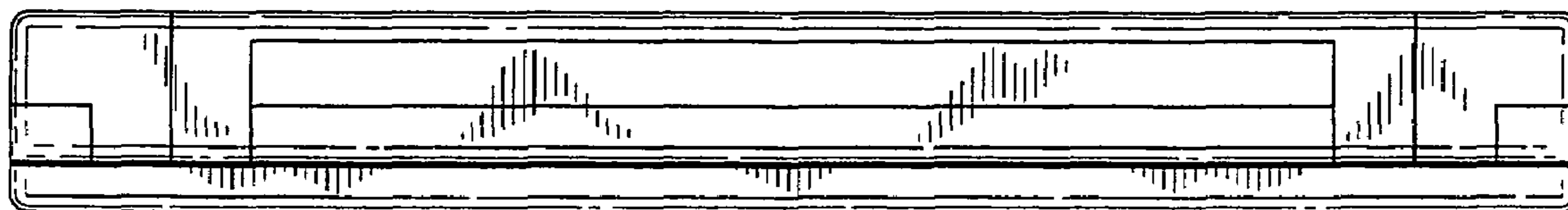


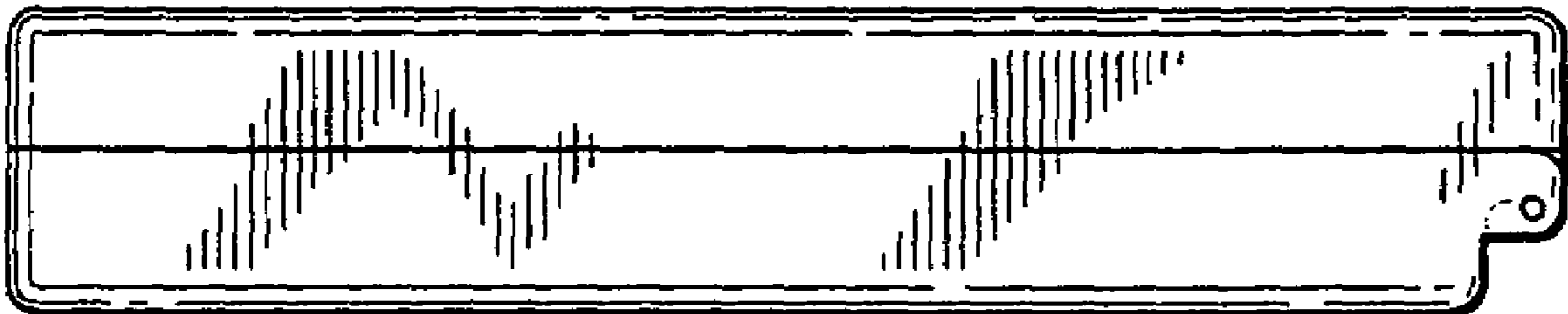
FIG. 2



FIG. 3



*FIG. 4*



*FIG. 5*

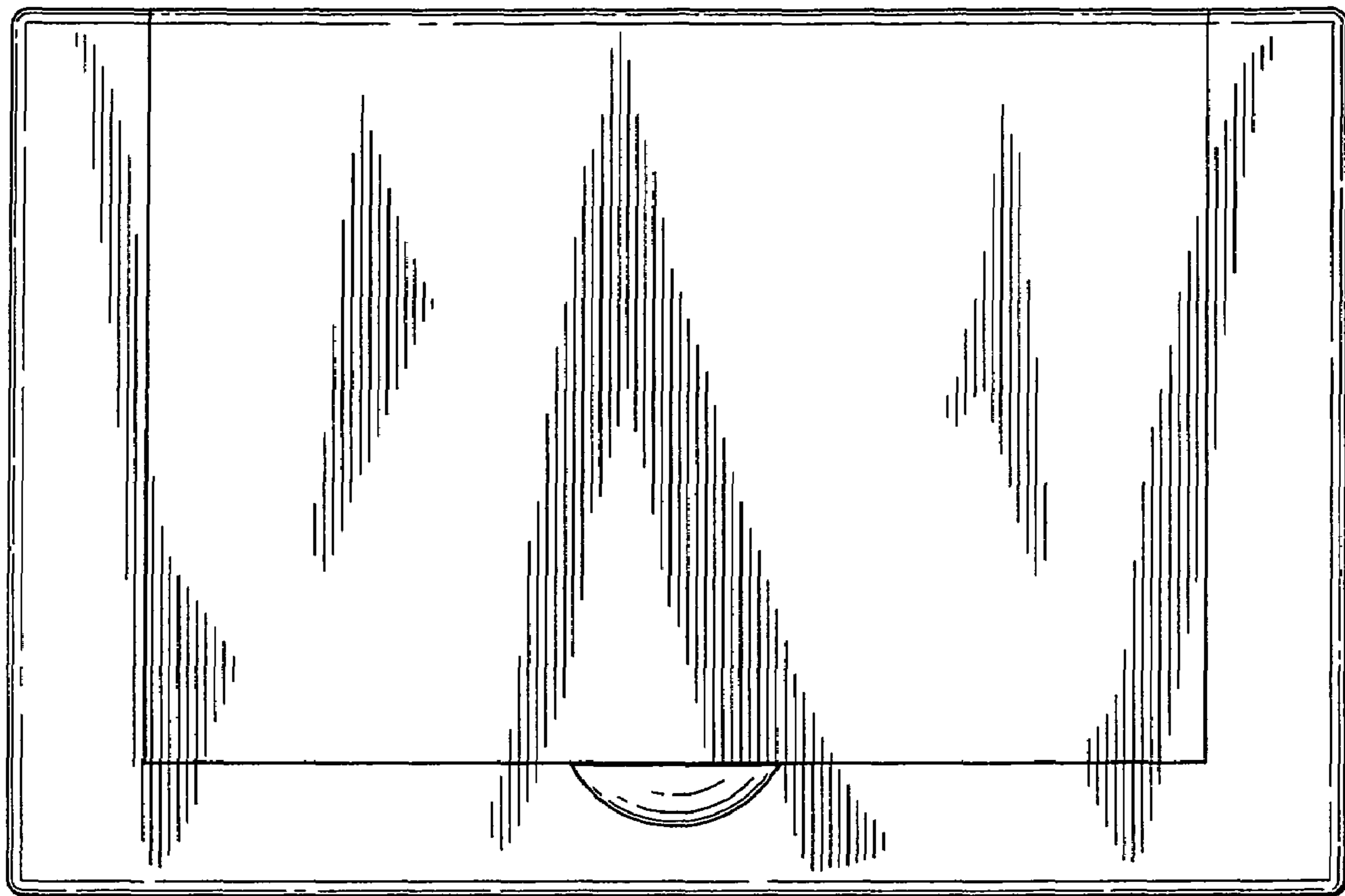


FIG. 6

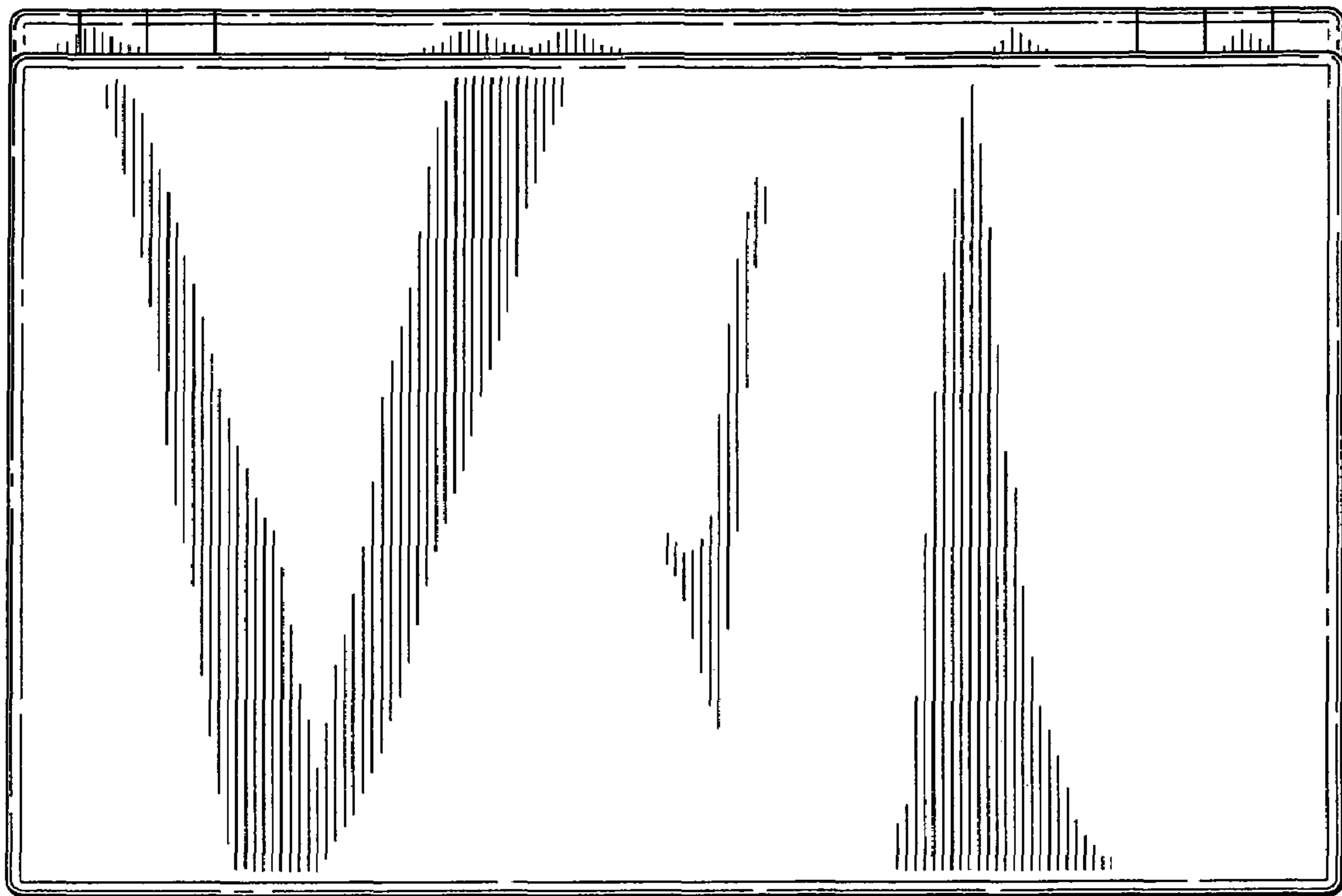


FIG. 7

