



US00D601756S

(12) **United States Design Patent**
Pires et al.

(10) **Patent No.:** **US D601,756 S**
(45) **Date of Patent:** **** Oct. 6, 2009**

(54) **COSMETIC CONTAINER**

(57) **CLAIM**

(75) Inventors: **Leo Clifford Pires**, Basking Ridge, NJ (US); **Roger Hwang**, Maple (CA); **Smitaa Srivastava**, New Delhi (IN); **Abhisek Basak**, New Delhi (IN); **Fiza Khan**, New Delhi (IN)

The ornamental design for a “cosmetic container,” as shown and described.

(73) Assignee: **Zen Design Solutions Limited**, Wanchai (HK)

DESCRIPTION

(**) Term: **14 Years**

Embodiments of the present invention generally relate to a new design for a cosmetic container. The invention relates to a design for a cosmetic container to be used for holding or storing two cosmetic or care products. Further, the container has a mirror at its rear end.

(21) Appl. No.: **29/321,903**

FIG. 1 illustrates an isometric view of a cosmetic container.

(22) Filed: **Jul. 25, 2008**

FIG. 2 is an isometric view of the cosmetic container showing the mirror in open position;

(51) **LOC (9) Cl.** **28-03**

FIG. 3 is a front view of the cosmetic container of FIG. 1;

(52) **U.S. Cl.** **D28/76; D28/86**

FIG. 4 is a front view of the cosmetic container of FIG. 1 showing the mirror in open position;

(58) **Field of Classification Search** D28/64.3,
D28/73, 76, 85–90; 132/314, 317, 318, 320;
206/385, 581, 823

FIG. 5 is a rear view of the cosmetic container of FIG. 1;

See application file for complete search history.

FIG. 6 is a rear view of the cosmetic container of FIG. 1 showing the mirror in open position;

(56) **References Cited**

U.S. PATENT DOCUMENTS

D120,662 S *	5/1940	Christy	D28/86
5,178,478 A	1/1993	Ryder		
D342,586 S	12/1993	Lobo		
D565,796 S	4/2008	Roher et al.		
2008/0298877 A1 *	12/2008	Prague	401/78

FIG. 7 is a right side view of the cosmetic container of FIG. 1,

FIG. 8 is a left side view of the cosmetic container of FIG. 1;

FIG. 9 is a top view of the cosmetic container of FIG. 1;

* cited by examiner

FIG. 10 a top view of the cosmetic container of FIG. 1 showing the mirror in open position;

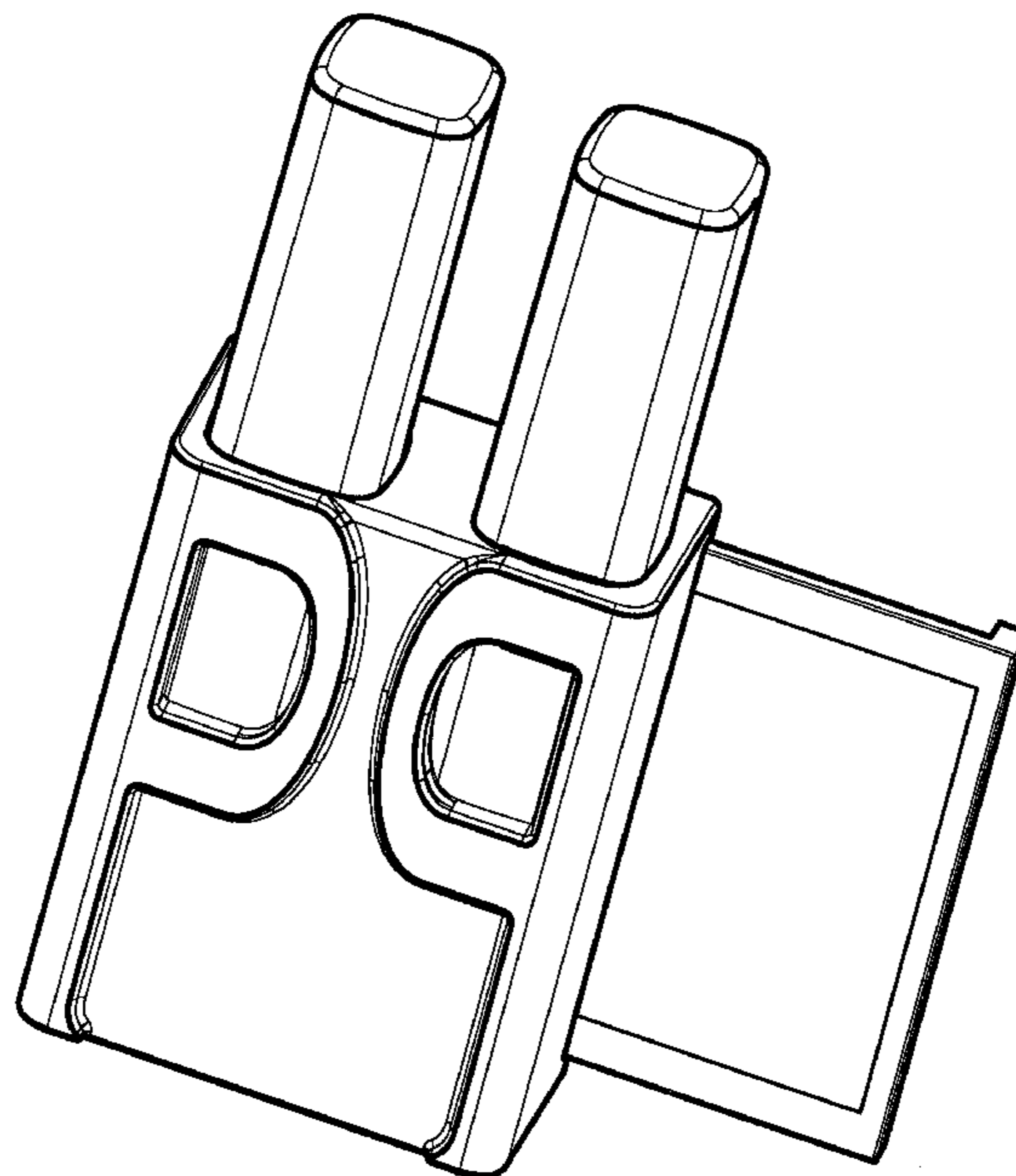
Primary Examiner—Jennifer Rivard

FIG. 11 is a bottom view of the cosmetic container of FIG. 1; and,

(74) *Attorney, Agent, or Firm*—Patterson & Sheridan, LLP;
Keith P. Taboada

FIG. 12 is a bottom view of the cosmetic container of FIG. 1 showing the mirror in open position.

1 Claim, 12 Drawing Sheets



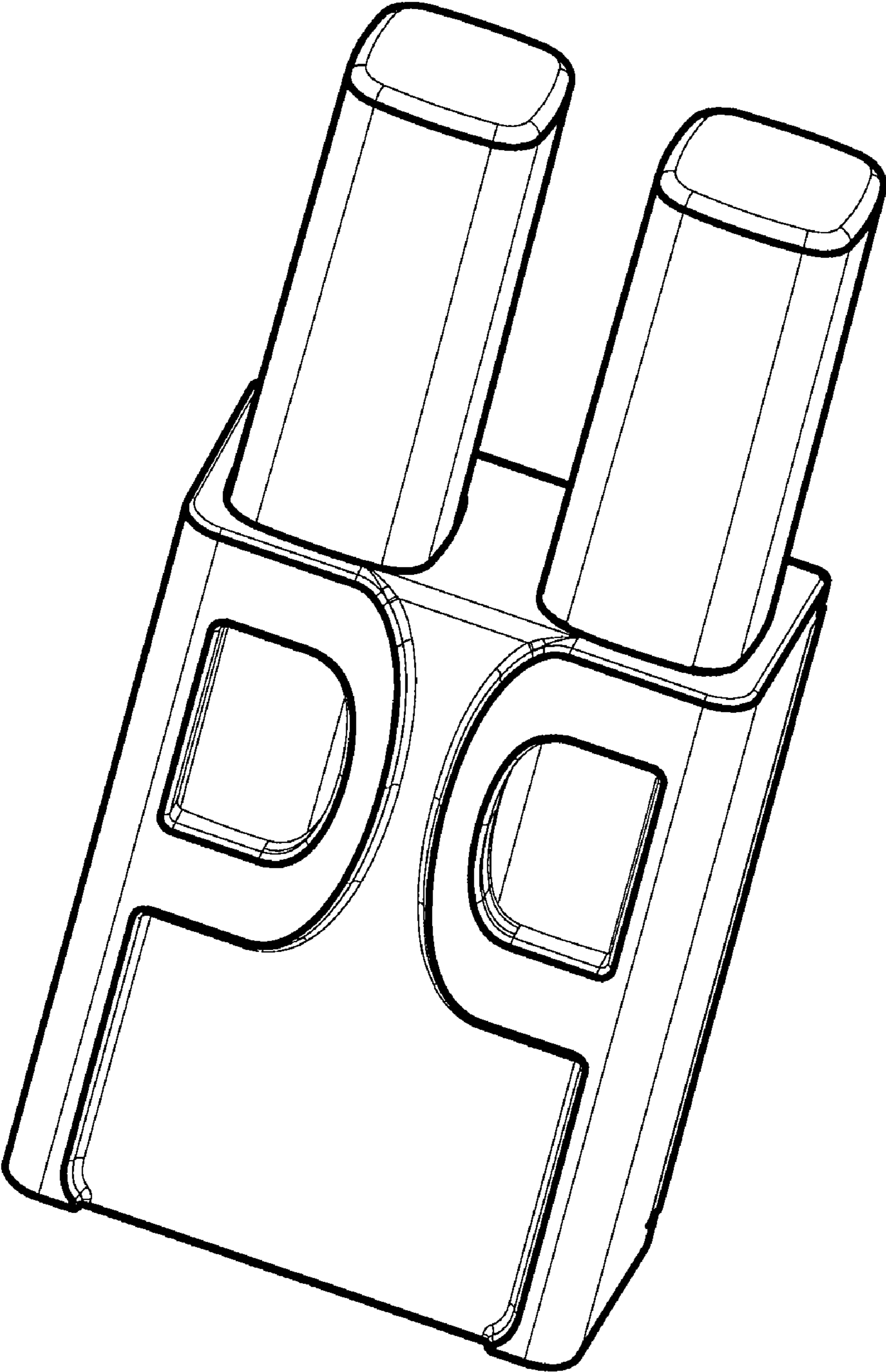


Fig. 1

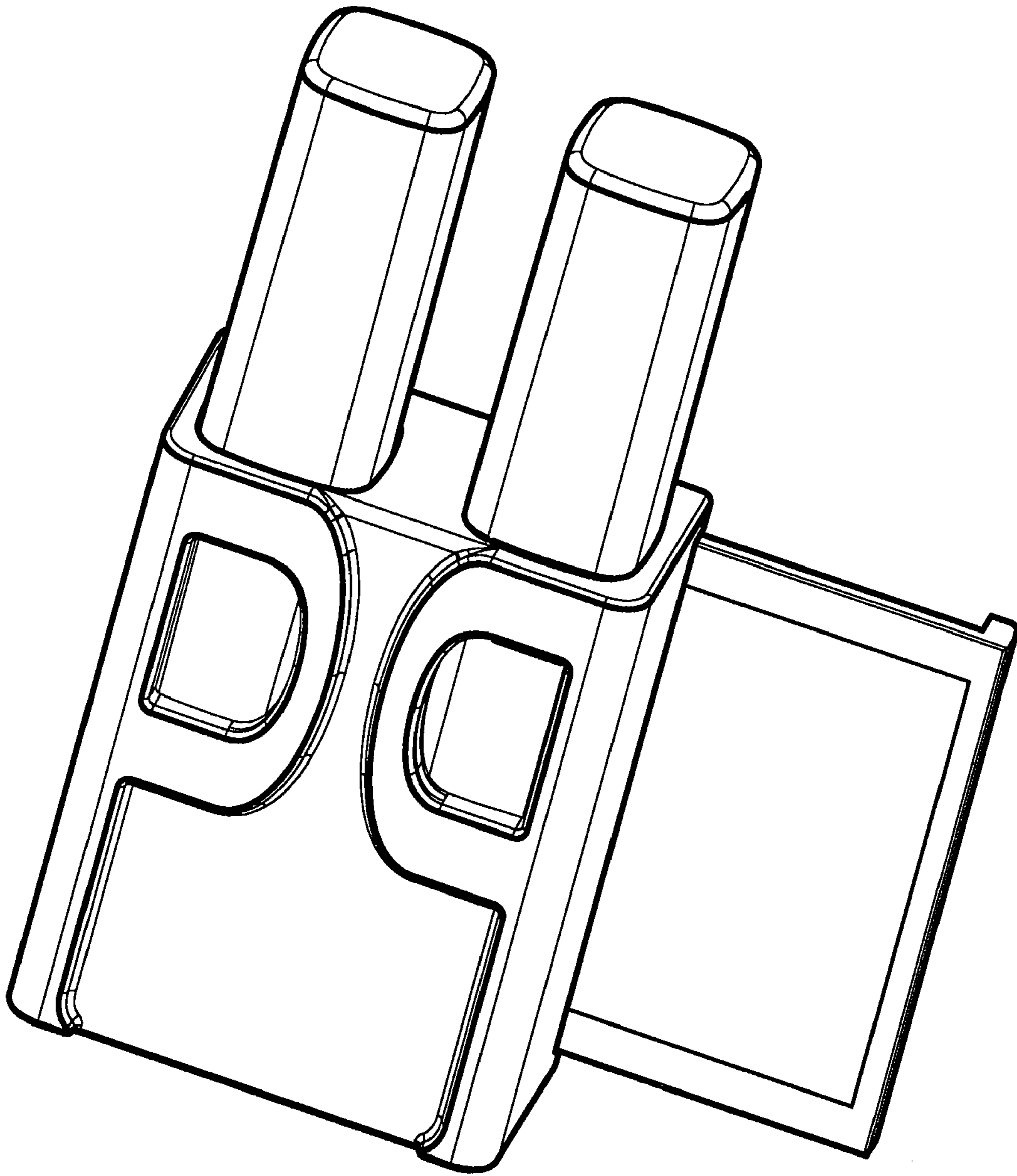


Fig. 2

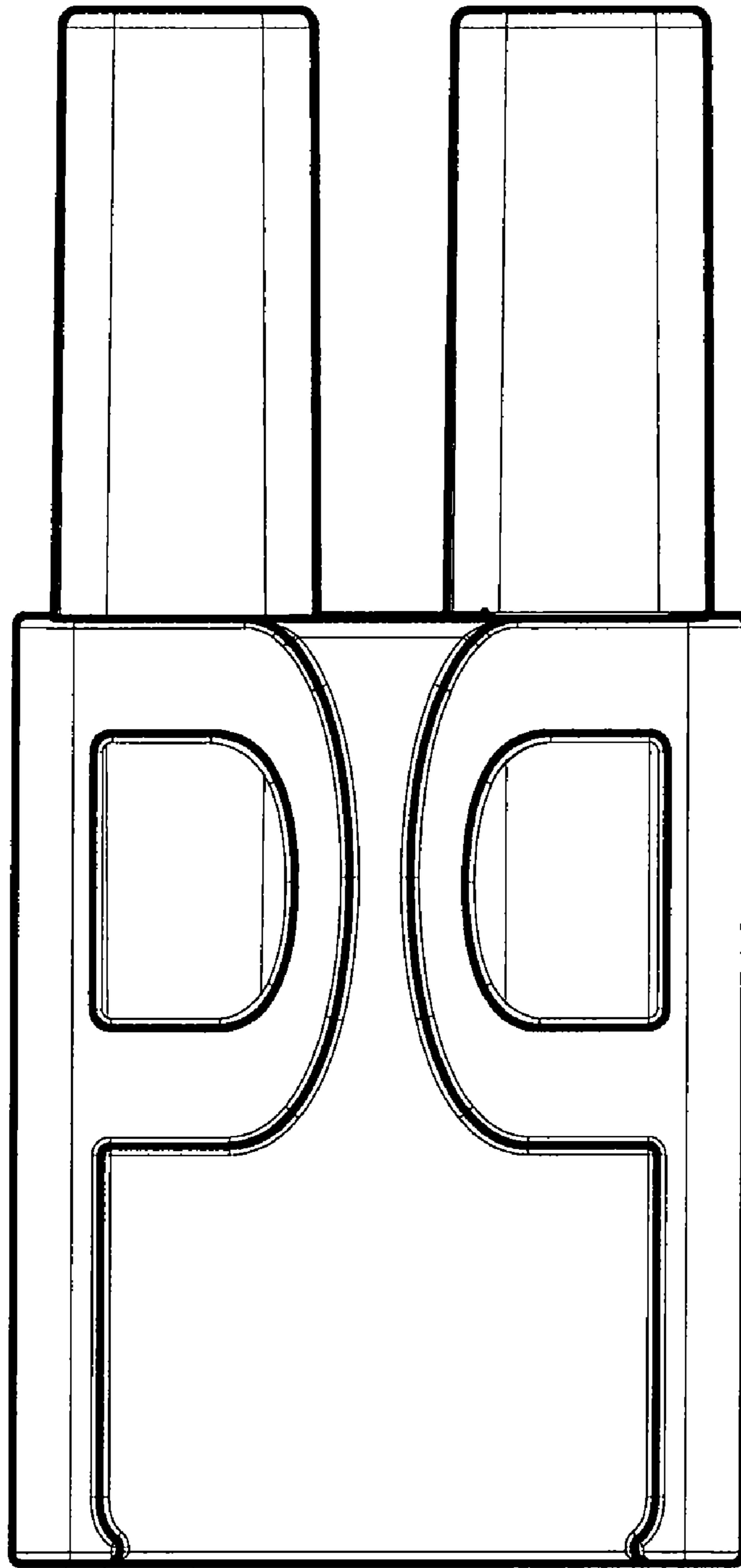


Fig. 3

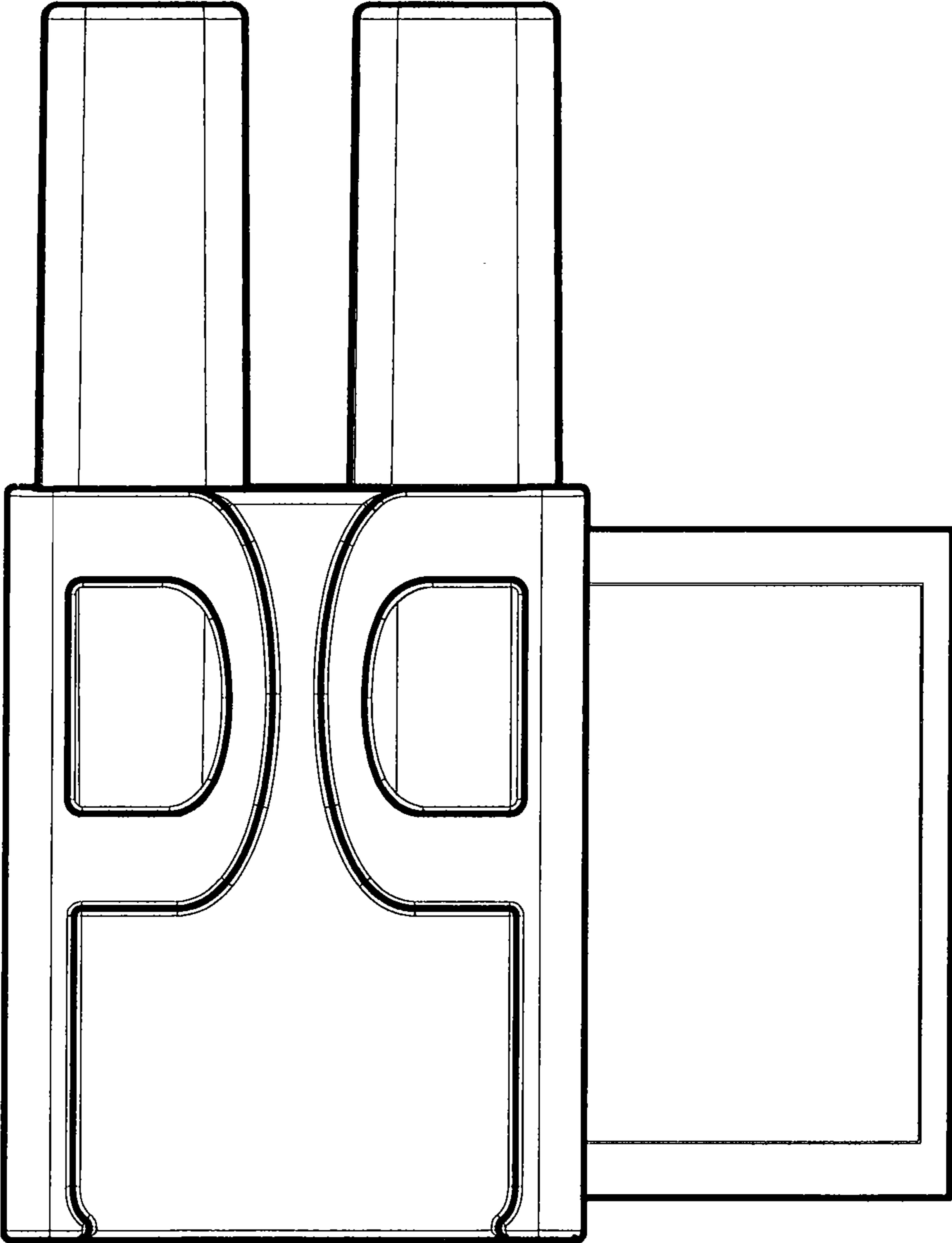


Fig. 4

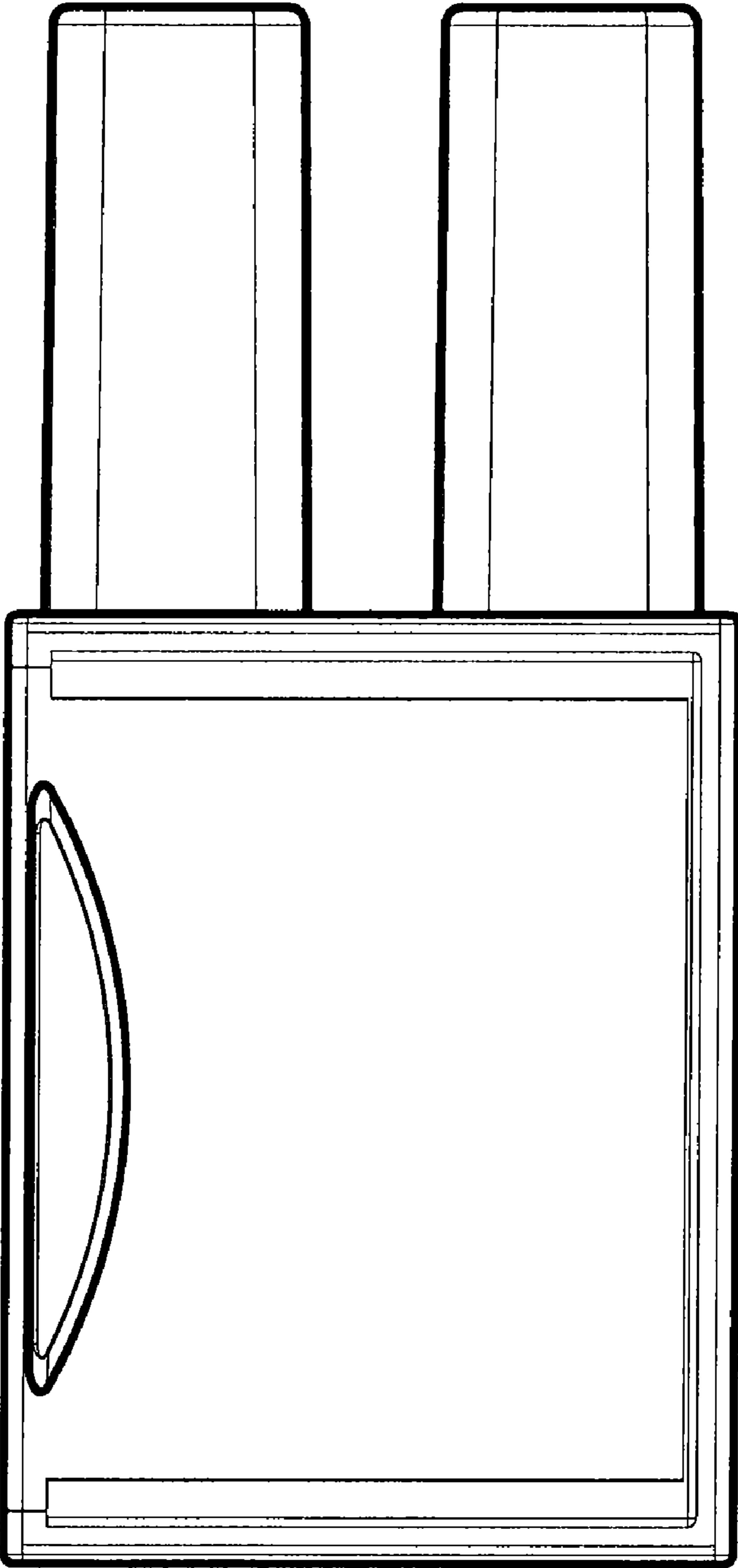


Fig. 5

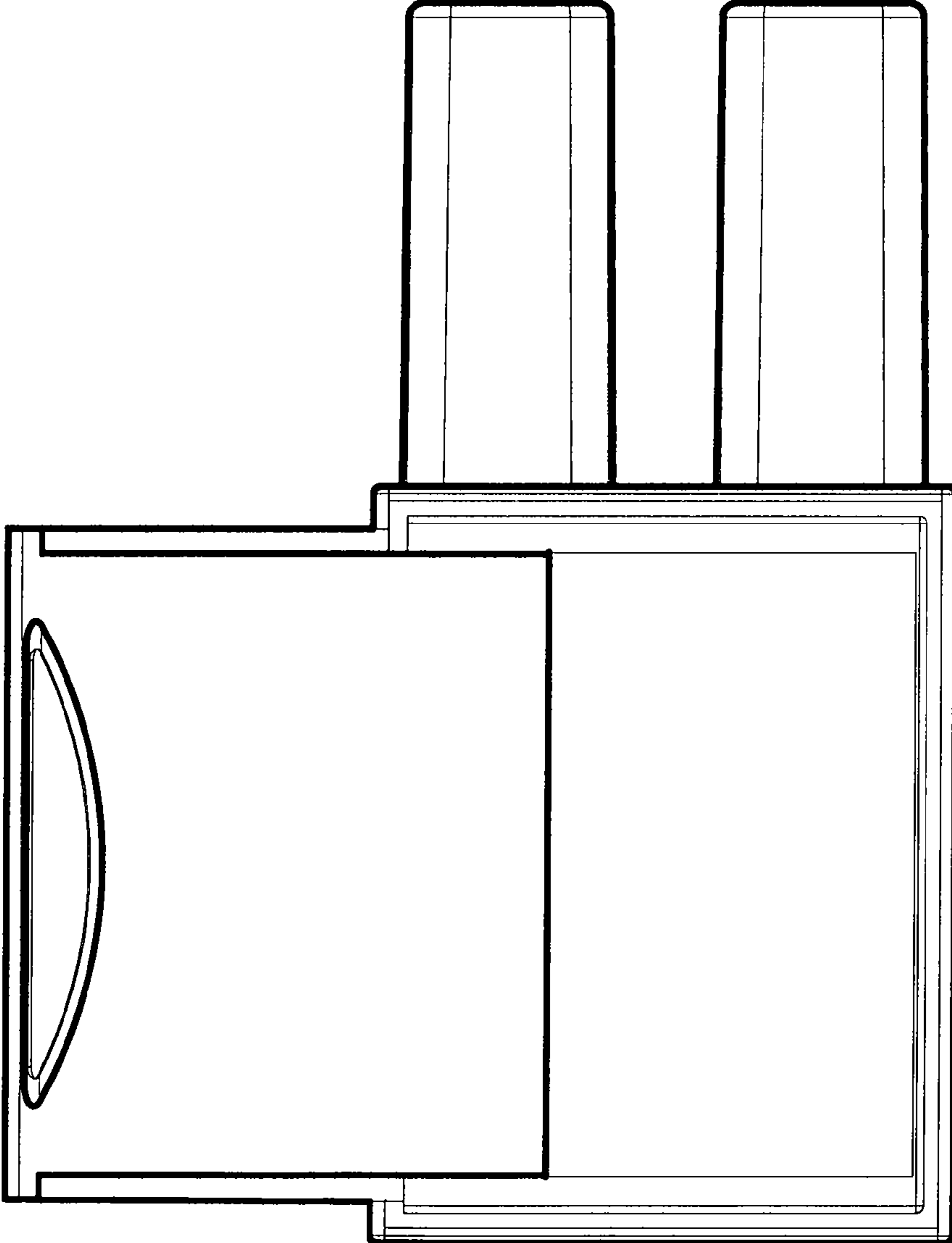


Fig. 6

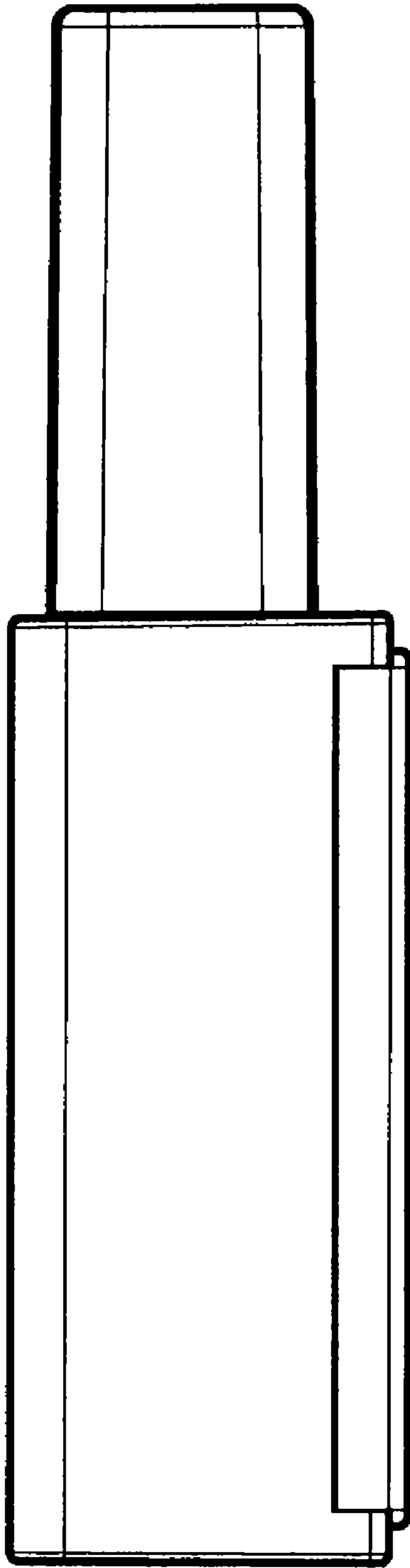


Fig. 7

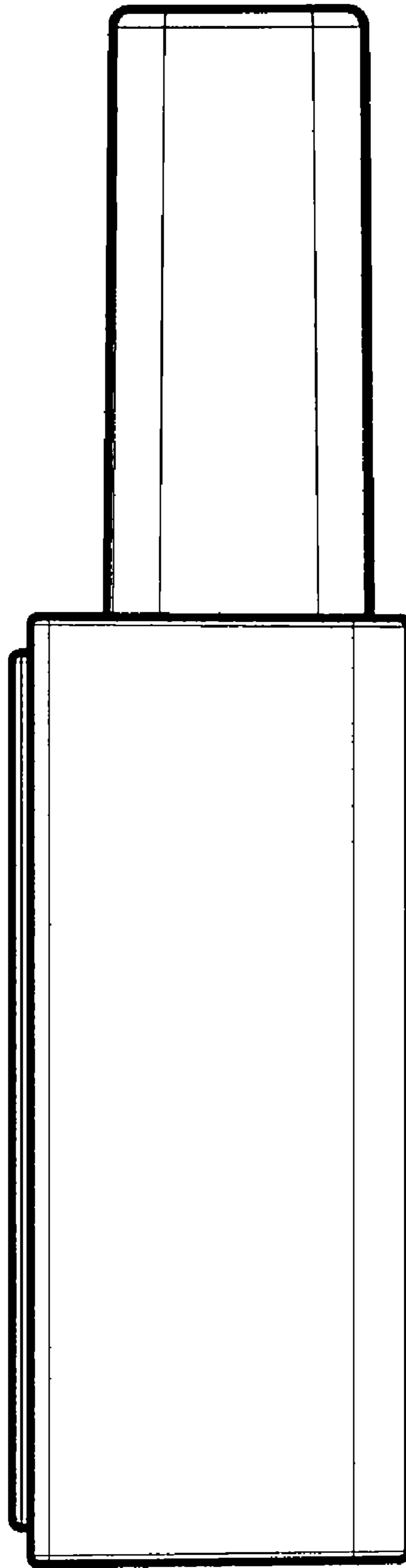


Fig. 8

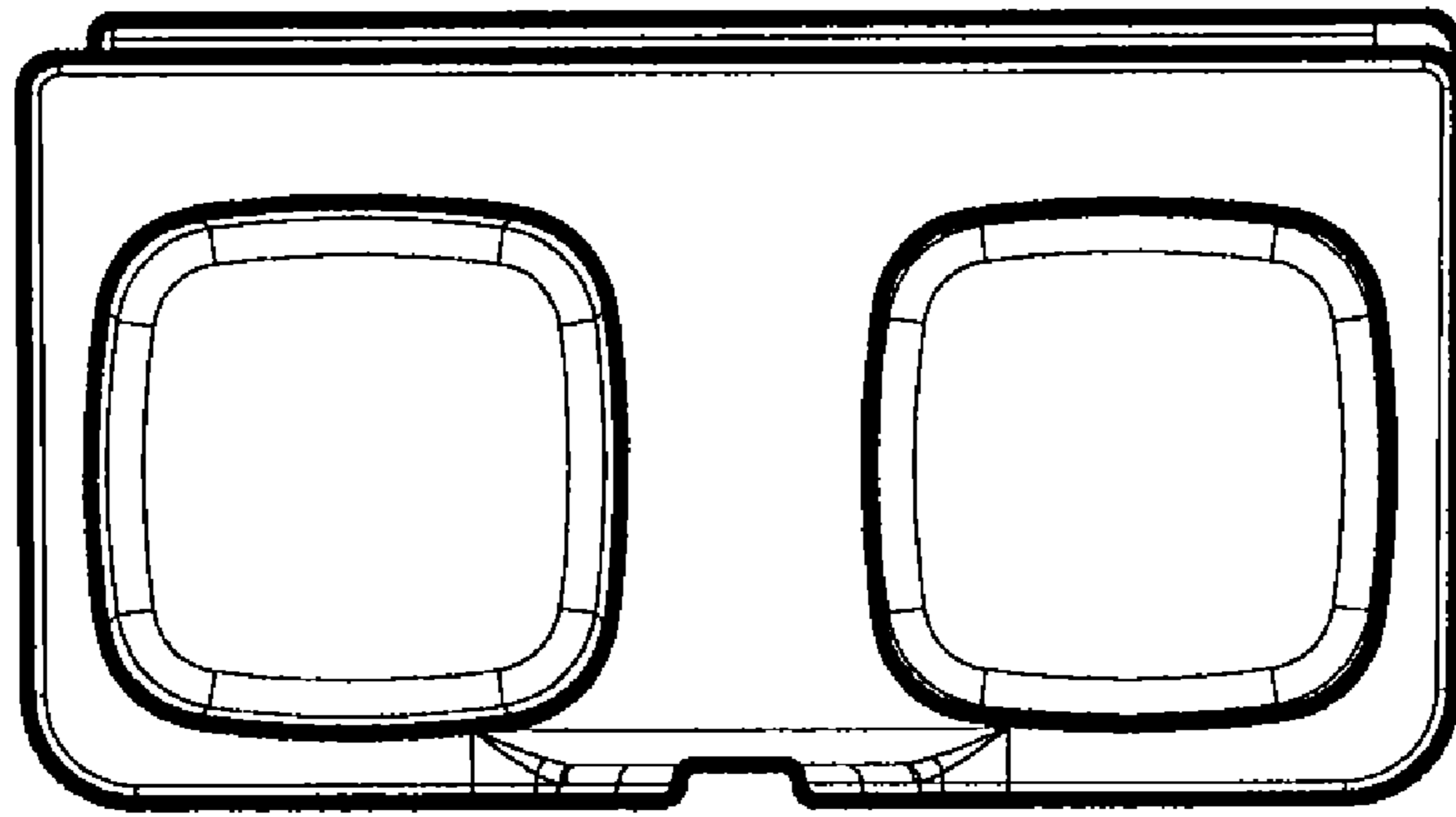


Fig. 9

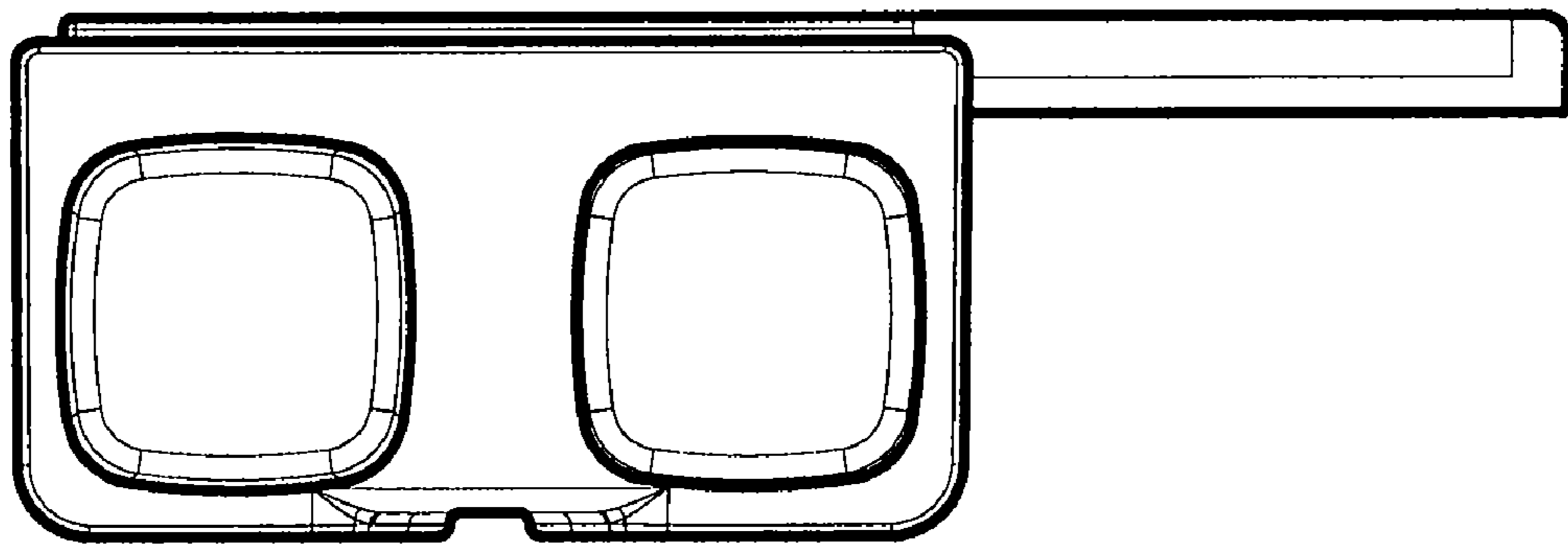


Fig. 10

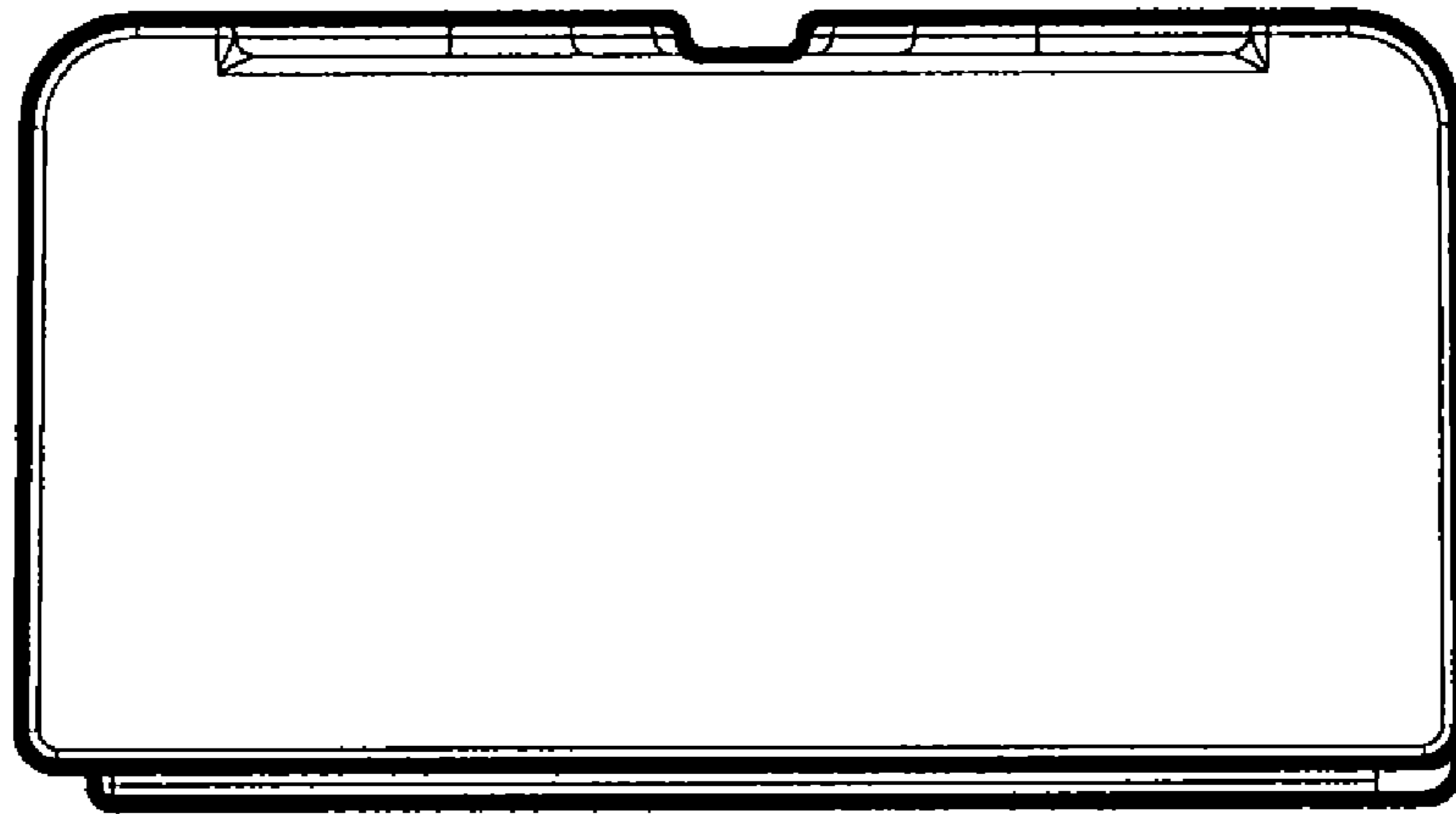


Fig. 11

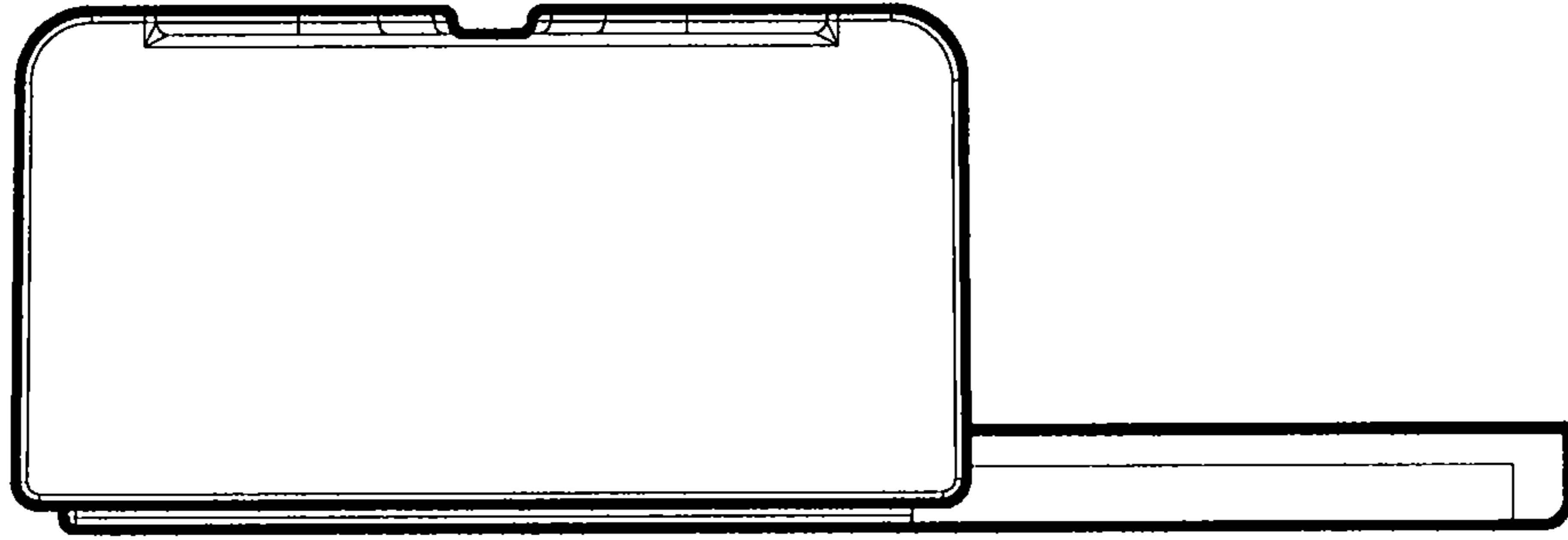


Fig. 12