



US00D601754S

(12) **United States Design Patent**
Keene

(10) **Patent No.:** **US D601,754 S**

(45) **Date of Patent:** **** Oct. 6, 2009**

(54) **SHAVING AID STRIP FOR A RAZOR
CARTRIDGE**

D456,563 S * 4/2002 Kwiecien et al. D28/47
D593,250 S * 5/2009 Nakasuka D28/47

(75) Inventor: **Andrew Russell Keene**, Stoneham, MA
(US)

* cited by examiner

Primary Examiner—Jennifer Rivard

(73) Assignee: **The Gillette Company**, Boston, MA
(US)

(74) *Attorney, Agent, or Firm*—John M. Lipchitz; Kevin C. Johnson; Steven W. Miller

(**) Term: **14 Years**

(57) **CLAIM**

(21) Appl. No.: **29/329,807**

The ornamental design for a shaving aid strip for a razor cartridge, as shown and described.

(22) Filed: **Dec. 22, 2008**

DESCRIPTION

(51) **LOC (9) Cl.** **28-03**

FIG. 1 is a perspective view of a shaving aid strip for a razor cartridge of the present invention;

(52) **U.S. Cl.** **D28/47**

FIG. 2 is a front elevational view thereof;

(58) **Field of Classification Search** 30/32,

FIG. 3 is a rear elevational view thereof;

30/34.05, 34.1, 34.2, 41–41.8, 44–45, 47–51,

FIG. 4 is a right side elevational view thereof;

30/53–58, 526–533, 537, 77–83, 538; D28/44.1–48

FIG. 5 is a left side elevational view thereof;

See application file for complete search history.

FIG. 6 is a top plan view thereof; and,

(56) **References Cited**

FIG. 7 is a bottom plan view thereof.

U.S. PATENT DOCUMENTS

The broken lines are shown for illustrative purposes only and form no part of the claimed design.

D424,745 S 5/2000 Tseng et al.

D436,691 S 1/2001 Kwiecien et al.

D447,283 S * 8/2001 Tseng et al. D28/47

6,295,733 B1 * 10/2001 Wexler et al. 30/41

1 Claim, 2 Drawing Sheets

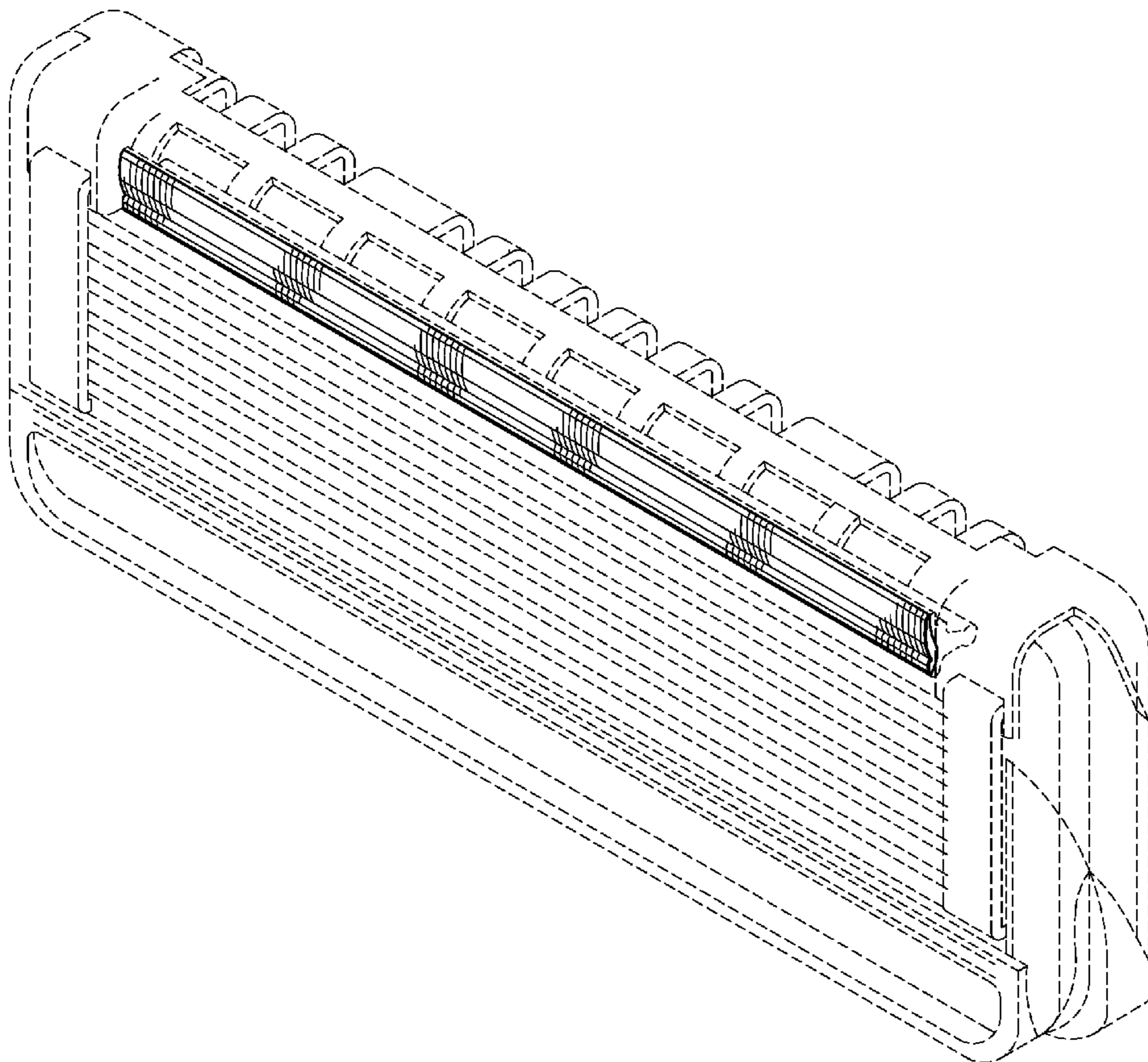


FIG. 1

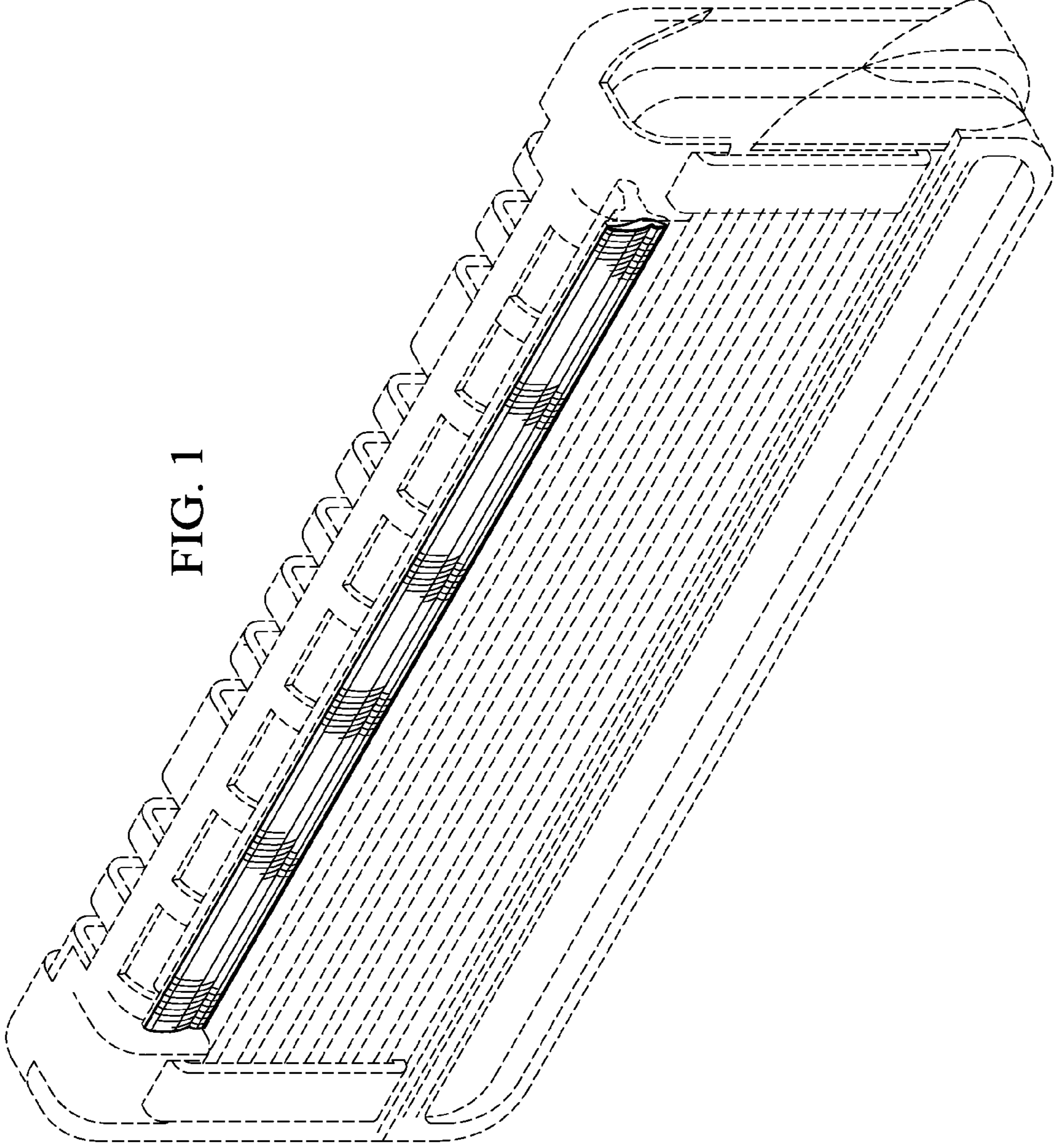


FIG. 2

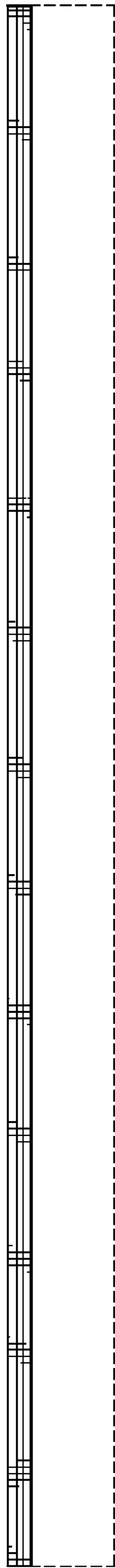


FIG. 3

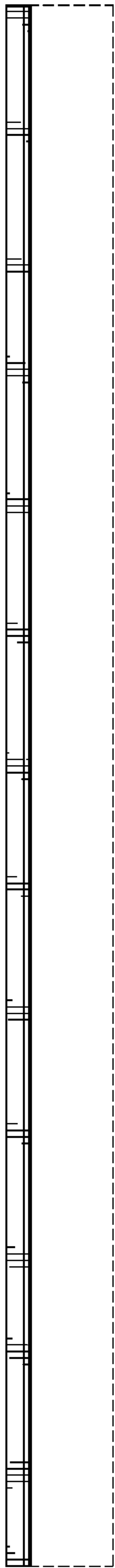


FIG. 4

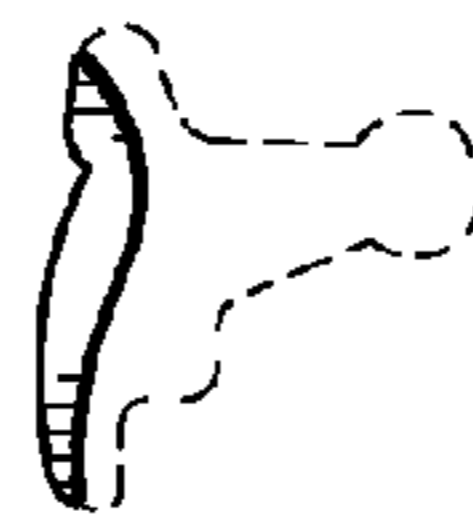


FIG. 5

FIG. 6

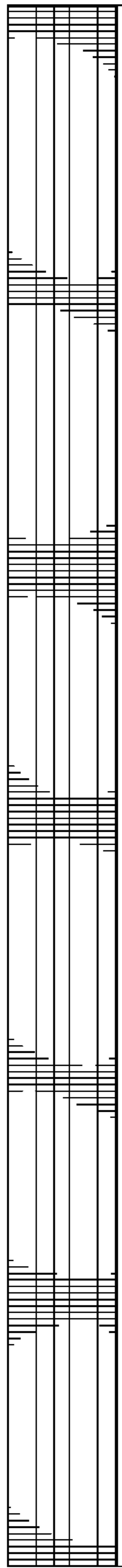


FIG. 7

