



US00D601753S

(12) **United States Design Patent**
Cataudella et al.

(10) **Patent No.:** **US D601,753 S**

(45) **Date of Patent:** **** Oct. 6, 2009**

(54) **SHAVING RAZOR CARTRIDGE**

(75) Inventors: **Matthew Corey Cataudella**, South
Boston, MA (US); **Edward Neill**
Forsdike, Reading (GB); **Alejandro**
Carlos Lee, Cambridge, MA (US)

(73) Assignee: **The Gillette Company**, Boston, MA
(US)

(**) Term: **14 Years**

(21) Appl. No.: **29/328,364**

(22) Filed: **Nov. 24, 2008**

(51) **LOC (9) Cl.** **28-03**

(52) **U.S. Cl.** **D28/47**

(58) **Field of Classification Search** 30/32,
30/34.05, 34.1, 34.2, 41-41.8, 44-45, 47-51,
30/53-58, 526-533, 537, 77-83, 538; D28/44.1-48
See application file for complete search history.

(56) **References Cited**

U.S. PATENT DOCUMENTS

1,497,647	A	6/1924	Smith	
1,651,917	A	12/1927	Connolly	
4,069,580	A	1/1978	Cartwright et al.	
4,392,303	A	7/1983	Ciaffone	
4,741,103	A	5/1988	Hultman	
5,331,740	A	7/1994	Carson, III et al.	
5,412,872	A *	5/1995	Iderosa	30/50
5,475,923	A *	12/1995	Ferraro	30/51
5,590,468	A	1/1997	Prochaska	
5,630,275	A	5/1997	Wexler	

5,855,071	A	1/1999	Apprille, Jr. et al.	
D467,387	S *	12/2002	Wonderley	D28/45
6,584,696	B2	7/2003	Ferraro	
D499,511	S *	12/2004	Wakayama	D28/46
7,200,942	B2 *	4/2007	Richard	30/526
D552,795	S *	10/2007	Wonderley	D28/46
2007/0193042	A1	8/2007	Worrick et al.	

FOREIGN PATENT DOCUMENTS

WO WO 2006/086314 A1 8/2006

* cited by examiner

Primary Examiner—Jennifer Rivard

(74) *Attorney, Agent, or Firm*—John M. Lopchitz; Kevin C.
Johnson; Steven W. Miller

(57) **CLAIM**

The ornamental design for a shaving razor cartridge, as shown
and described.

DESCRIPTION

FIG. 1 is a top perspective view of the shaving razor cartridge;
FIG. 2 is a right elevation view of the shaving razor cartridge;
FIG. 3 is a front elevation view of the shaving razor cartridge;
FIG. 4 is a rear elevation view of the shaving razor cartridge.
FIG. 5 is a left elevation view of the shaving razor cartridge;
FIG. 6 is a top plan view of the shaving razor cartridge; and,
FIG. 7 is a bottom plan view of the shaving razor cartridge.

The broken lines are shown for illustrative purposes only and
form not part of the claimed design.

1 Claim, 5 Drawing Sheets

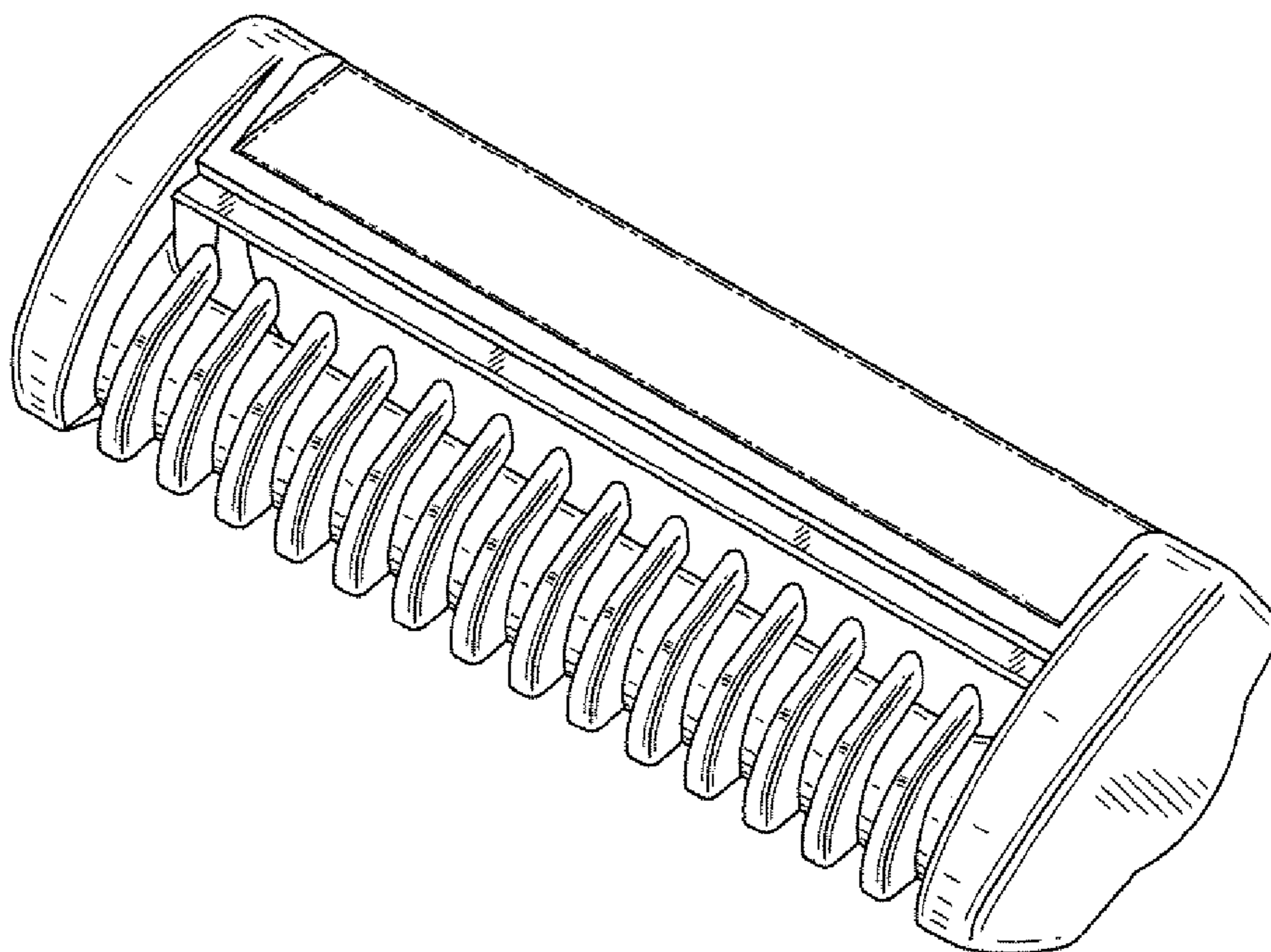


FIG. 1

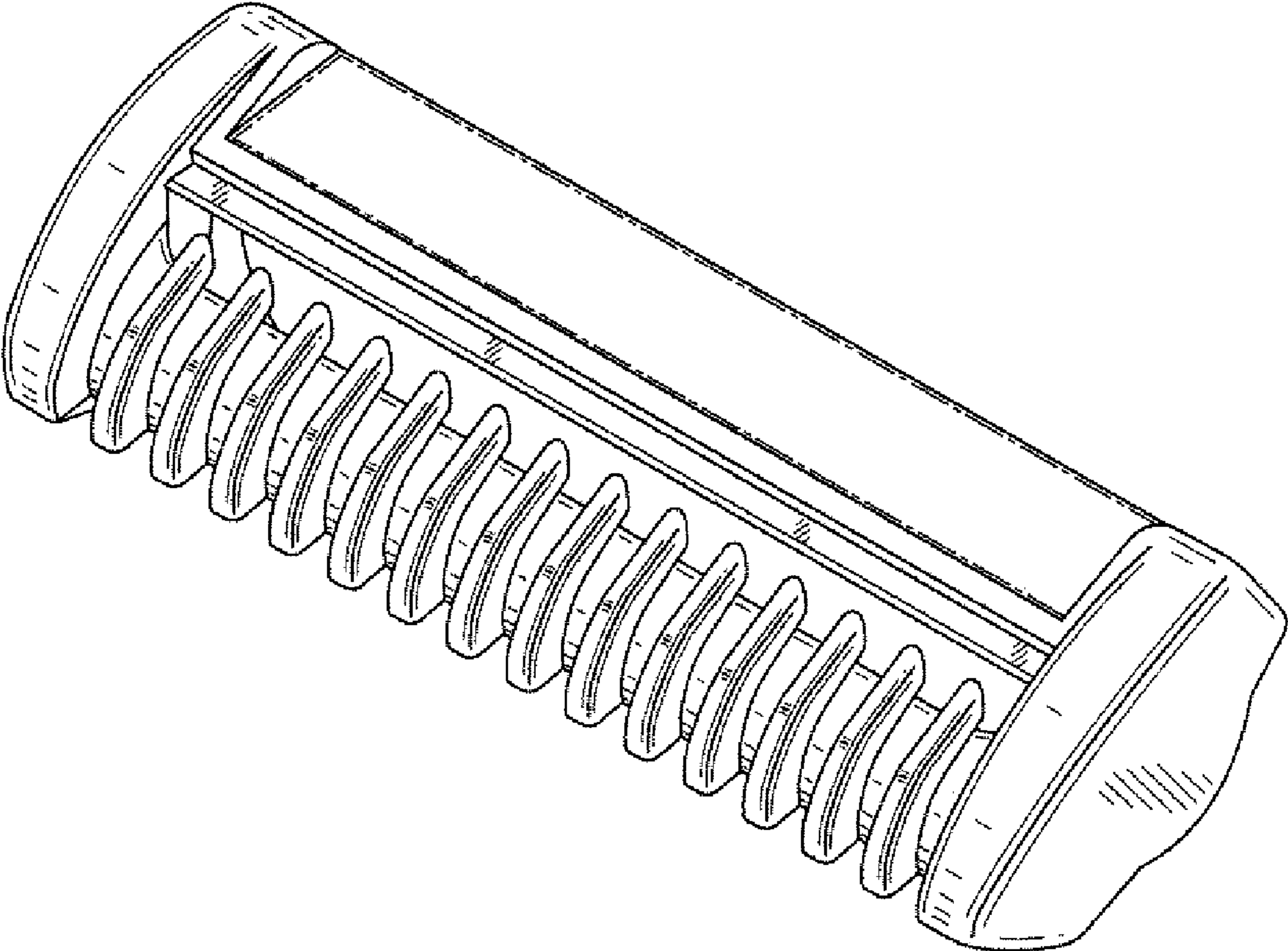


FIG. 2

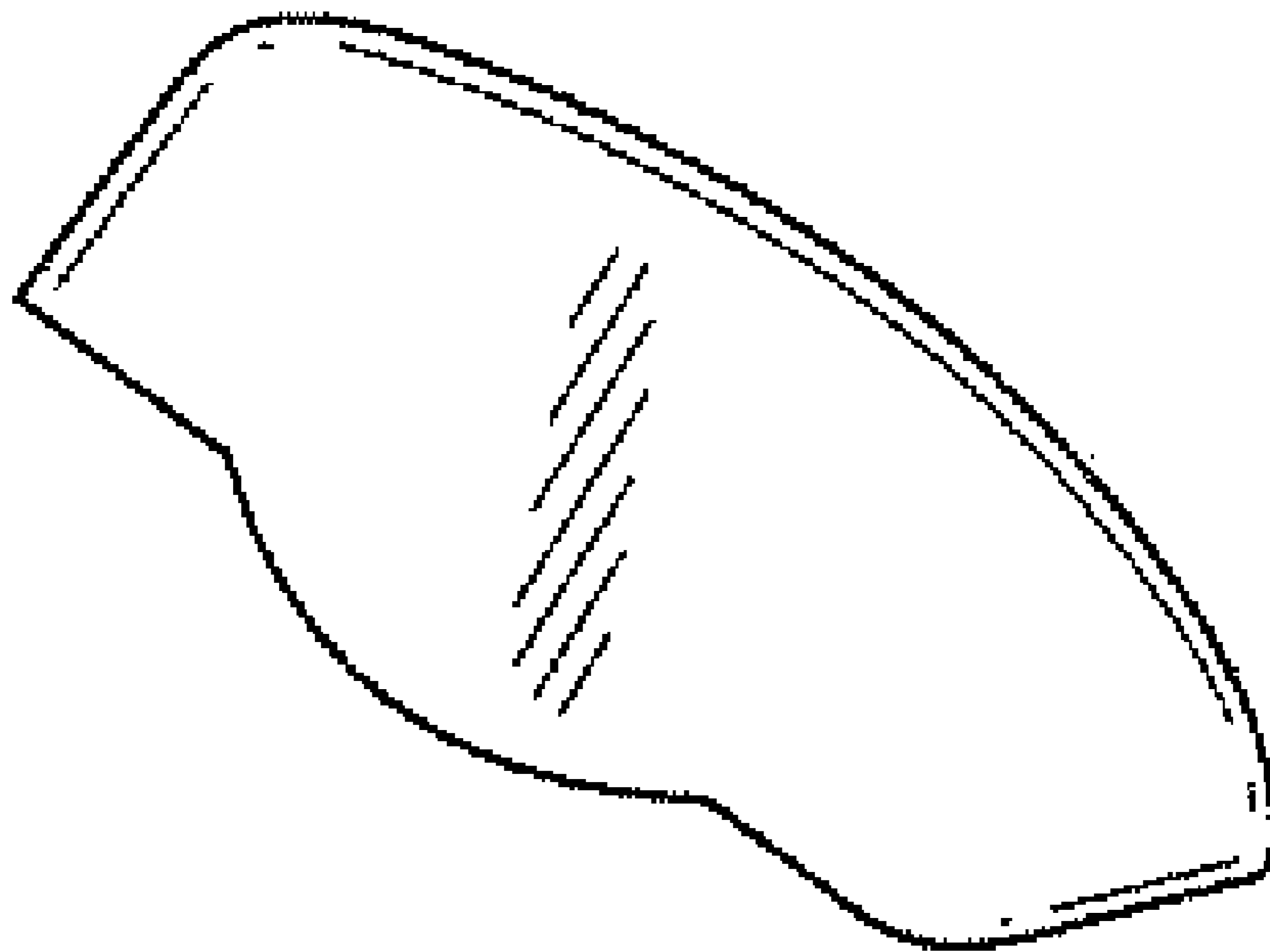


FIG. 3

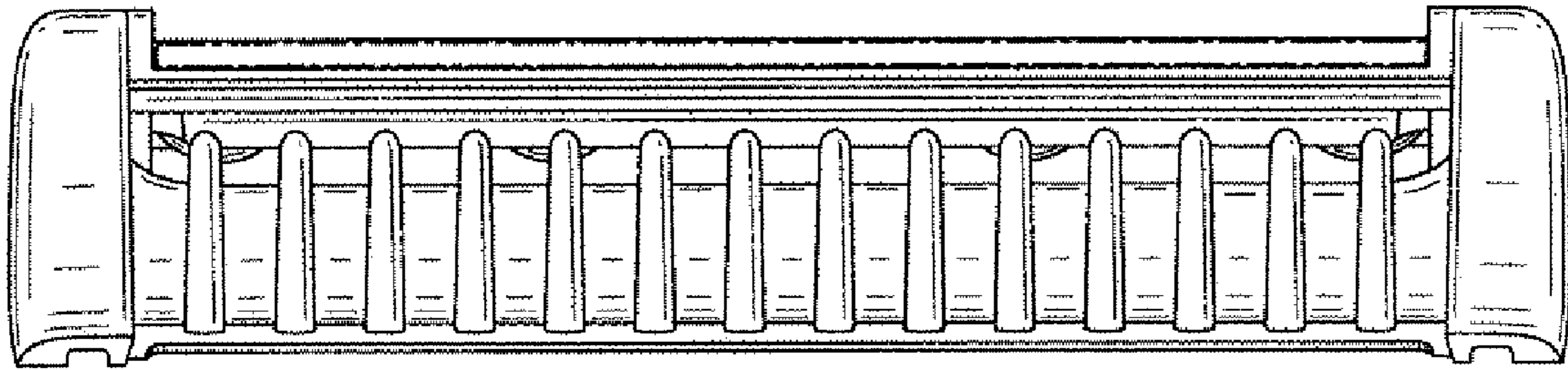


FIG. 4

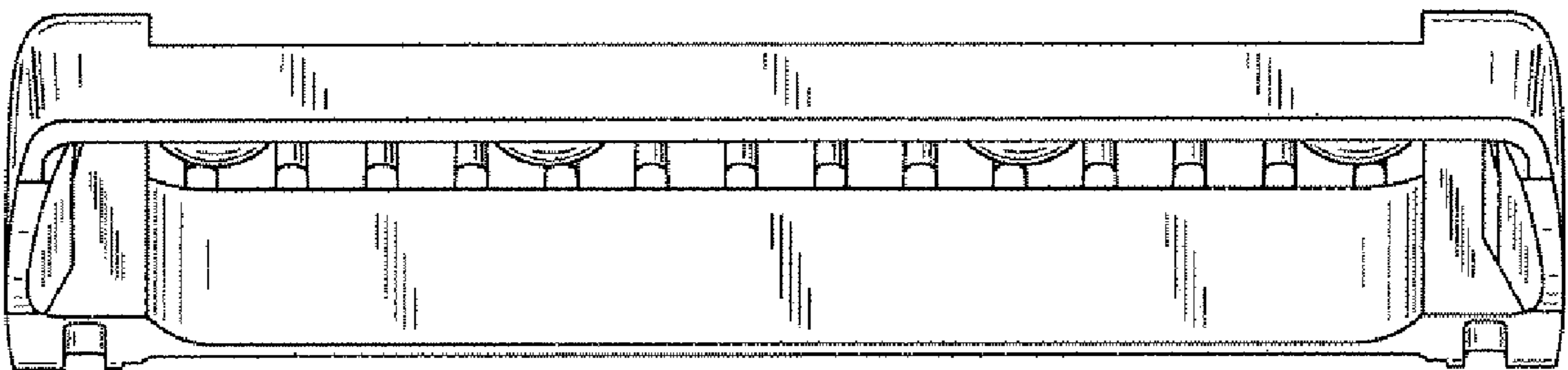


FIG. 5

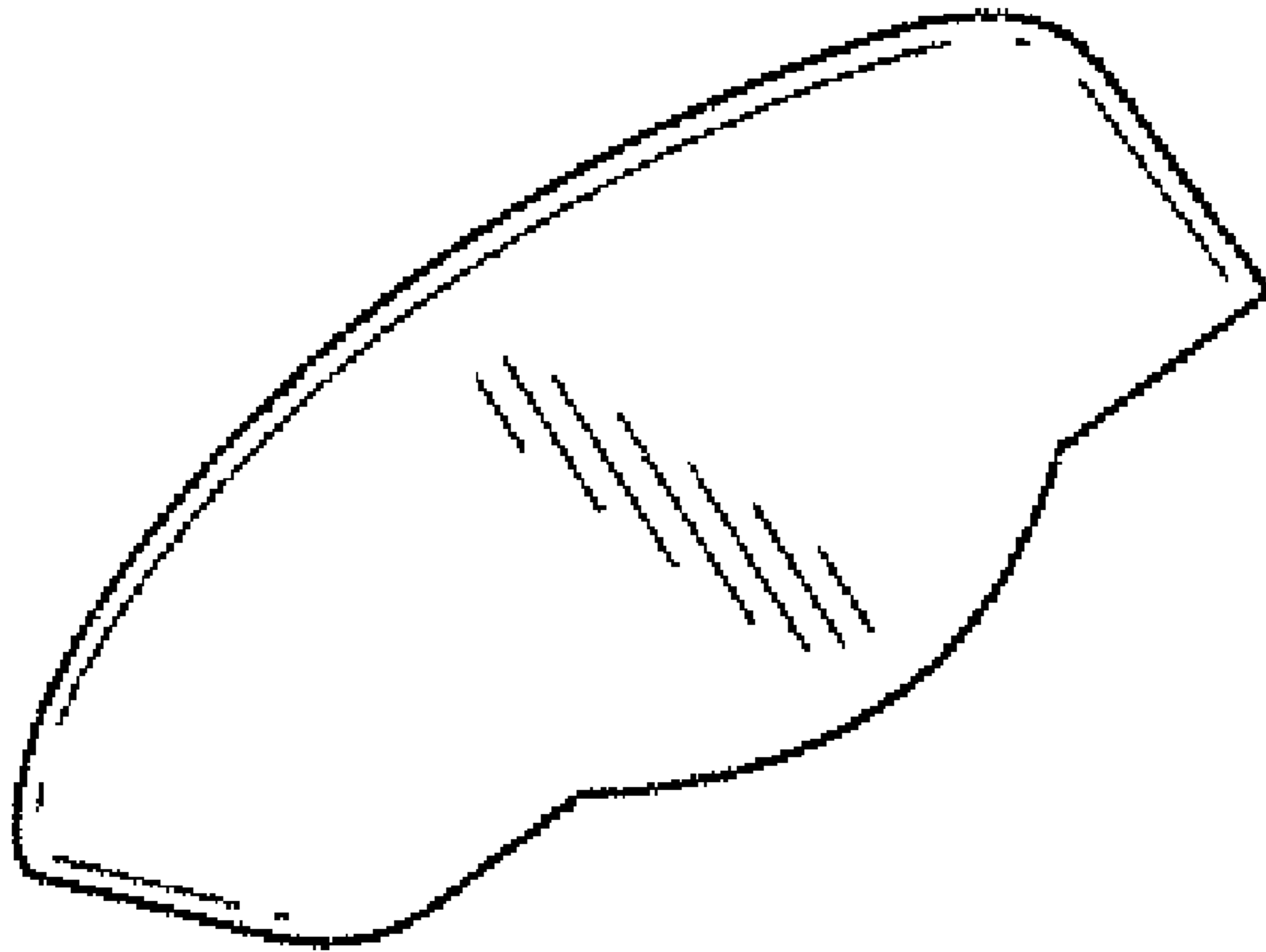


FIG. 6

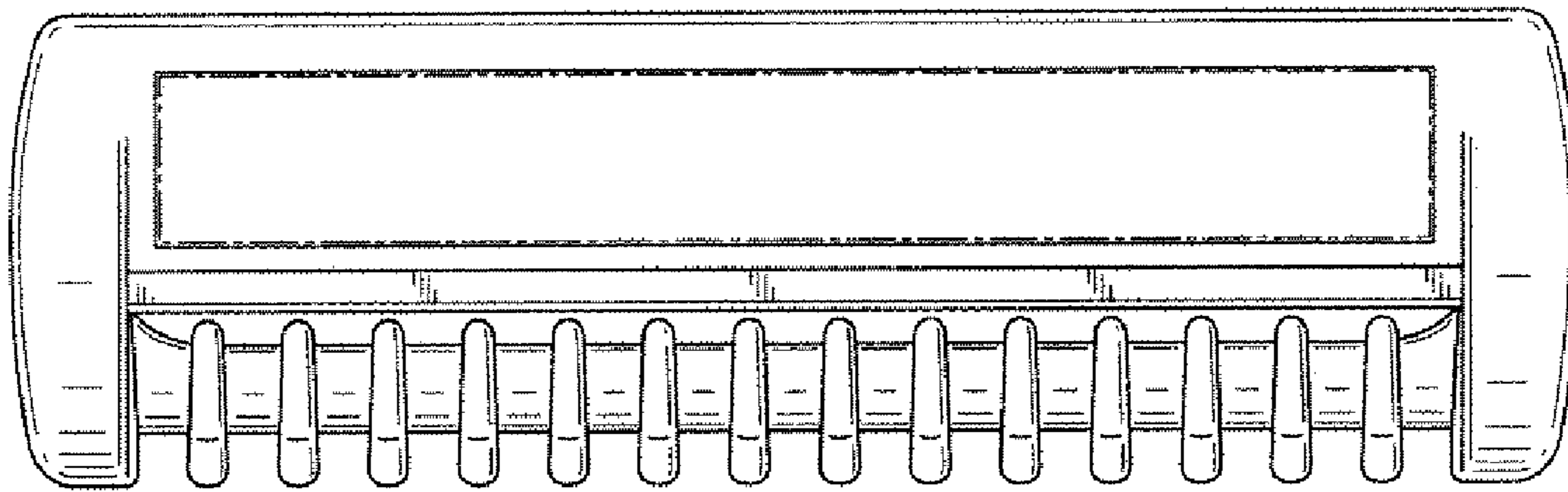
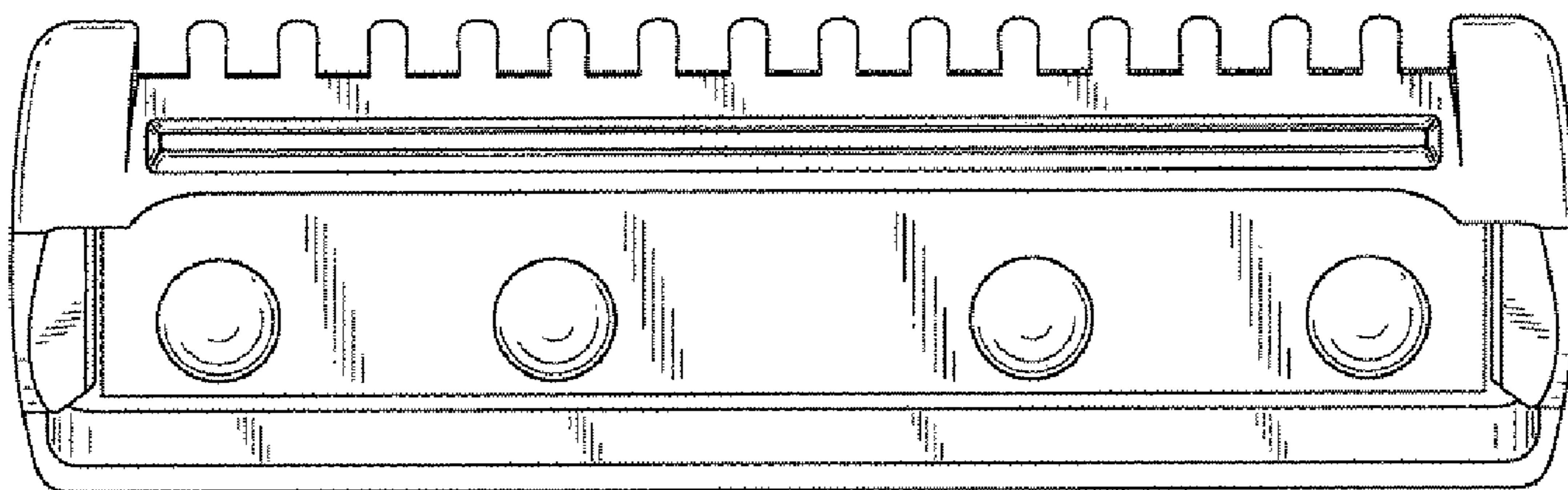


FIG. 7



UNITED STATES PATENT AND TRADEMARK OFFICE
Certificate

Patent No. D601,753 S

Patented: October 6, 2009

On petition requesting issuance of a certificate for correction of inventorship pursuant to 35 U.S.C. 256, it has been found that the above identified patent, through error and without any deceptive intent, improperly sets forth the inventorship.

Accordingly, it is hereby certified that the correct inventorship of this patent is: Matthew Corey Cataudella, South Boston, MA (US); Edward Neill Forsdike, Reading (GB); Alejandro Carlos Lee, Cambridge, MA (US); and Kevin Wain, Reading (GB).

Signed and Sealed this Twelfth Day of January 2010.

CATHRON C. BROOKS
Supervisory Patent Examiner
Art Unit 2911