



US00D601750S

(12) **United States Design Patent**
Eigenstetter

(10) **Patent No.:** **US D601,750 S**

(45) **Date of Patent:** **** Oct. 6, 2009**

(54) **HAIR DRYER**

(75) Inventor: **Bernd Eigenstetter**, Munich (DE)

(73) Assignee: **Wella Aktiengesellschaft**, Darmstadt (DE)

(**) Term: **14 Years**

(21) Appl. No.: **29/307,393**

(22) Filed: **Apr. 17, 2008**

(30) **Foreign Application Priority Data**

Oct. 19, 2007 (DE) 000812003-0001

(51) **LOC (9) Cl.** **28-03**

(52) **U.S. Cl.** **D28/13**

(58) **Field of Classification Search** D28/12-19;
34/96-101, 201; 392/380, 381, 383-385
See application file for complete search history.

(56) **References Cited**

U.S. PATENT DOCUMENTS

235,383 A	12/1880	Rowland
1,790,283 A	1/1931	Pickard
1,883,972 A	10/1932	Kunian et al.
1,998,198 A	4/1935	Leland
3,004,540 A	10/1961	Ronzi
3,108,862 A	10/1963	Toulmin
3,650,041 A	3/1972	Strzelczyk
3,717,936 A	2/1973	Tolmie et al.
D232,490 S	8/1974	Waters et al.
D234,677 S	4/1975	Hubner
D247,379 S	2/1978	Hashino
4,314,138 A	2/1982	Itoh
4,352,248 A	10/1982	Kobayashi
D268,369 S	3/1983	McBrien
D280,338 S	8/1985	Skarsten
4,541,442 A	9/1985	Hollmann et al.
4,553,339 A	11/1985	Rigo
D283,259 S	4/1986	Stansbury
4,691,451 A	9/1987	Giorgis
4,910,382 A	3/1990	Kakuya et al.
4,914,273 A	4/1990	Matsui

4,972,065 A	11/1990	Ohlsen
D321,411 S	11/1991	Moll
5,063,688 A	11/1991	Moll et al.
5,231,770 A	8/1993	Fertig
D339,880 S	9/1993	Greubel
5,560,131 A	10/1996	Fertig et al.

(Continued)

FOREIGN PATENT DOCUMENTS

DE 1 042 194 10/1958

(Continued)

OTHER PUBLICATIONS

Modern Beauty Shop, Mar. 1958, p. 111, "Wellapr Steam Activator" hair Steamed.

(Continued)

Primary Examiner—Janice E Seeger
Assistant Examiner—Zenia I Bennett
(74) *Attorney, Agent, or Firm*—DLA Piper LLP US

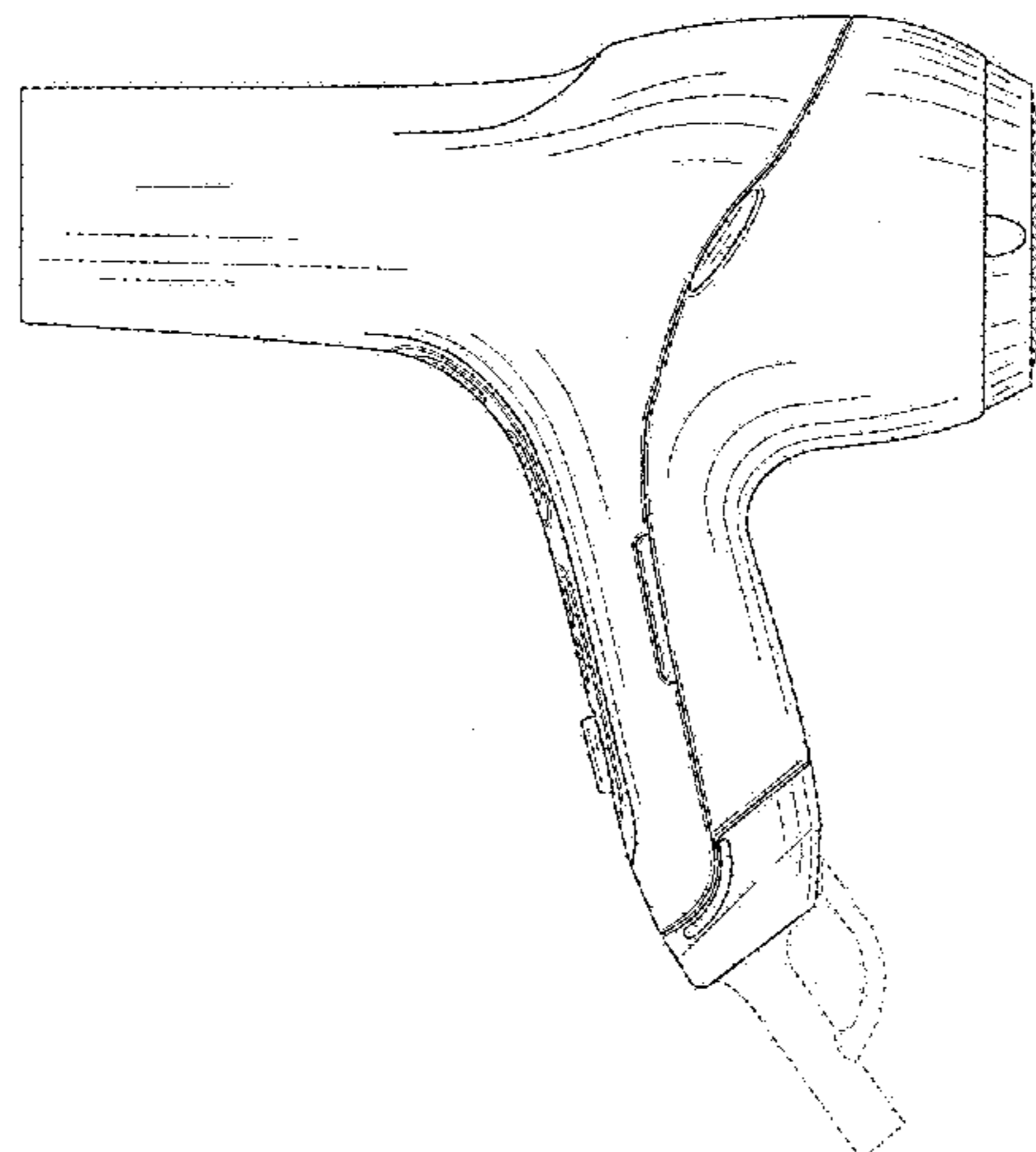
(57) **CLAIM**

The ornamental design for a hair dryer, as shown and described.

DESCRIPTION

FIG. 1 is rear perspectives view of a hair dryer showing my new design;
FIG. 2 is a rear view thereof;
FIG. 3 is a front view thereof;
FIG. 4 is a left side view thereof;
FIG. 5 is a right side view thereof;
FIG. 6 is a top view thereof;
FIG. 7 is a bottom view thereof; and,
FIG. 8 is a side perspective view from the front.
The broken lines in the drawing are for illustrative purposes only and form no part of the claimed design.

1 Claim, 6 Drawing Sheets



US D601,750 S

Page 2

U.S. PATENT DOCUMENTS

D413,409 S 8/1999 Williams
D425,243 S 5/2000 Mattis
D425,662 S * 5/2000 Cheung D28/13
D425,665 S * 5/2000 Kling et al. D28/13
D430,349 S 8/2000 Mattis
D432,716 S * 10/2000 Goetschi D28/13
D455,227 S * 4/2002 Micinilio D28/13
6,389,710 B1 5/2002 Chou
6,442,340 B1 8/2002 Shimizu
6,457,254 B2 10/2002 Sahm
D468,483 S 1/2003 Minami
D468,862 S 1/2003 Barski
D473,013 S 4/2003 Patzak
D473,341 S * 4/2003 Bokelman-Dumas D28/13
D474,562 S 5/2003 Shimizu
D477,111 S 7/2003 Zimmermann
6,606,800 B2 8/2003 Anthes et al.
6,651,674 B2 11/2003 Ozaki et al.
D494,710 S * 8/2004 Parodi D28/13
D501,061 S 1/2005 Patzak
D508,585 S 8/2005 Moore
D527,490 S 8/2006 Patzak

D528,698 S * 9/2006 Rizzuto, Jr. D28/13
D544,645 S * 6/2007 Ceva D28/13
D559,443 S * 1/2008 Smith et al. D28/13

FOREIGN PATENT DOCUMENTS

DE 40101549 2/2001
DE 40302917 4/2003
WO DM/033 406 2/1995

OTHER PUBLICATIONS

Hong Kong Enterprise, Jun. 1996, p. 161, hair dryer MCIL-9508, item A.
Notice of Allowance mailed Dec. 24, 2002 in related U.S. Appl. No. 29/166,263.
Office Action mailed Sep. 10, 2003 in related U.S. Appl. No. 29/182,983.
Notice of Allowance mailed Aug. 5, 2002 in related U.S. Appl. No. 29/160,885.
Office Action issued in U.S. Appl. No. 29/288,026 mailed Oct. 21, 2008.
Office Action issued in U.S. Appl. No. 29/2886,026 mailed Oct. 21, 2008.

* cited by examiner

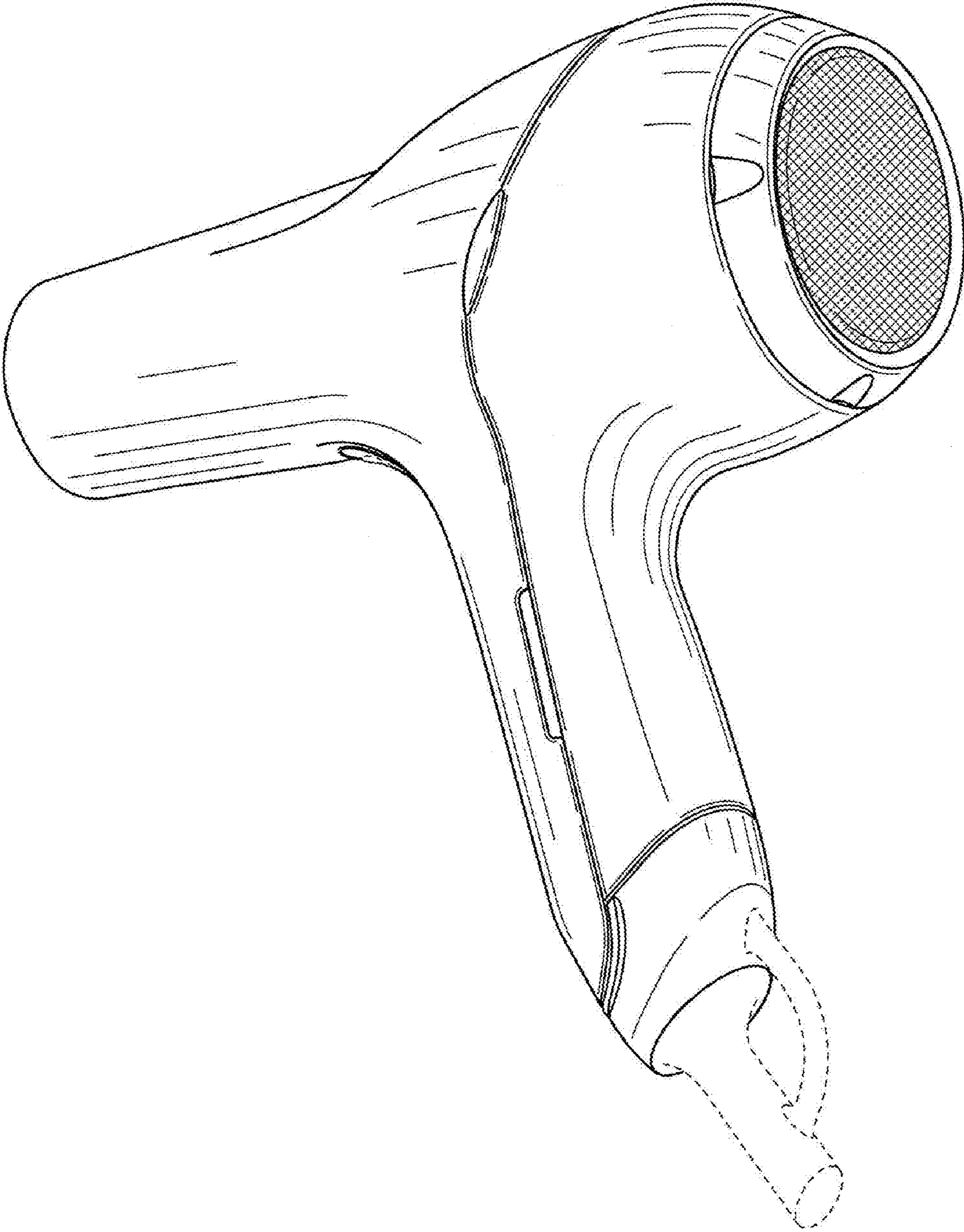


FIG. 1

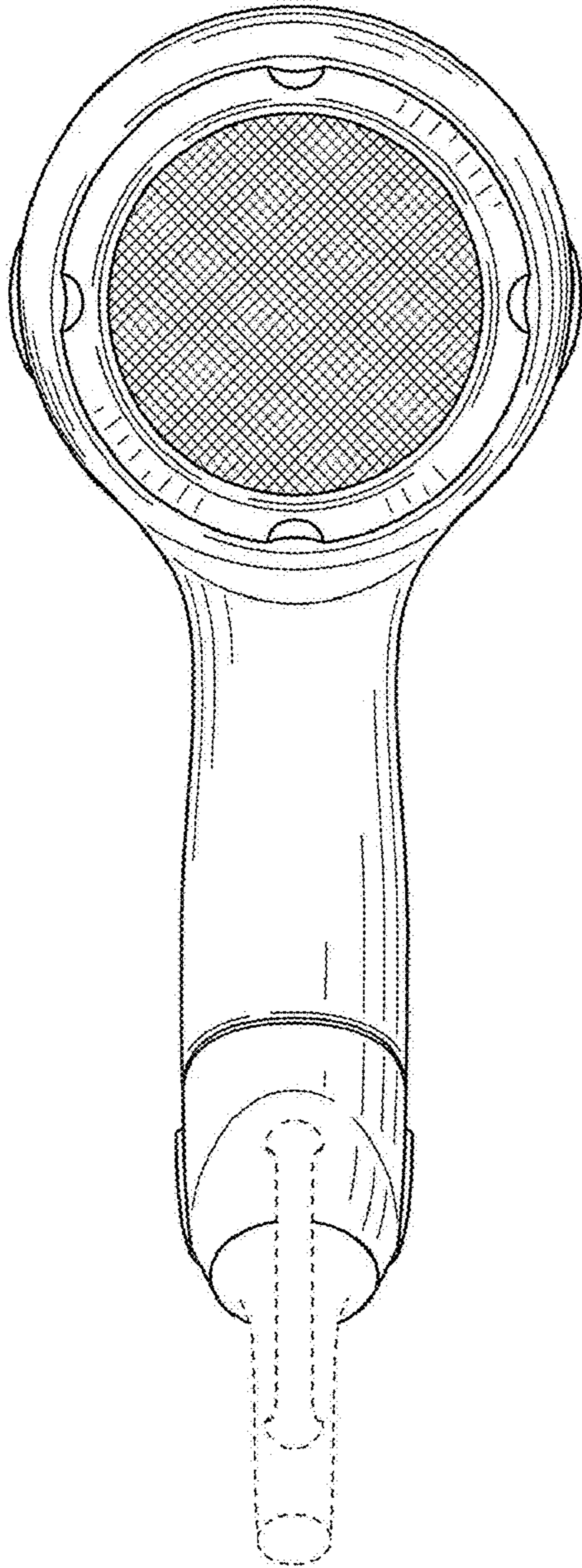


FIG. 2

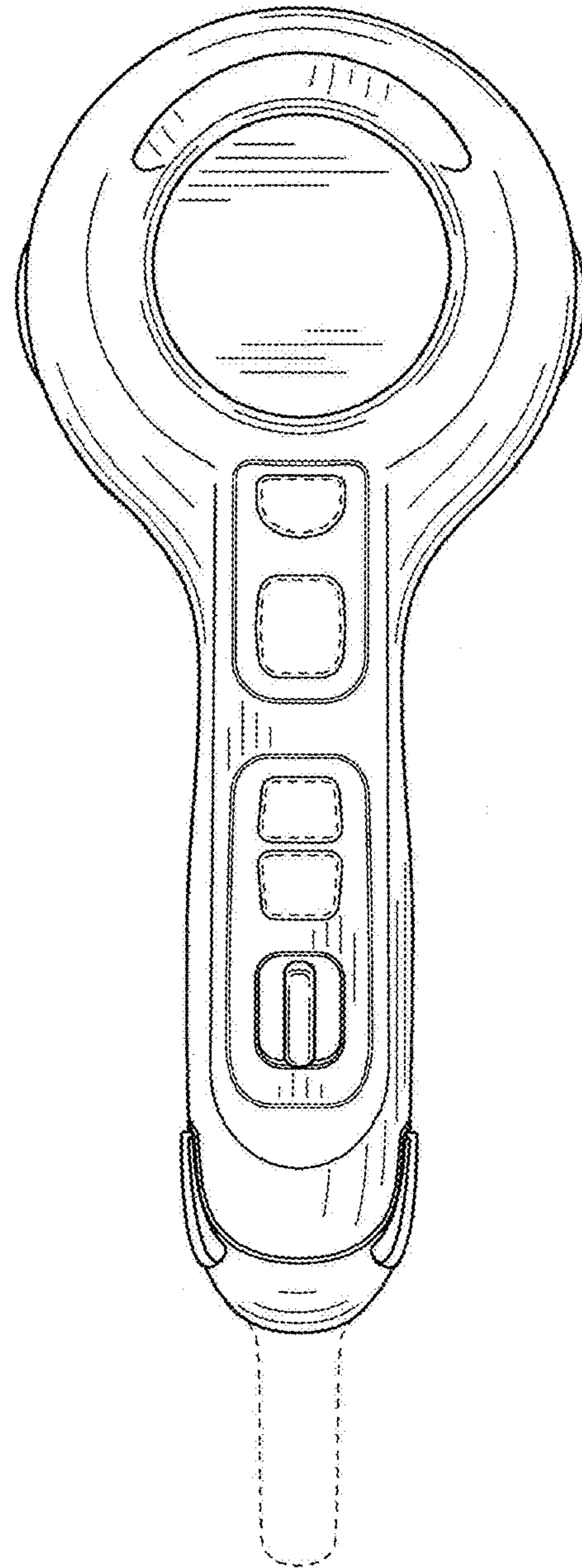


FIG. 3

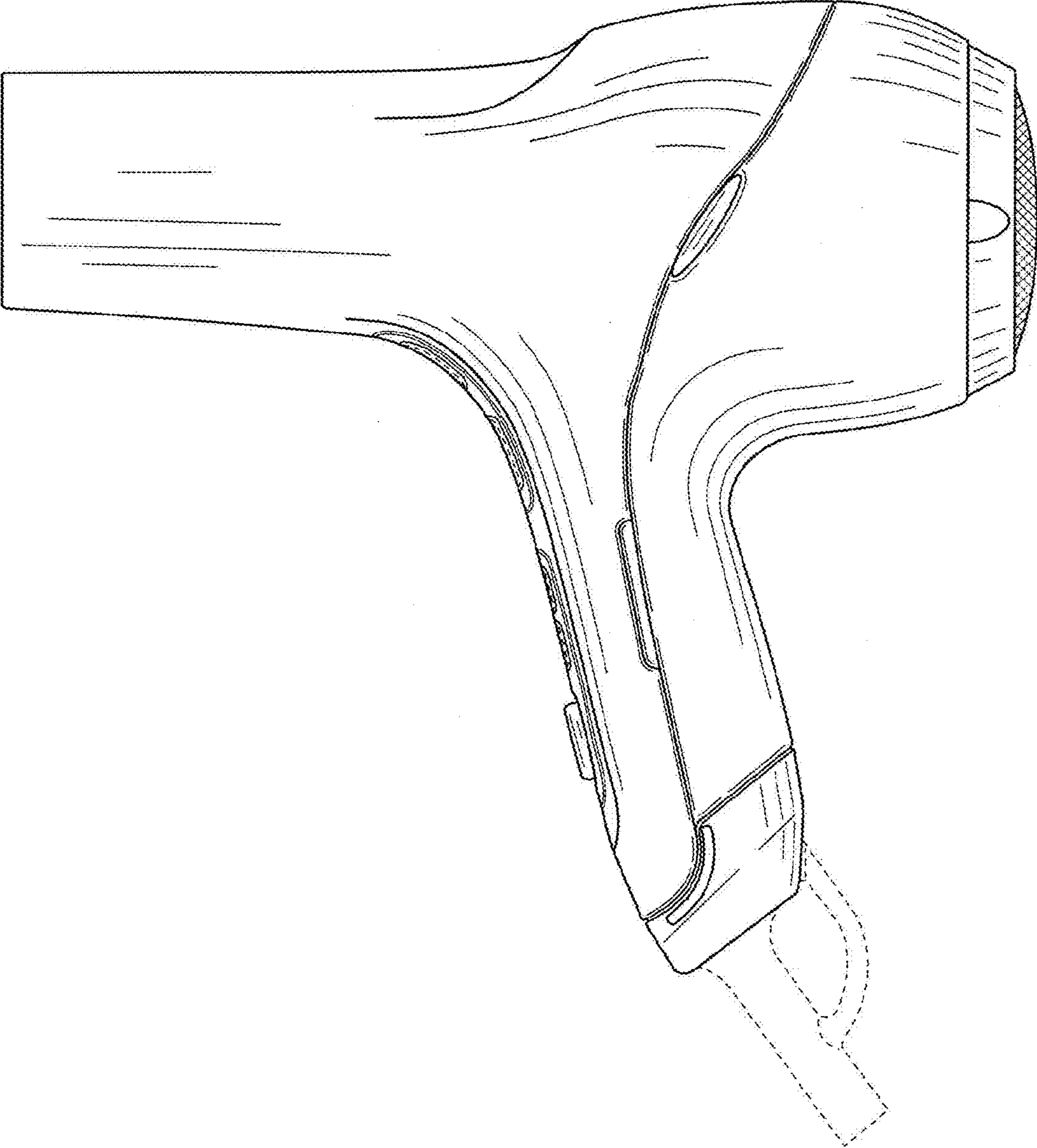


FIG. 4

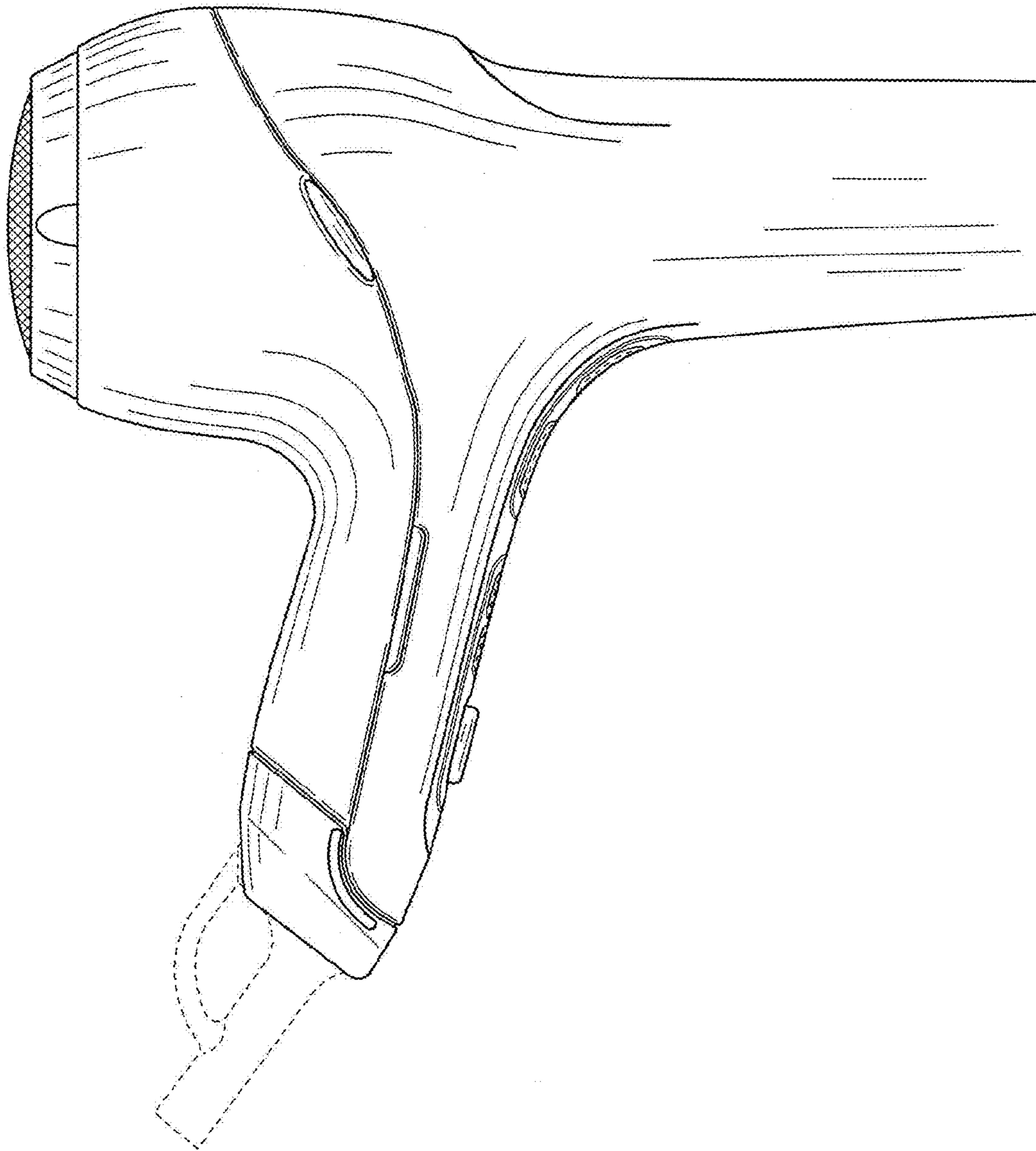


FIG. 5

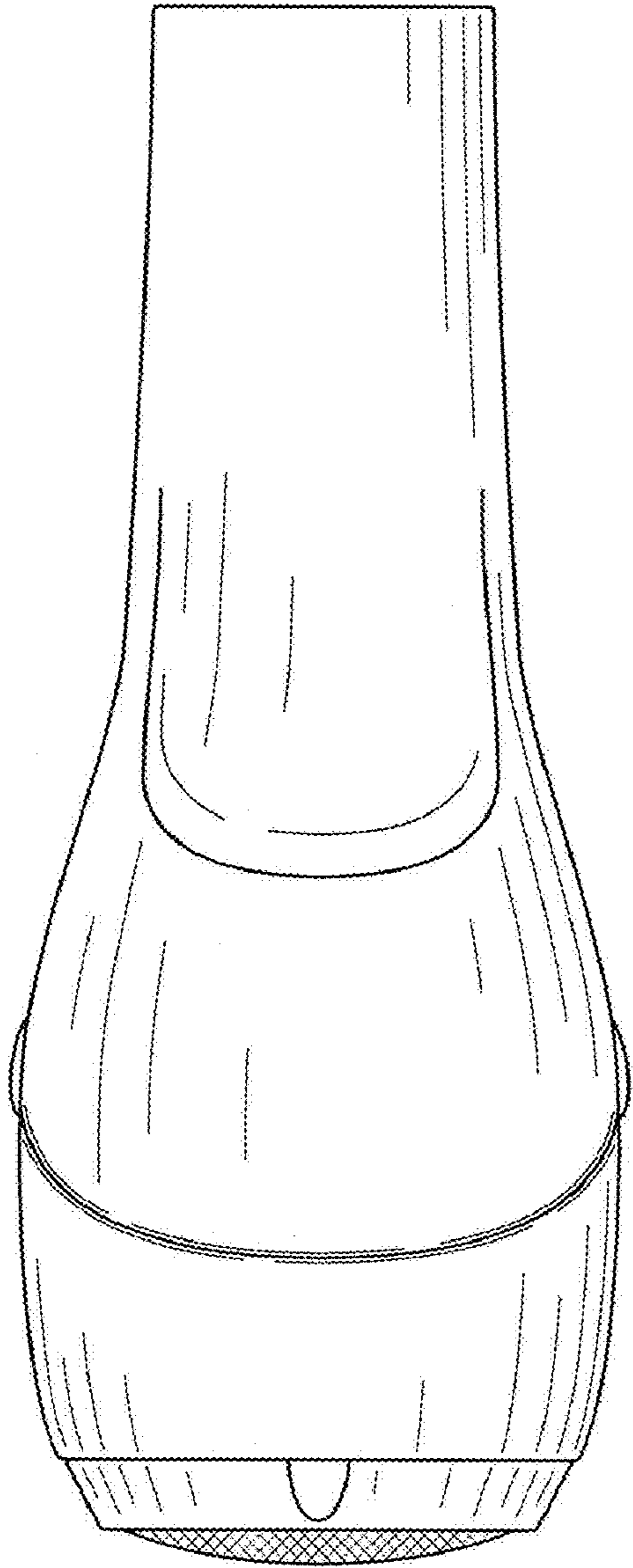


FIG. 6

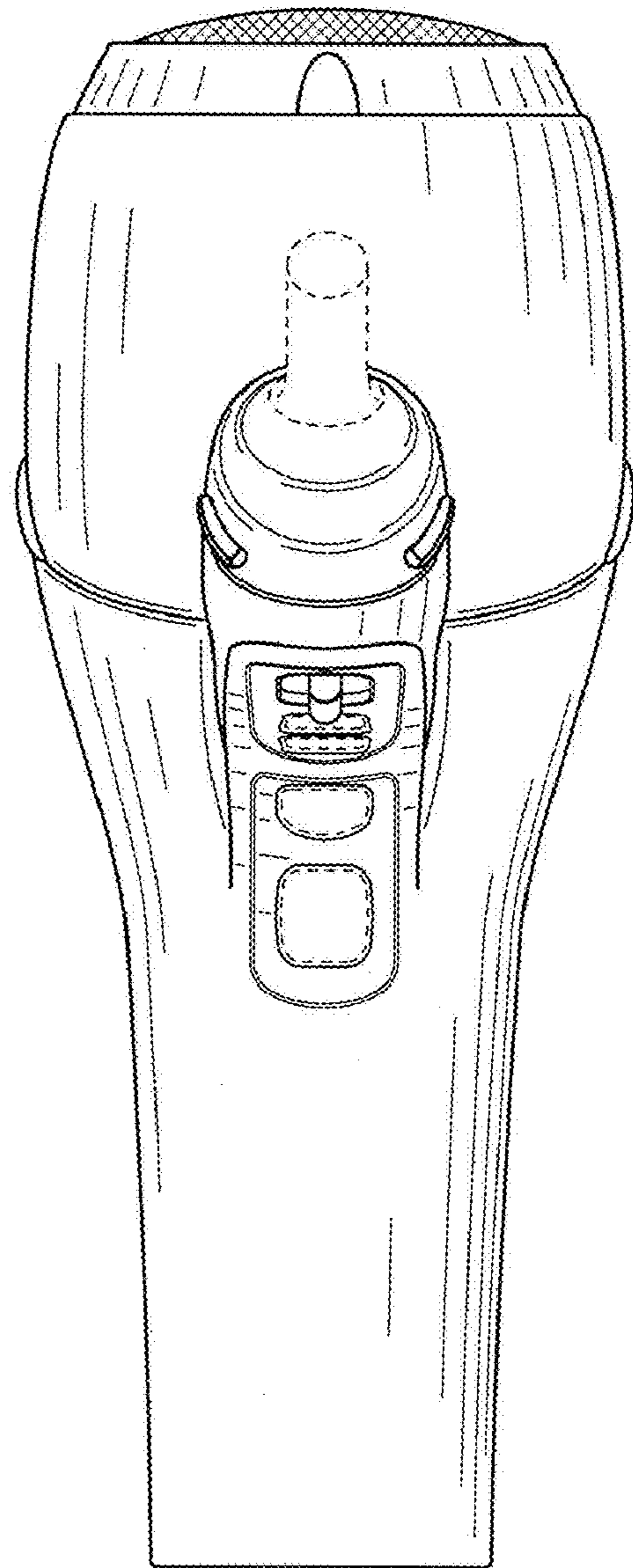


FIG. 7

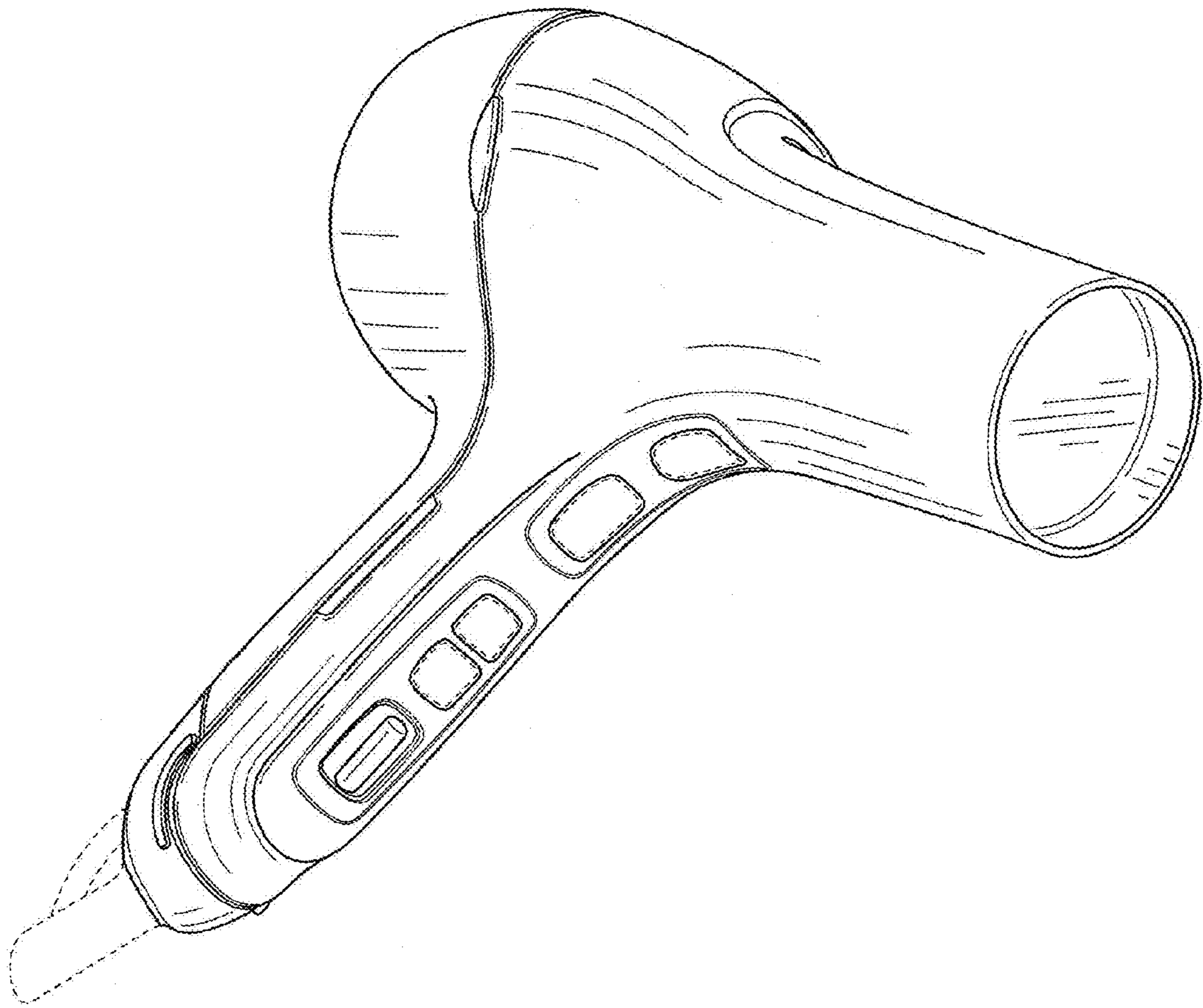


FIG. 8