

US00D601744S

(12) **United States Design Patent**
Sakuma

(10) **Patent No.:** **US D601,744 S**

(45) **Date of Patent:** **** Oct. 6, 2009**

(54) **CEILING LIGHT**

(75) Inventor: **Yuuko Sakuma**, Tokyo (JP)

(73) Assignee: **Sugatsune Kogyo Co., Ltd.**, Tokyo (JP)

(**) Term: **14 Years**

(21) Appl. No.: **29/321,114**

(22) Filed: **Jul. 11, 2008**

(30) **Foreign Application Priority Data**

Jan. 11, 2008 (JP) 2008-000485

(51) **LOC (9) Cl.** **26-03**

(52) **U.S. Cl.** **D26/89**

(58) **Field of Classification Search** D26/72,
D26/84, 86, 88, 89, 91, 123, 128, 132-137,
D26/152; 362/147, 361, 363, 404, 453
See application file for complete search history.

(56) **References Cited**

U.S. PATENT DOCUMENTS

- D60,004 S * 12/1921 Adam D26/135
- 2,255,431 A * 9/1941 Marden et al. D26/89
- D213,464 S * 3/1969 Meyer D26/89
- D365,159 S * 12/1995 Tinen D25/138
- D386,805 S * 11/1997 Bonnette et al. D26/74
- D469,211 S * 1/2003 Homann D26/118

- D469,916 S * 2/2003 Caferro et al. D26/123
- 6,705,747 B2 * 3/2004 Caferro et al. 362/291
- D511,020 S * 10/2005 Egawa et al. D26/89
- D544,629 S * 6/2007 Benensohn D26/79
- D549,385 S * 8/2007 Lissoni et al. D26/89

* cited by examiner

Primary Examiner—Clare E Heflin

(74) *Attorney, Agent, or Firm*—Osah • Liang LLP

(57) **CLAIM**

The ornamental design for a ceiling light, as shown and described.

DESCRIPTION

FIG. 1 is a top, front perspective view of a ceiling light showing the present invention;

FIG. 2 is a front view thereof;

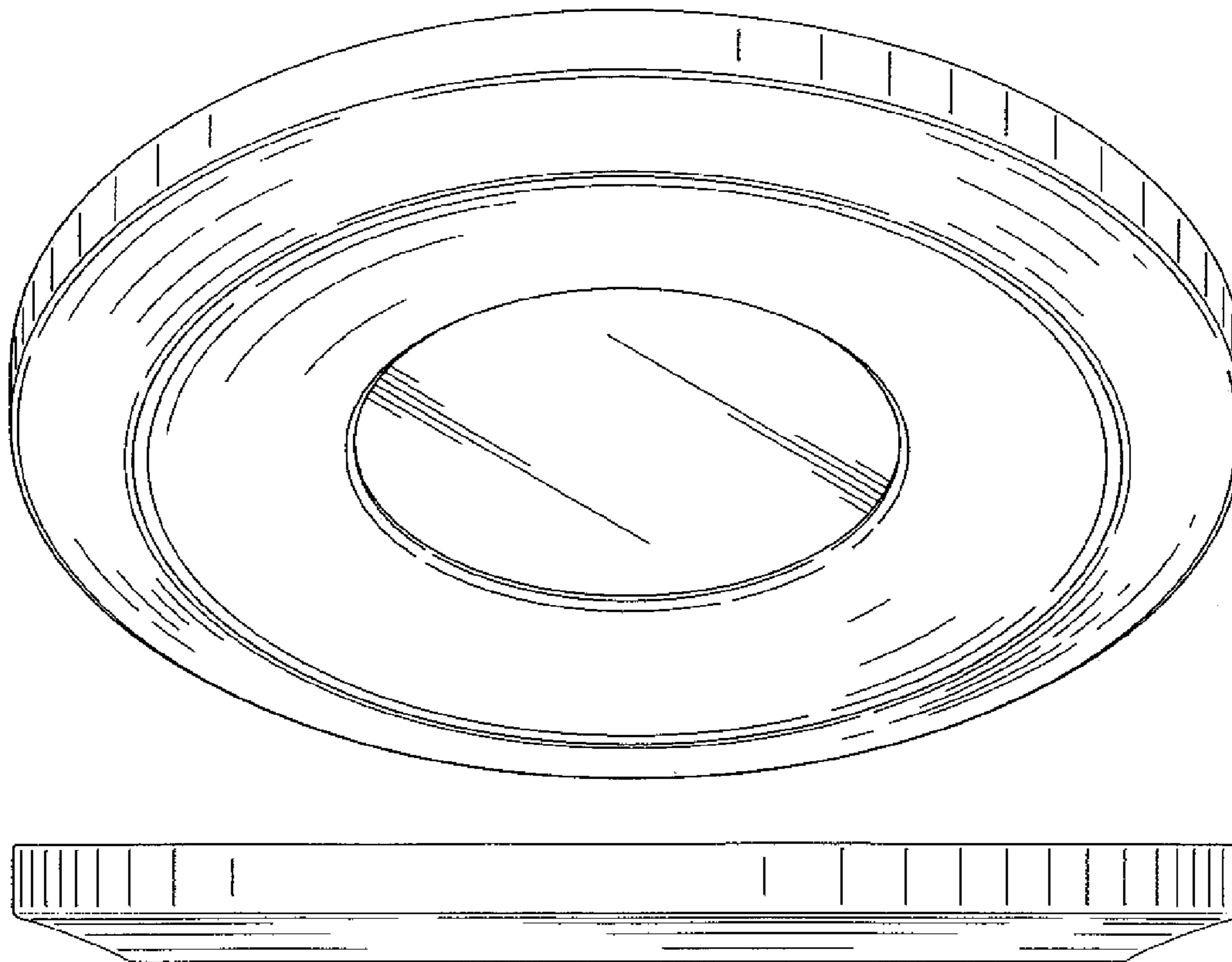
FIG. 3 is a rear view thereof;

FIG. 4 is a top plan view thereof, the bottom view being a mirror image thereof; and,

FIG. 5 is a left side view thereof, the right side view being a mirror image thereof.

The elements shown in broken lines are for illustrative purposes only and form no part of the claimed design.

1 Claim, 4 Drawing Sheets



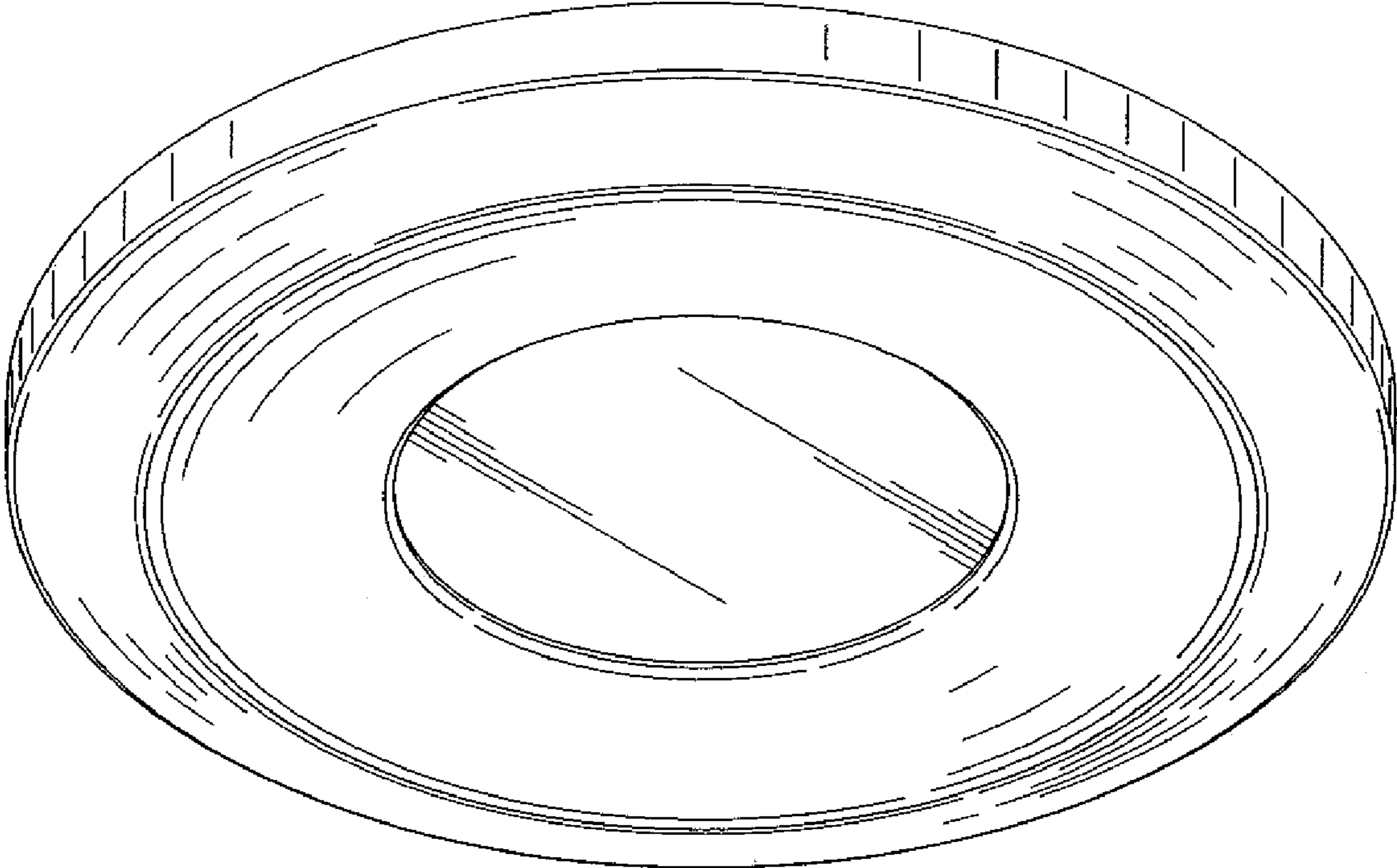


FIG. 1

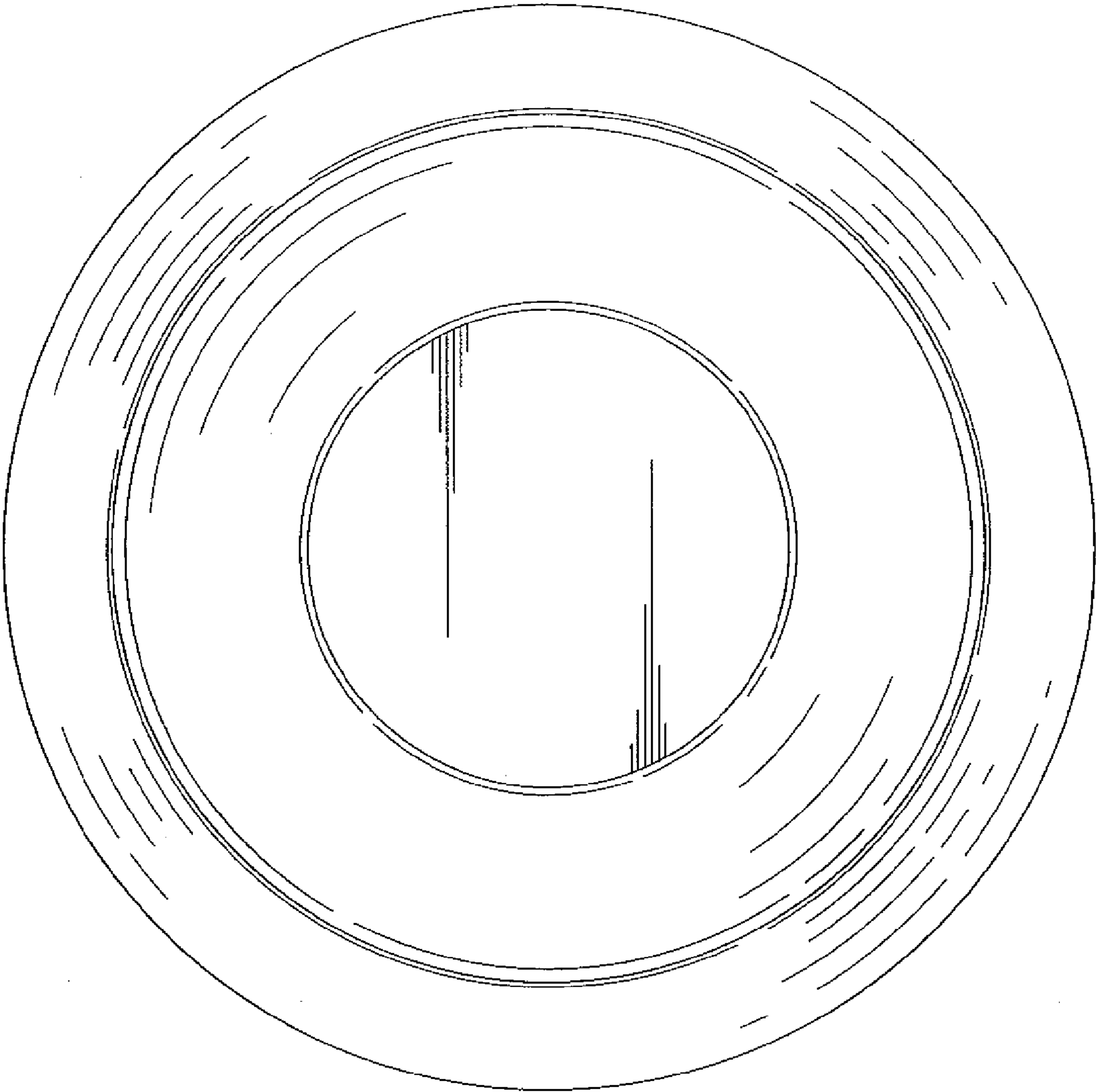


FIG. 2

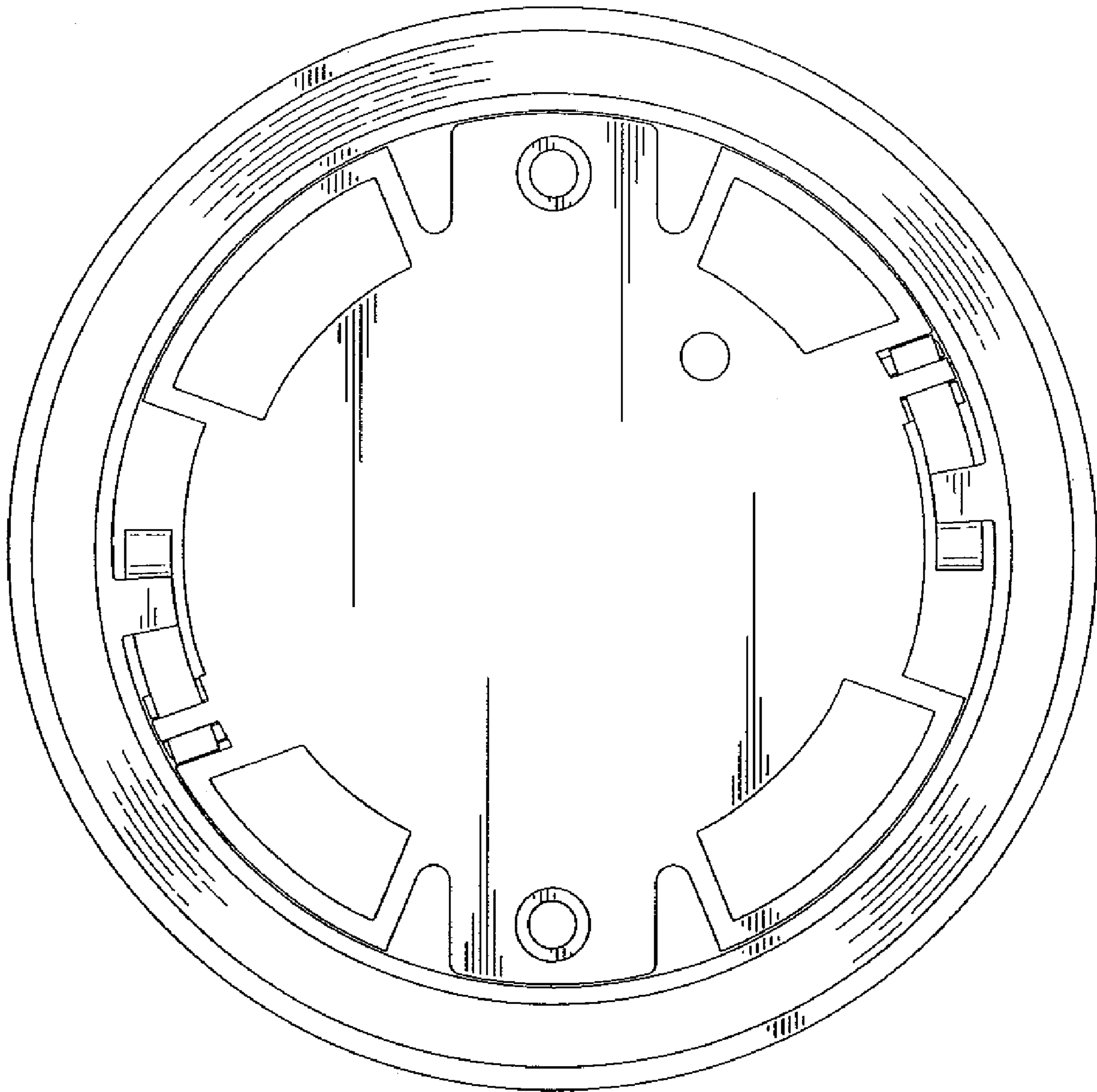


FIG. 3

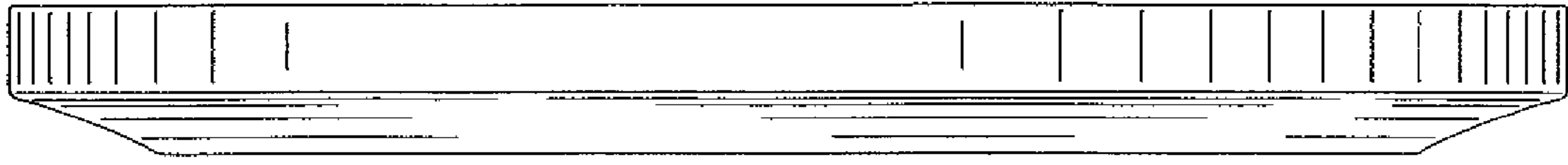


FIG. 4

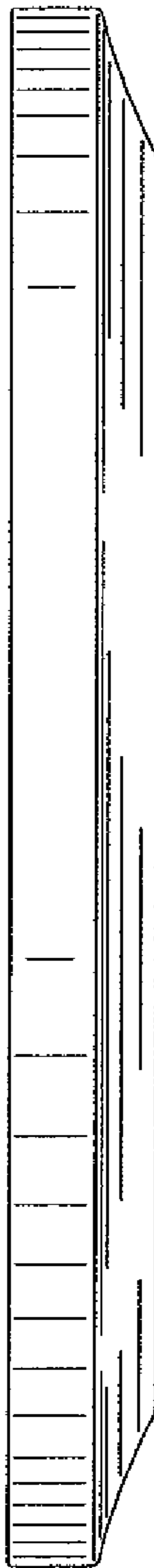


FIG. 5