

US00D601742S

(12) **United States Design Patent**  
**Sabernig**

(10) **Patent No.:** **US D601,742 S**  
(45) **Date of Patent:** **\*\* Oct. 6, 2009**

(54) **LIGHT FIXTURE**

(75) Inventor: **Robert Sabernig**, Munster (AT)

(73) Assignee: **EGLO Leuchten GmbH**, Innsbruck (AT)

(\*\*) Term: **14 Years**

(21) Appl. No.: **29/325,938**

(22) Filed: **Oct. 8, 2008**

(51) **LOC (9) Cl.** ..... **26-03**

(52) **U.S. Cl.** ..... **D26/84; D26/90**

(58) **Field of Classification Search** ..... D26/72,  
D26/73, 80, 83, 84, 85, 88-91; 362/147,  
362/806, 404-408

See application file for complete search history.

(56) **References Cited**

**U.S. PATENT DOCUMENTS**

D121,590 S *	7/1940	Heath	.....	D26/76
D127,173 S *	5/1941	Levy	.....	D26/76
D139,670 S *	12/1944	Lippincott	.....	D26/76
D140,107 S *	1/1945	Lippincott	.....	D26/76
D536,820 S *	2/2007	Crosby	.....	D26/84
D537,187 S *	2/2007	Lucatello	.....	D26/84
D584,848 S *	1/2009	Menke	.....	D26/88

**OTHER PUBLICATIONS**

“Forma Piccolo Oval” found on p. 11 of the Alico Lighting Guide supplement vol. 1C. © 2008.\*

“Aquarius” pendant by Access Lighting / Product# 50108 at modernlightinguniverse.com. Jun. 16, 2009.\*

“Vision” pendant #E22018-09 on p. 153 of the ET2 2007 Catalog.\* Kenroy Home; Four-Light Angoli Pendant; Product No. 90884; printed from Modern Lighting Universe Catalog on Dec. 22, 2008.

\* cited by examiner

*Primary Examiner*—Clare E Heflin

(74) *Attorney, Agent, or Firm*—Baker & McKenzie LLP

(57) **CLAIM**

The ornamental design for a light fixture, as shown and described.

**DESCRIPTION**

FIG. 1 is a bottom perspective view of a light fixture in accordance with my design;

FIG. 2 is a top plan view of the light fixture in accordance with my design;

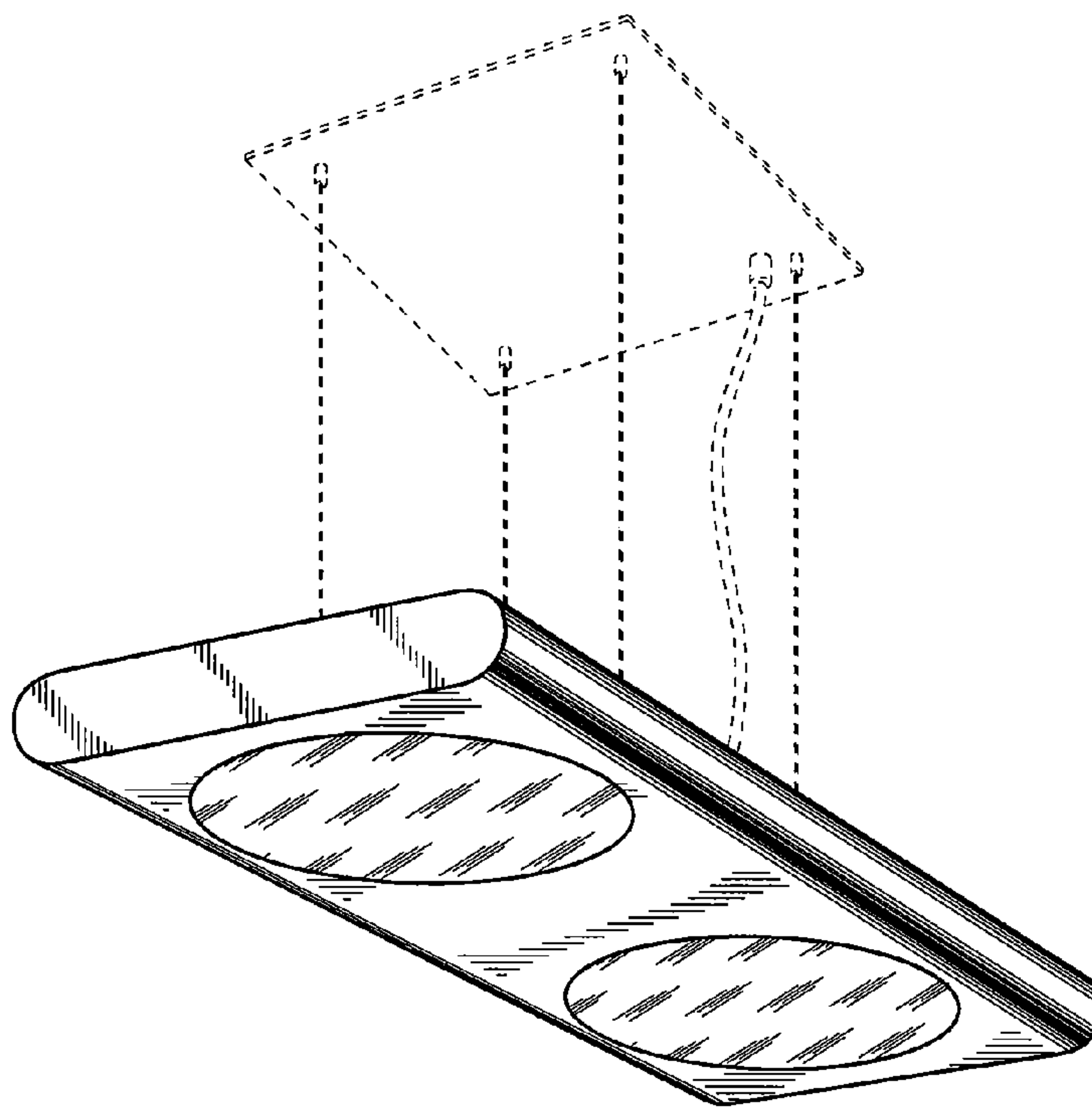
FIG. 3 is a bottom plan view of the light fixture in accordance with my design;

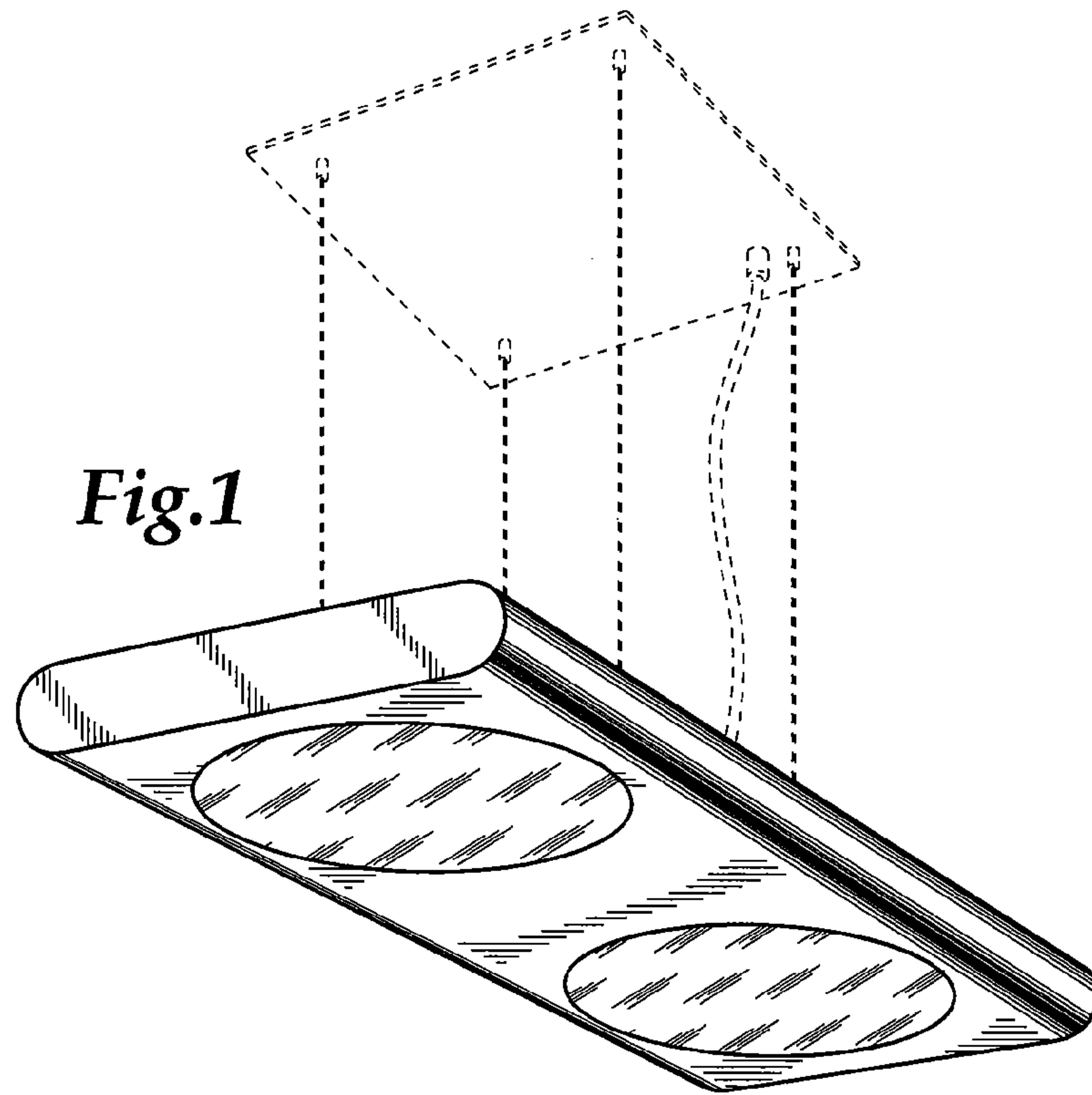
FIG. 4 is a side elevation view of the light fixture in accordance with my design, the opposite view being a mirror image thereof; and,

FIG. 5 is a front elevation view of the light fixture in accordance with my design, the opposite view being a mirror image thereof.

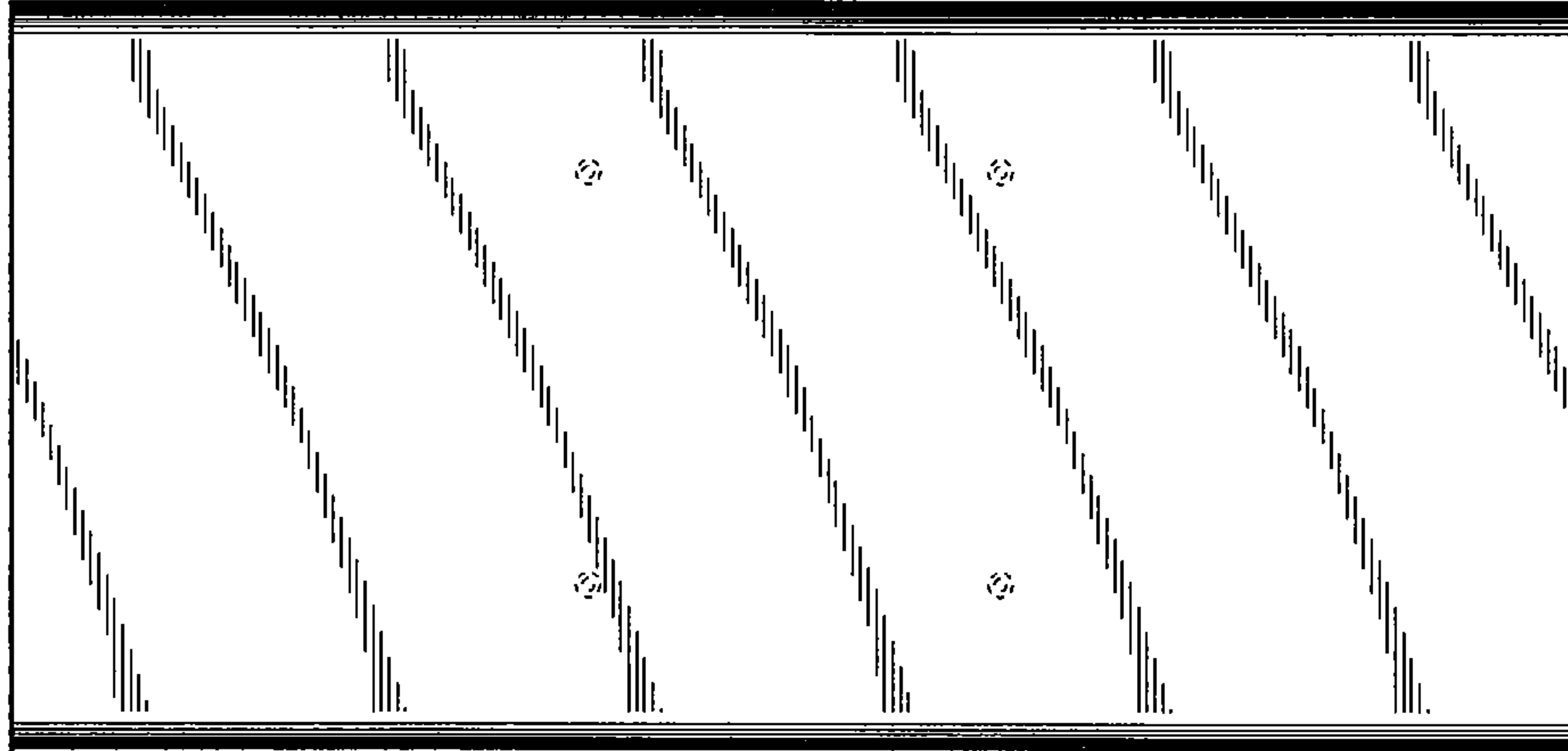
The broken lines showing environmental structure are for illustrative purposes only and form no part of the claimed design.

**1 Claim, 2 Drawing Sheets**

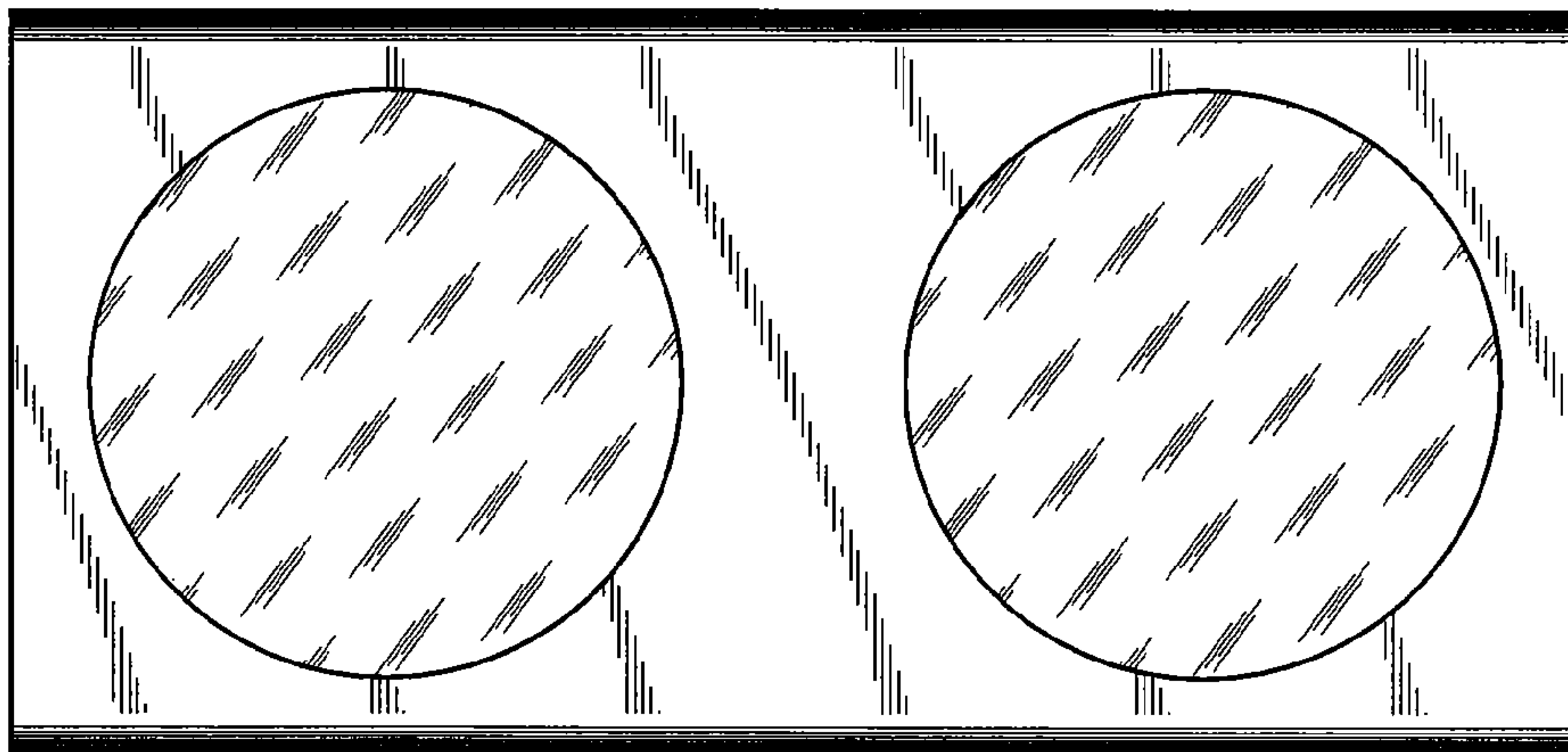


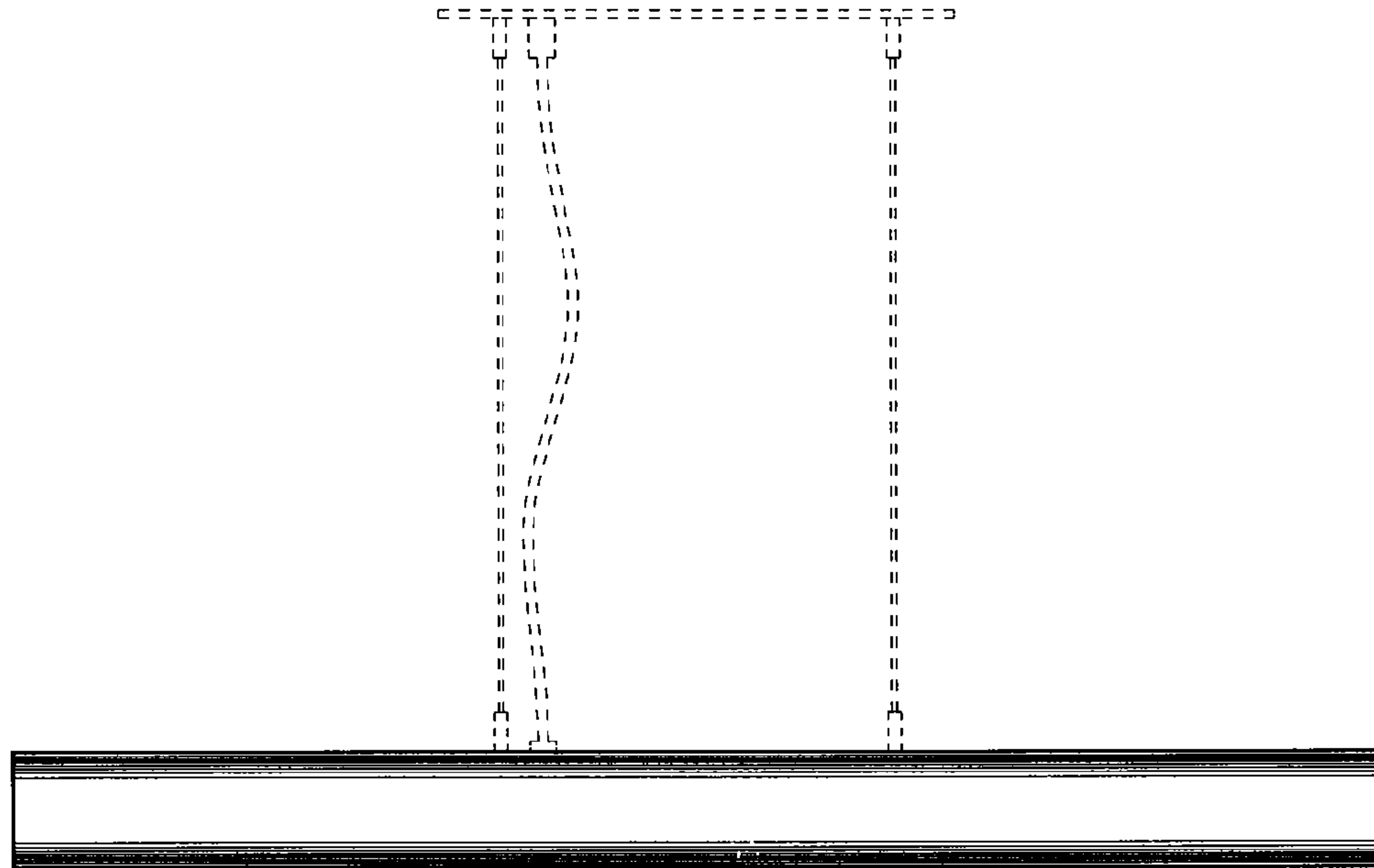


*Fig. 2*

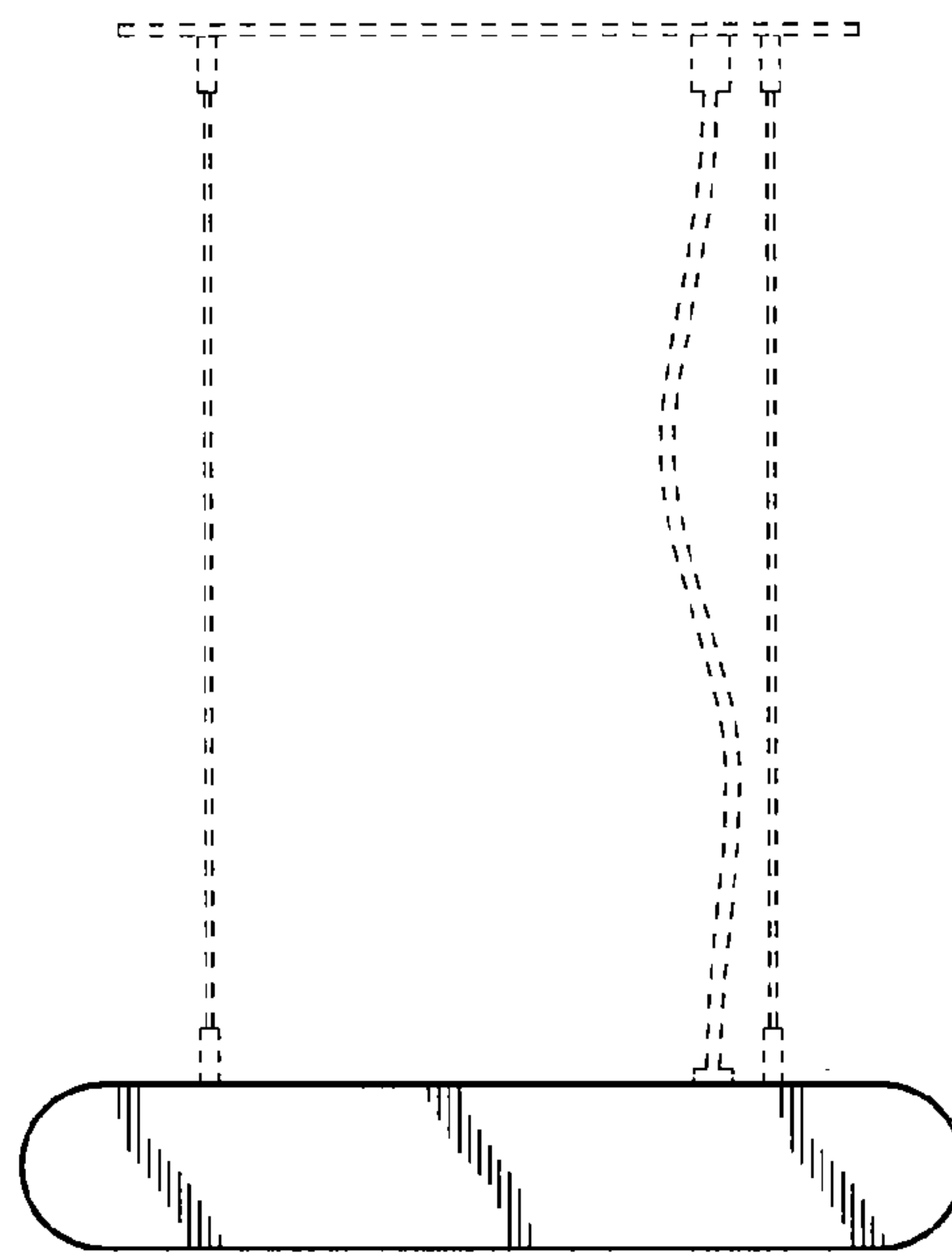


*Fig. 3*





*Fig.4*



*Fig.5*