



US00D601741S

(12) **United States Design Patent**
Trott et al.

(10) **Patent No.:** **US D601,741 S**

(45) **Date of Patent:** **** *Oct. 6, 2009**

(54) **LIGHTING DEVICE**

(75) Inventors: **Gary David Trott**, Morrisville, NC
(US); **Paul Kenneth Pickard**,
Morrisville, NC (US)

(73) Assignee: **Cree LED Lighting Solutions, Inc.**,
Durham, NC (US)

(*) Notice: This patent is subject to a terminal dis-
claimer.

(**) Term: **14 Years**

(21) Appl. No.: **29/324,486**

(22) Filed: **Sep. 12, 2008**

Related U.S. Application Data

(63) Continuation of application No. 29/279,586, filed on
May 3, 2007, now abandoned.

(51) **LOC (9) Cl.** **26-05**

(52) **U.S. Cl.** **D26/74; D26/118**

(58) **Field of Classification Search** D26/2,
D26/24, 35, 61, 7, 72, 74-79, 81-92, 118,
D26/122, 138; 362/147-148, 217-225, 132,
362/150, 260-263, 267, 283, 337, 347, 364,
362/404; 43/113; D23/372, 328, 385; D14/209;
52/98; D25/138; D10/111, 118

See application file for complete search history.

(56) **References Cited**

U.S. PATENT DOCUMENTS

382,210 A	5/1888	Black	
D50,559 S	4/1917	Martin	
1,674,165 A	6/1928	Dorey	
D78,750 S *	6/1929	Gunnison D26/86
D79,309 S	8/1929	Sanford	
2,010,322 A	8/1935	Riddell	
D106,281 S	10/1937	Browne	
D107,878 S	1/1938	Levy	
D115,970 S	8/1939	Stewart	
2,410,413 A	11/1946	Hurley	

D155,680 S *	10/1949	Baker D26/86
D160,640 S	10/1950	Magroch	
D165,259 S	11/1951	Baker	
2,626,120 A	1/1953	Baker	
2,630,235 A	3/1953	Feig et al.	
2,835,791 A	5/1958	Horwitz	
2,878,425 A	3/1959	Kudoh	
D192,607 S	4/1962	Cooke	
3,040,172 A	6/1962	Kingsley	
3,064,851 A	11/1962	Guigli	
D196,618 S	10/1963	Hammes	
D197,985 S	4/1964	Dawson	
3,330,951 A	7/1967	Neal	
D209,536 S	12/1967	McCain	
D212,899 S	12/1968	Vesely et al.	
3,697,742 A	10/1972	Bobrick	

(Continued)

OTHER PUBLICATIONS

U.S. Appl. No. 29/279,583, filed May 3, 2007, Trott et al.

(Continued)

Primary Examiner—Philip S Hyder

Assistant Examiner—Susan E Krakower

(74) *Attorney, Agent, or Firm*—Burr & Brown

(57) **CLAIM**

The ornamental design for a lighting device, as shown and
described.

DESCRIPTION

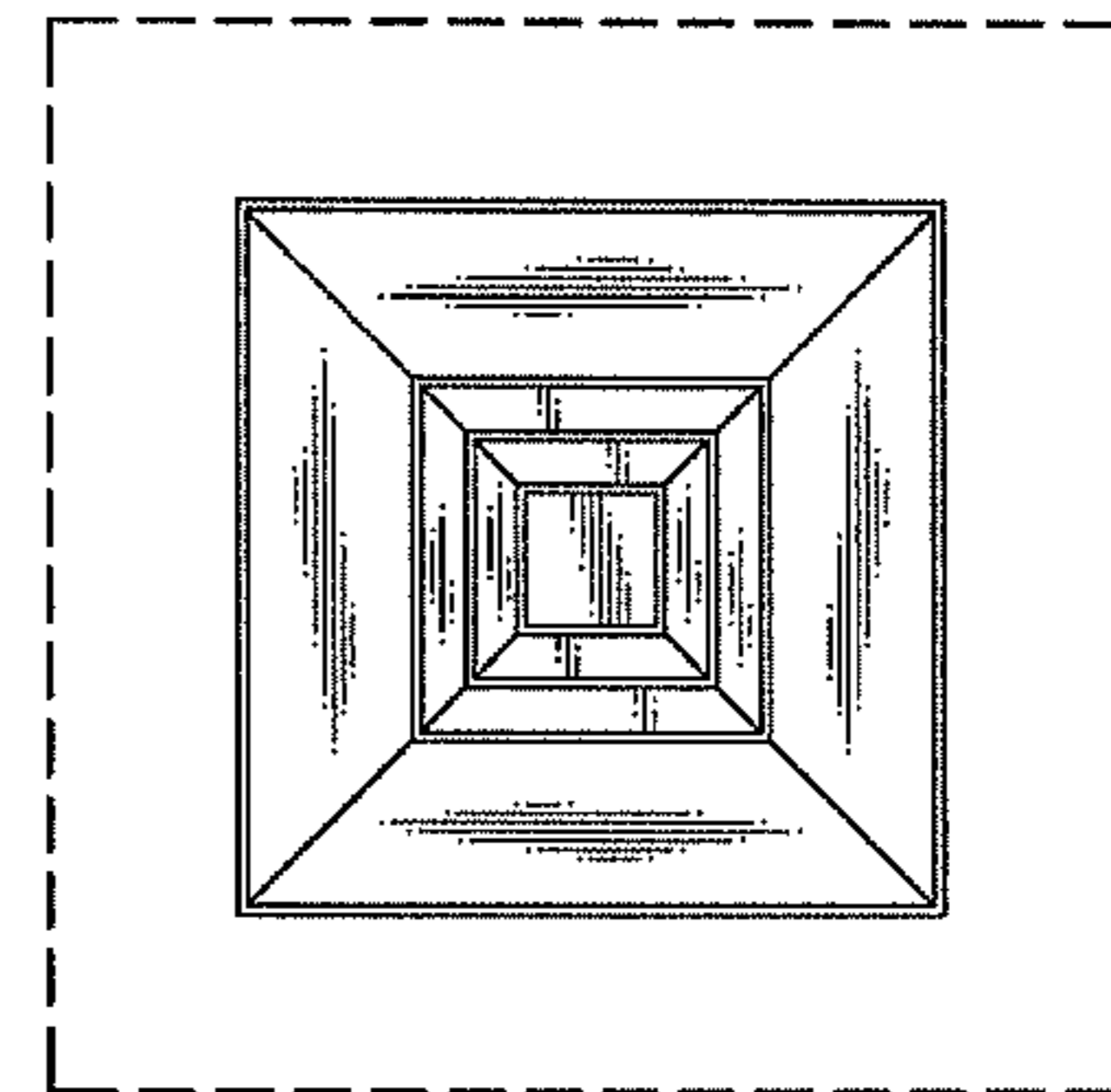
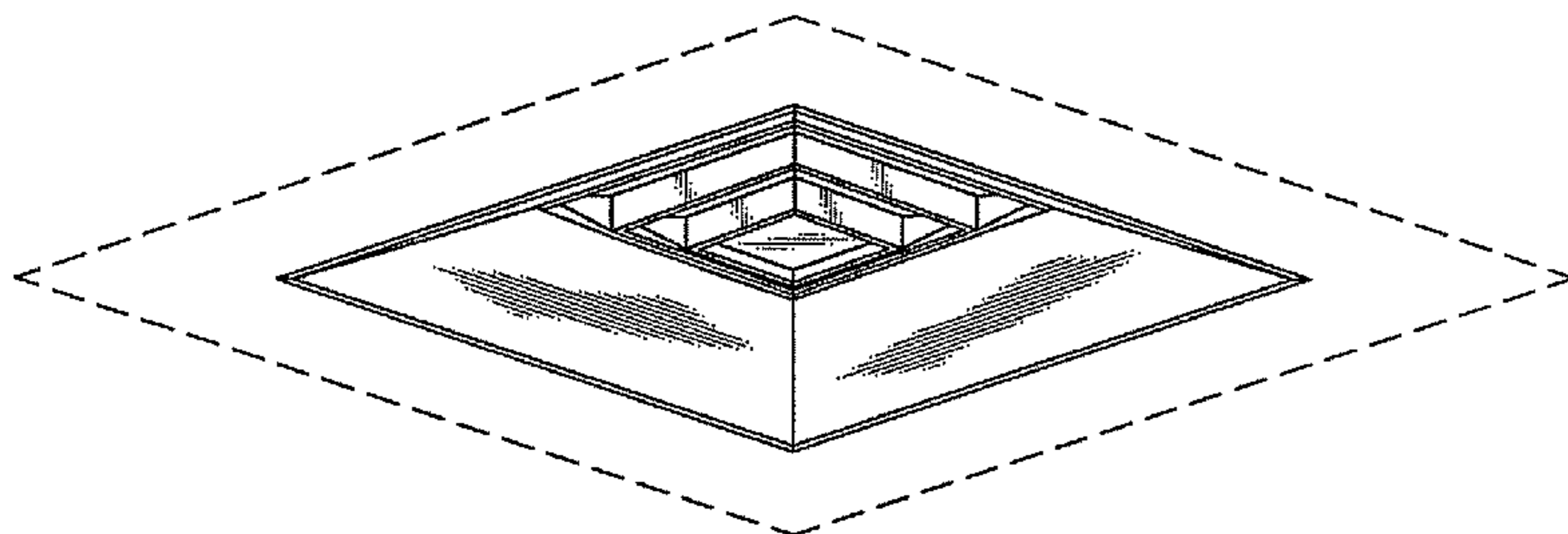
FIG. 1 is a corner perspective view of the lighting device in
accordance with our new design;

FIG. 2 is a bottom view thereof; and,

FIG. 3 is a side perspective view thereof.

The portions of the drawings shown in broken lines represent
environmental structure and form no part of the claimed
design.

1 Claim, 1 Drawing Sheet



U.S. PATENT DOCUMENTS

3,705,302 A 12/1972 Judge et al.
 3,950,638 A 4/1976 Kent et al.
 D242,063 S 10/1976 Manley et al.
 D242,164 S 11/1976 Manley et al.
 D247,562 S 3/1978 Walker et al.
 4,173,037 A 10/1979 Henderson et al.
 4,241,393 A 12/1980 Olson
 D258,919 S 4/1981 Kristofek
 D259,518 S 6/1981 Garcia et al.
 D264,007 S 4/1982 Heritage
 4,336,575 A 6/1982 Gilman
 4,377,059 A 3/1983 Kuhr
 4,388,677 A 6/1983 Druffel
 4,453,203 A 6/1984 Pate
 4,611,687 A * 9/1986 Nixon 181/286
 4,703,406 A 10/1987 Elliott et al.
 D294,068 S * 2/1988 Platner D26/81
 4,729,080 A 3/1988 Fremont et al.
 4,761,721 A 8/1988 Willing
 4,803,603 A 2/1989 Carson
 D302,860 S 8/1989 Anema
 4,972,339 A 11/1990 Gabrius
 D323,037 S 1/1992 Edwards
 D326,163 S 5/1992 Sonneman
 D326,537 S 5/1992 Gattari
 5,142,459 A 8/1992 Swarens et al.
 5,183,330 A 2/1993 Rishel et al.
 D340,514 S 10/1993 Liao
 D344,362 S 2/1994 Engle
 5,287,259 A 2/1994 Lautzenheiser
 D347,292 S 5/1994 Roos et al.
 D348,534 S 7/1994 Herst et al.
 D352,797 S 11/1994 Mehaffey
 D353,910 S 12/1994 Hayman et al.
 5,373,431 A 12/1994 Hayman et al.
 5,440,471 A 8/1995 Zadeh
 5,465,199 A 11/1995 Bray et al.
 D365,159 S 12/1995 Tinen
 D370,550 S 6/1996 Lecluze
 D376,667 S 12/1996 Lucluze
 D381,454 S 7/1997 Lecluze
 D383,565 S 9/1997 Demshki et al.
 D386,277 S 11/1997 Lecluze
 D387,466 S 12/1997 Lecluze
 D388,526 S 12/1997 Bray
 D397,490 S 8/1998 Lecluze
 5,800,050 A 9/1998 Leadford
 5,823,664 A 10/1998 Demshki et al.
 5,857,766 A 1/1999 Sieczkowski
 D410,295 S 5/1999 Lueken et al.
 D411,031 S 6/1999 Conn et al.
 5,957,574 A 9/1999 Hentz et al.
 6,004,011 A 12/1999 Sieczkowski
 D428,516 S 7/2000 Reo et al.
 6,089,732 A 7/2000 Wright et al.
 D430,339 S 8/2000 Reo
 6,095,669 A 8/2000 Cho
 6,123,438 A 9/2000 Hentz
 6,179,446 B1 1/2001 Sarmadi
 6,179,451 B1 1/2001 Bodine et al.
 D437,446 S 2/2001 Reo et al.
 D437,654 S 2/2001 Chen
 6,217,189 B1 4/2001 Nassim
 D443,949 S 6/2001 DiMonte
 6,283,430 B1 9/2001 Schubert et al.

6,375,338 B1 4/2002 Cummings et al.
 6,474,846 B1 11/2002 Kelmelis et al.
 6,505,960 B2 1/2003 Schubert et al.
 D469,916 S 2/2003 Caferro et al.
 D471,314 S 3/2003 Guthrie
 D473,965 S 4/2003 Lecluze
 D474,298 S 5/2003 Lecluze
 D474,300 S 5/2003 Lecluze
 D476,108 S 6/2003 Lecluze
 6,588,922 B1 7/2003 DeCicco
 6,632,006 B1 10/2003 Rippel et al.
 6,655,813 B1 12/2003 Ng
 D485,006 S 1/2004 Huang
 D488,252 S 4/2004 Benghozi
 D488,583 S 4/2004 Benghozi
 D490,930 S 6/2004 Snead
 6,755,550 B1 6/2004 Lackey
 6,755,559 B2 6/2004 Wang et al.
 D499,505 S 12/2004 Benensohn
 6,921,186 B1 7/2005 Viskovich
 D509,016 S * 8/2005 Benghozi D26/74
 D514,732 S 2/2006 Benensohn
 D516,235 S 2/2006 Rashidi
 D527,119 S 8/2006 Maxik et al.
 D528,673 S 9/2006 Maxik et al.
 D538,951 S 3/2007 Maxik et al.
 D538,952 S 3/2007 Maxik et al.
 D544,128 S 6/2007 Carro
 D545,457 S 6/2007 Chen
 D548,391 S 8/2007 Lecluze
 D549,869 S 8/2007 Ward
 D550,391 S * 9/2007 Cesaro D26/89
 D556,075 S 11/2007 Teiber et al.
 D558,382 S 12/2007 Cesaro
 D567,989 S * 4/2008 Goetz-Schaefer D26/89
 D575,887 S * 8/2008 Mukai D26/24
 2003/0142499 A1 7/2003 Chiu
 2003/0185012 A1 10/2003 Sitzema et al.

OTHER PUBLICATIONS

U.S. Appl. No. 29/298,299, filed Dec. 3, 2007, Trott et al.
 DOE SSL Commercial Product Testing Program Report, DOE SSL CPTP Report Product Test Reference # CPTP 07-09 Replacement Lamp, (2007), pp. 1-23.
 DOE SSL Commercial Product Testing Program Report, DOE SSL CPTP Report Product Test Reference # CPTP 07-04 Downlight, (2007), pp. 1-13.
 DOE SSL Commercial Product Testing Program Report, DOE SSL CPTP Report Product Test Reference # CPTP 07-05 Downlight, (2007), pp. 1-13.
 DOE SSL Commercial Product Testing Program Report, DOE SSL CPTP Report Product Test Reference # CPTP 07-06 Replacement Lamp, (2007), pp. 1-22.
 DOE SSL Commercial Product Testing Program Report, DOE SSL CPTP Report Product Test Reference # CPTP 07-08 Replacement Lamp, (2007), pp. 1-22.
 EVO Lighting—Solid State LED Lighting, http://www.renais-sancelighting.com/index_PA.php?t=line&Type=1, evo is a product of RL Light, 2007, pp. 1-15.
 Focal Point Web Material, “Focal Point® launches two dimensions of popular Sky™ family”, date: 2002, p. 1.
 Focal Point Web Material, “Sky™ 2x2”, date: 2002, p. 1.
 Focal Point literature, “Sky™ 2x2”, pp. 116-117.
 Focal Point literature, “Sky™ 4x4”, pp. 118-119.

* cited by examiner

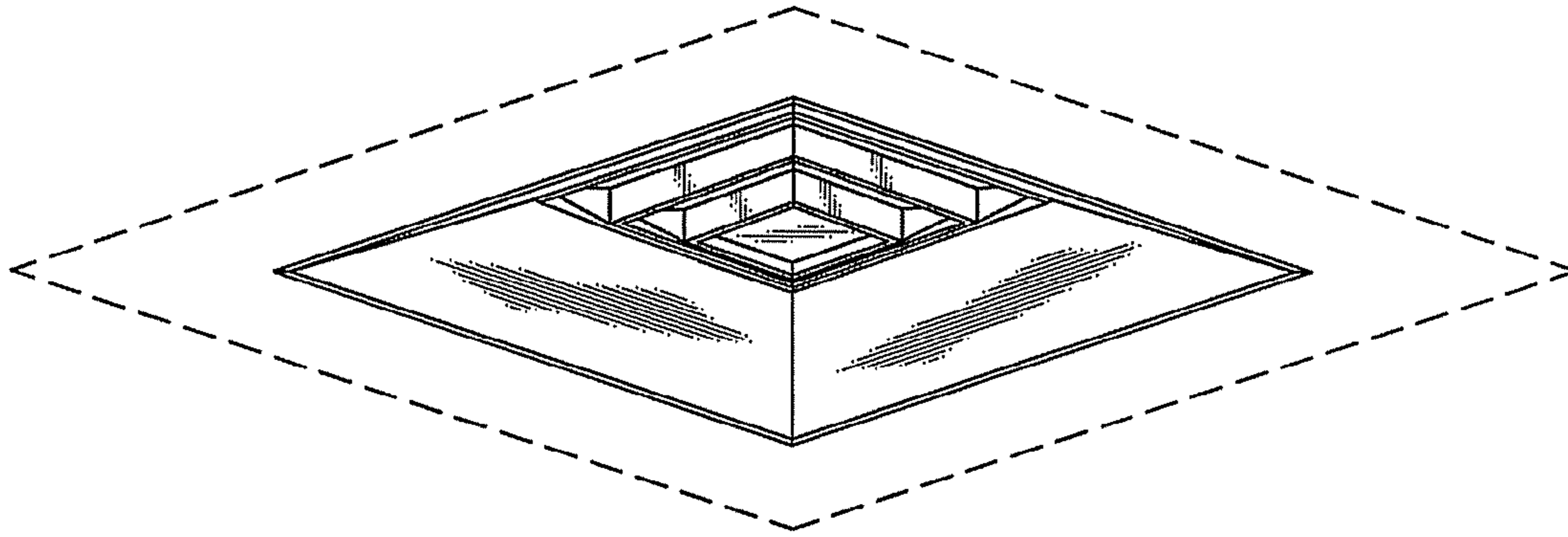


FIG. 1

FIG. 2

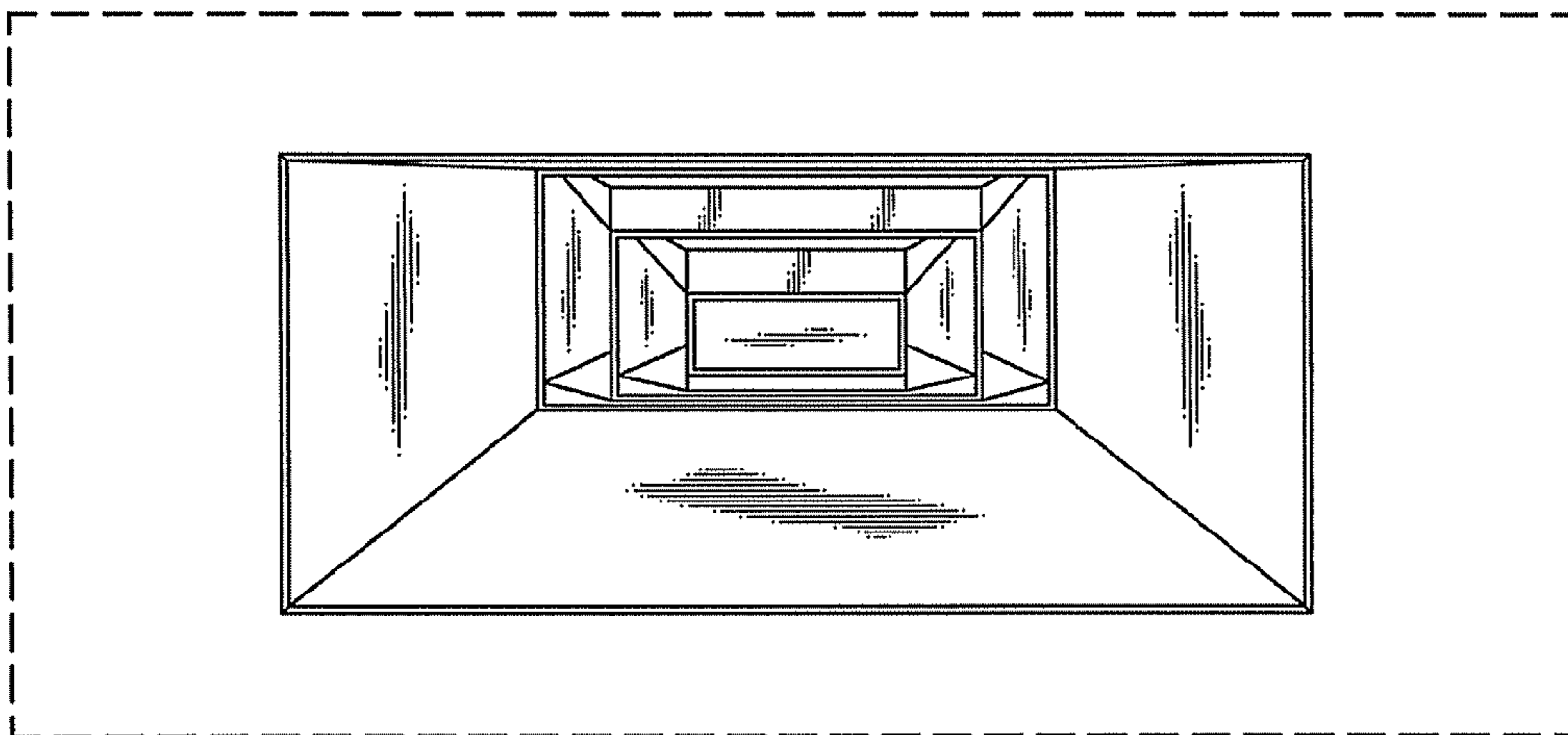
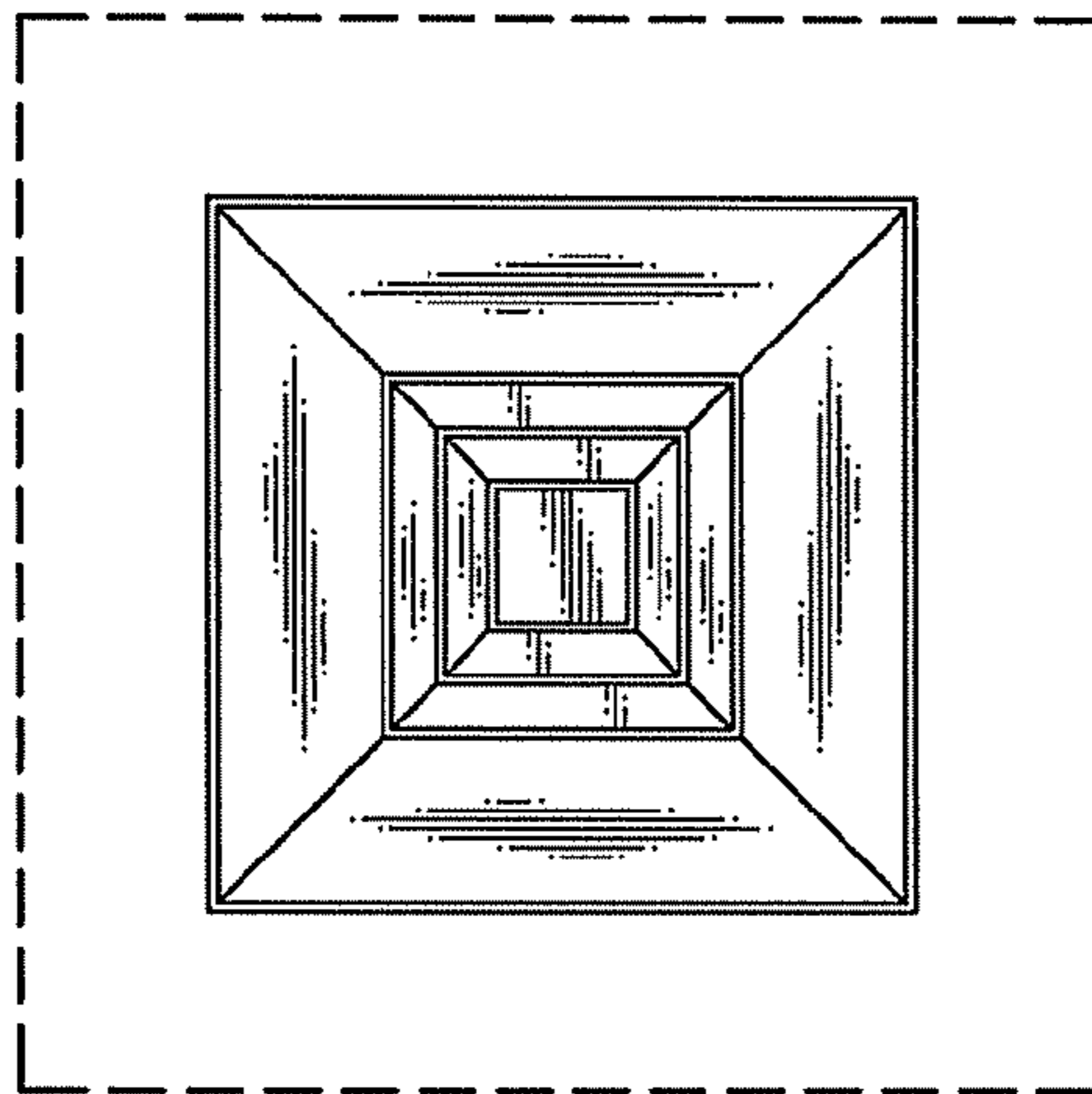


FIG. 3