



US00D601740S

(12) **United States Design Patent**
Seo

(10) **Patent No.:** **US D601,740 S**
(45) **Date of Patent:** **** Oct. 6, 2009**

(54) **RECESSED LIGHT FIXTURE**

(75) Inventor: **Ai-Sook Seo**, Nonsan (KR)
(73) Assignee: **Seohyun International Corp.** (KR)
(**) Term: **14 Years**
(21) Appl. No.: **29/305,265**
(22) Filed: **Mar. 17, 2008**

(51) **LOC (9) Cl.** **26-05**
(52) **U.S. Cl.** **D26/74**
(58) **Field of Classification Search** D26/26,
D26/37, 67, 72, 74-79, 80, 104, 108, 118,
D26/120, 122, 134; 362/147-148, 150, 217-225,
362/132, 260, 262-264, 267, 345, 365, 440;
D13/180; D23/370, 371, 385
See application file for complete search history.

(56) **References Cited**

U.S. PATENT DOCUMENTS

4,048,491	A *	9/1977	Wessman	362/364
4,232,361	A	11/1980	Kelsall		
4,293,895	A	10/1981	Kristofek		
4,336,575	A *	6/1982	Gilman	362/147
4,459,648	A	7/1984	Ullman		
4,566,057	A *	1/1986	Druffel	362/364
4,803,603	A *	2/1989	Carson	362/150
4,972,339	A	11/1990	Gabrius		
5,073,845	A	12/1991	Aubrey		
5,145,249	A	9/1992	Bruckner		
5,505,419	A	4/1996	Gabrius		
5,548,499	A	8/1996	Zadeh		
5,580,158	A	12/1996	Aubrey et al.		
5,609,413	A	3/1997	Lecluze		
D384,431	S *	9/1997	Bitton	D26/74
5,800,050	A *	9/1998	Leadford	362/296
5,857,766	A	1/1999	Sieczkowski		
5,941,625	A	8/1999	Morand		
5,957,573	A *	9/1999	Wedekind et al.	362/365
5,957,574	A *	9/1999	Hentz et al.	362/365
6,004,011	A	12/1999	Sieczkowski		
6,082,878	A	7/2000	Doubek et al.		
6,089,732	A *	7/2000	Wright et al.	362/364

6,123,438	A *	9/2000	Hentz	362/373
6,283,430	B1 *	9/2001	Schubert et al.	248/343
D448,880	S *	10/2001	Benghozi	D26/74
6,554,458	B1	4/2003	Benghozi		
6,655,813	B1 *	12/2003	Ng	362/148
6,827,471	B1	12/2004	Benghozi		
6,896,394	B2	5/2005	Houle		
7,325,948	B2	2/2008	Kay		
2002/0089851	A1	7/2002	Jamison		
2006/0109660	A1	5/2006	Wolf et al.		
2008/0068847	A1	3/2008	Bedard		

* cited by examiner

Primary Examiner—Philip S Hyder
Assistant Examiner—Susan E Krakower
(74) *Attorney, Agent, or Firm*—K&L Gates LLP

(57) **CLAIM**

The ornamental design for a recessed light fixture, as shown and described.

DESCRIPTION

FIG. 1 is a top perspective view of the recessed light fixture of my new design;
FIG. 2 is a front view of the recessed light fixture of FIG. 1;
FIG. 3 is a back view of the recessed light fixture of FIG. 1;
FIG. 4 is a right side view of the recessed light fixture of FIG. 1;
FIG. 5 is a left side view of the recessed light fixture of FIG. 1;
FIG. 6 is a top view of the recessed light fixture of FIG. 1;
FIG. 7 is a bottom view of the recessed light fixture of FIG. 1;
FIG. 8 is a top perspective view of the recessed light fixture of FIG. 1, wherein the housing and junction box are shown in an alternative position; and,
FIG. 9 is an enlarged bottom perspective view of the recessed light fixture of FIG. 1, wherein the junction box is shown in an alternative position within the housing.
The broken lines illustrate portions of the recessed light fixture or boundaries that form no part of the claimed design.

1 Claim, 6 Drawing Sheets

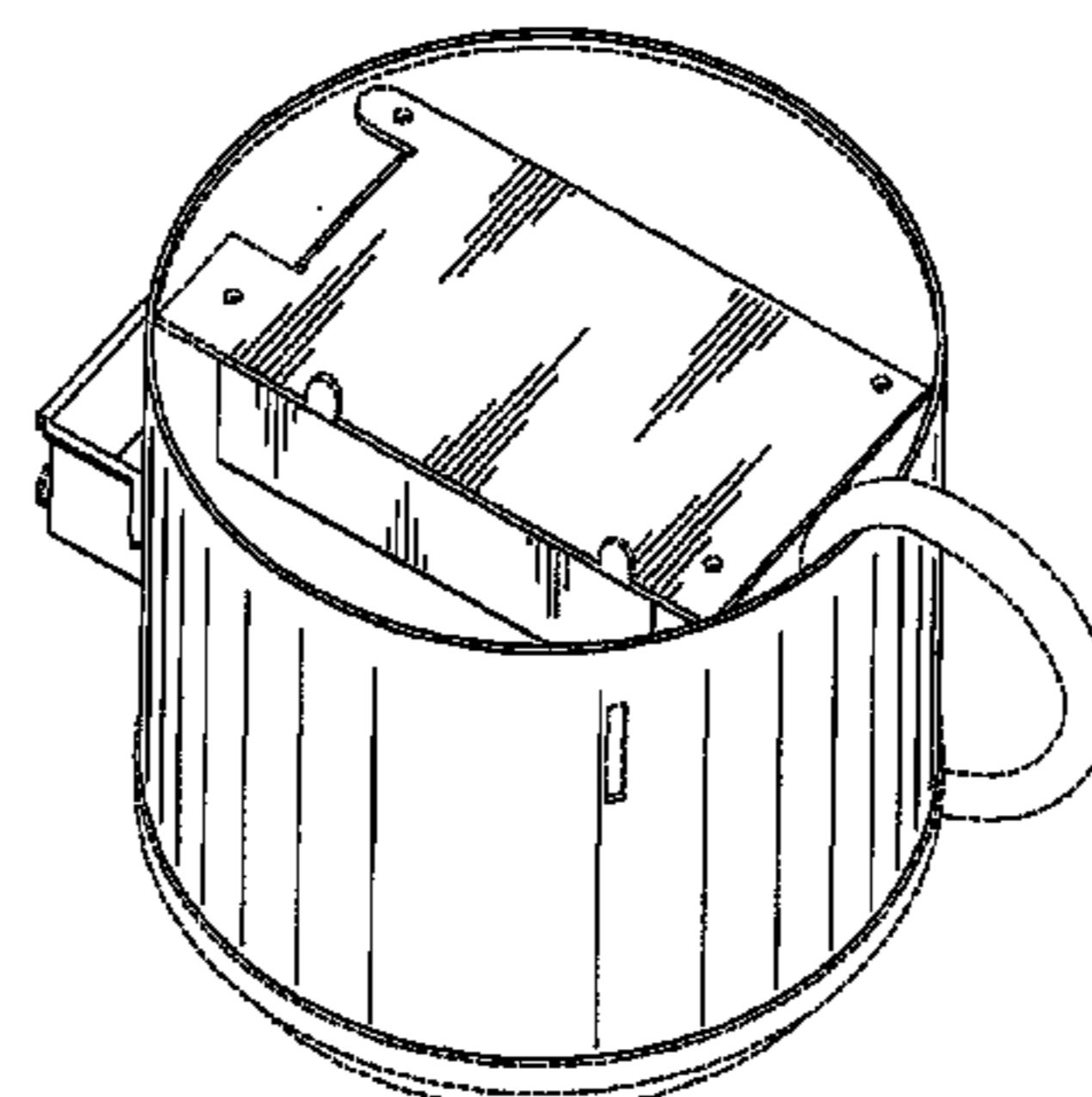
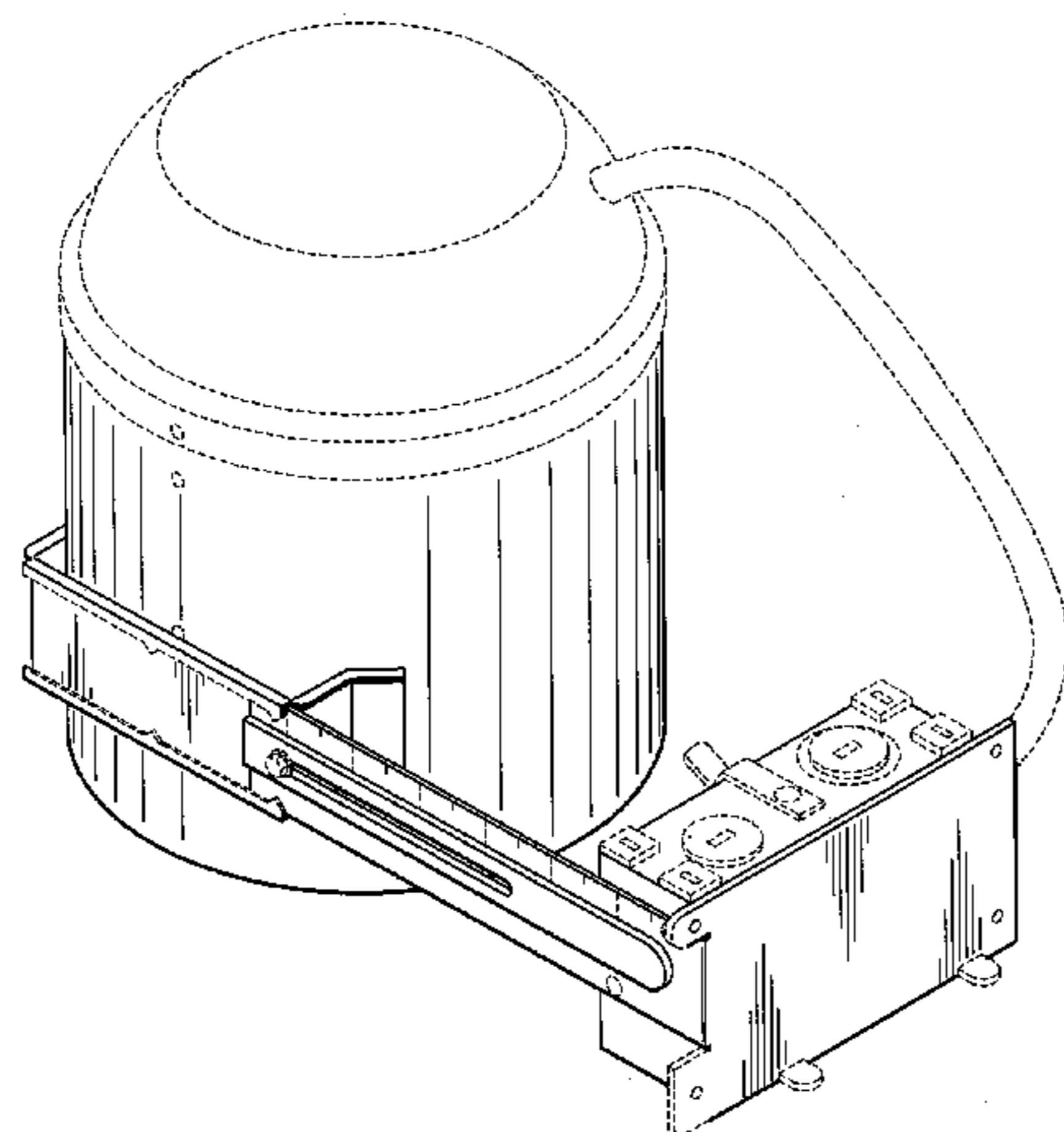


FIG. 1

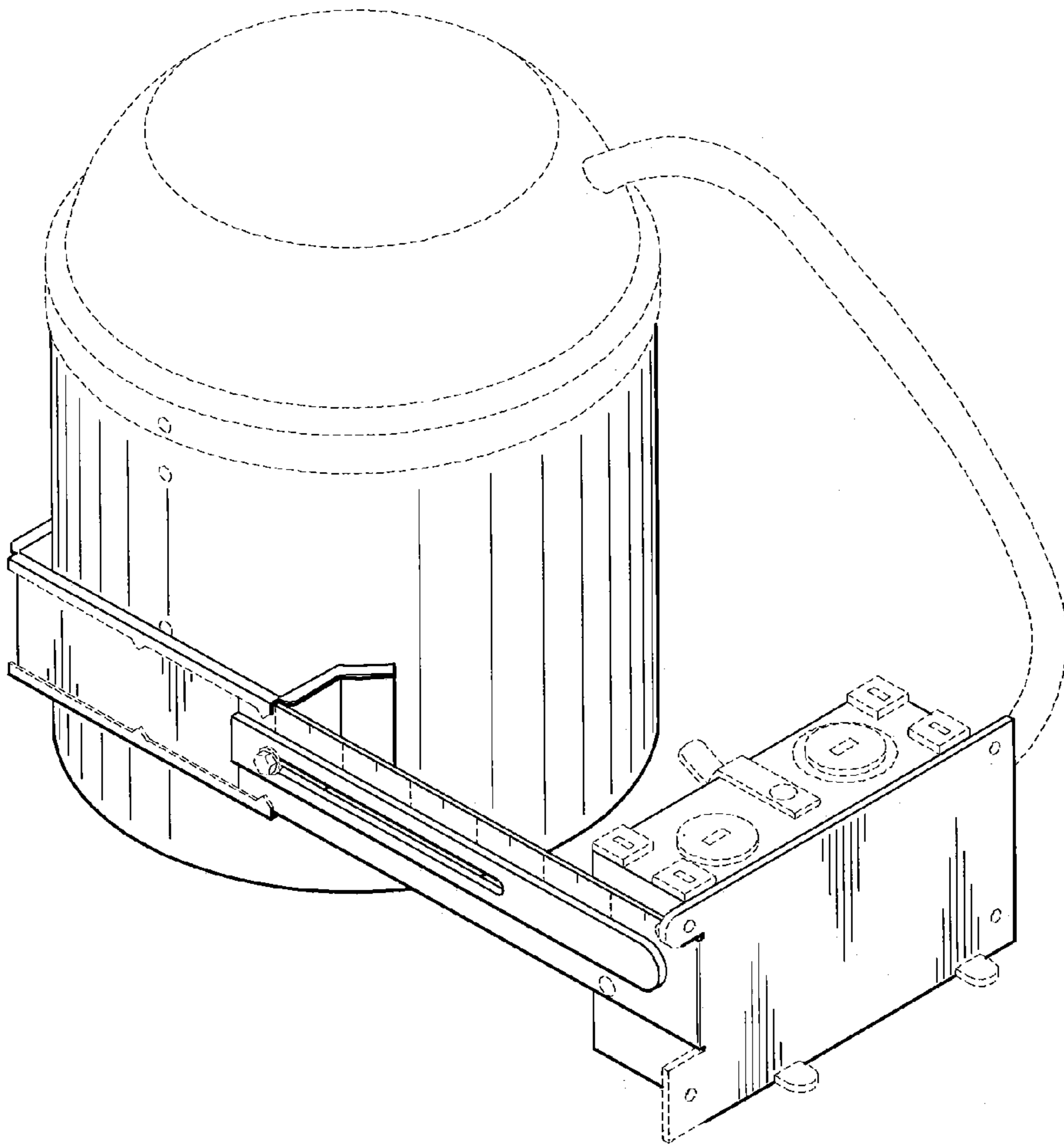


FIG. 2

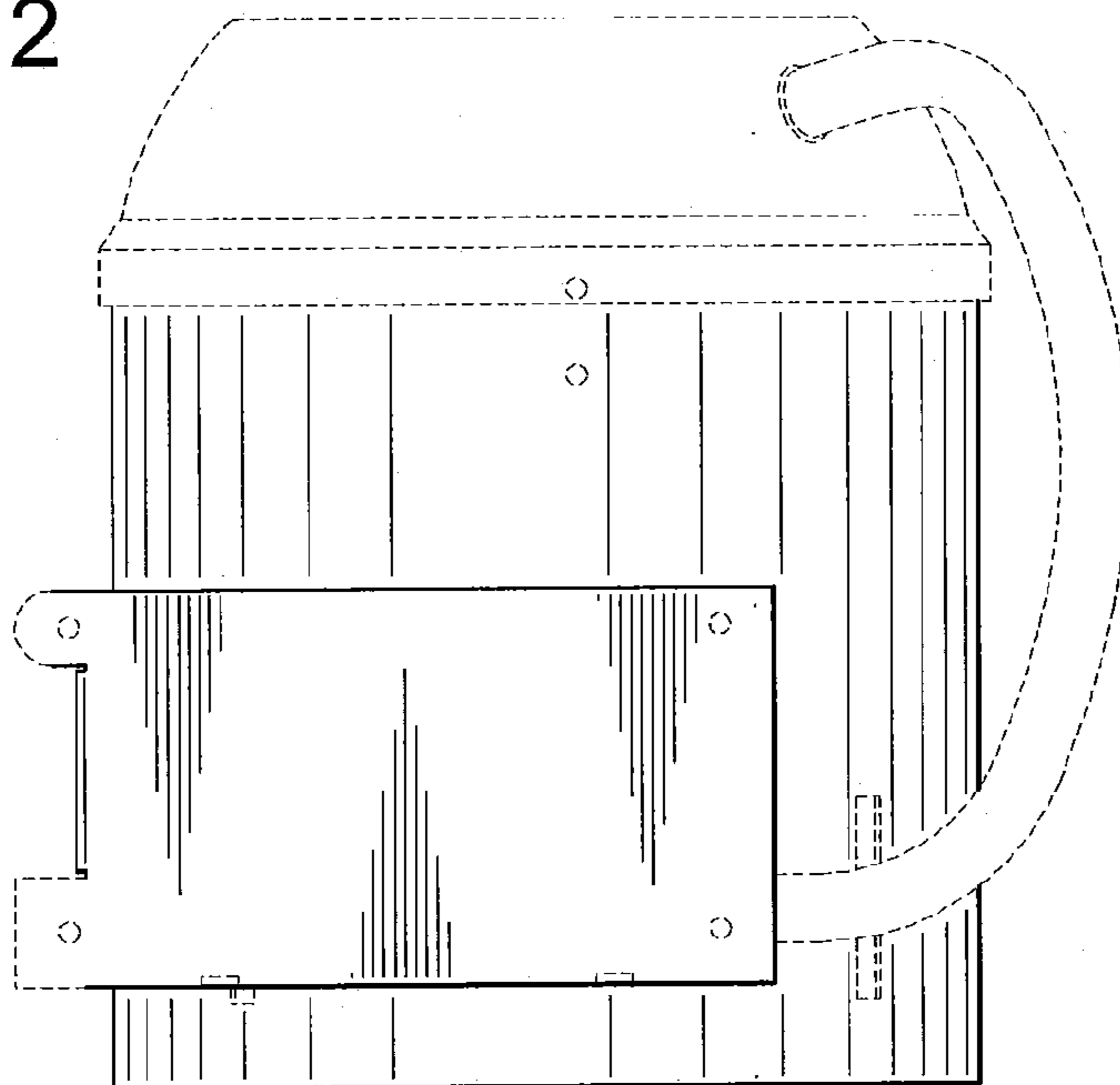


FIG. 3

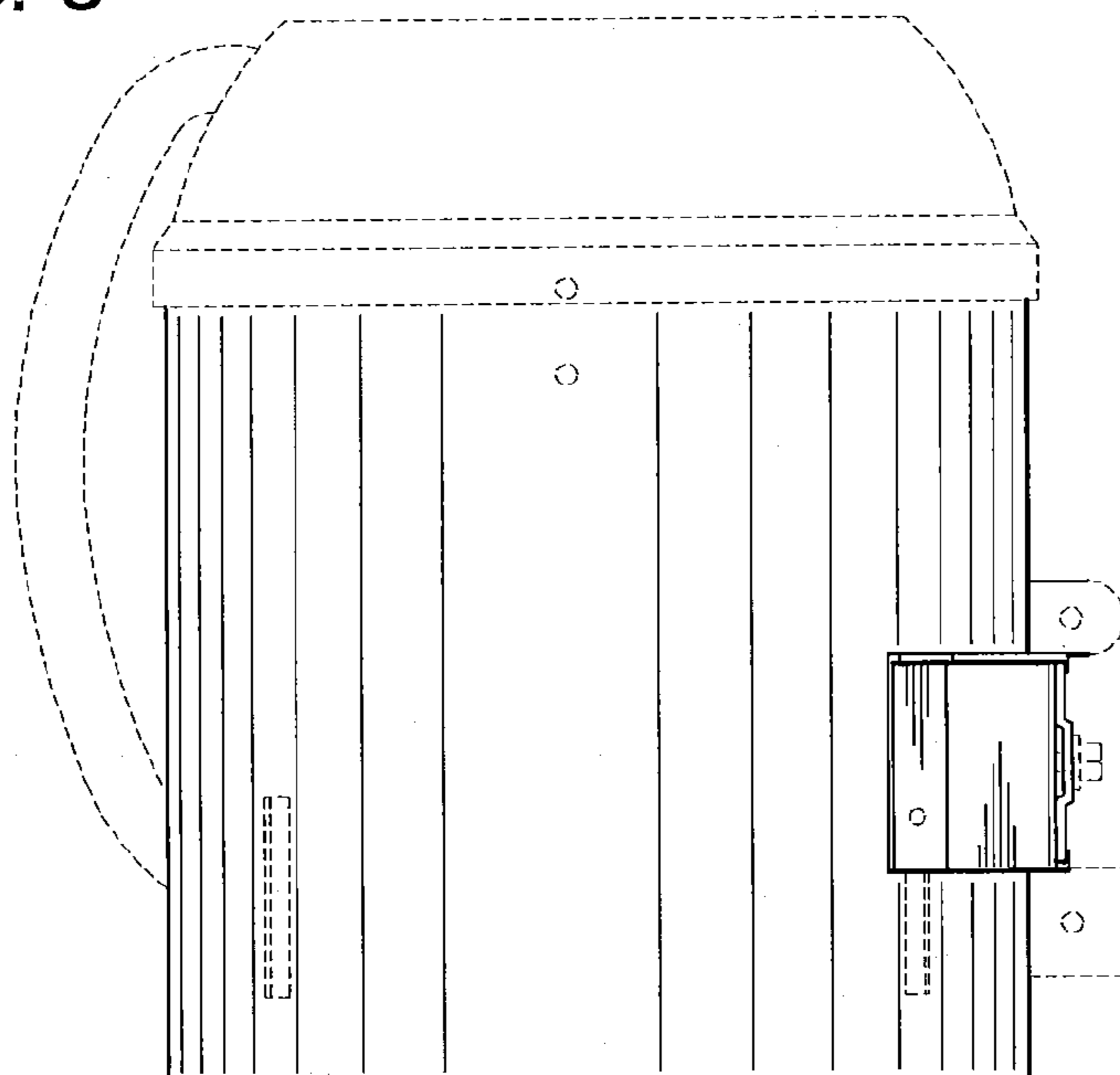


FIG. 4

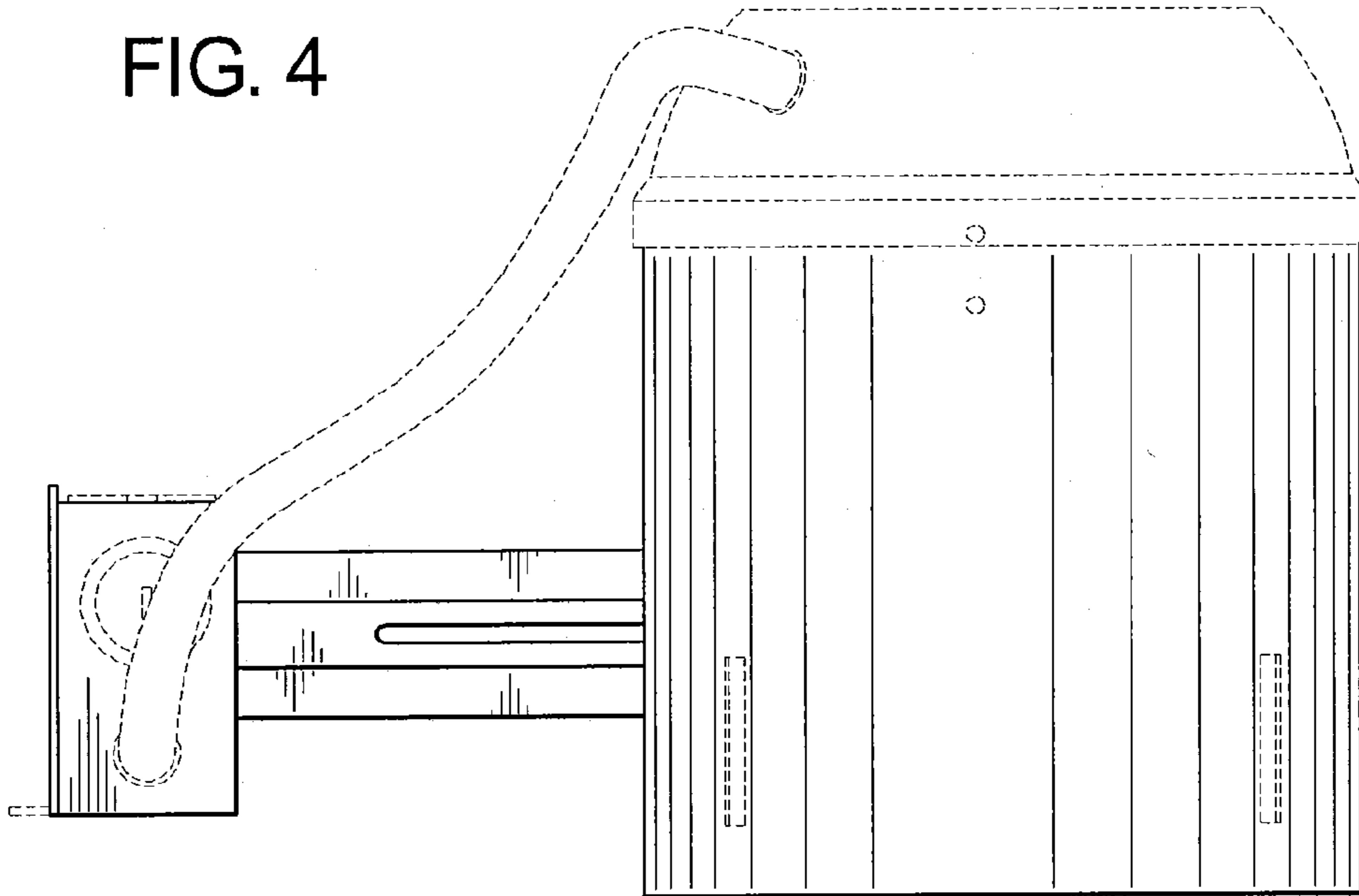


FIG. 5

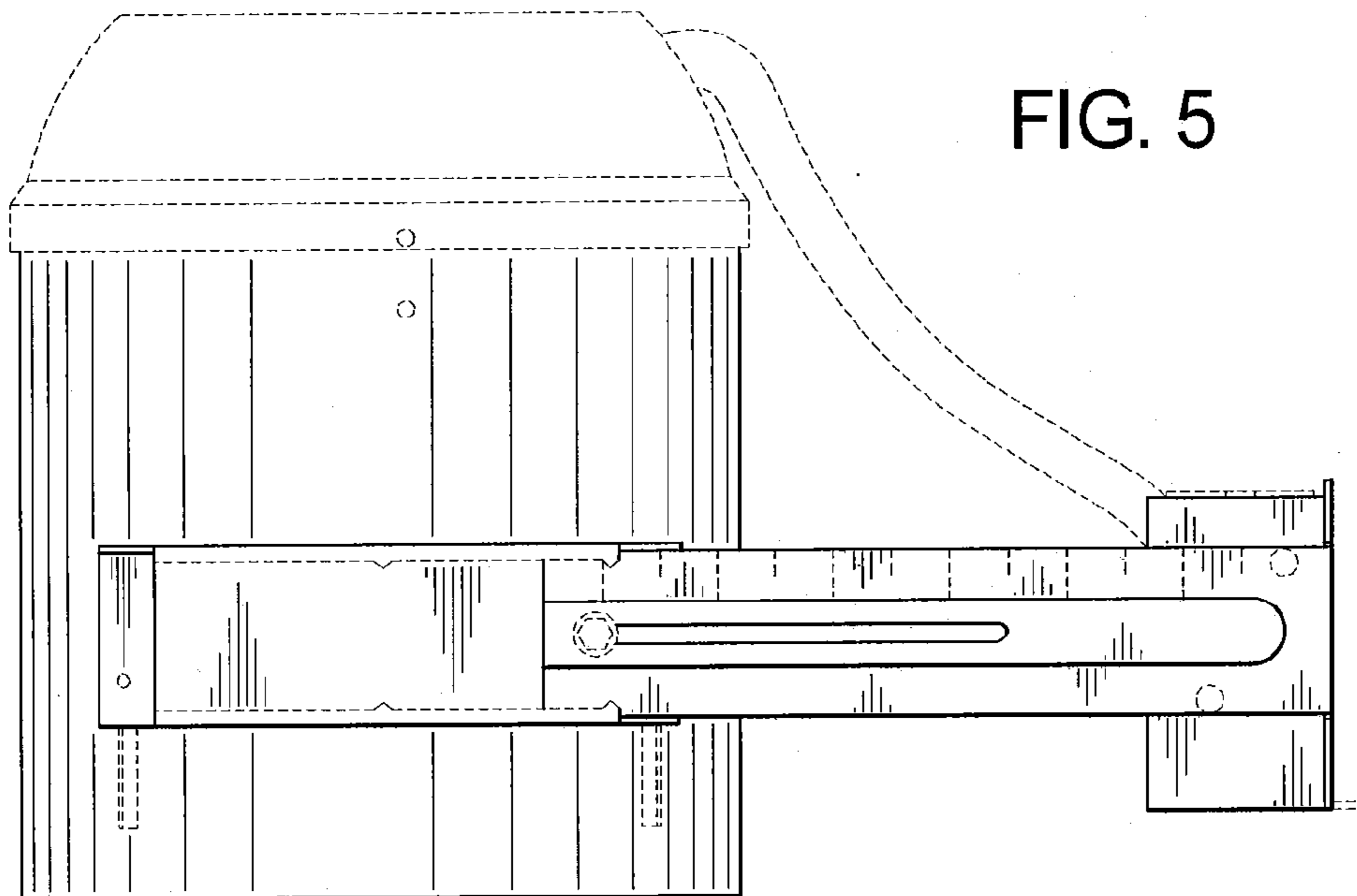


FIG. 6

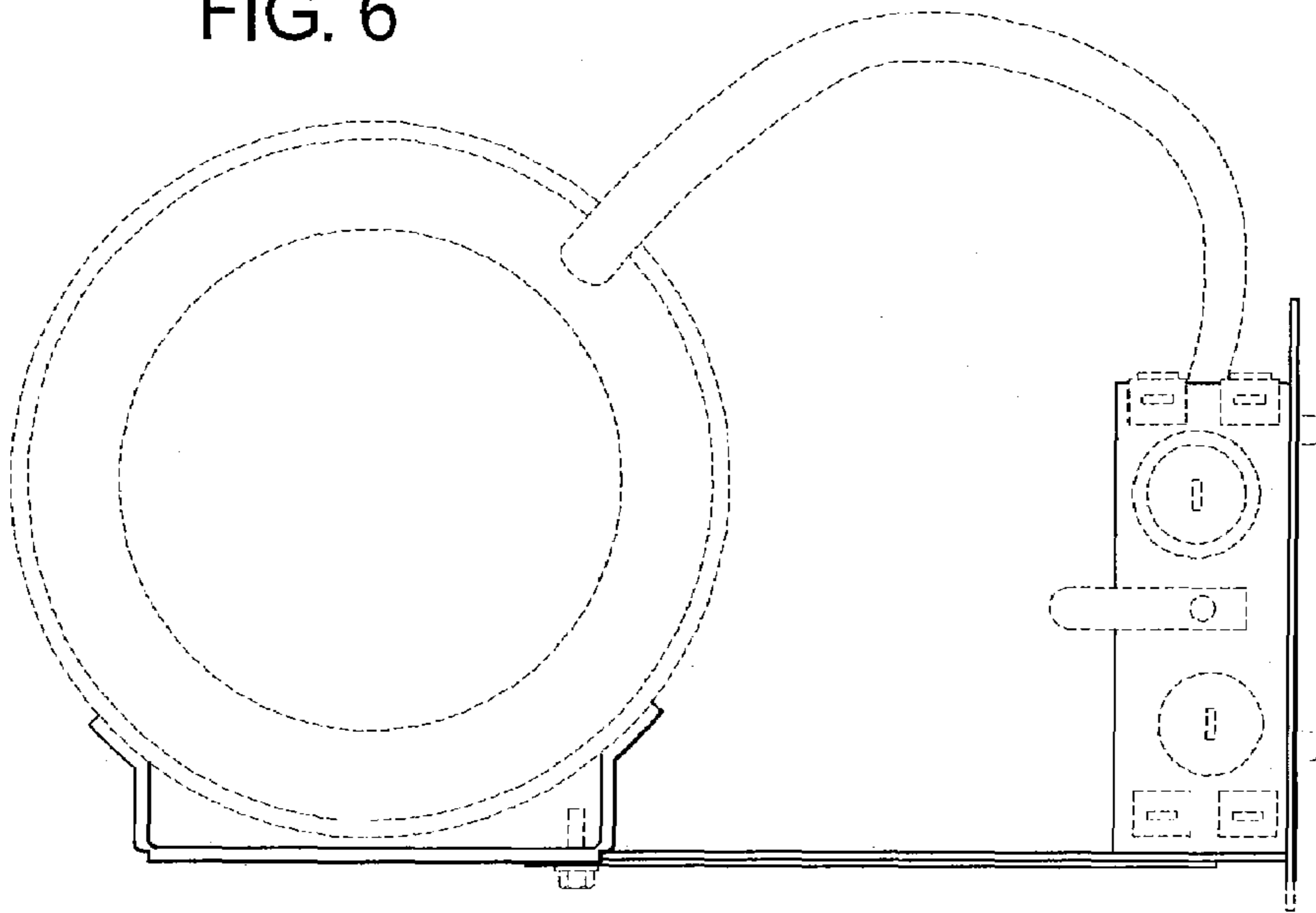


FIG. 7

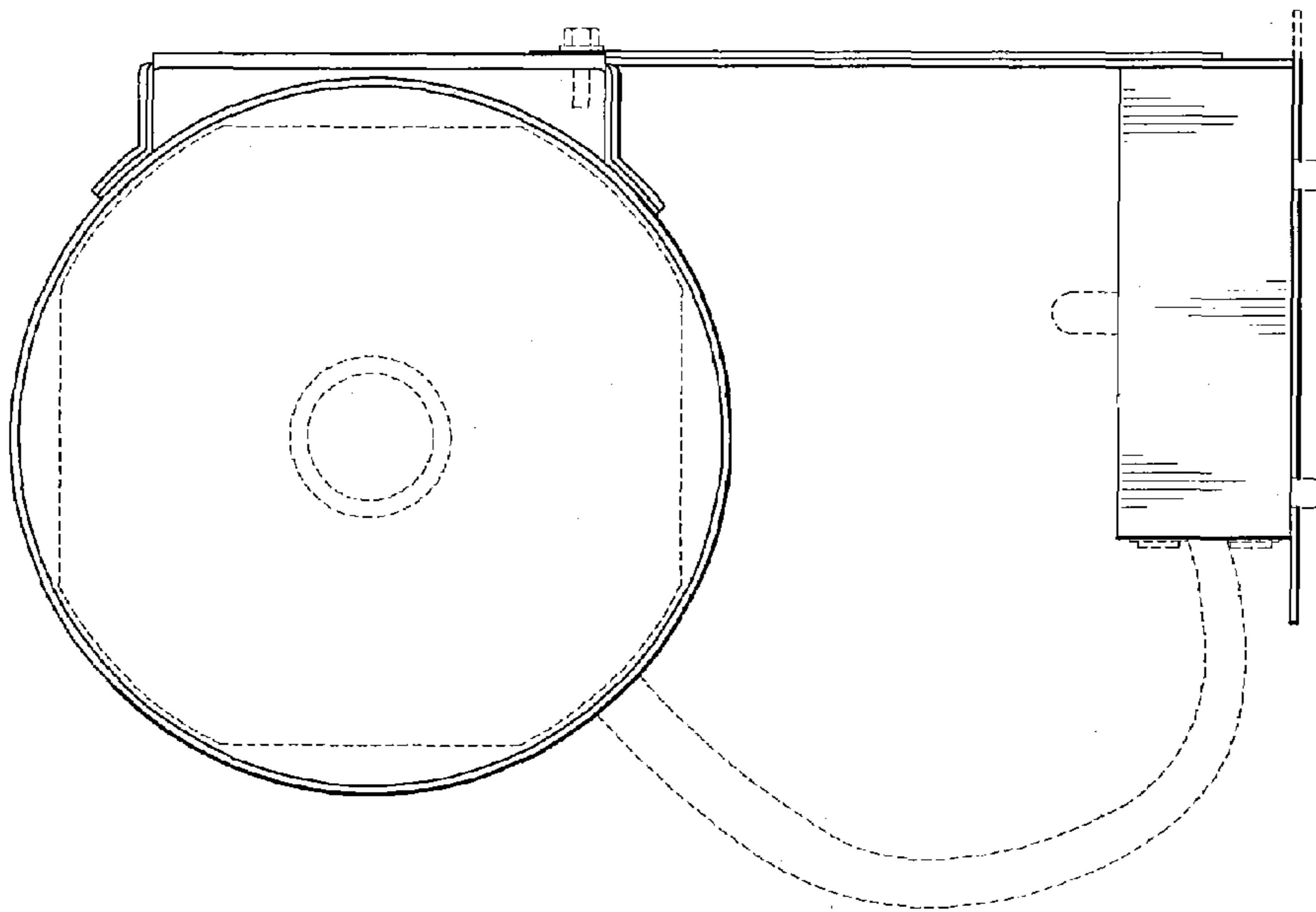


FIG. 8

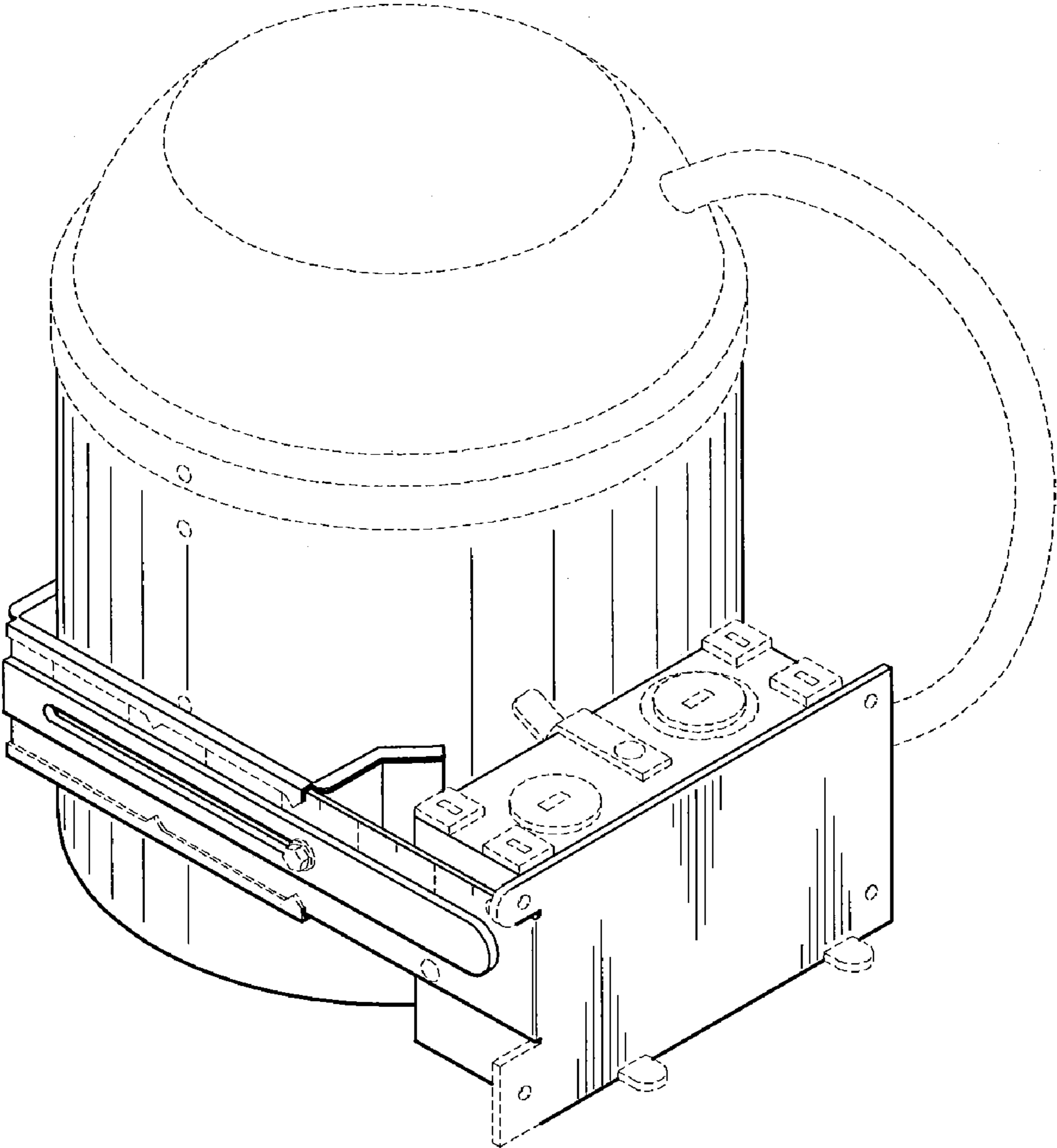


FIG.9

