



US00D601737S

(12) **United States Design Patent**  
**Swan**

(10) **Patent No.:** **US D601,737 S**

(45) **Date of Patent:** **\*\* Oct. 6, 2009**

(54) **FLASHLIGHT**

(76) **Inventor:** **Richard E. Swan**, 171 West St., E.  
Bridgewater, MA (US) 02333

(\*\*) **Term:** **14 Years**

(21) **Appl. No.:** **29/330,757**

(22) **Filed:** **Jan. 14, 2009**

(51) **LOC (9) Cl.** ..... **26-02**

(52) **U.S. Cl.** ..... **D26/49**

(58) **Field of Classification Search** ..... D26/37,  
D26/46, 49; 362/157, 158, 183, 191-208  
See application file for complete search history.

(56) **References Cited**

**U.S. PATENT DOCUMENTS**

D351,672 S	10/1994	Tsay	
D380,060 S	6/1997	Chiang	
D392,402 S	3/1998	Chen	
D417,022 S	11/1999	Chiu	
D419,254 S	1/2000	Chiu	
D421,657 S	3/2000	Siebert	
D428,504 S	7/2000	Saunders	
D455,513 S	4/2002	Galli	
D468,464 S *	1/2003	Galli	D26/37
D468,851 S	1/2003	Galli	
D469,906 S *	2/2003	Halasz	D26/49
D473,961 S *	4/2003	Galli	D26/49
D479,013 S	8/2003	Galli	
D486,937 S *	2/2004	Shiu	D26/49
D507,367 S *	7/2005	Chen	D26/37
D526,730 S	8/2006	Galli	

D565,220 S	3/2008	Galli	
D577,452 S *	9/2008	Shiu	D26/49
D577,843 S *	9/2008	Couture et al.	D26/49
D577,844 S *	9/2008	Shiu	D26/49
D578,236 S *	10/2008	Dalton	D26/49
D586,489 S *	2/2009	Shiu	D26/49
D590,084 S *	4/2009	Witte	D26/46
2003/0147239 A1 *	8/2003	Galli	362/205
2008/0089058 A1 *	4/2008	Galli et al.	362/191

\* cited by examiner

*Primary Examiner*—Ian Simmons

*Assistant Examiner*—Carissa C Fitts

(74) *Attorney, Agent, or Firm*—Barlow, Josephs & Holmes, Ltd.

(57) **CLAIM**

The ornamental design for a flashlight, as shown and described.

**DESCRIPTION**

FIG. 1 is a perspective view of the flashlight in accordance with the present invention;

FIG. 2 is a right side view thereof;

FIG. 3 is a left side view thereof;

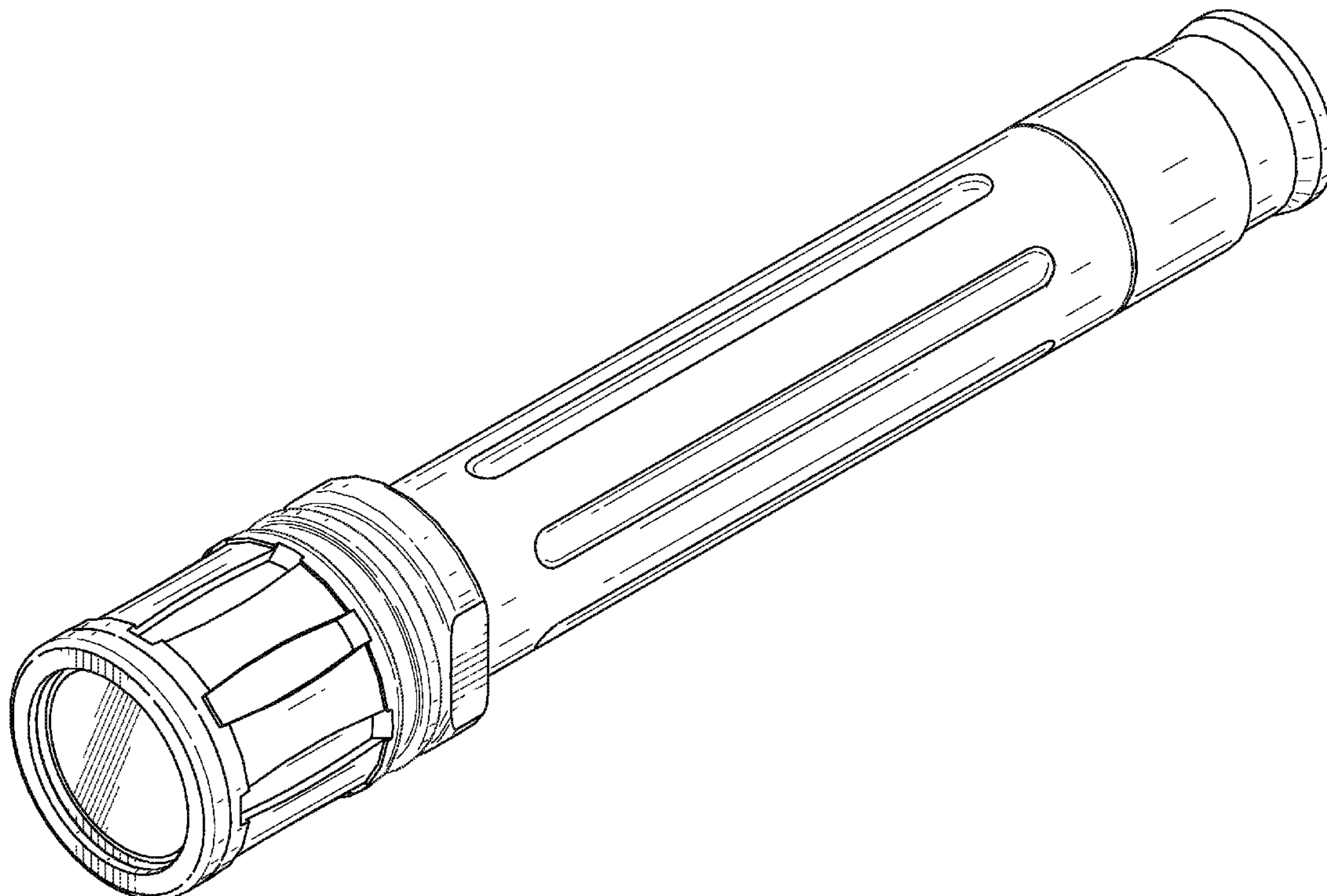
FIG. 4 is a top view thereof;

FIG. 5 is a bottom view thereof;

FIG. 6 is a front view thereof; and,

FIG. 7 is a rear view thereof.

**1 Claim, 6 Drawing Sheets**



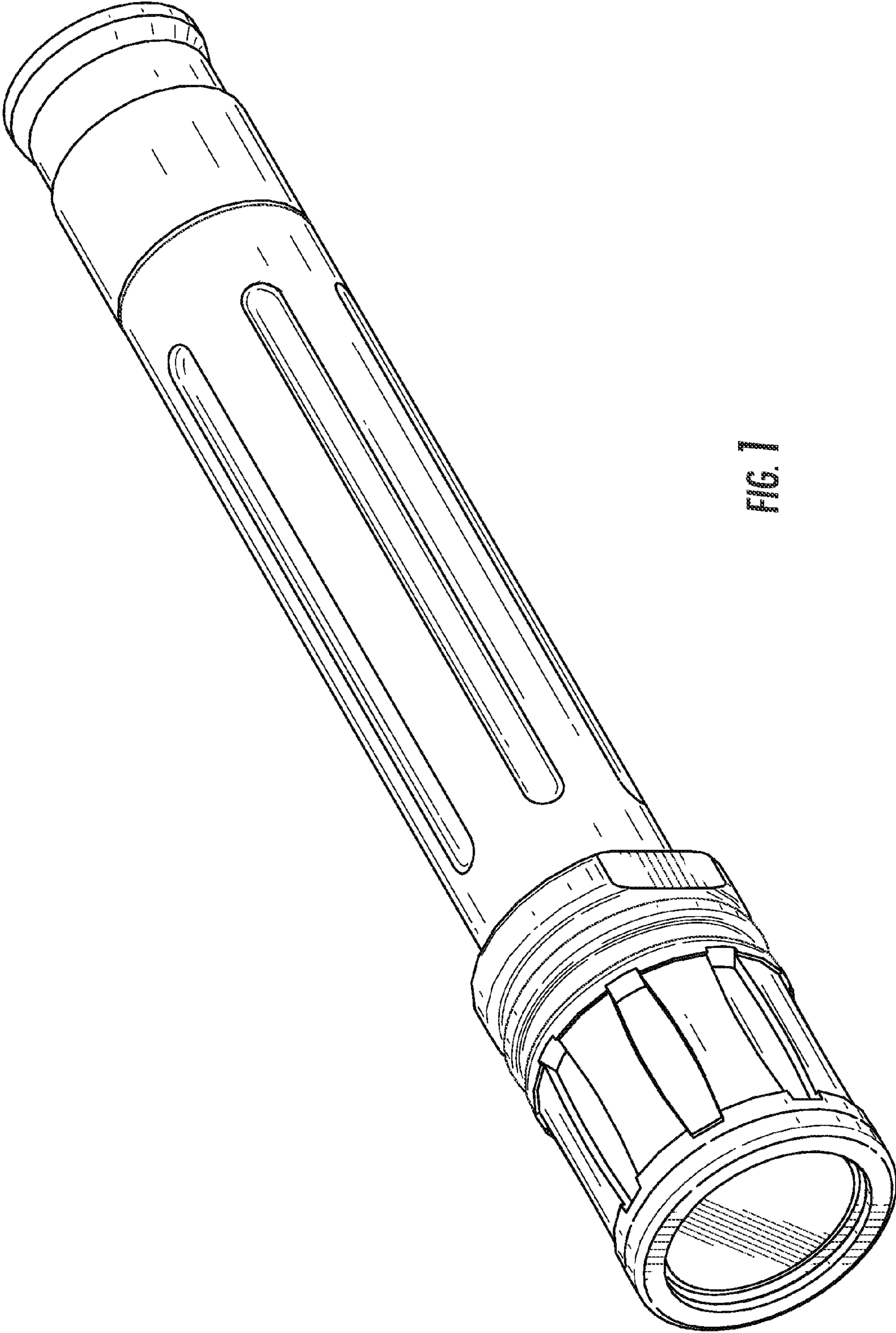


FIG. 1

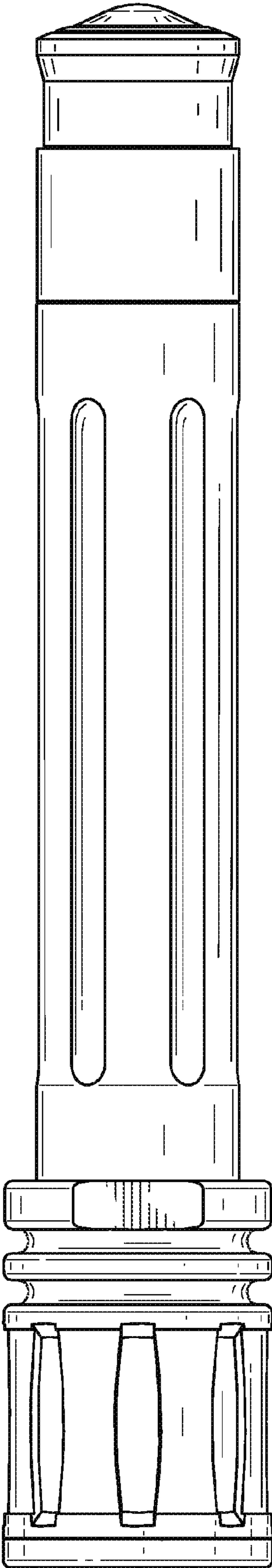


FIG. 2

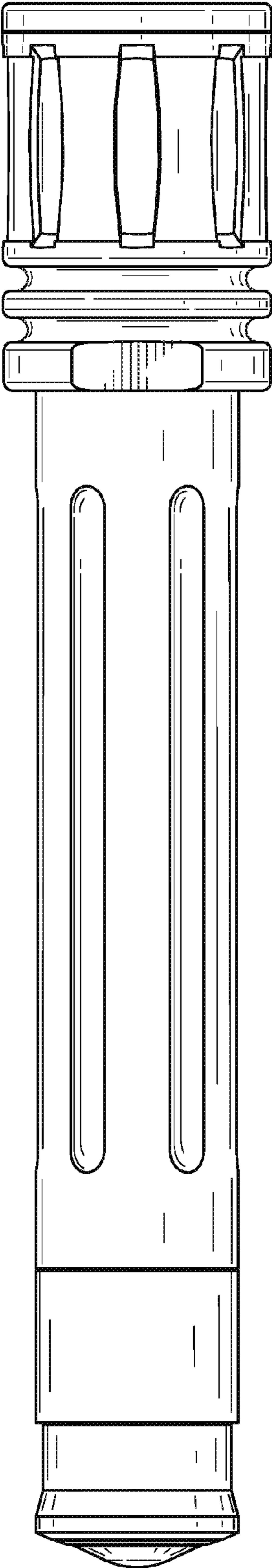


FIG. 3

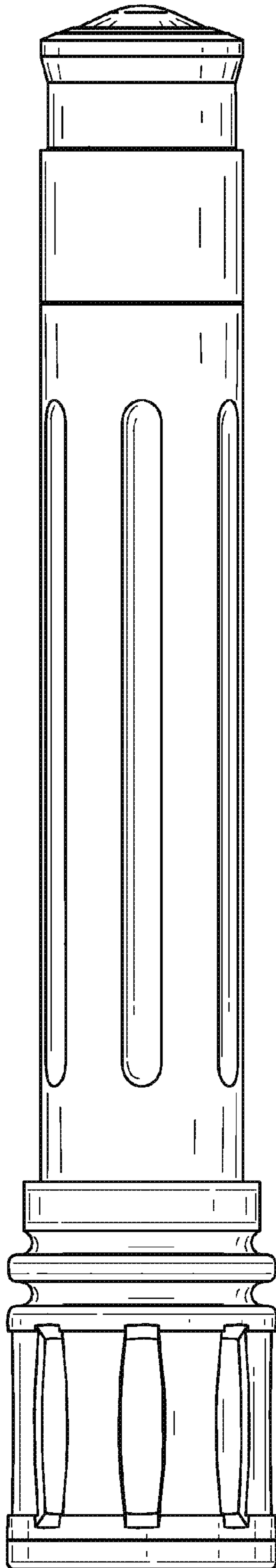


FIG. 4

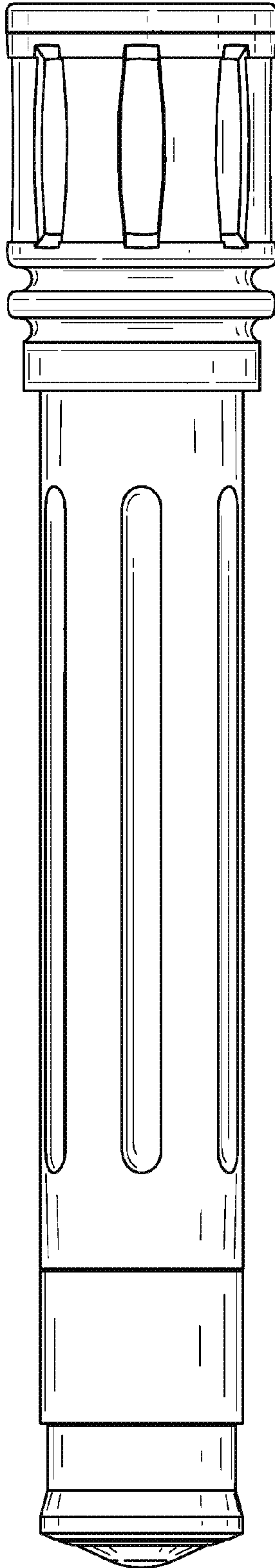
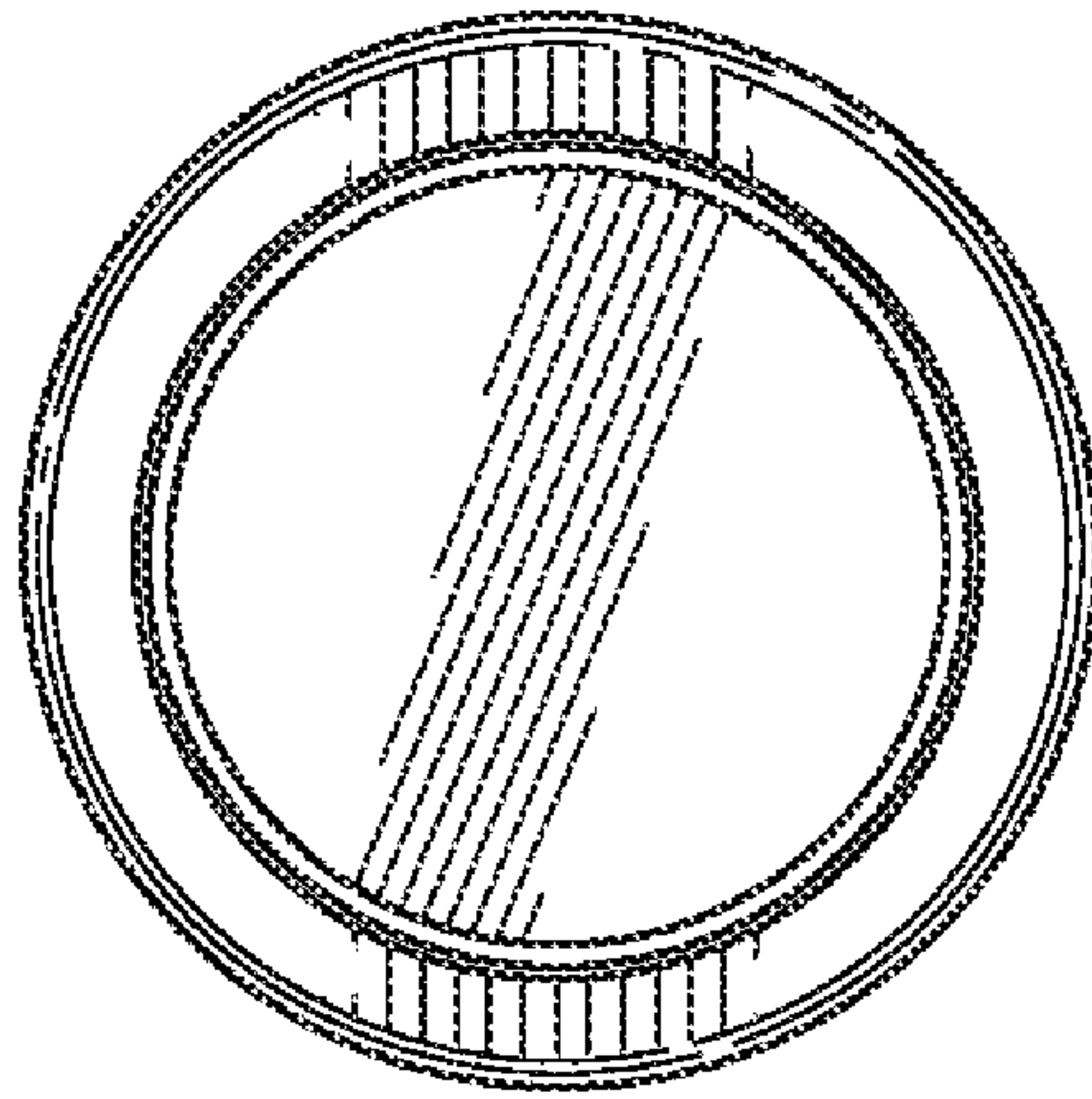
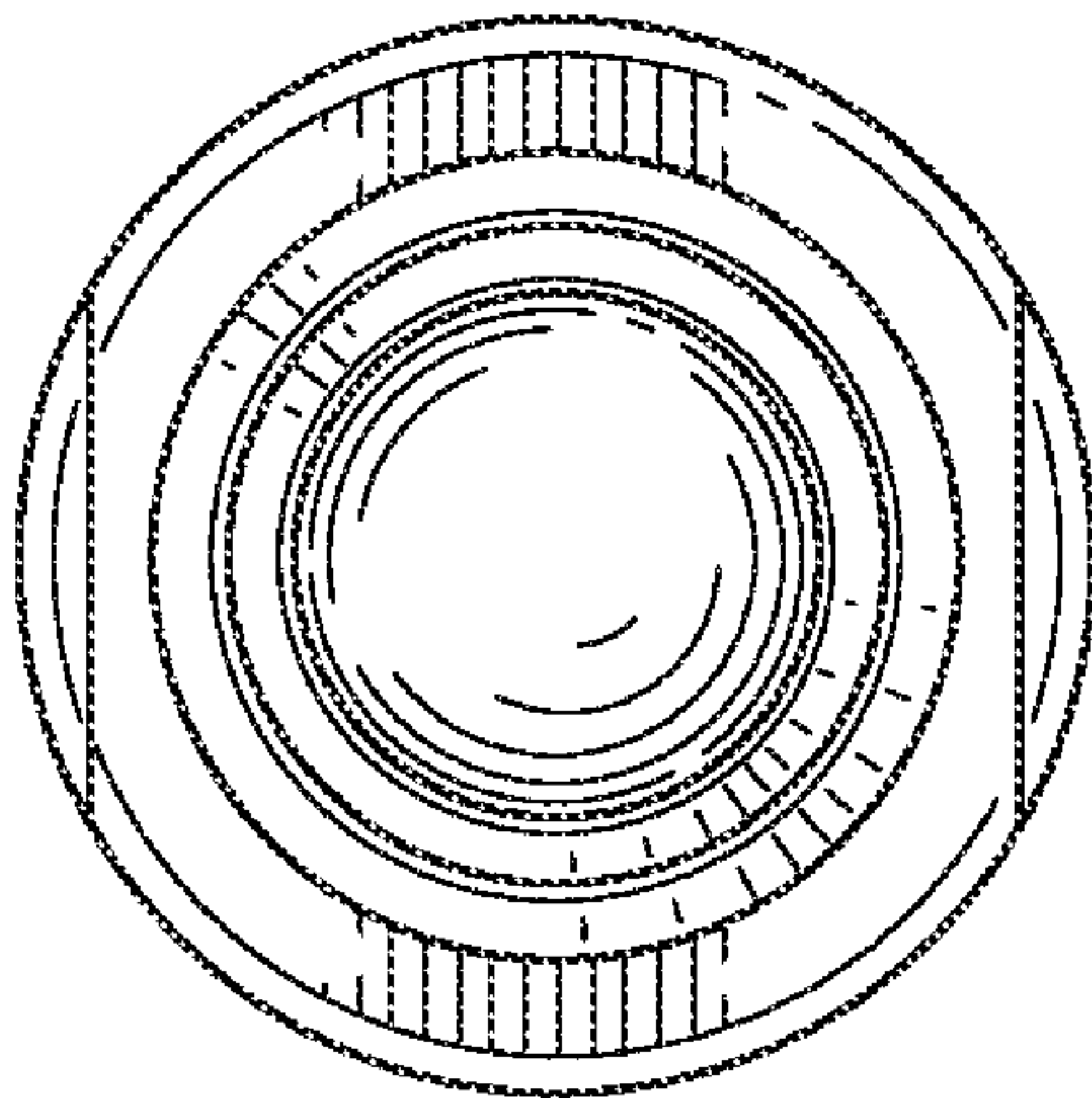


FIG. 5





**FIG. 6**



**FIG. 7**