



US00D601735S

(12) **United States Design Patent**
Chen

(10) **Patent No.:** **US D601,735 S**
(45) **Date of Patent:** **** Oct. 6, 2009**

(54) **LED FLASHLIGHT**

D569,538 S * 5/2008 Leung D26/49

(75) Inventor: **Chi Gon Chen**, Guang Zhou (CN)

* cited by examiner

(73) Assignee: **International Development LL**,
Roanoke, TX (US)

Primary Examiner—Ian Simmons
Assistant Examiner—Carissa C Fitts
(74) *Attorney, Agent, or Firm*—David W. Carstens; Jeffrey G. Degenfelder; Carstens & Cahoon, LLP

(**) Term: **14 Years**

(21) Appl. No.: **29/326,393**

(57) **CLAIM**

(22) Filed: **Oct. 16, 2008**

The ornamental design for a LED flashlight, as shown and described.

(51) **LOC (9) Cl.** **26-02**

(52) **U.S. Cl.** **D26/49**

(58) **Field of Classification Search** D26/37,
D26/46, 48, 49, 50; 362/157, 158, 183, 184,
362/194, 195, 196, 202–208

See application file for complete search history.

DESCRIPTION

FIG. 1 is a perspective view of the LED flashlight of the present invention;

FIG. 2 is a top plan view thereof;

FIG. 3 is a front elevation view; the rear elevation view being the same;

FIG. 4 is a left side elevation view; the right side elevation view being the same; and,

FIG. 5 is a bottom plan view.

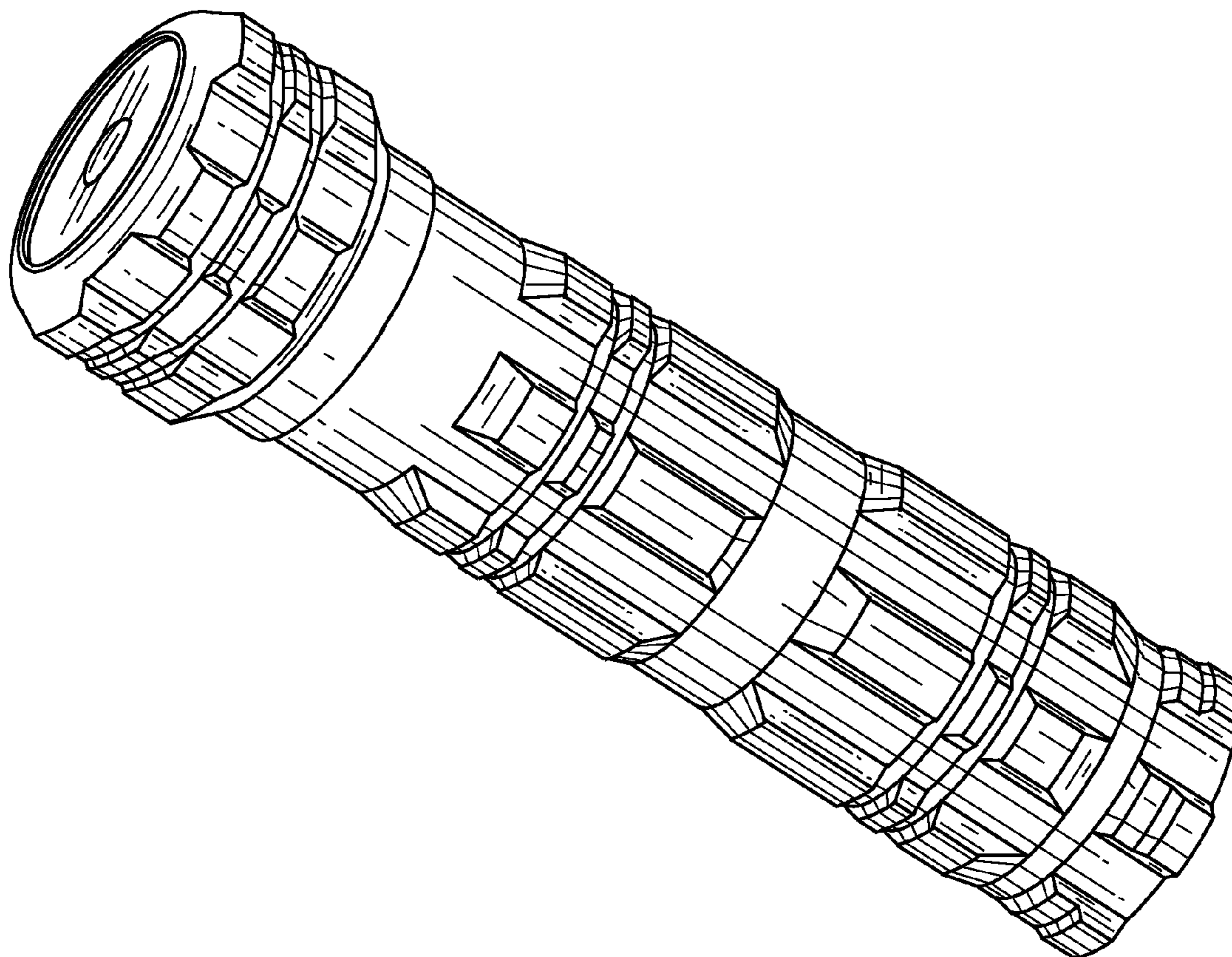
The broken line showing is for environmental purposes only and forms no part of the claimed design.

(56) **References Cited**

U.S. PATENT DOCUMENTS

D496,115 S *	9/2004	Lin	D26/49
D522,154 S *	5/2006	Man	D26/49
D531,746 S *	11/2006	Zhu	D26/49
D544,123 S *	6/2007	Galli	D26/49
D545,985 S *	7/2007	Garrity	D26/49
D553,282 S *	10/2007	Zhu	D26/49
D563,008 S *	2/2008	Garrity et al.	D26/49

1 Claim, 2 Drawing Sheets



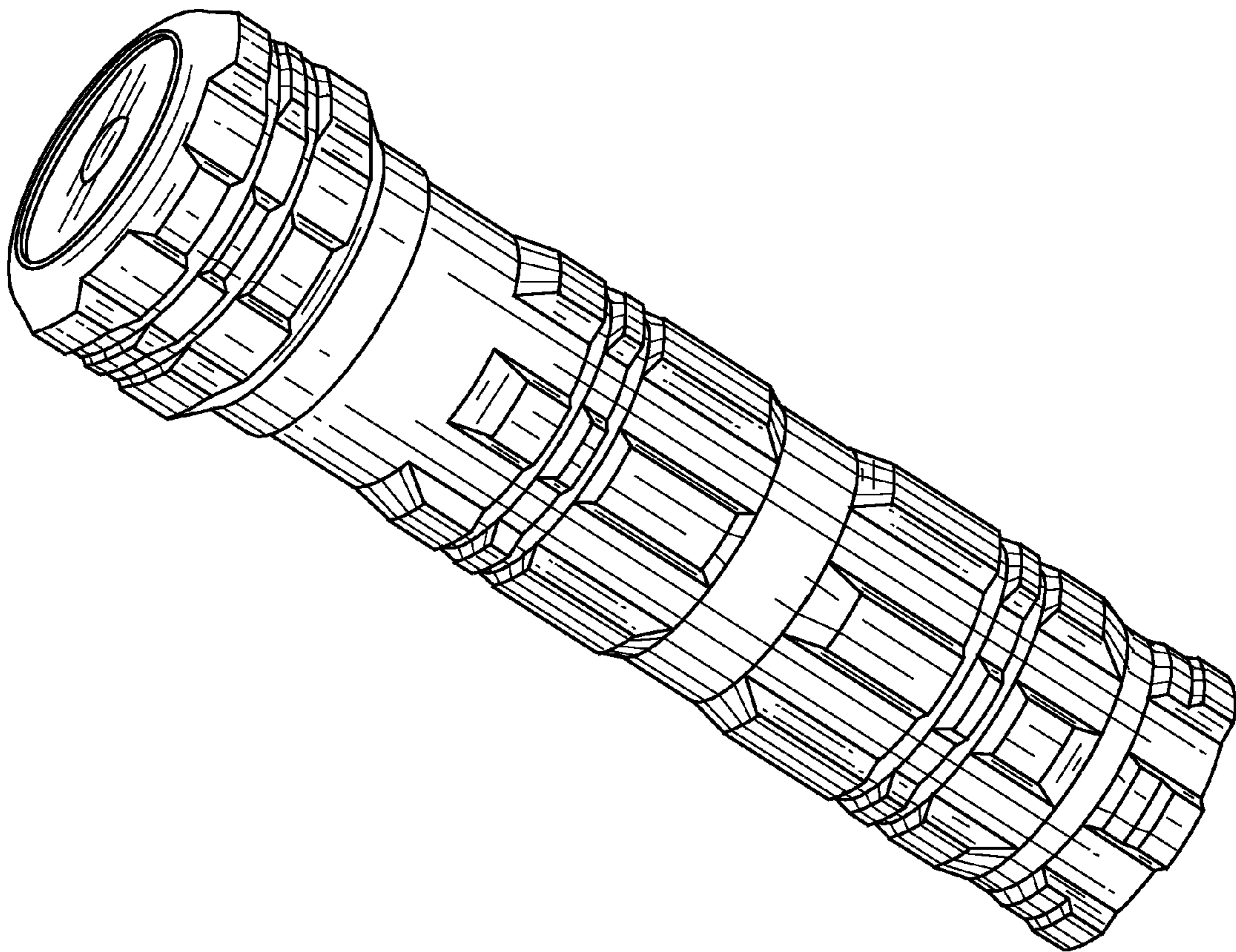


Fig. 1

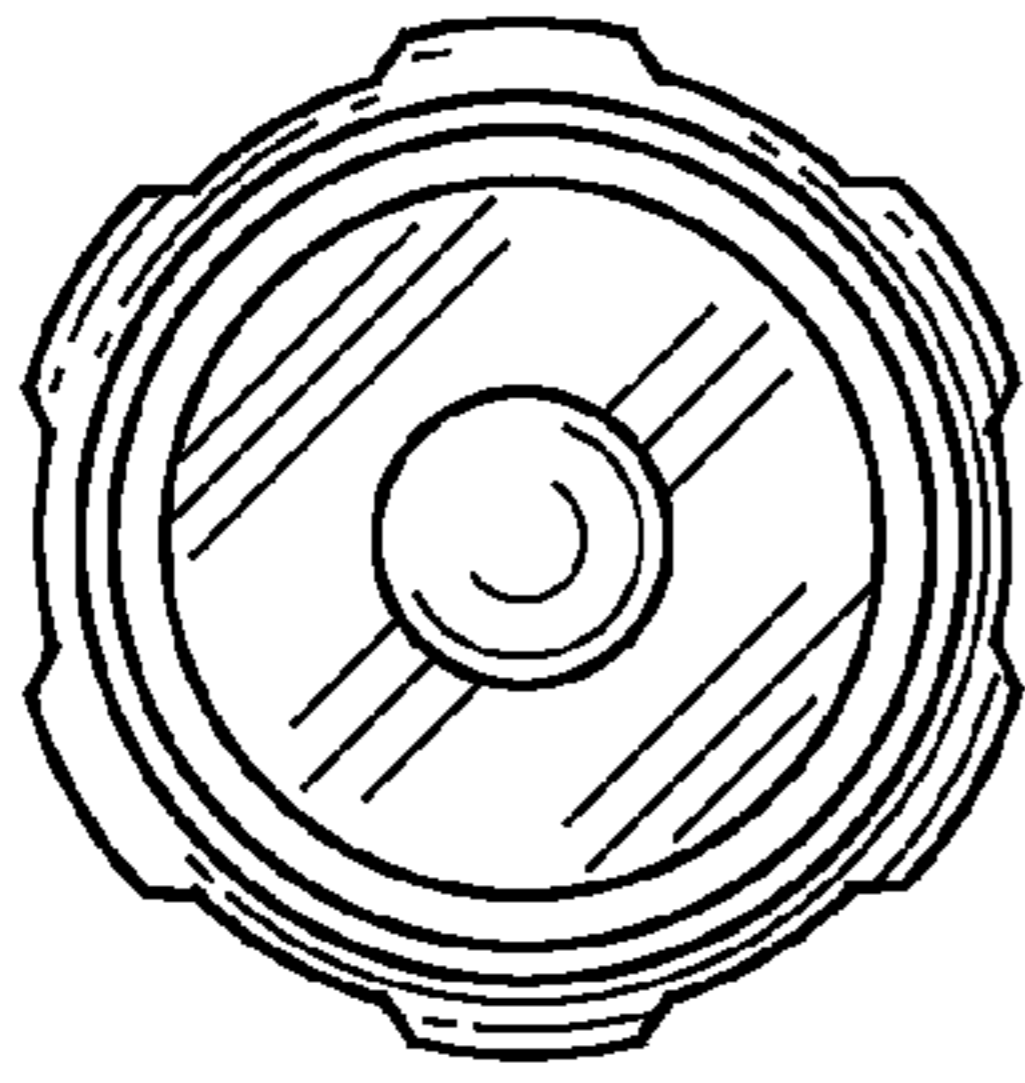


Fig. 2

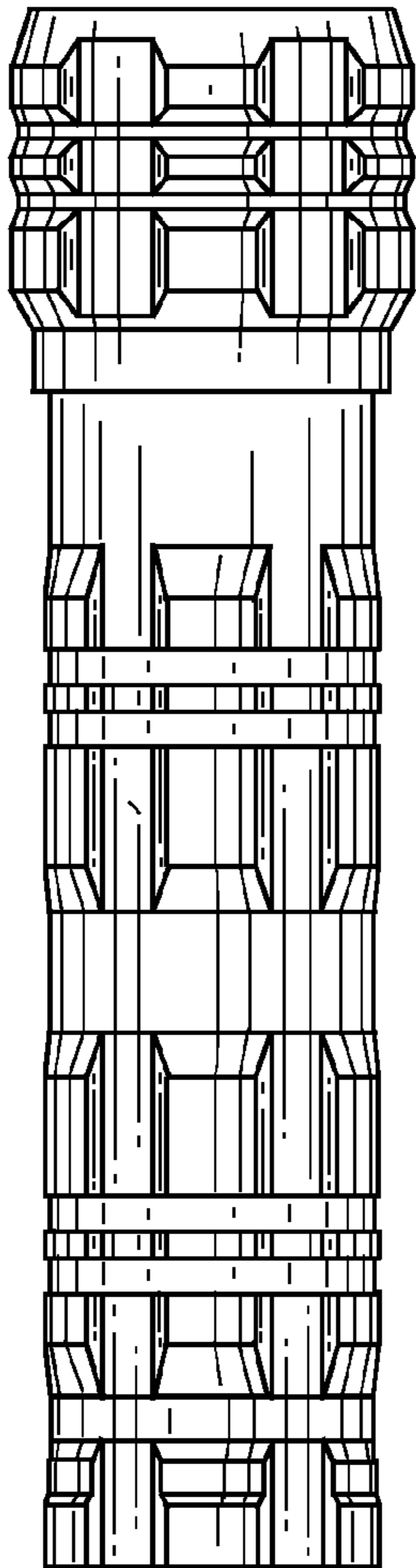


Fig. 3

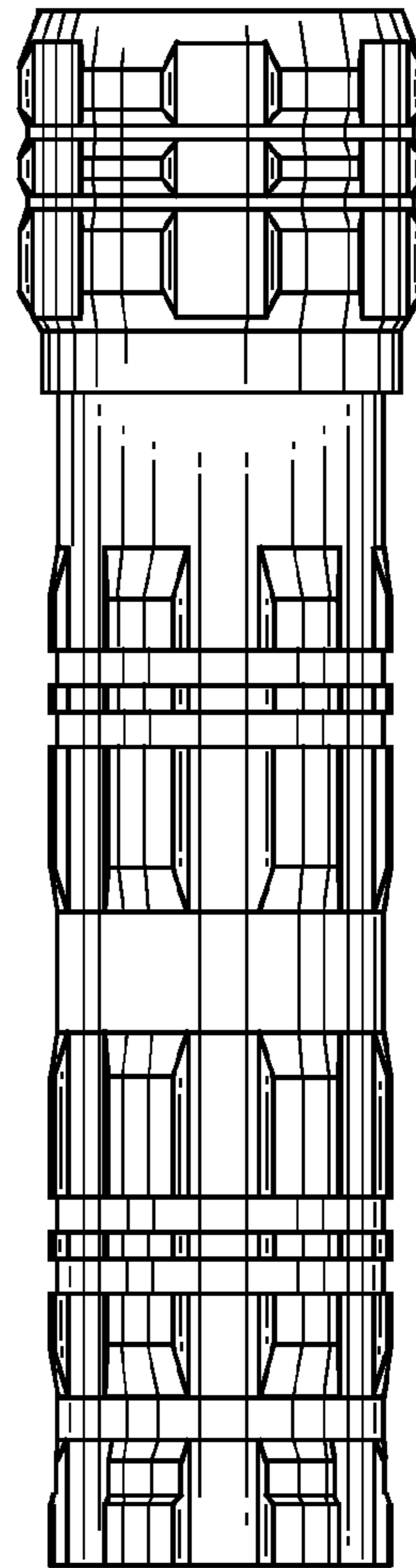


Fig. 4

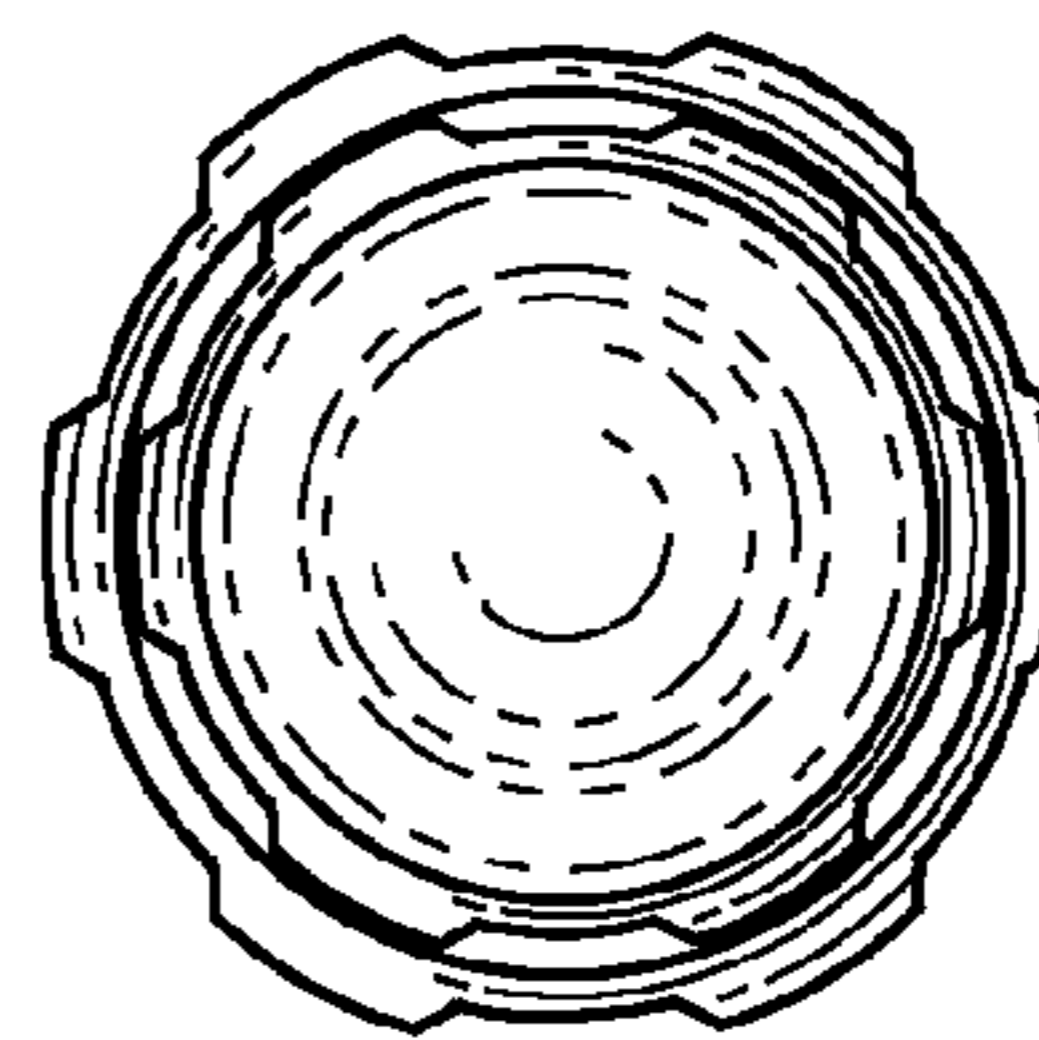


Fig. 5