



US00D601734S

(12) **United States Design Patent**  
**Feng**

(10) **Patent No.:** **US D601,734 S**

(45) **Date of Patent:** **\*\* Oct. 6, 2009**

(54) **BATTERY PACK WITH LIGHT**

(76) **Inventor:** **Gang Feng**, 4th Floor, No. 399 Jianlan Road, Ningbo Hi-Tech Zone, Ningbo (CN) 315040

(\*\*) **Term:** **14 Years**

(21) **Appl. No.:** **29/320,588**

(22) **Filed:** **Jun. 30, 2008**

(30) **Foreign Application Priority Data**

Dec. 29, 2007 (CN) ..... 2007 3 0277692

(51) **LOC (9) Cl.** ..... **26-02**

(52) **U.S. Cl.** ..... **D26/46**

(58) **Field of Classification Search** ..... D26/38,  
D26/37, 46, 49, 51; 362/157, 158, 183, 195,  
362/196, 200-208

See application file for complete search history.

(56) **References Cited**

**U.S. PATENT DOCUMENTS**

D239,198 S *	3/1976	Nau	.....	D26/46
D261,052 S *	9/1981	Henkels	.....	D26/46
D313,662 S *	1/1991	Caires	.....	D26/37
D324,578 S *	3/1992	Tsuyama	.....	D26/28
D351,244 S *	10/1994	Lee	.....	D26/46
D376,859 S *	12/1996	Garrity, Sr.	.....	D26/37
D400,494 S *	11/1998	Blase	.....	D13/103
D415,585 S *	10/1999	Leung	.....	D26/37

D417,860 S *	12/1999	Lau	.....	D13/103
D437,579 S *	2/2001	Toops et al.	.....	D13/103
D439,688 S *	3/2001	Suzuki	.....	D26/37
D443,085 S *	5/2001	Dalton et al.	.....	D26/37
D498,551 S *	11/2004	Chan	.....	D26/37
D543,304 S *	5/2007	Chan	.....	D26/60
D544,976 S *	6/2007	Lui	.....	D26/46
D566,312 S *	4/2008	Lui	.....	D26/46

\* cited by examiner

*Primary Examiner*—Charles A Rademaker

*Assistant Examiner*—Carissa C Fitts

(74) *Attorney, Agent, or Firm*—Matthias Scholl P.C.; Matthias Scholl

(57) **CLAIM**

The ornamental design for a battery pack with light, as shown and described.

**DESCRIPTION**

FIG. 1 is a top plan view of a battery pack with light;

FIG. 2 is a rear elevational view thereof;

FIG. 3 is a perspective view thereof;

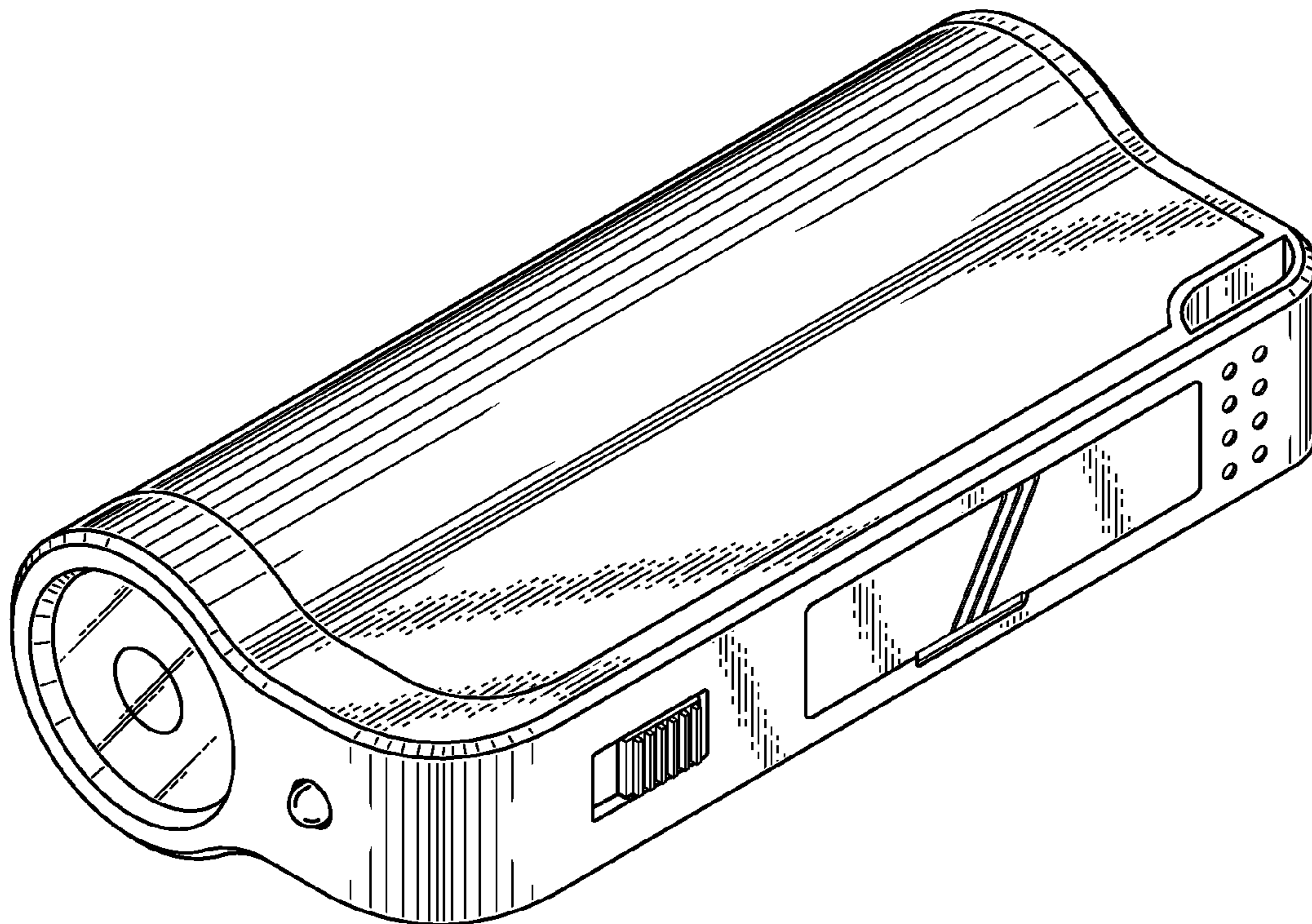
FIG. 4 is a bottom elevational view thereof;

FIG. 5 is a left side elevational view thereof;

FIG. 6 is a front elevational view thereof; and,

FIG. 7 is a right side elevational view thereof.

**1 Claim, 3 Drawing Sheets**



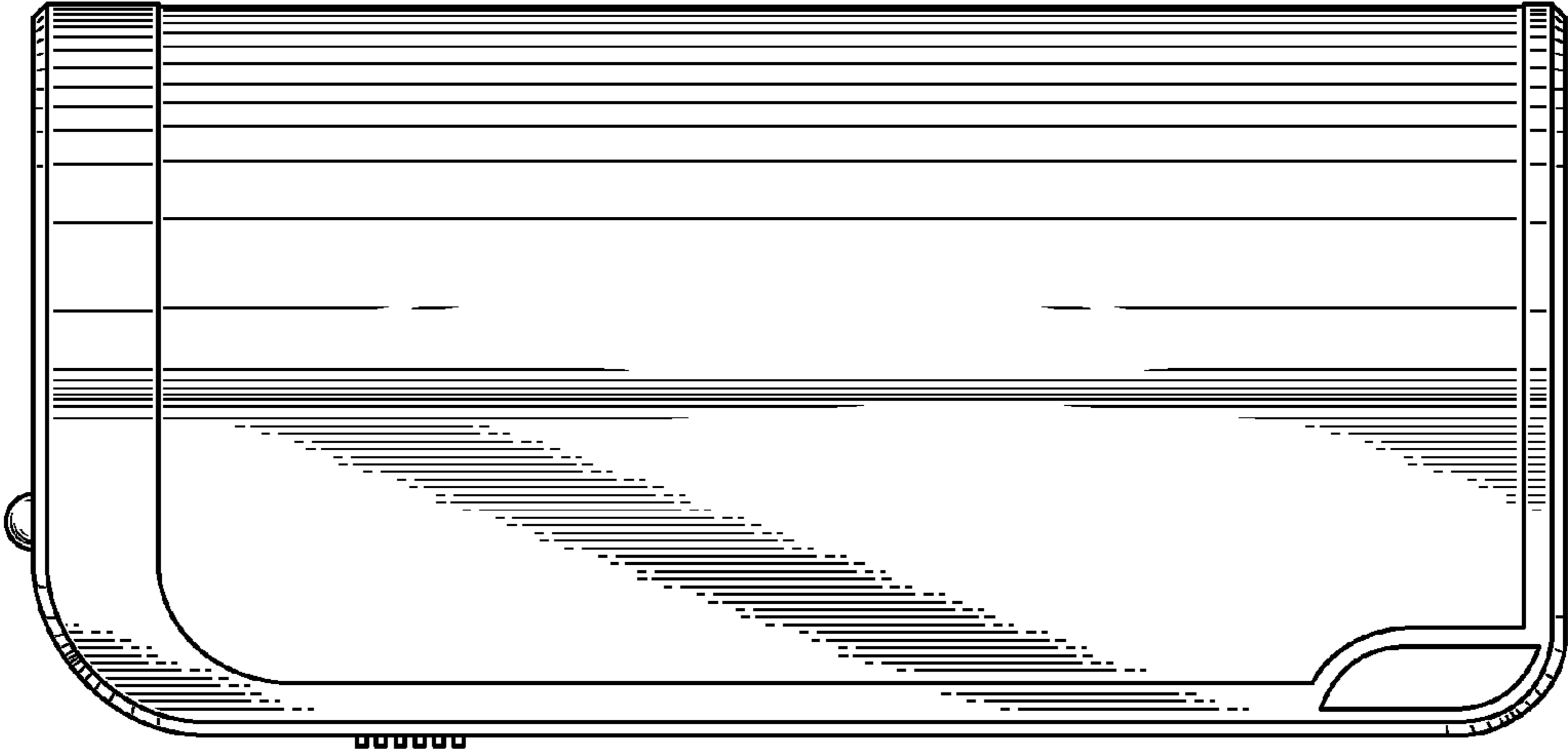


FIG. 1

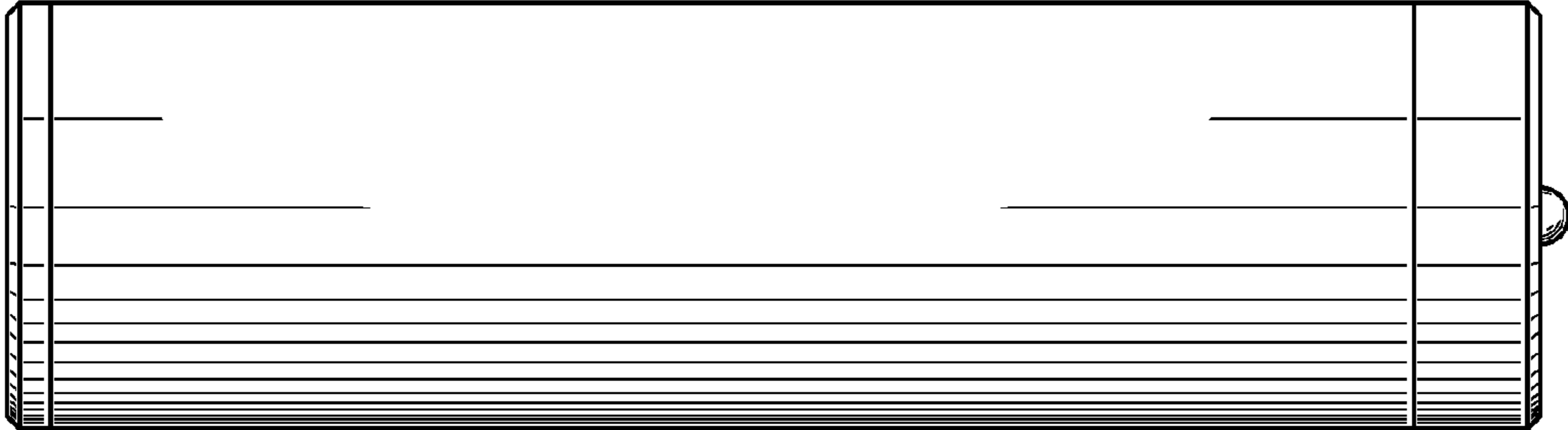


FIG. 2

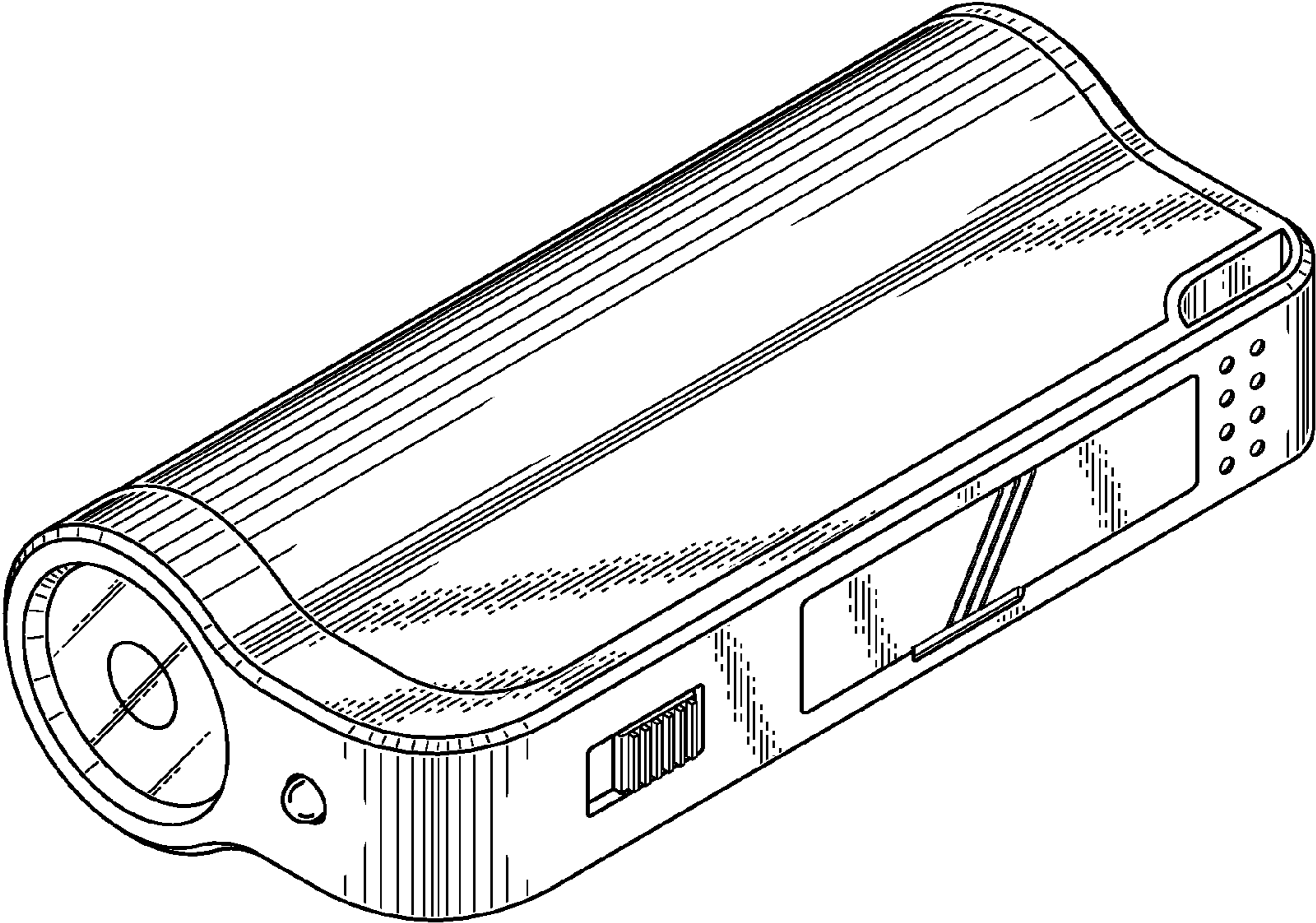


FIG. 3

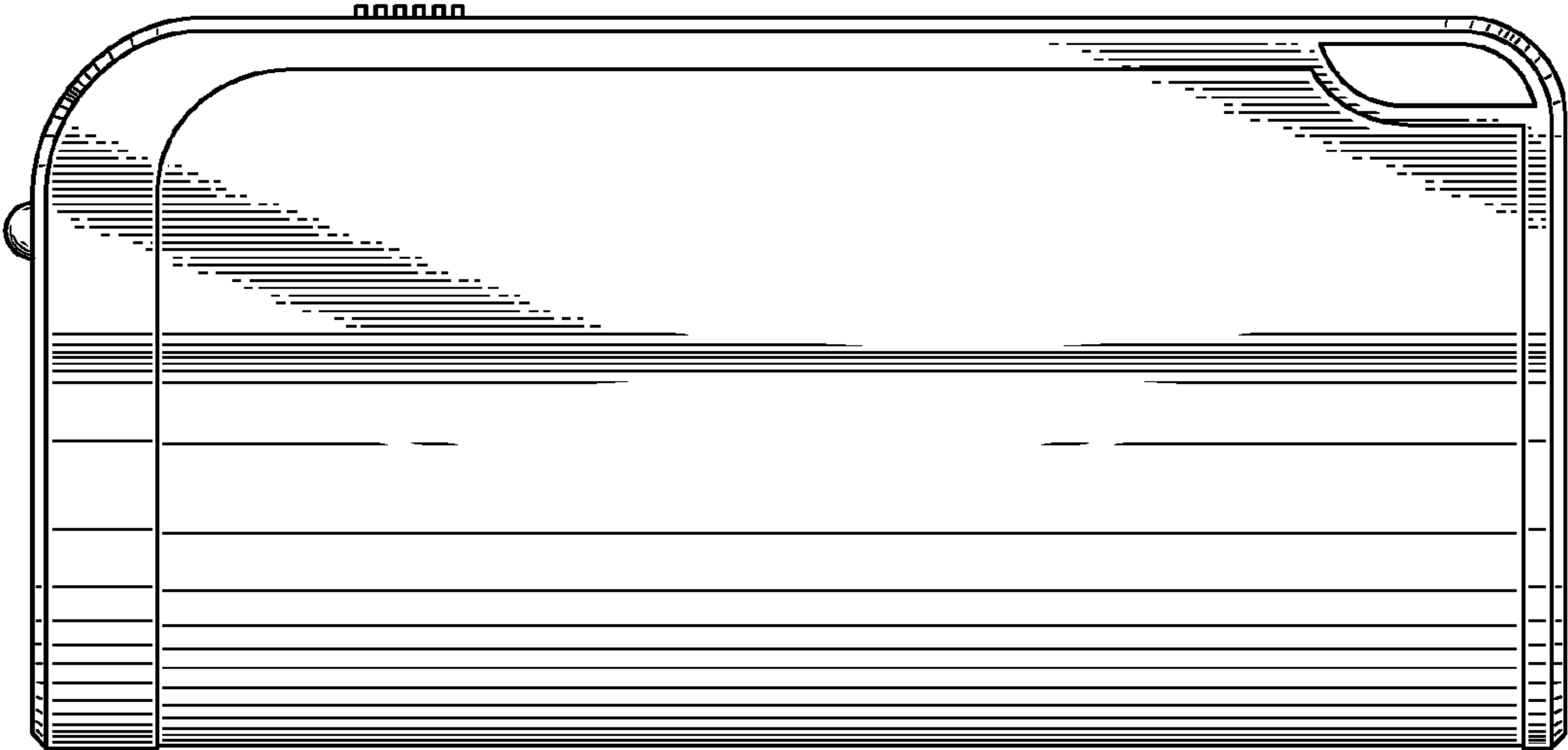
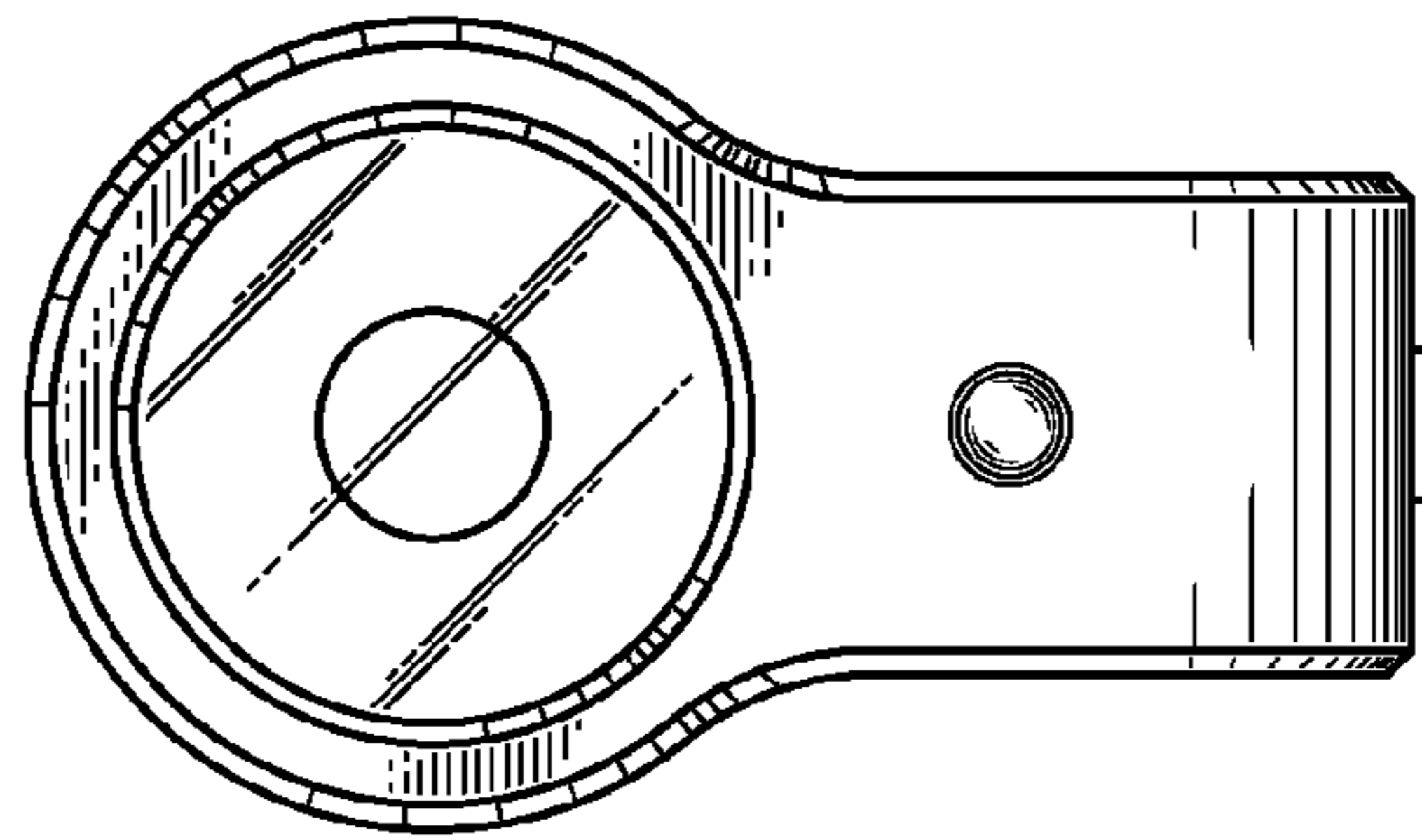
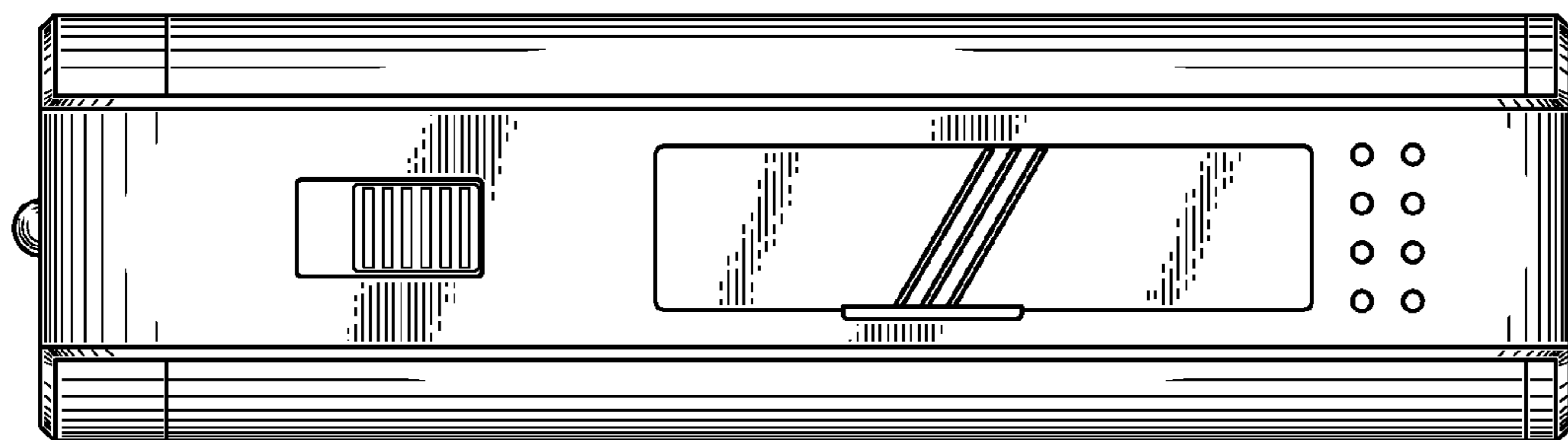


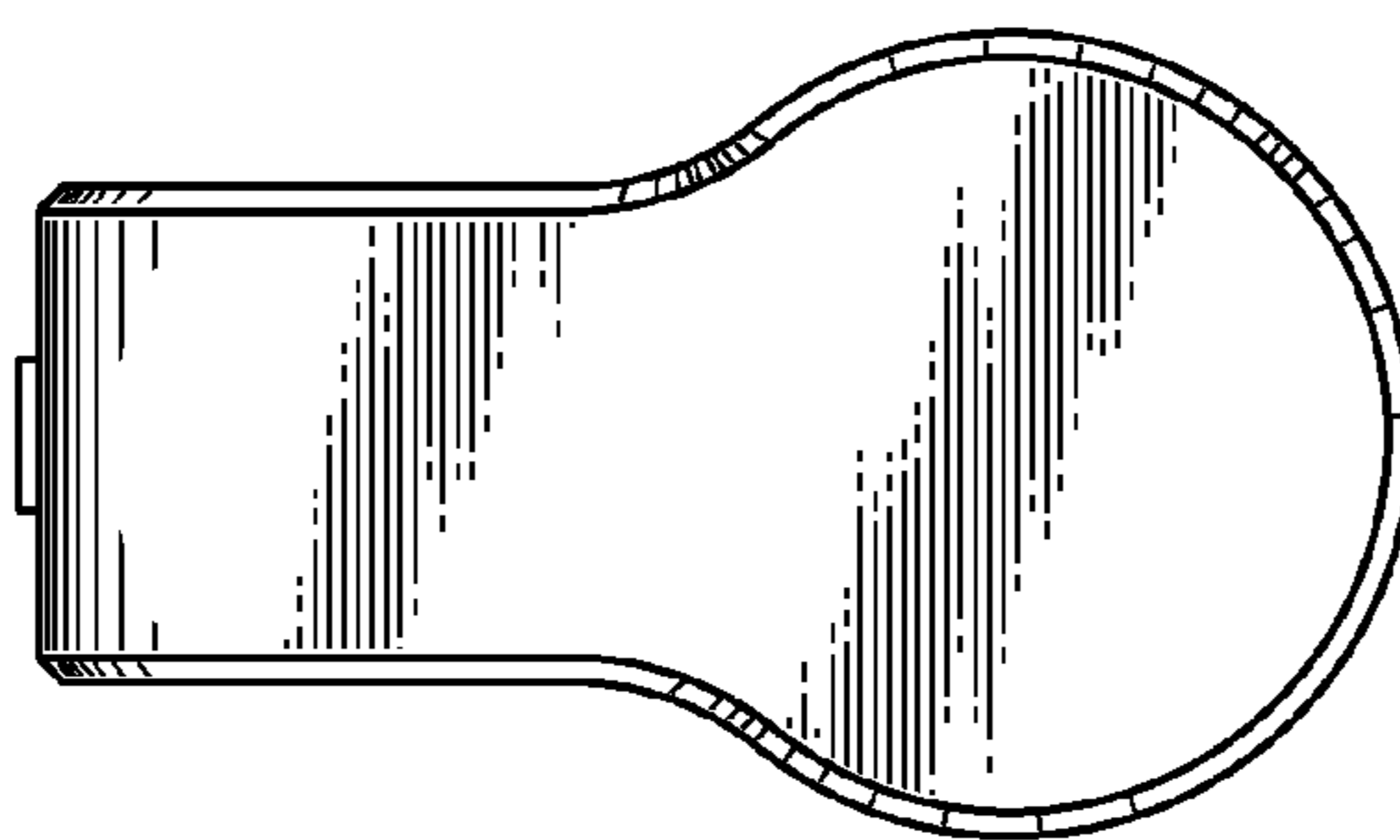
FIG. 4



**FIG. 5**



**FIG. 6**



**FIG. 7**