



US00D601733S

(12) **United States Design Patent**  
**Nagano**

(10) **Patent No.:** **US D601,733 S**

(45) **Date of Patent:** **\*\* Oct. 6, 2009**

(54) **HEADLAMP FOR A BICYCLE**

(75) Inventor: **Toshiyuki Nagano**, Osaka (JP)

(73) Assignee: **Cateye Co., Ltd.**, Osaka (JP)

(\*\*) Term: **14 Years**

(21) Appl. No.: **29/315,024**

(22) Filed: **May 19, 2009**

(30) **Foreign Application Priority Data**

Dec. 22, 2008 (JP) ..... 2008-032528

(51) **LOC (9) Cl.** ..... **26-02**

(52) **U.S. Cl.** ..... **D26/37**

(58) **Field of Classification Search** ..... D26/37-50;  
362/157-158, 171, 174, 183-208, 459-468,  
362/475-478, 485-487

See application file for complete search history.

(56) **References Cited**

**U.S. PATENT DOCUMENTS**

D550,386 S \* 9/2007 Lee ..... D26/37

D560,834 S \* 1/2008 Nagano ..... D26/28

D569,023 S \* 5/2008 Lee ..... D26/60

D569,798 S \* 5/2008 Lee ..... D13/123

\* cited by examiner

*Primary Examiner*—Marcus A Jackson

(74) *Attorney, Agent, or Firm*—Olson & Cerpuritis, Ltd.

(57) **CLAIM**

The ornamental design for a headlamp for a bicycle, as shown.

**DESCRIPTION**

FIG. 1 is a perspective view of a headlamp for a bicycle showing my new design;

FIG. 2 is a front view thereof;

FIG. 3 is a rear view thereof;

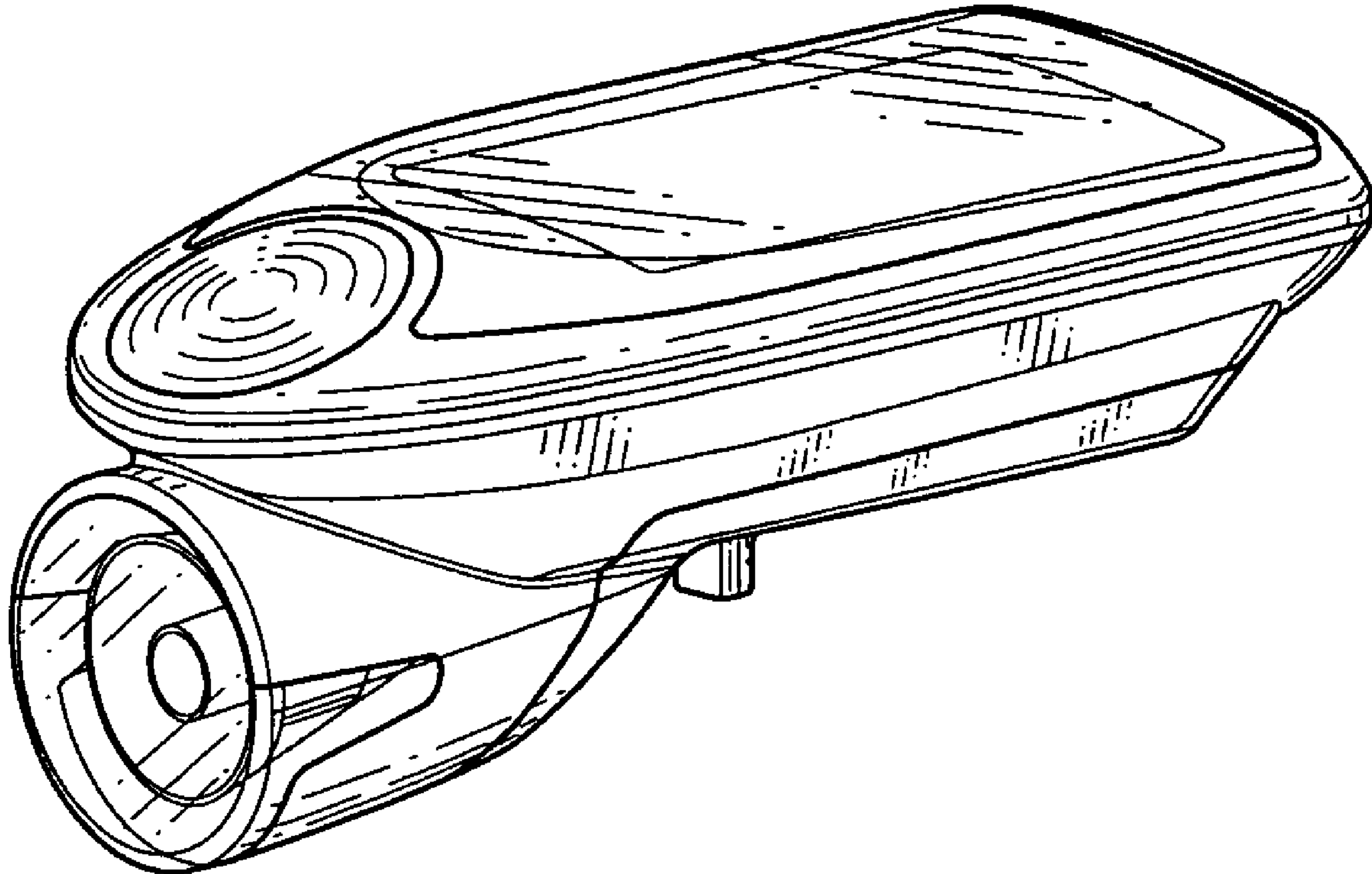
FIG. 4 is a top plan view thereof;

FIG. 5 is a bottom plan view thereof;

FIG. 6 is a right side view thereof; and,

FIG. 7 is a left side view thereof.

**1 Claim, 4 Drawing Sheets**



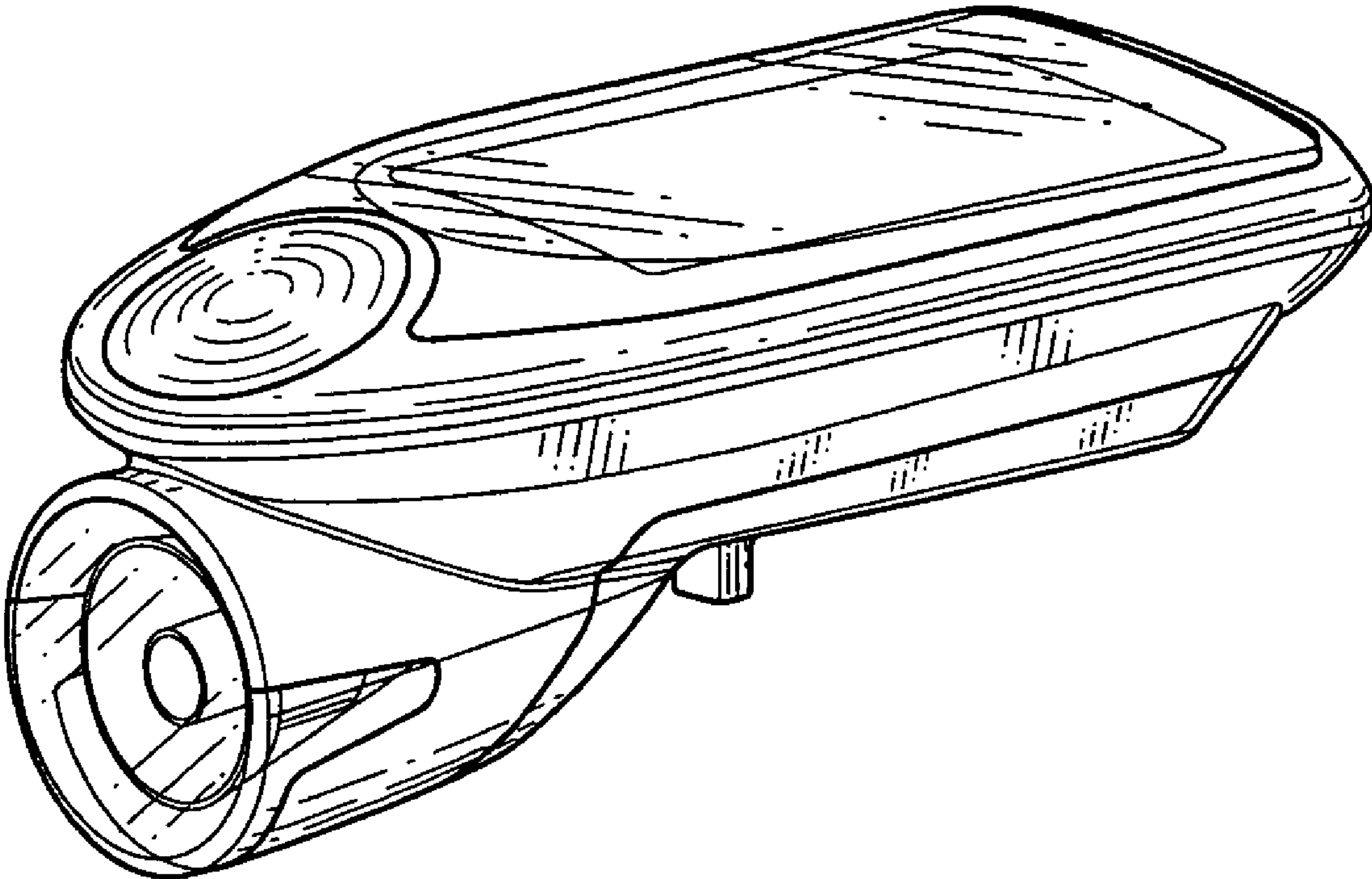


Fig. 1

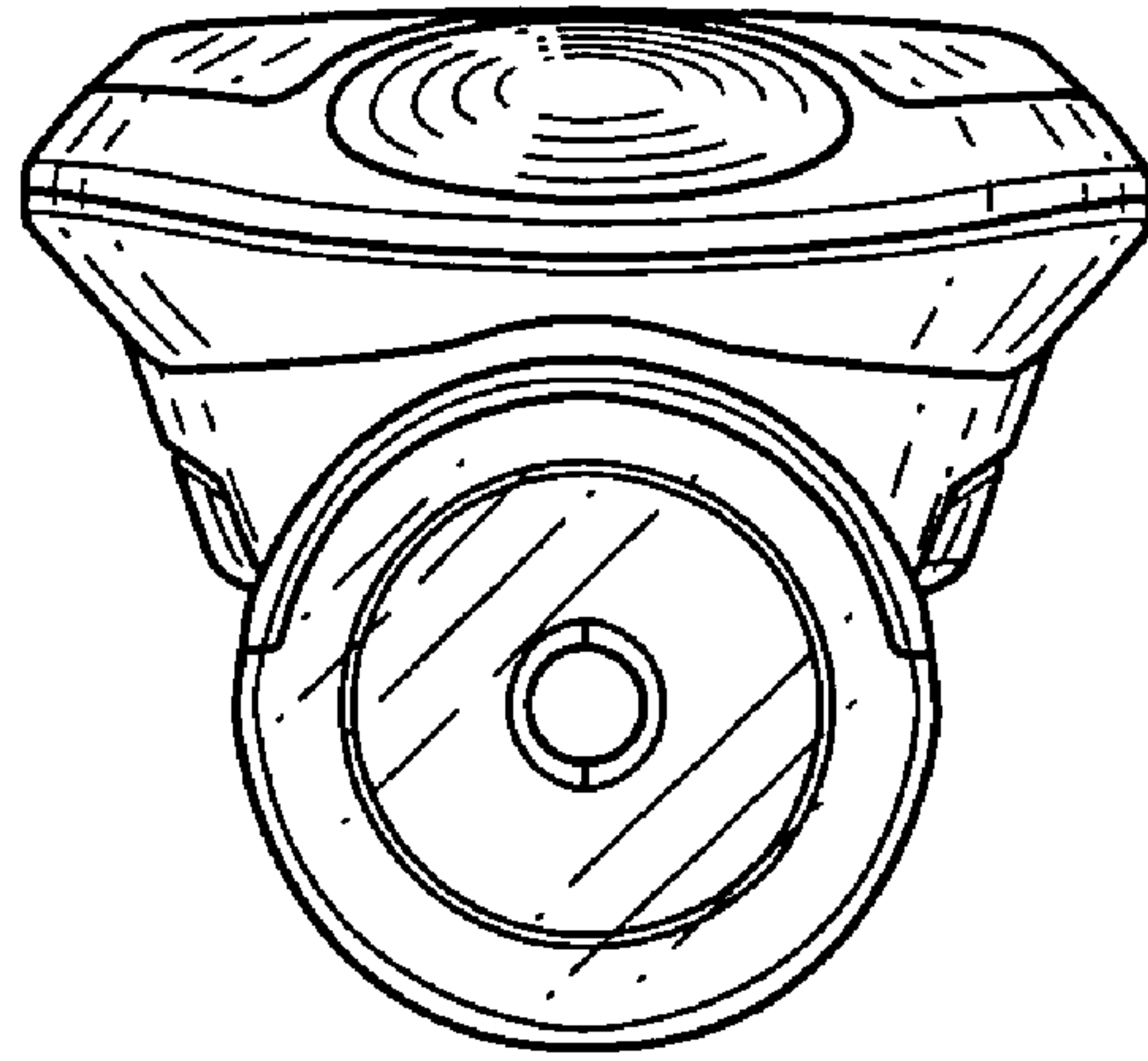


Fig. 2

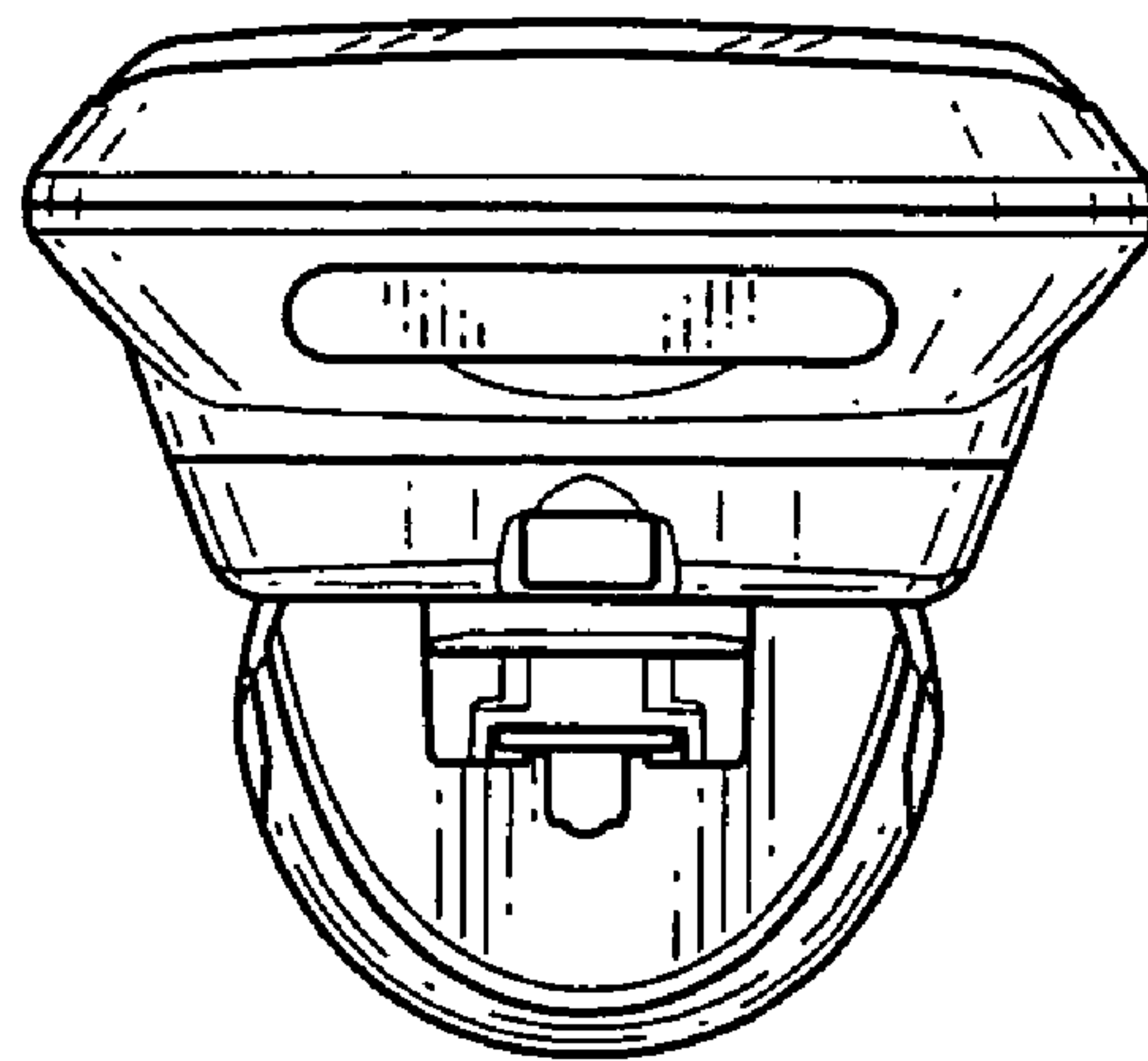


Fig. 3

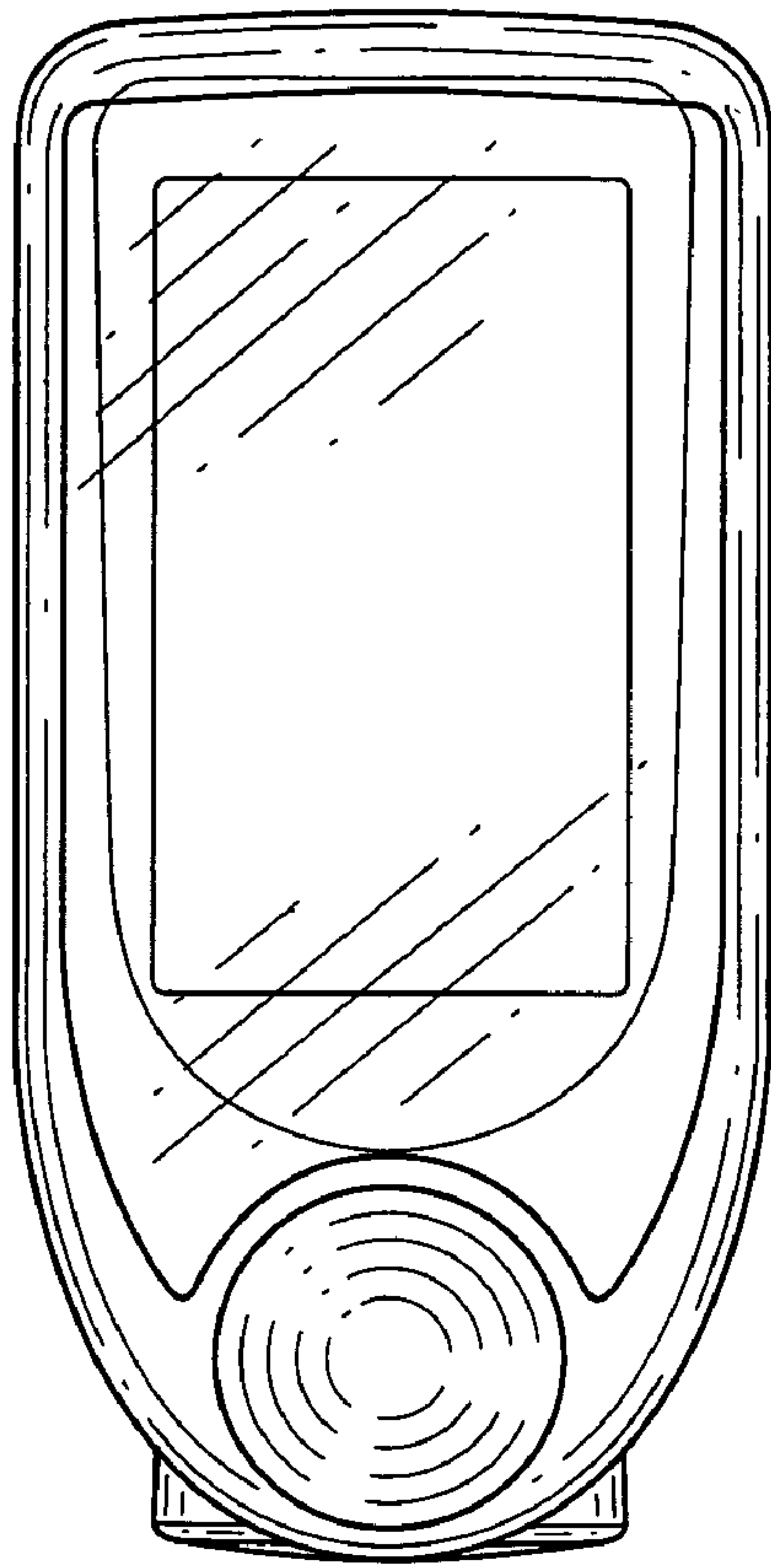


Fig. 4

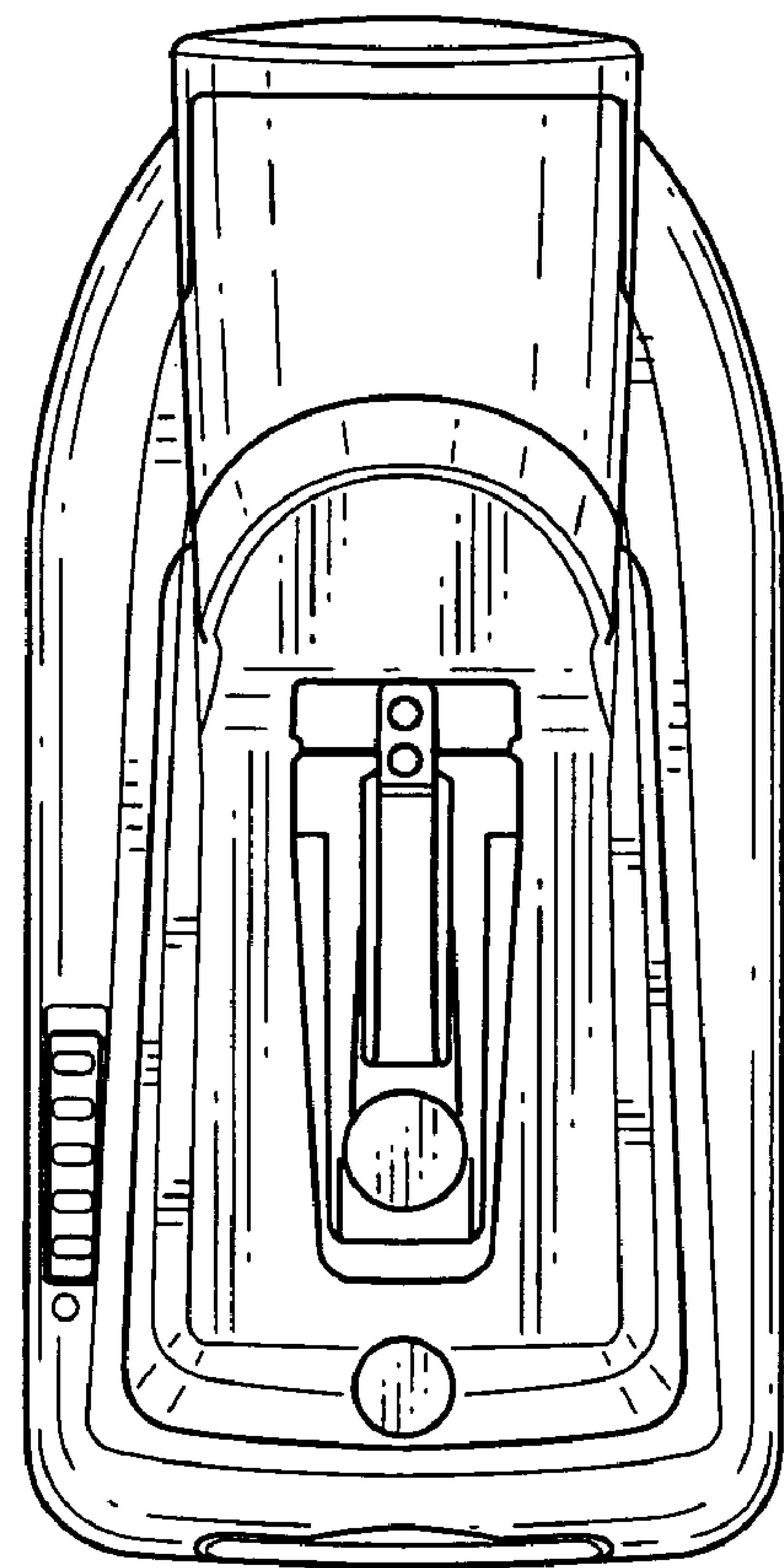


Fig. 5

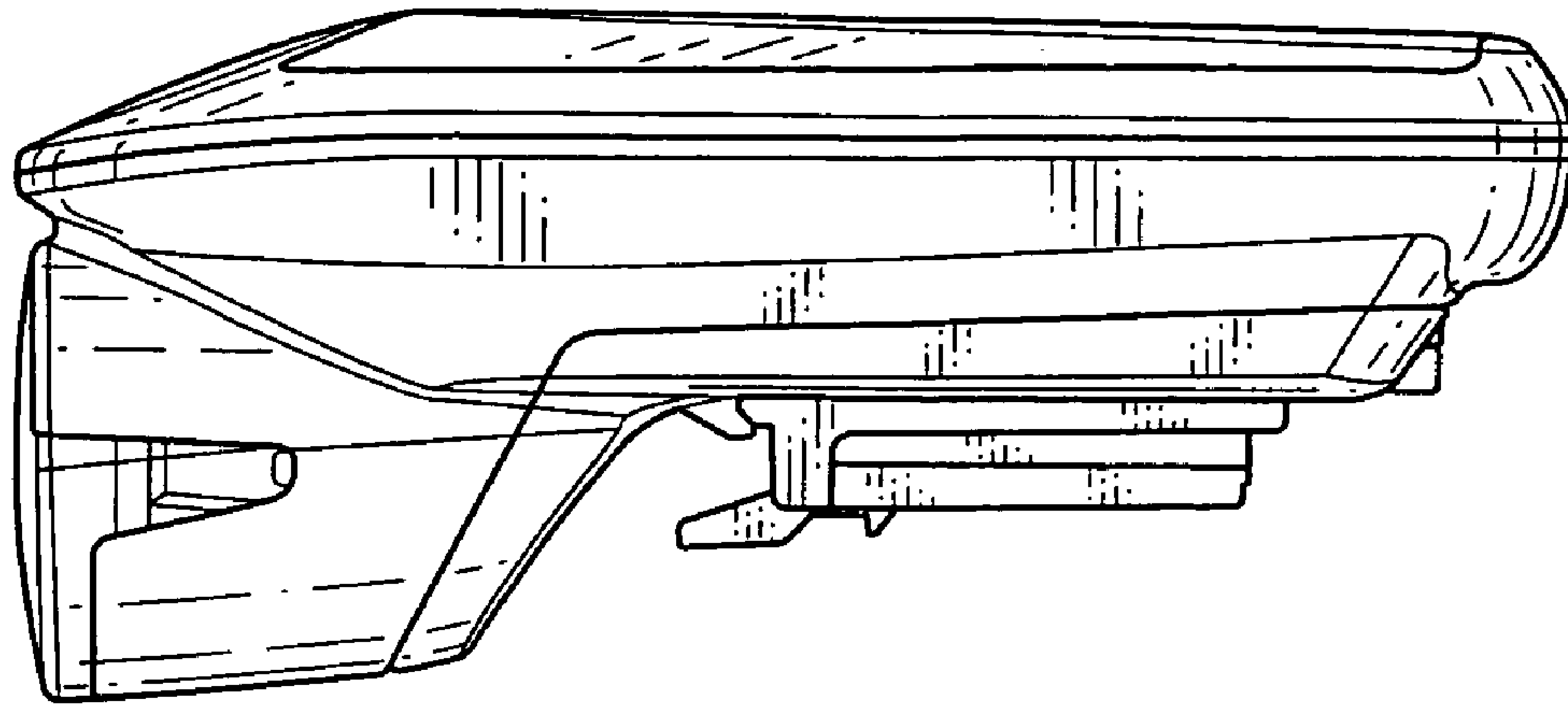


Fig. 6

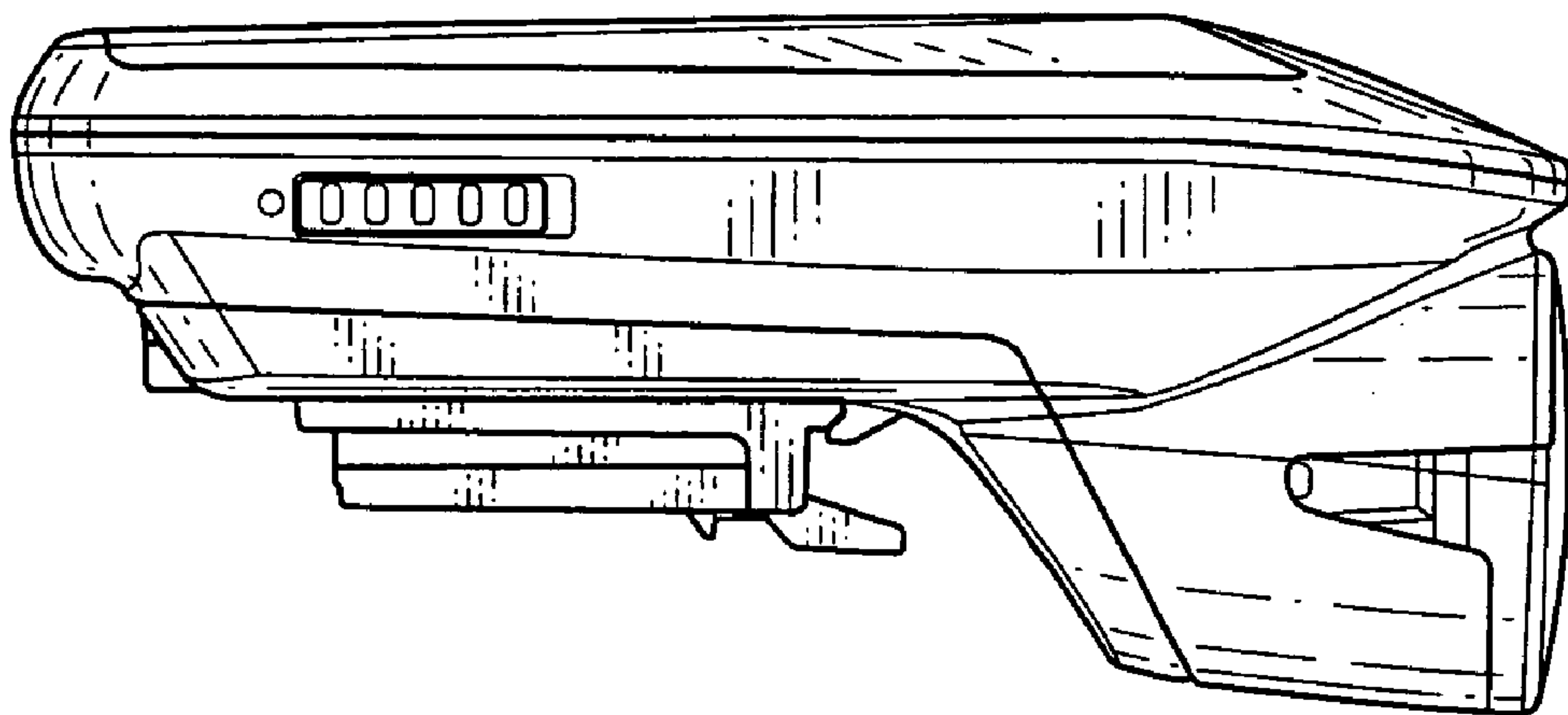


Fig. 7