



US00D601731S

(12) **United States Design Patent**
Shibuta

(10) **Patent No.:** **US D601,731 S**

(45) **Date of Patent:** **** Oct. 6, 2009**

(54) **TAIL LIGHT FOR MOTORCYCLES**

D569,016 S * 5/2008 Tsukui et al. D26/28

(75) Inventor: **Yu Shibuta**, Kobe (JP)

* cited by examiner

(73) Assignee: **Kawasaki Jukogyo Kabushiki Kaisha**,
Hyogo (JP)

Primary Examiner—Marcus A. Jackson

(**) Term: **14 Years**

(57) **CLAIM**

(21) Appl. No.: **29/333,866**

The ornamental design for a tail light for motorcycles, as shown and described.

(22) Filed: **Mar. 16, 2009**

DESCRIPTION

(30) **Foreign Application Priority Data**

Sep. 18, 2008 (JP) 2008-023843

FIG. 1 is a front elevational view of a tail light for motorcycles showing my new design;

(51) **LOC (9) Cl.** **26-06**

FIG. 2 is a rear elevational view thereof;

(52) **U.S. Cl.** **D26/28**

FIG. 3 is a left side elevational view thereof;

(58) **Field of Classification Search** D26/28-36;
362/459-468, 475-478, 485-487
See application file for complete search history.

FIG. 4 is a right side elevational view thereof;

FIG. 5 is a top plan view thereof; and,

FIG. 6 is a bottom plan view thereof.

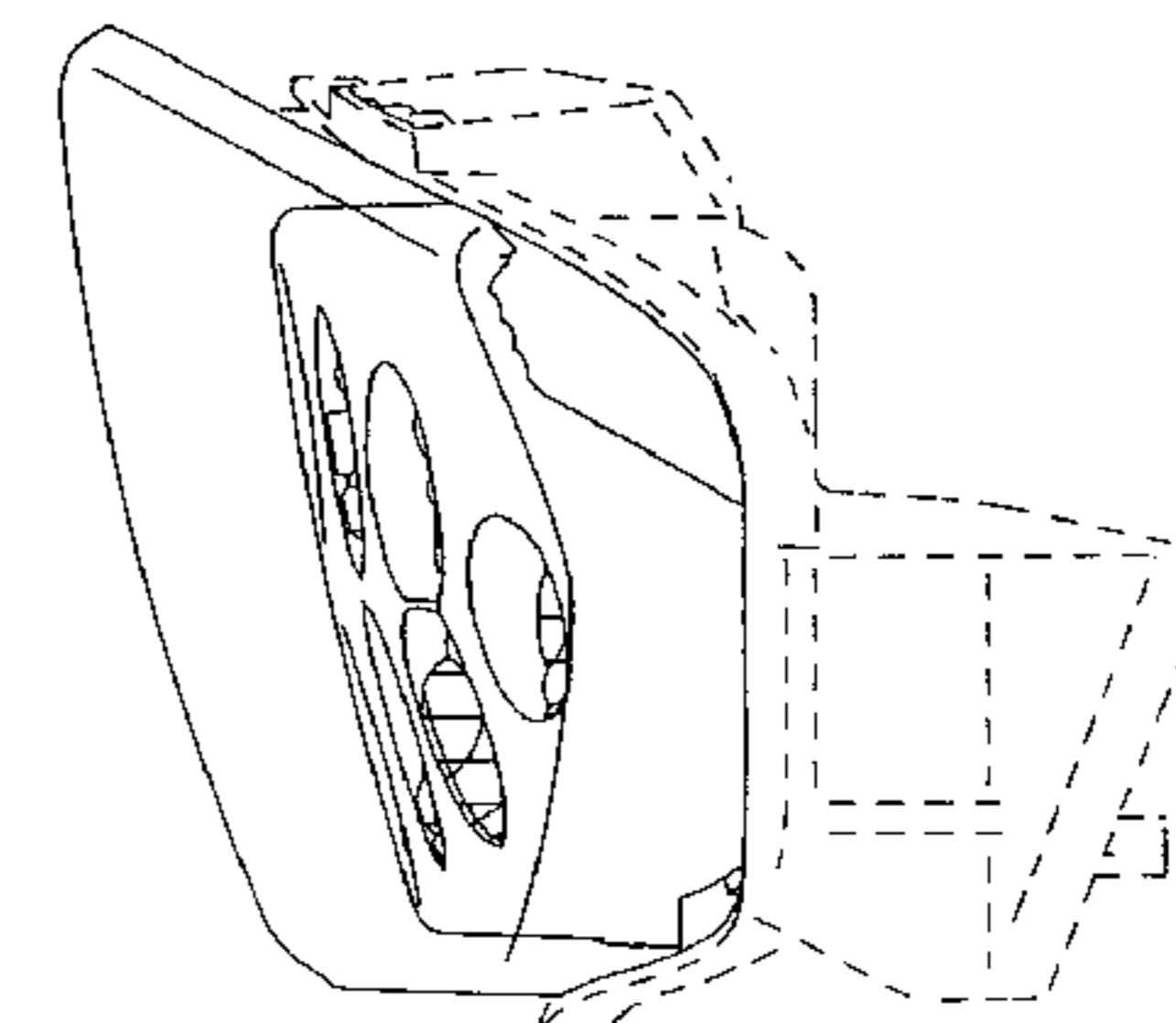
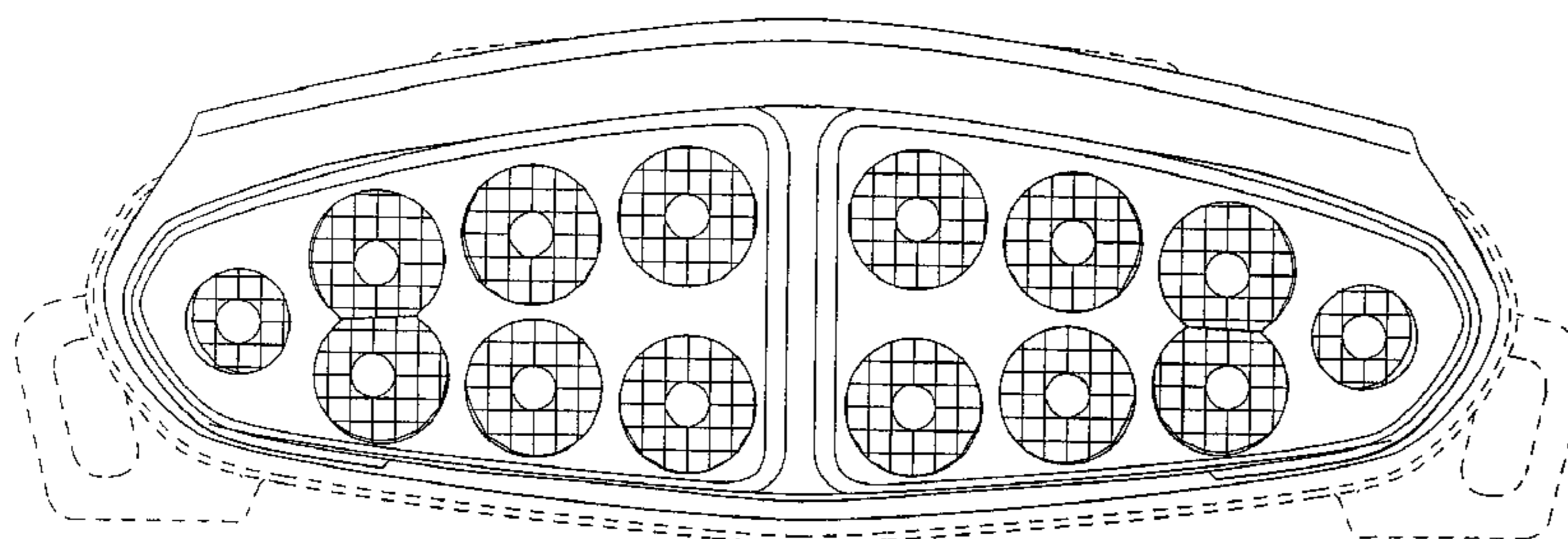
The broken lines showing of parts of the drawings form no part of the claimed design.

(56) **References Cited**

U.S. PATENT DOCUMENTS

D483,505 S * 12/2003 Schwerdtmann D26/31

1 Claim, 5 Drawing Sheets



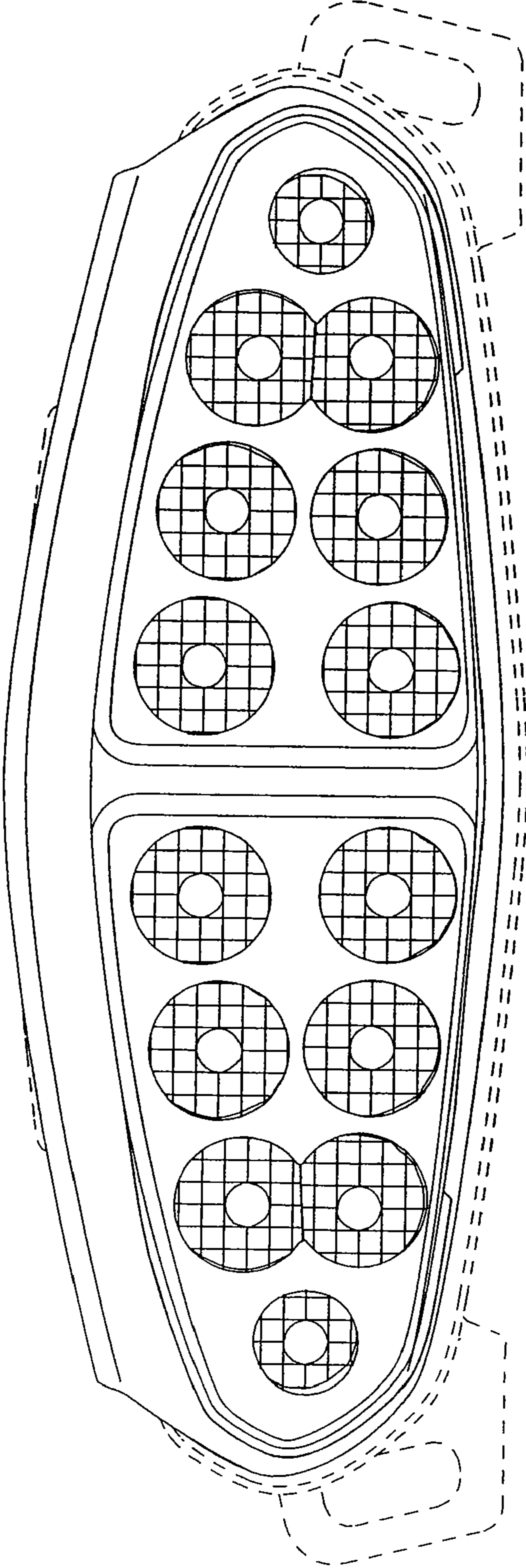


Fig.1

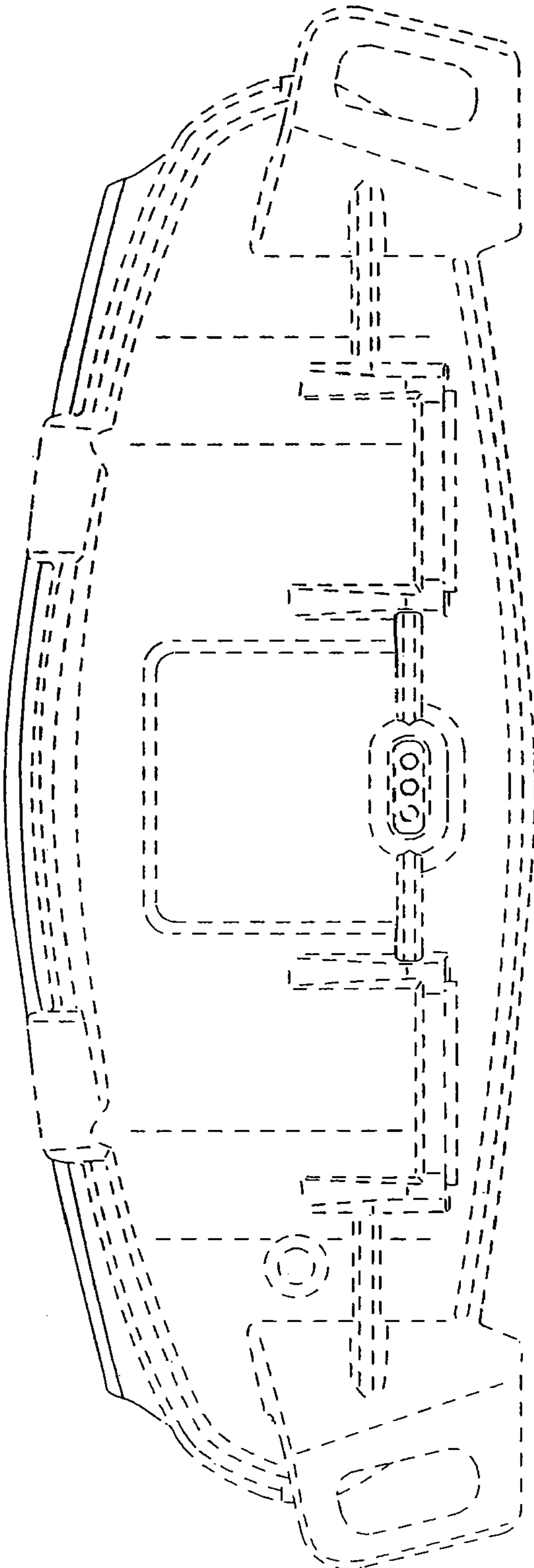


Fig.2

Fig.3

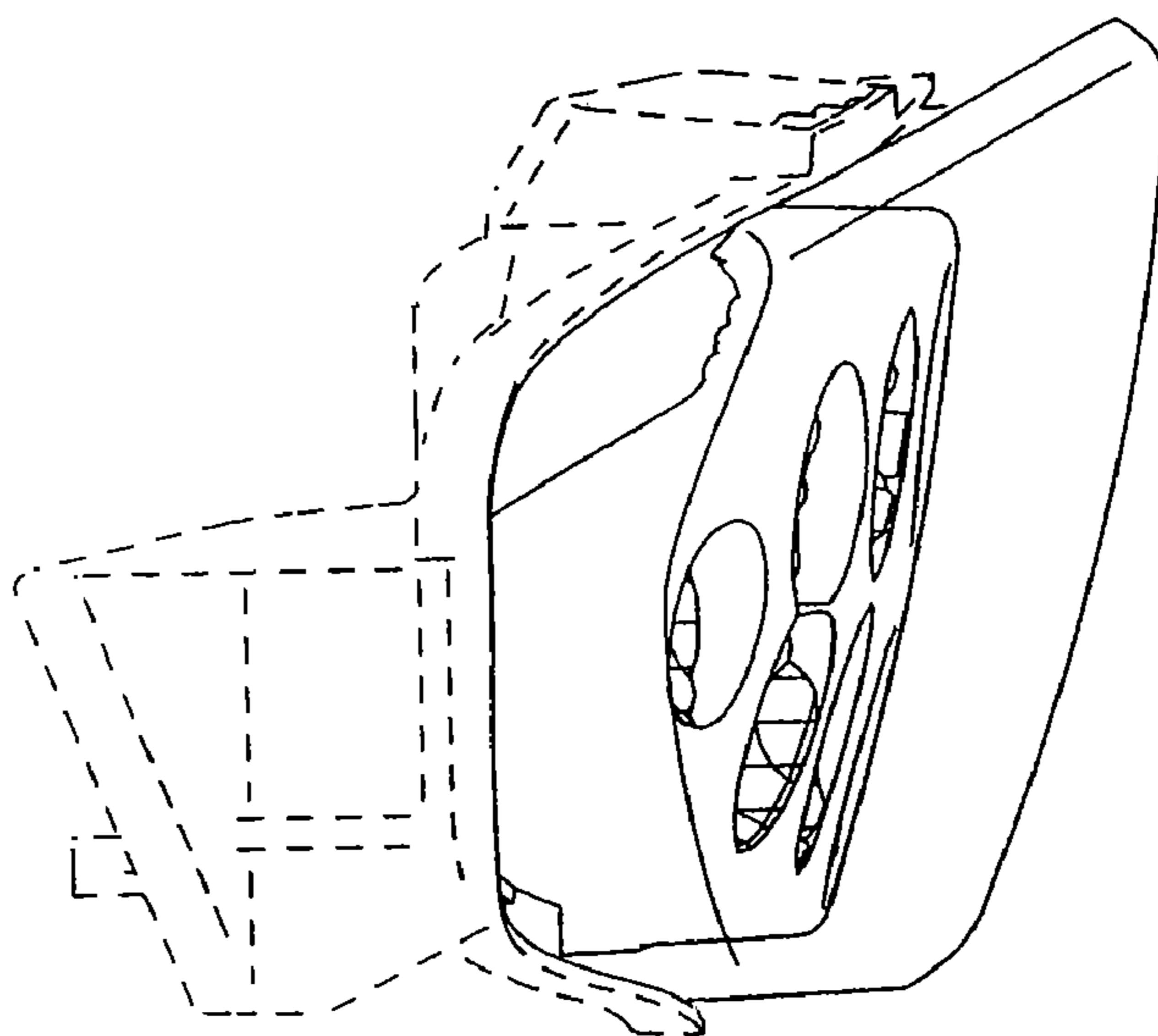


Fig.4

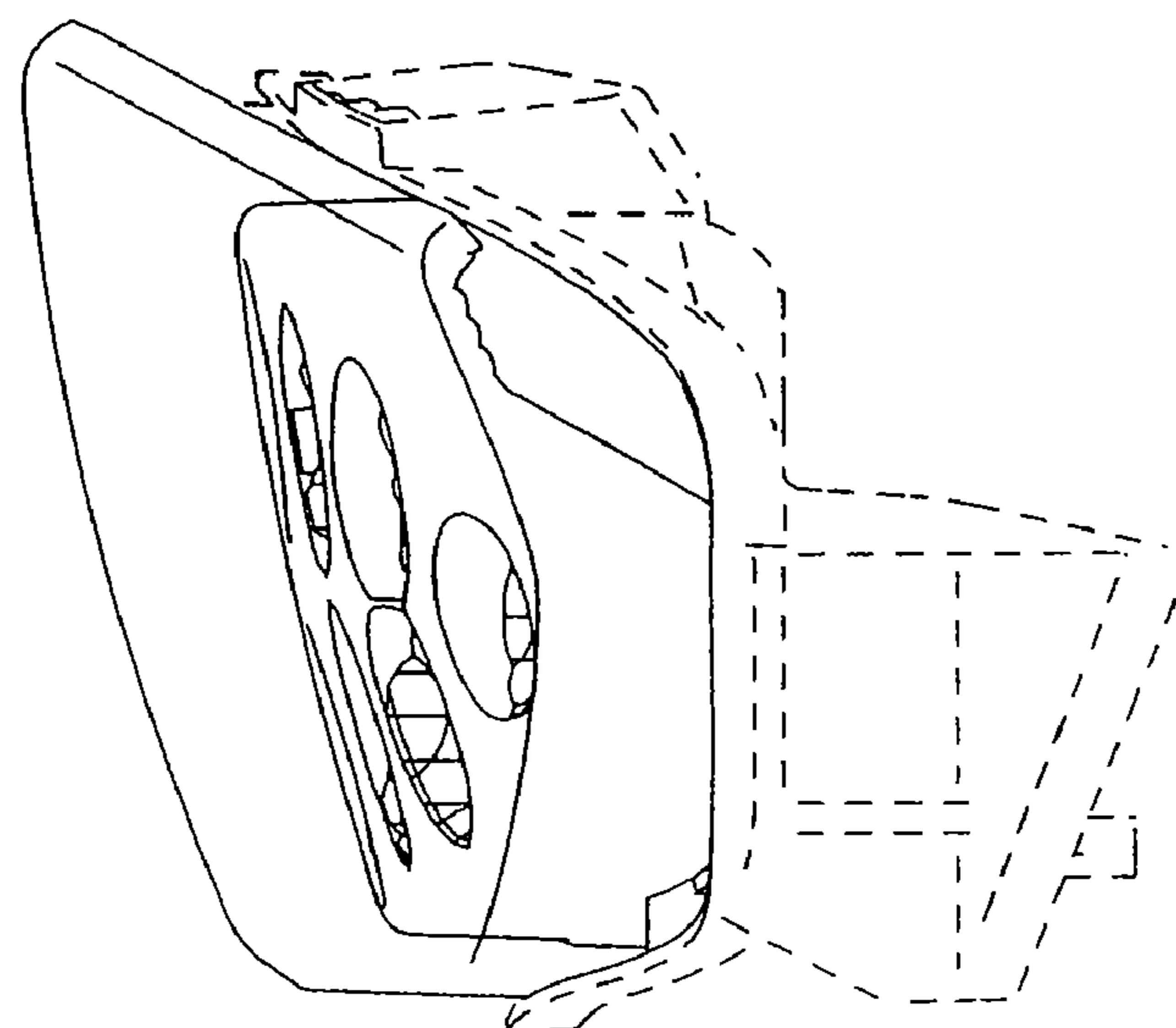
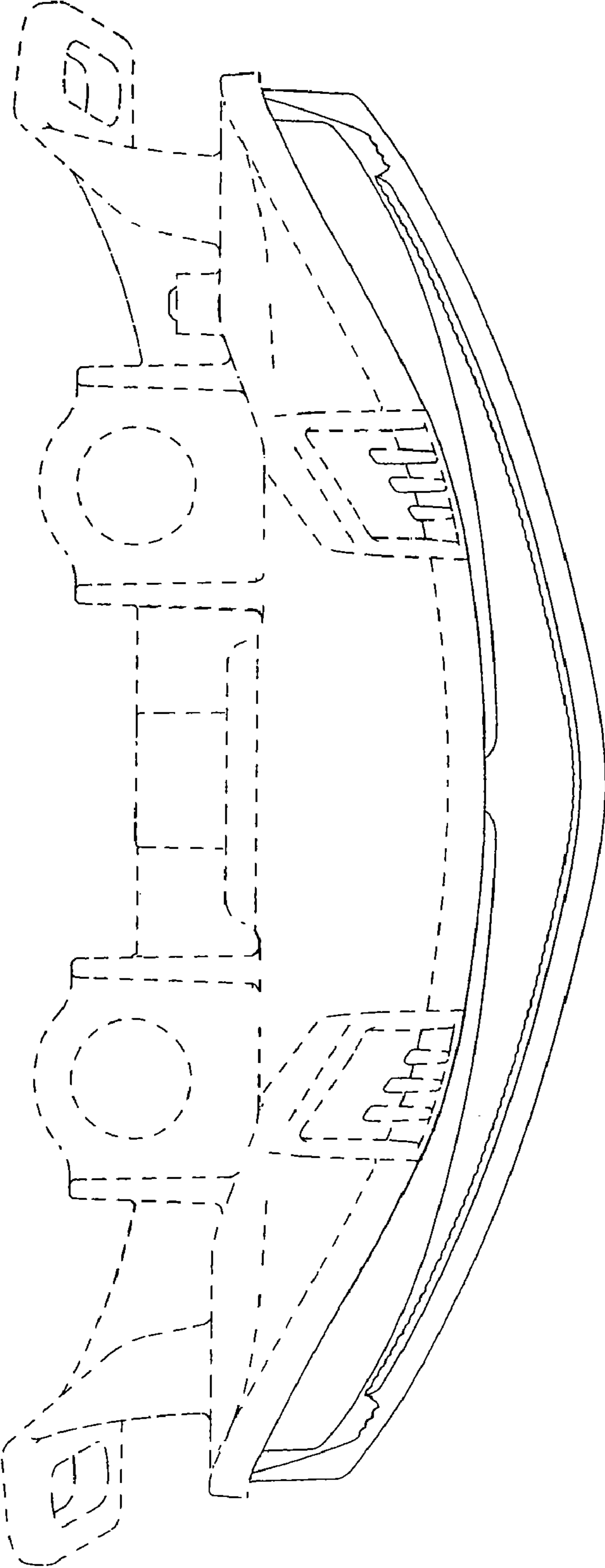


Fig. 5



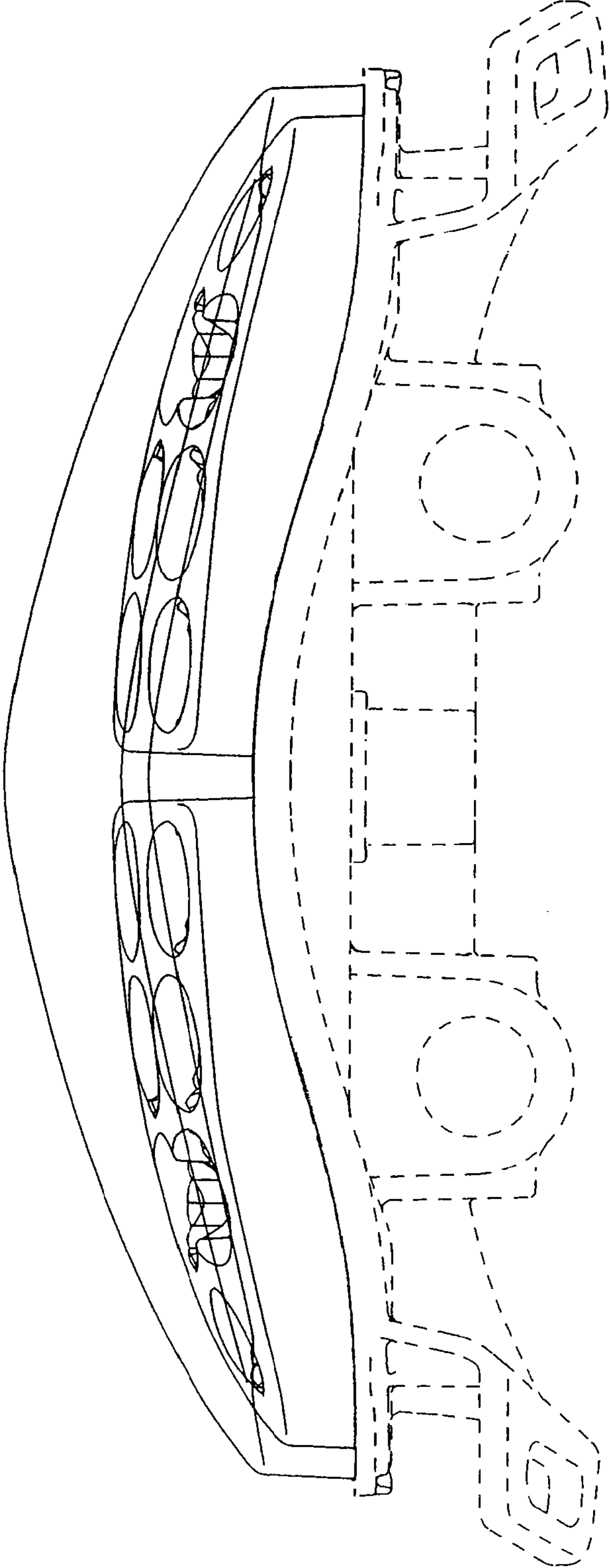


Fig.6