



US00D601730S

(12) **United States Design Patent**  
**Richards et al.**

(10) **Patent No.:** **US D601,730 S**

(45) **Date of Patent:** **\*\* Oct. 6, 2009**

(54) **VEHICLE TAILLIGHT**

(74) *Attorney, Agent, or Firm*—Damian Porcari

(75) Inventors: **Bradley Alan Richards**, Bloomfield Hills, MI (US); **Steven Gilmore**, Redford, MI (US); **Patrick J. Schiavone**, Bloomfield, MI (US)

(57) **CLAIM**

The ornamental design for a vehicle taillight, as shown and described.

(73) Assignee: **Ford Motor Company**, Dearborn, MI (US)

**DESCRIPTION**

(\*\*) Term: **14 Years**

FIG. 1 is a rear elevational view of a left vehicle taillight (the right vehicle taillight being a mirror of the left and is not illustrated), the lens having been rendered transparent using the computer aided design tools to illustrate the internal surfaces;

(21) Appl. No.: **29/333,638**

FIG. 2 is a rear elevational view of the vehicle taillight, the lens having been rendered opaque using the computer aided design tools to illustrate the external surfaces;

(22) Filed: **Mar. 12, 2009**

(51) **LOC (9) Cl.** ..... **26-06**

FIG. 3 is a left elevational view of the vehicle taillight, the lens having been rendered transparent using the Computer Aided Design tools to illustrate the internal surfaces;

(52) **U.S. Cl.** ..... **D26/28**

(58) **Field of Classification Search** ..... D26/28-36;  
362/459-468, 475-478, 485-487  
See application file for complete search history.

FIG. 4 is a left elevational view of the vehicle taillight, the lens having been rendered opaque using the Computer Aided Design tools to illustrate the external surfaces.

(56) **References Cited**

**U.S. PATENT DOCUMENTS**

D570,015 S \* 5/2008 Hsu ..... D26/28  
D574,524 S \* 8/2008 Tomatsu ..... D26/28

FIG. 5 is a right elevational view of the vehicle taillight;

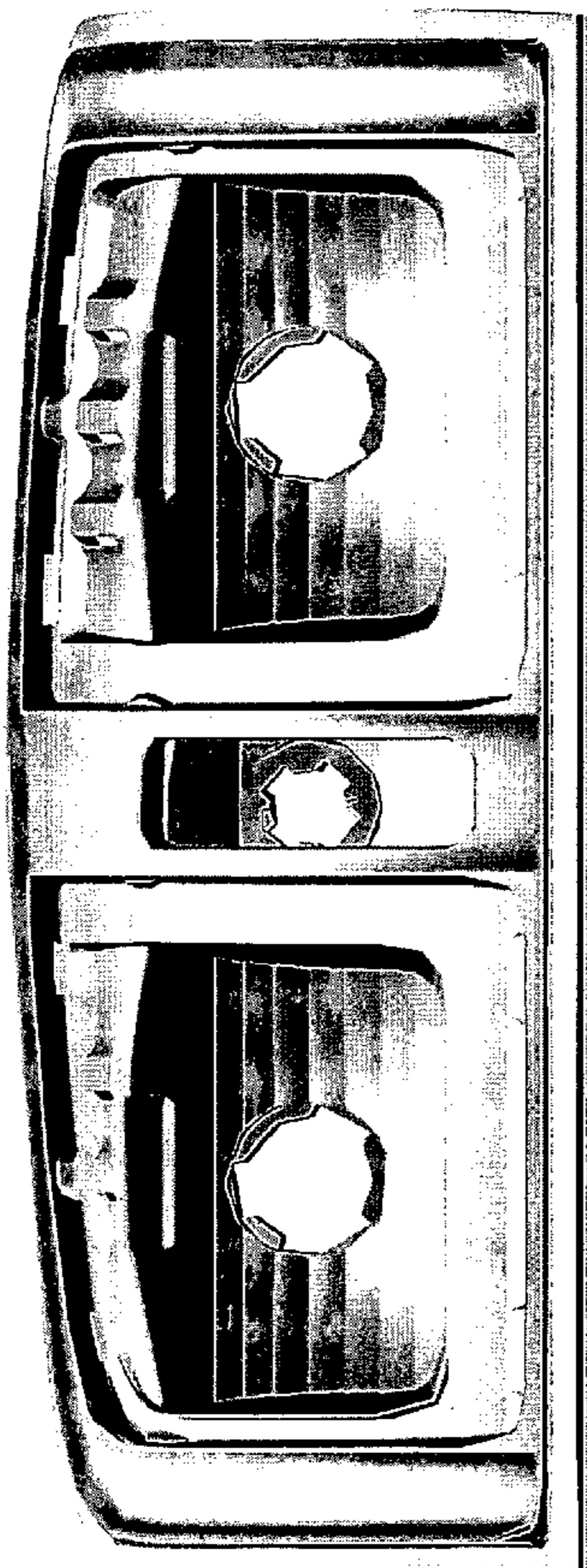
FIG. 6 is a top plan view of the vehicle taillight; and,

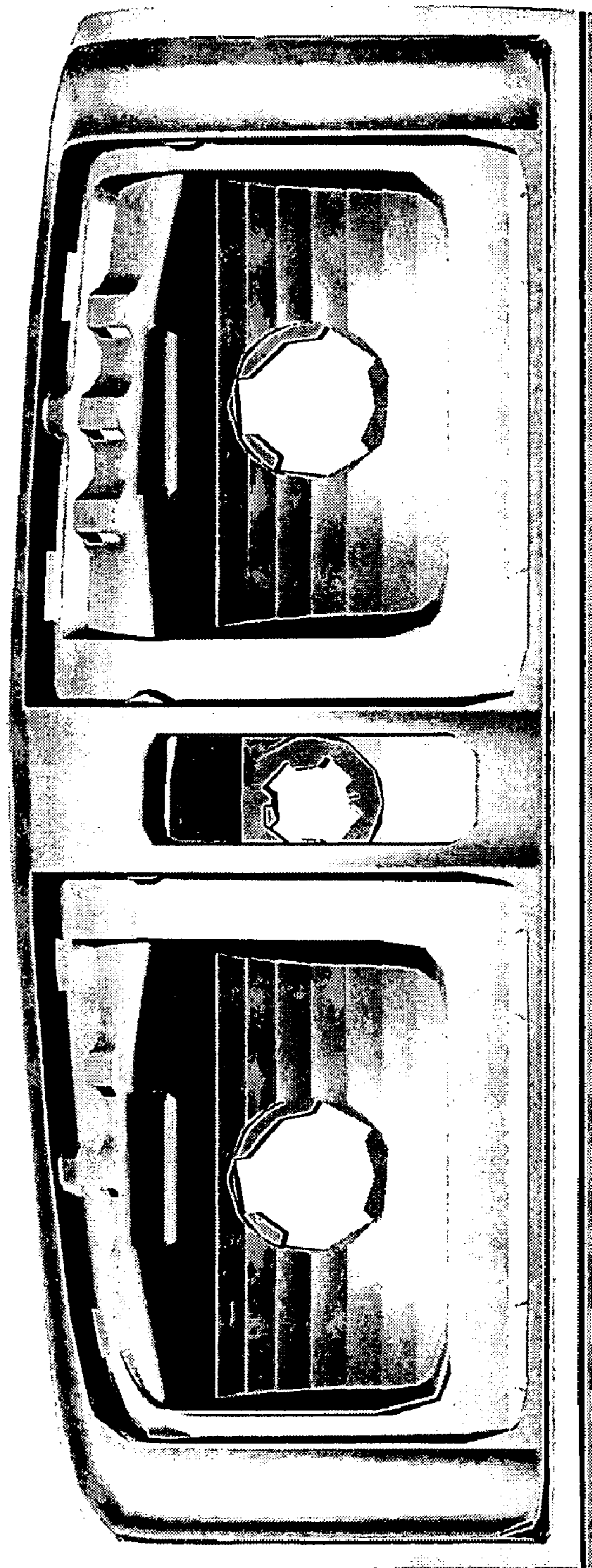
FIG. 7 is a bottom plan view of the vehicle taillight.

\* cited by examiner

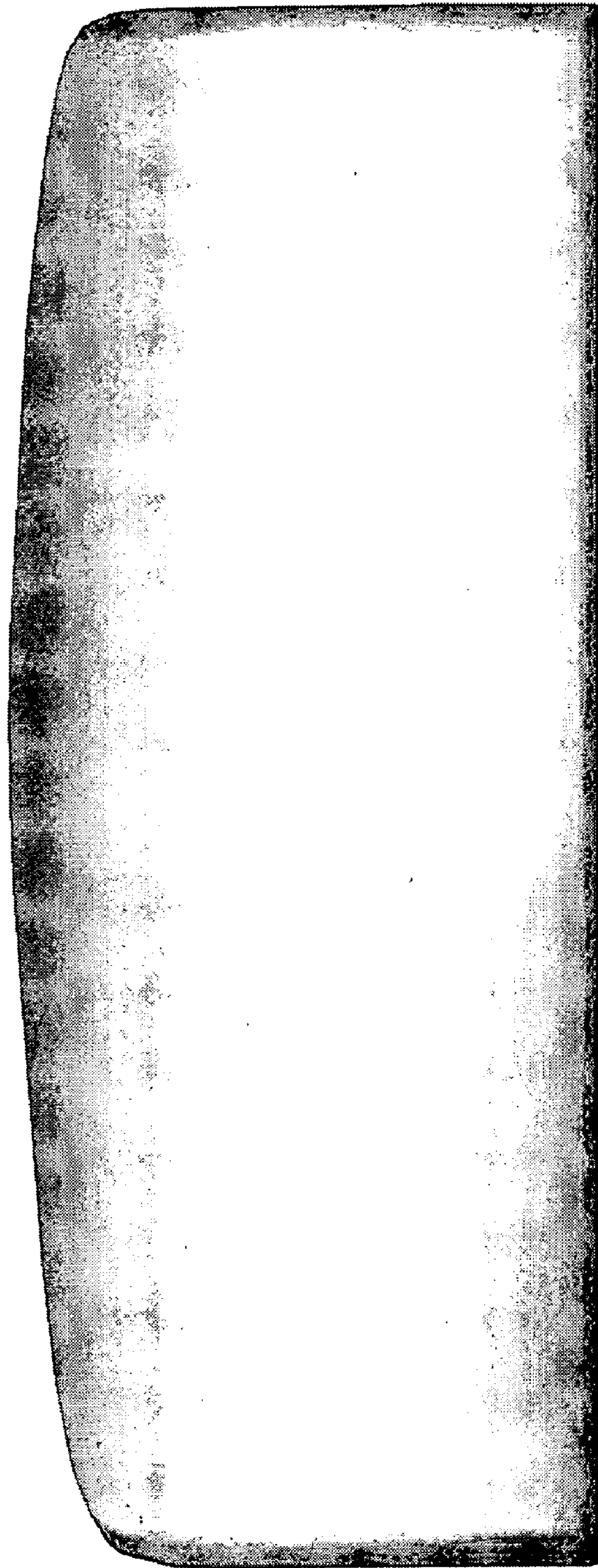
*Primary Examiner*—Marcus A. Jackson

**1 Claim, 7 Drawing Sheets**





*Figure 1*



*Figure 2*

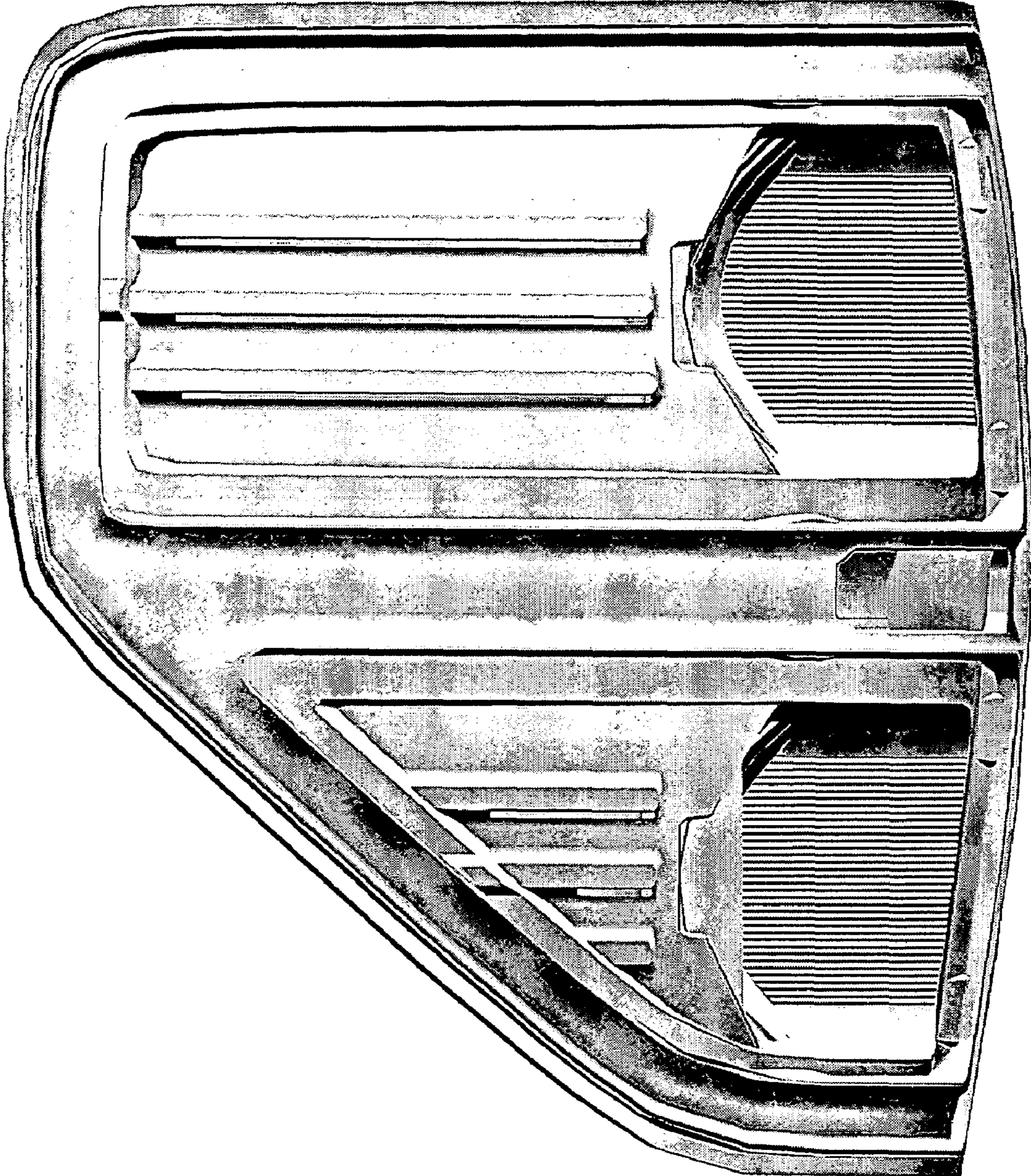
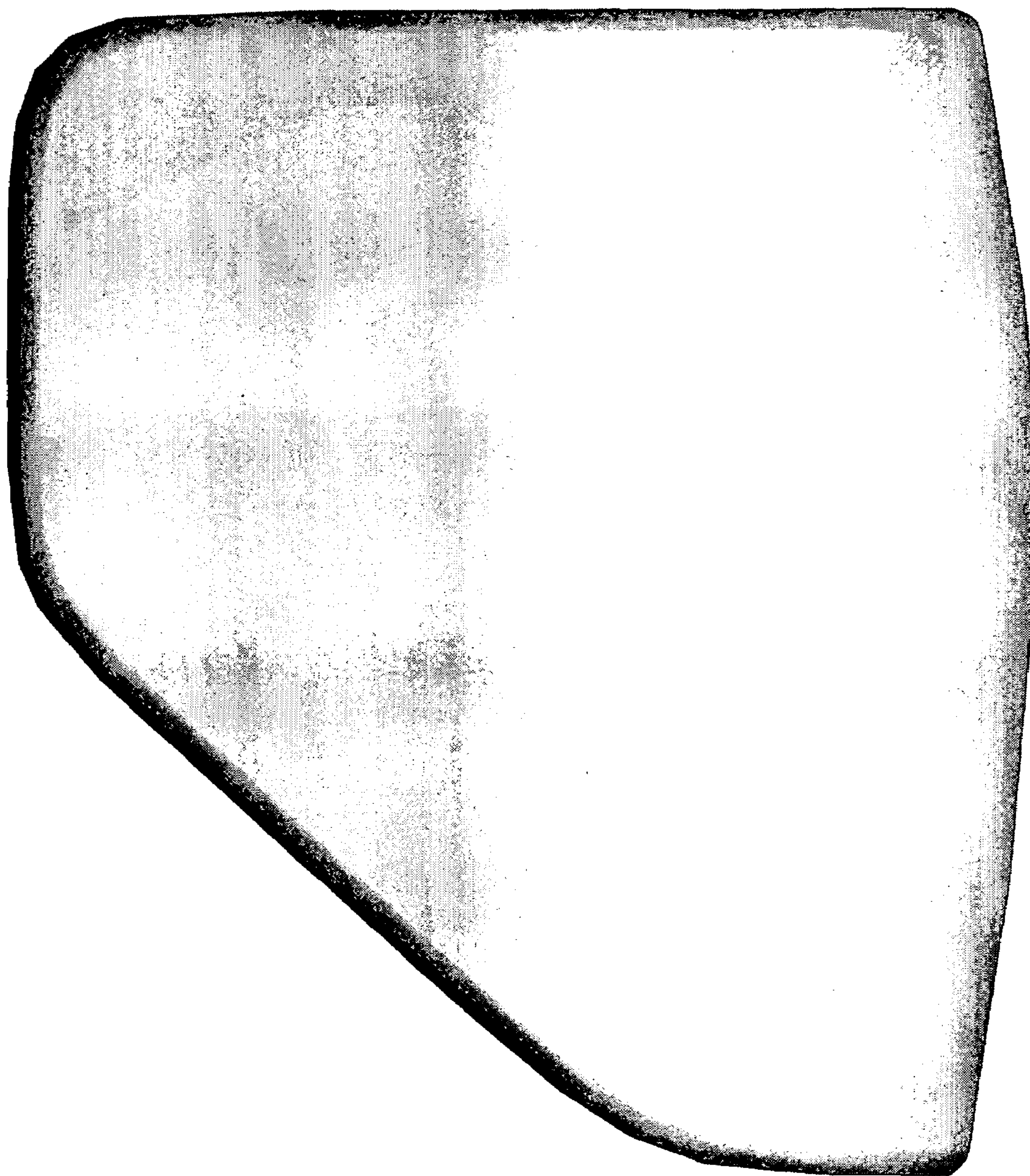
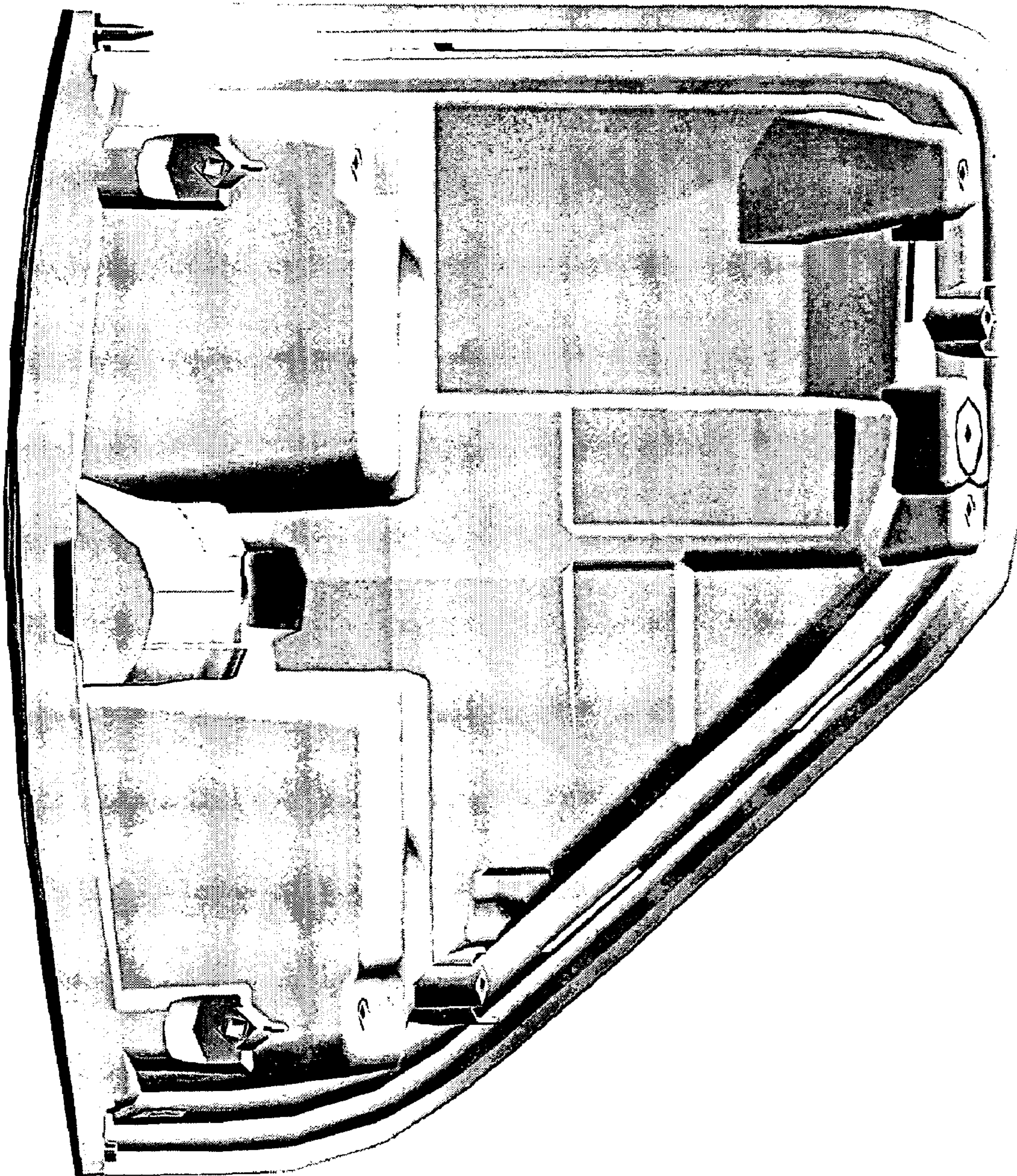


Figure 3



*Figure 4*



*Figure 5*

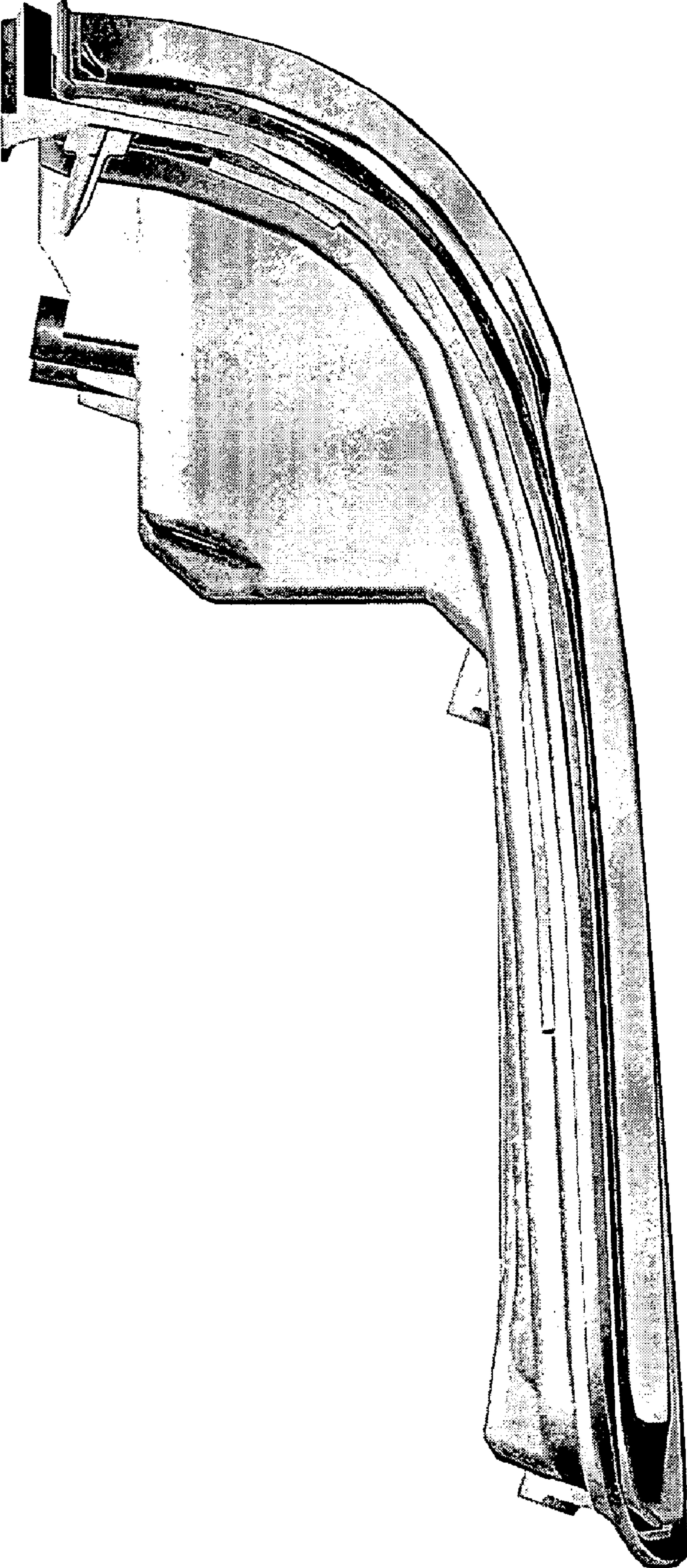


Figure 6

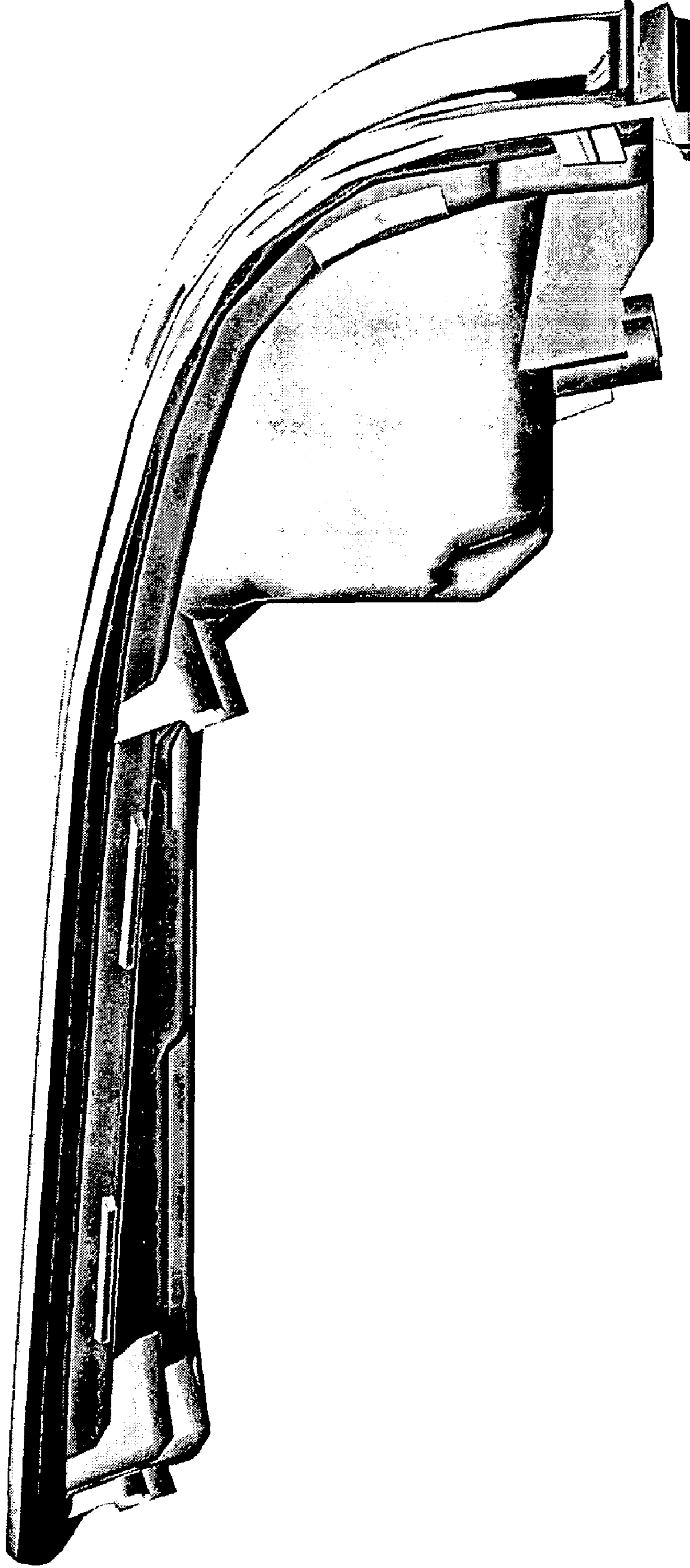


Figure 7