



US00D601725S

(12) **United States Design Patent**
Foo

(10) **Patent No.:** **US D601,725 S**

(45) **Date of Patent:** **** Oct. 6, 2009**

(54) **FLUORESCENT LAMP**

(75) Inventor: **Onn Fah Foo**, Kowloon (HK)

(73) Assignee: **Mass Technology (H.K.) Ltd.**, Kowloon (HK)

(**) Term: **14 Years**

(21) Appl. No.: **29/304,657**

(22) Filed: **Mar. 5, 2008**

(30) **Foreign Application Priority Data**

Sep. 14, 2007 (HK) 0702294

(51) **LOC (9) Cl.** **26-04**

(52) **U.S. Cl.** **D26/3**

(58) **Field of Classification Search** D26/1-4;
313/313, 315, 317, 318, 493; 315/52, 53,
315/56, 57, 58

See application file for complete search history.

(56) **References Cited**

U.S. PATENT DOCUMENTS

D429,348 S * 8/2000 Holzer D26/3

D464,154 S * 10/2002 Xu D26/3
D471,653 S * 3/2003 Lin et al. D26/3
D498,311 S * 11/2004 Leung et al. D26/3
D513,080 S * 12/2005 Foo D26/3

* cited by examiner

Primary Examiner—Marcus A. Jackson

(74) *Attorney, Agent, or Firm*—Rabin & Berdo, P.C.

(57) **CLAIM**

The ornamental design for a fluorescent lamp, as shown and described.

DESCRIPTION

FIG. 1 is a perspective view of a fluorescent lamp showing my new design;

FIG. 2 is a front view thereof;

FIG. 3 is a rear view thereof;

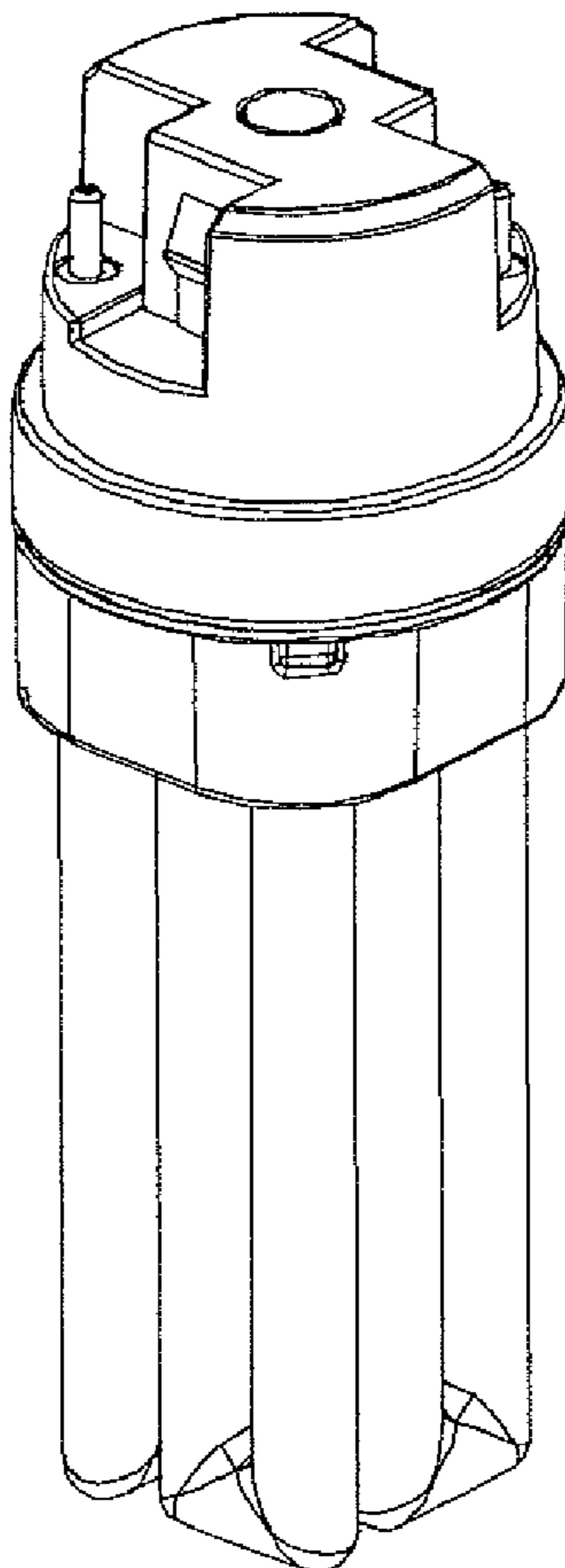
FIG. 4 is a right side view thereof;

FIG. 5 is a left side thereof;

FIG. 6 is a bottom view thereof; and;

FIG. 7 is a top view thereof.

1 Claim, 6 Drawing Sheets



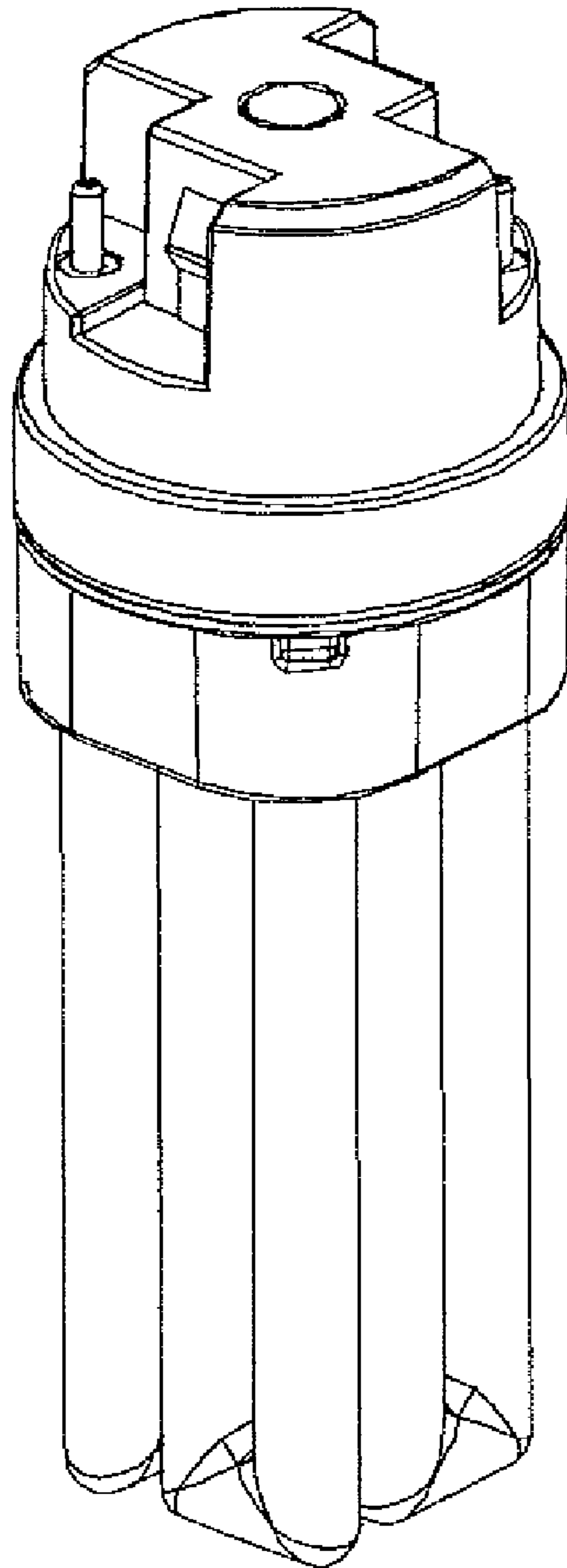


Fig. 1

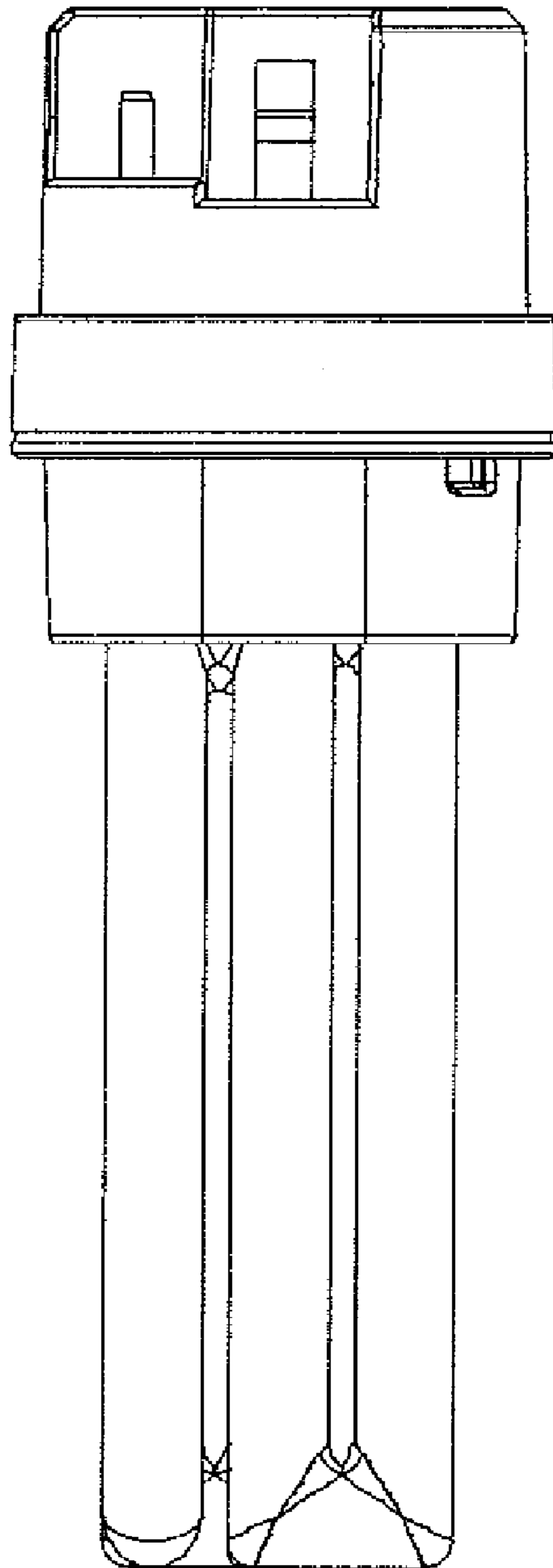


Fig. 2

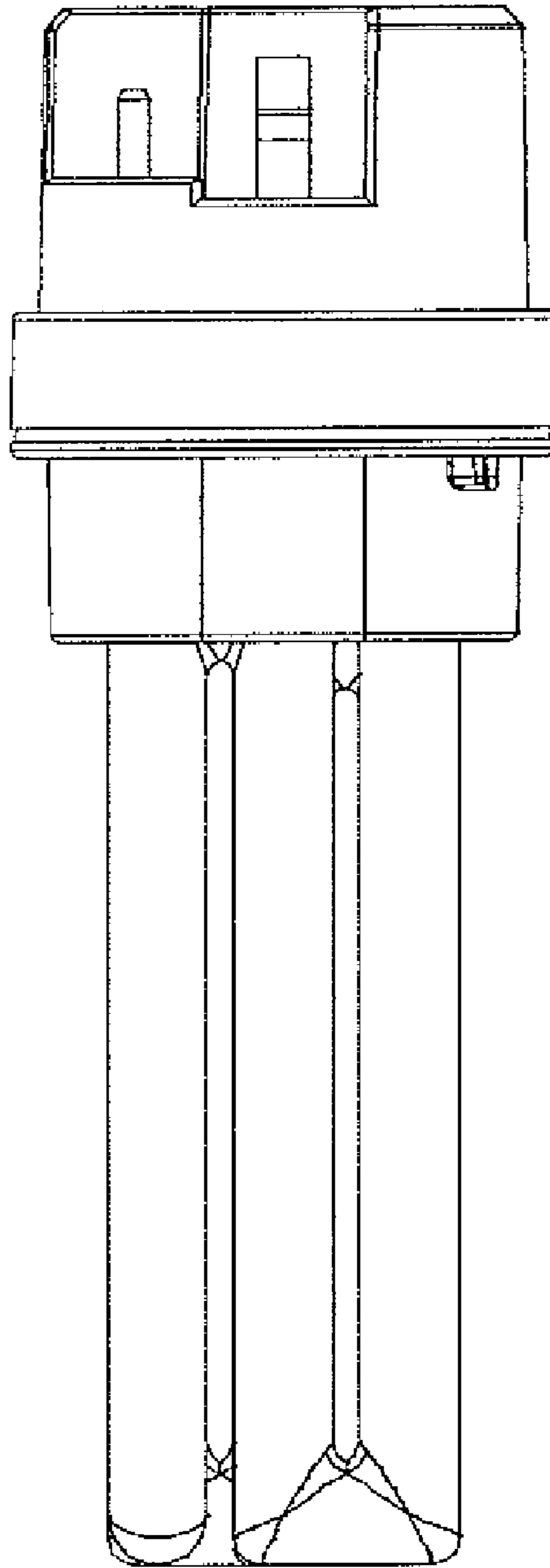


Fig. 3

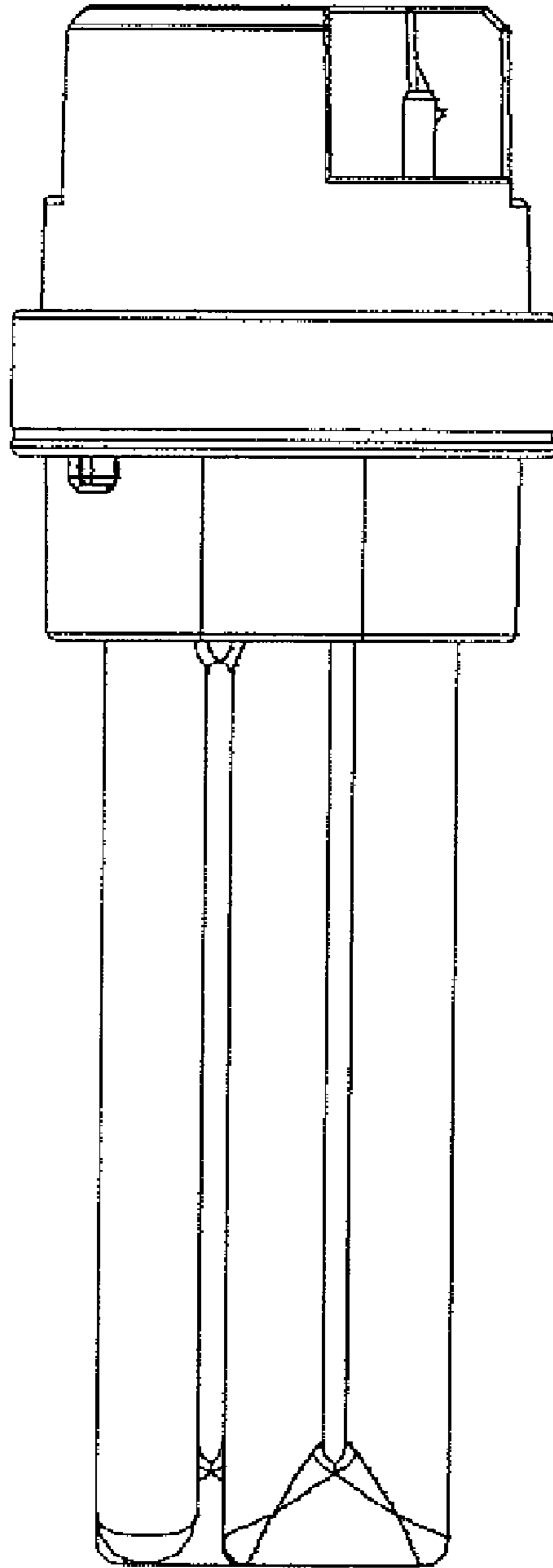


Fig. 4

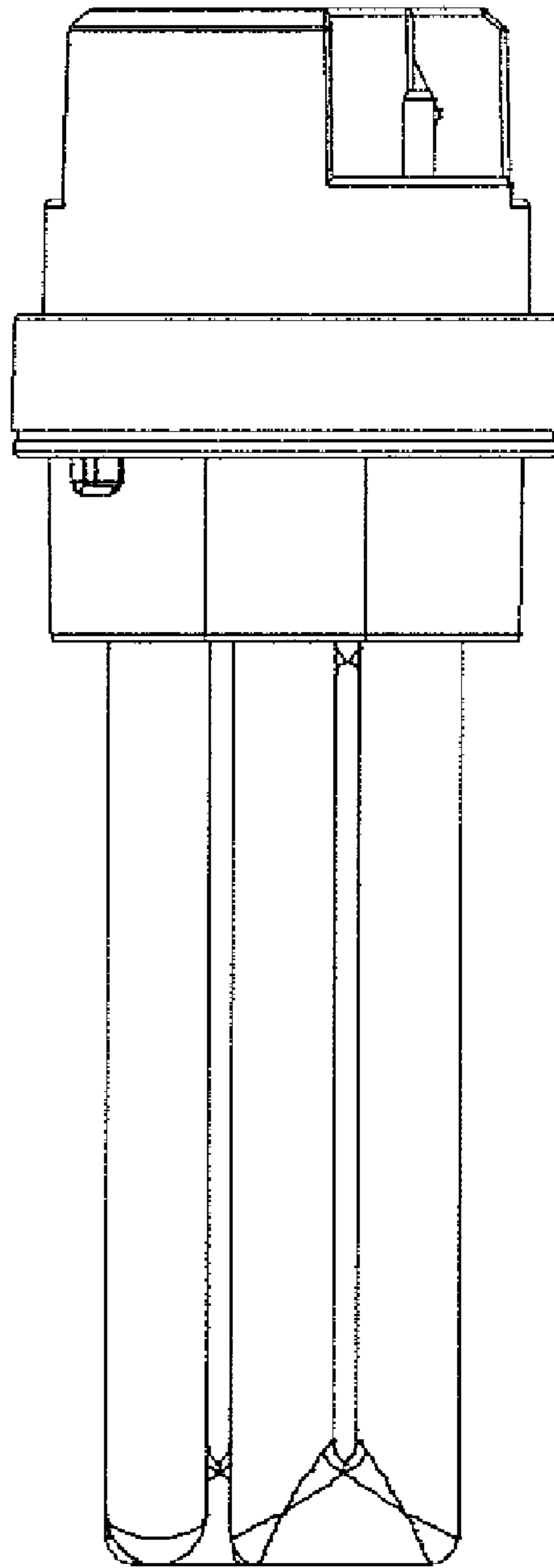


Fig. 5

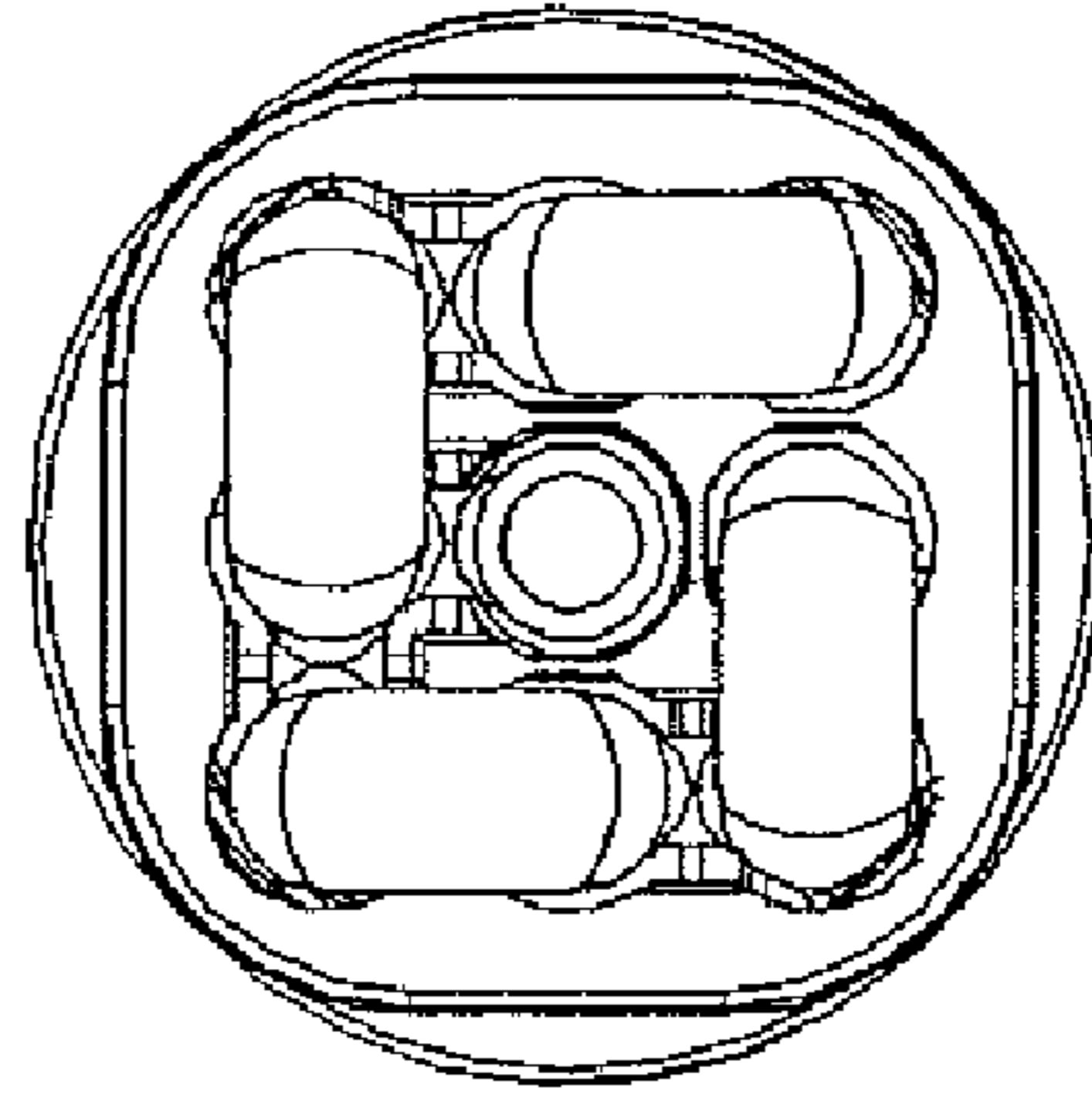


Fig. 6

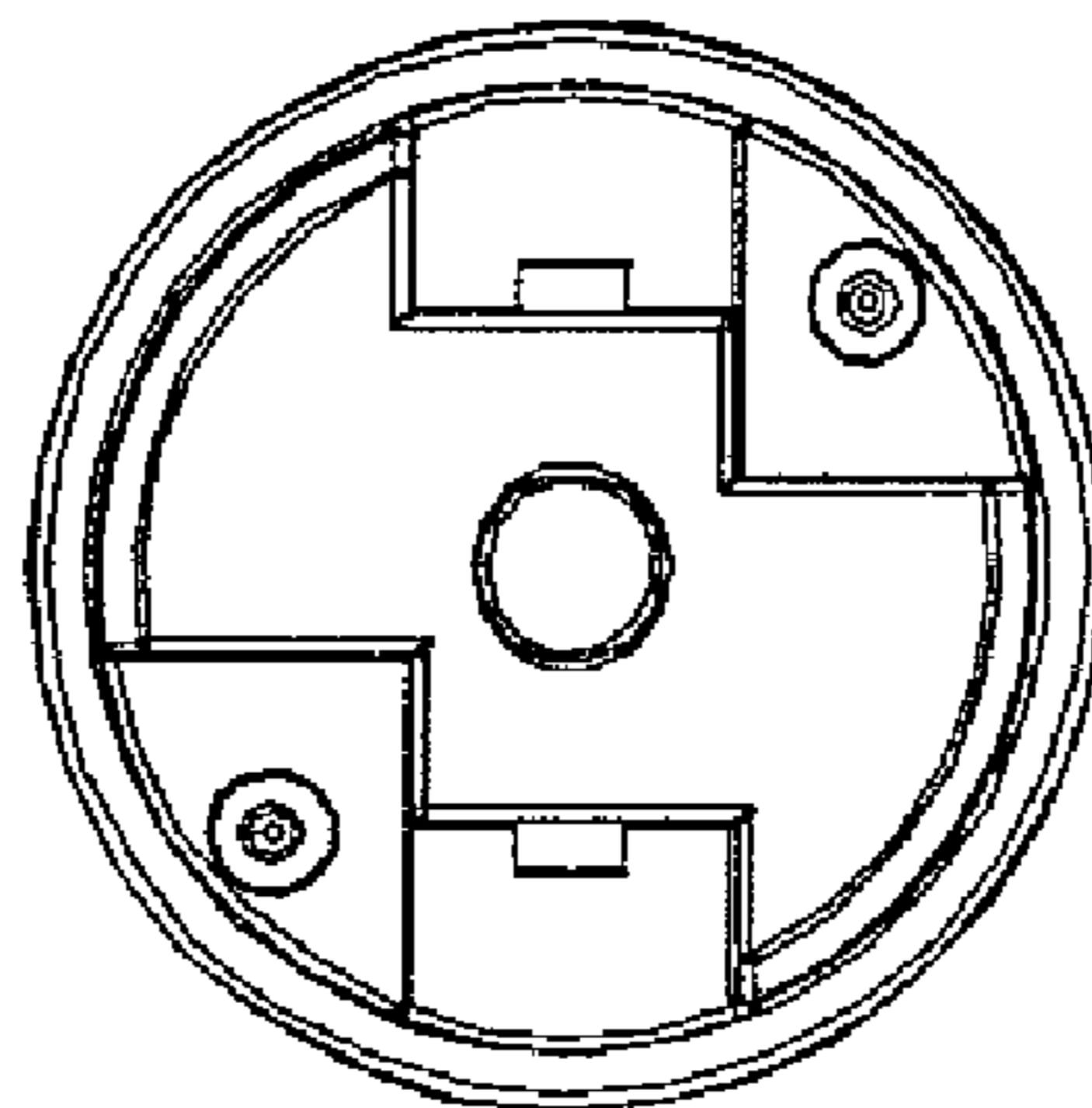


Fig. 7