



US00D601724S

(12) **United States Design Patent**
Ashida et al.

(10) **Patent No.:** **US D601,724 S**
(45) **Date of Patent:** **** Oct. 6, 2009**

(54) **HIGH INTENSITY DISCHARGE LAMP**

D482,142 S * 11/2003 Honda et al. D26/2
D520,150 S * 5/2006 Komiya et al. D26/2
D543,644 S * 5/2007 Bembridge D26/2
D592,320 S * 5/2009 Arndt et al. D26/2

(75) Inventors: **Seiji Ashida**, Tokyo (JP); **Katsuya Otani**, Kanagawa (JP)

(73) Assignee: **Osram-Melco Toshiba Lighting Ltd.**, Kanagawa (JP)

* cited by examiner

Primary Examiner—Marcus A Jackson
(74) *Attorney, Agent, or Firm*—J.C. Patents

(**) Term: **14 Years**

(21) Appl. No.: **29/335,908**

(57) **CLAIM**

(22) Filed: **Apr. 24, 2009**

The ornamental design for a high intensity discharge lamp, as shown and described.

(30) **Foreign Application Priority Data**

DESCRIPTION

Oct. 30, 2008 (JP) 2008-027951

(51) **LOC (9) Cl.** **26-04**

FIG. 1 is a perspective view of a high intensity discharge lamp showing our new design.

(52) **U.S. Cl.** **D26/2**

FIG. 2 is a front view thereof.

(58) **Field of Classification Search** D26/1-4;
313/313, 315, 316, 317, 318; 315/52, 53,
315/56, 57, 58

FIG. 3 is a rear view thereof.

FIG. 4 is a left side view thereof.

See application file for complete search history.

FIG. 5 is a right side view thereof.

FIG. 6 is a top view thereof; and,

FIG. 7 is a bottom view thereof.

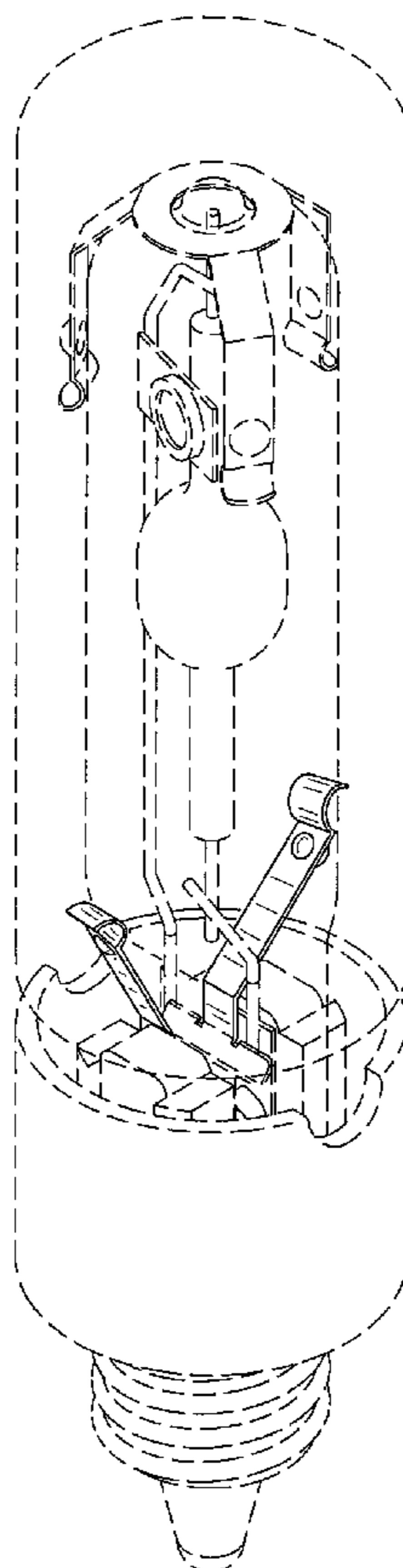
(56) **References Cited**

The broken lines shown in the drawings are for illustrative purposes only and form no part of the claimed design.

U.S. PATENT DOCUMENTS

D334,071 S * 3/1993 Itoh et al. D26/2
D390,673 S * 2/1998 Sato et al. D26/2
D464,445 S * 10/2002 Honda et al. D26/2

1 Claim, 6 Drawing Sheets



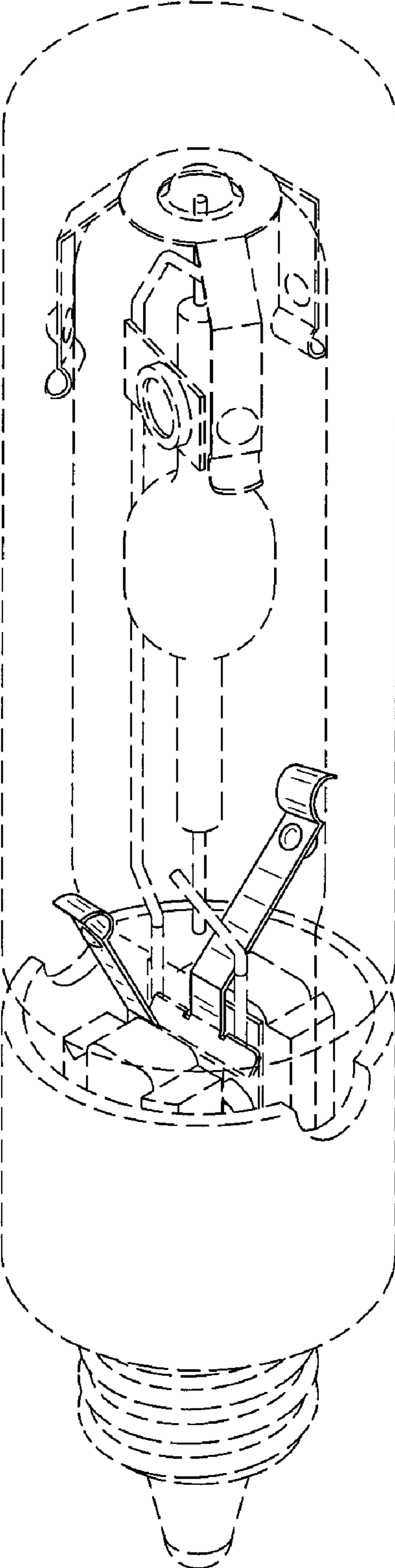


FIG. 1

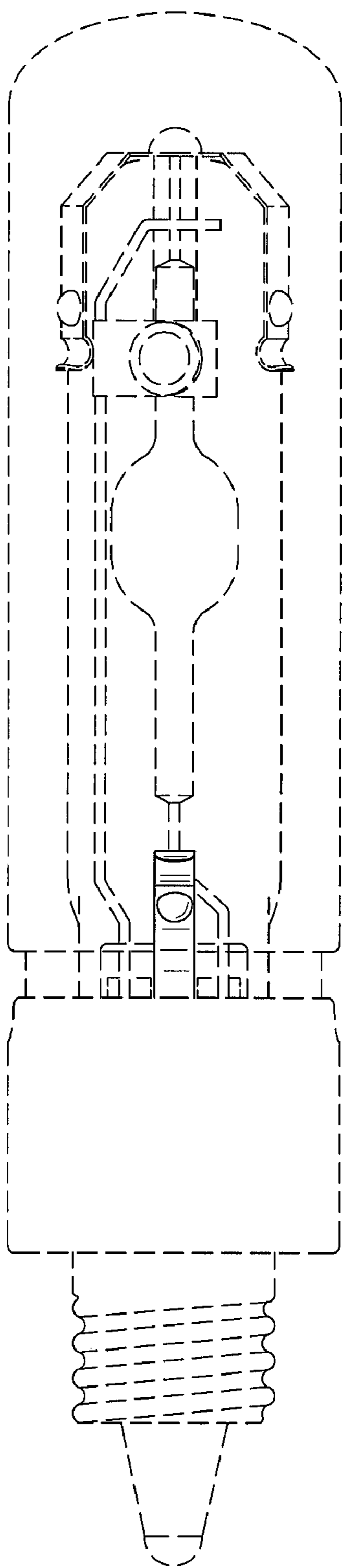


FIG. 2

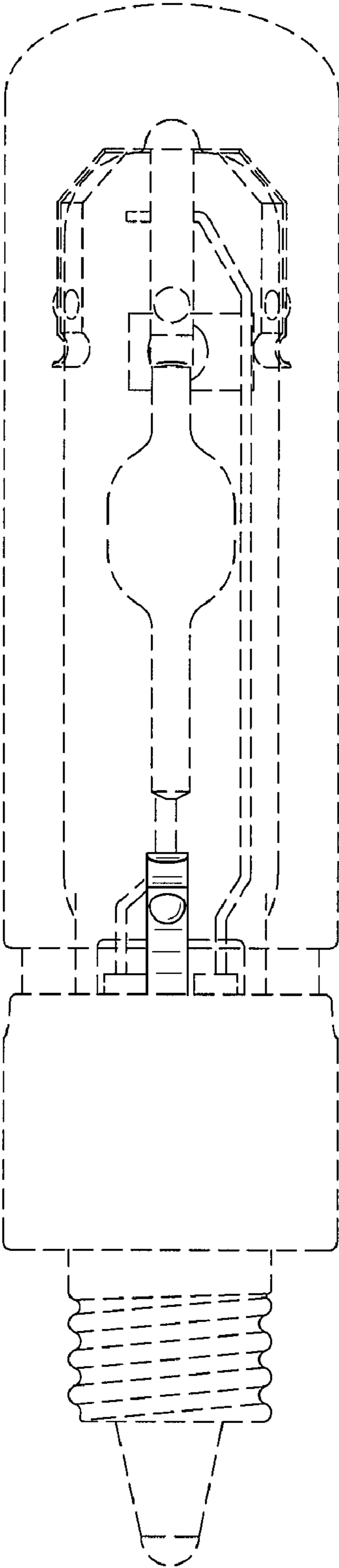


FIG. 3

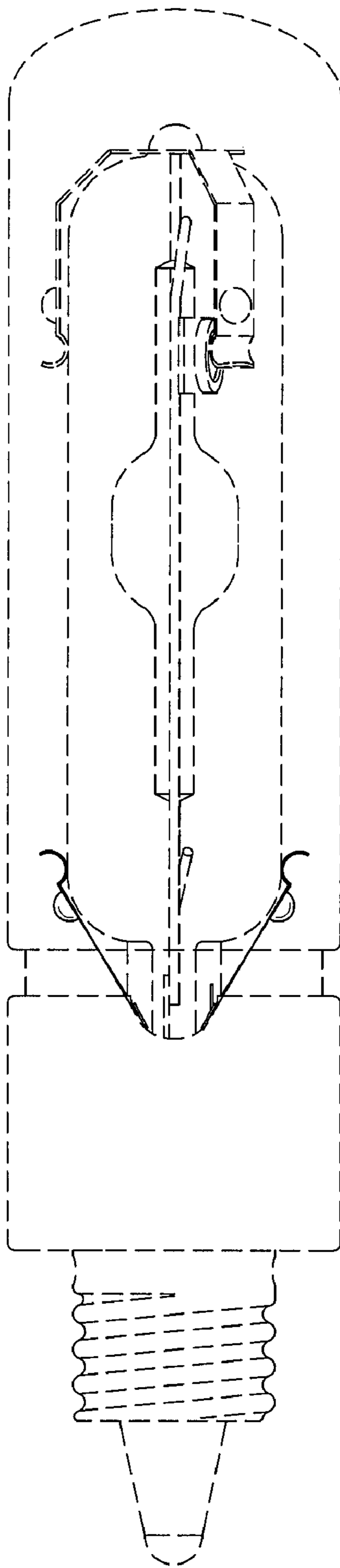


FIG. 4

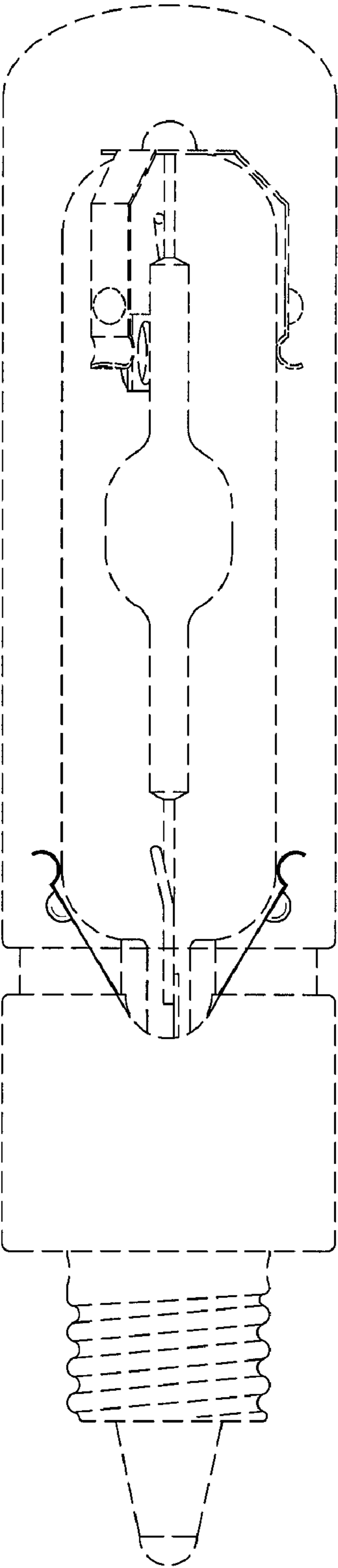


FIG. 5

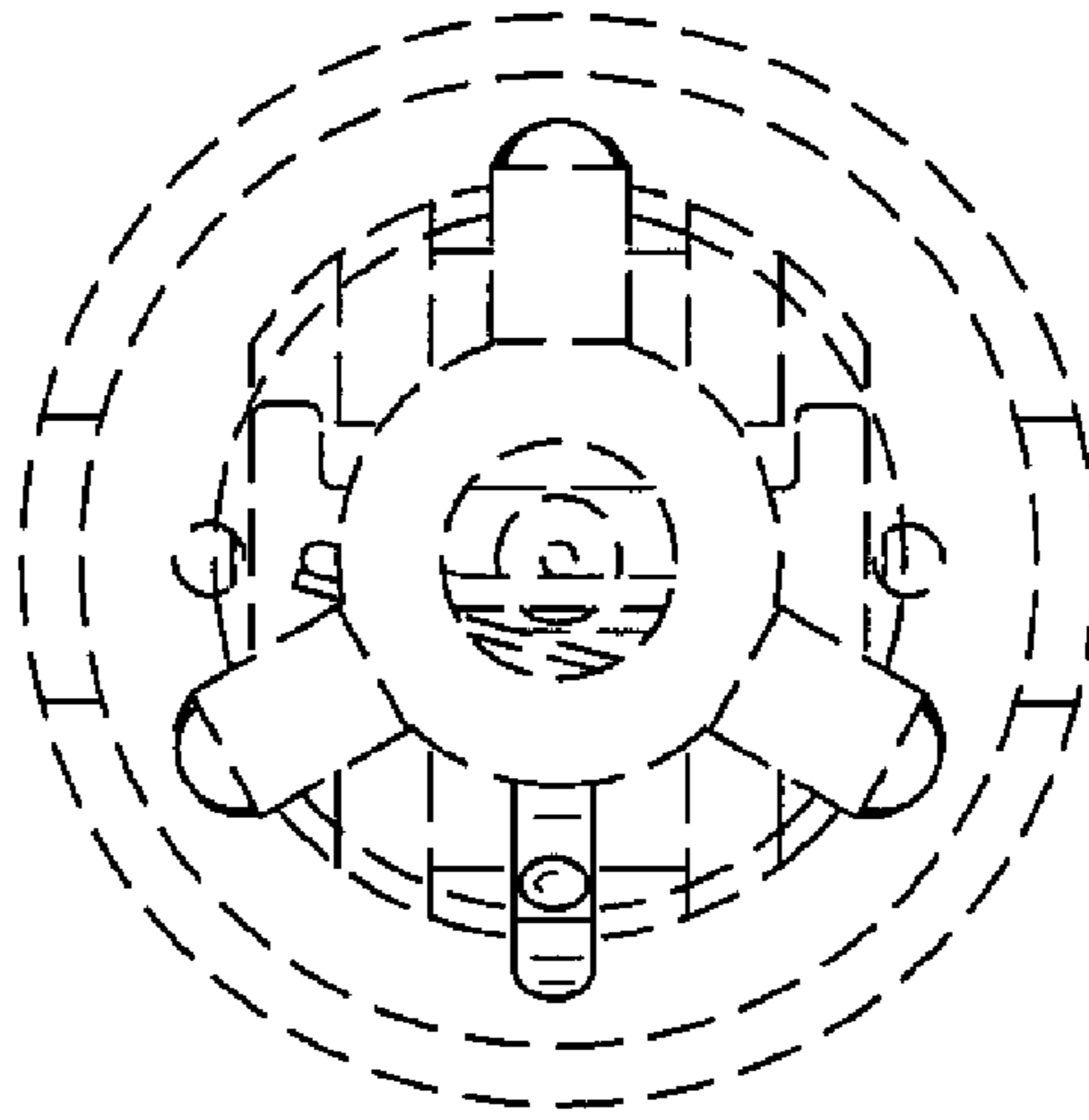


FIG. 6

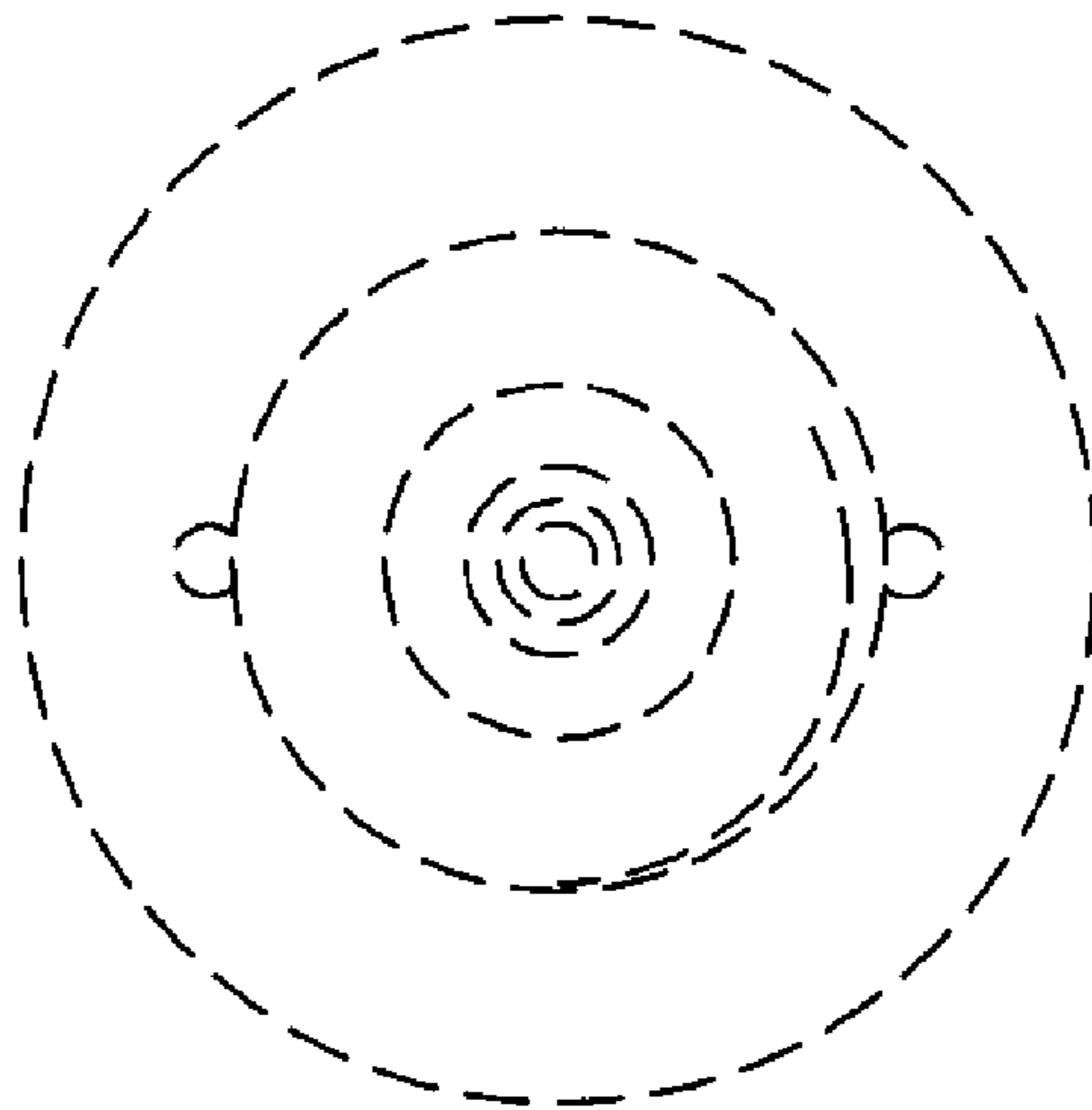


FIG. 7