



US00D601719S

(12) **United States Design Patent**
Gibson

(10) **Patent No.:** **US D601,719 S**

(45) **Date of Patent:** **** Oct. 6, 2009**

(54) **LADDER**

(76) Inventor: **Carl F. Gibson**, 431 S. Ham La., Suite B, Lodi, CA (US) 95242

(**) Term: **14 Years**

(21) Appl. No.: **29/338,037**

(22) Filed: **Jun. 3, 2009**

(51) **LOC (9) Cl.** **25-04**

(52) **U.S. Cl.** **D25/64**

(58) **Field of Classification Search** D25/64;
182/82, 93, 94, 200, 206

See application file for complete search history.

(56) **References Cited**

U.S. PATENT DOCUMENTS

3,590,951 A *	7/1971	Berger	182/206
D392,744 S *	3/1998	Staal	D25/64
D442,289 S *	5/2001	Ziaylek et al.	D25/64
6,840,350 B2 *	1/2005	Deal	182/82

* cited by examiner

Primary Examiner—Doris Clark

(74) *Attorney, Agent, or Firm*—Russell S. Krajec; Krajec Patent Offices, LLC

(57) **CLAIM**

The ornamental design for a ladder, as shown and described.

DESCRIPTION

FIG. 1 is an isometric view of a ladder showing my new design.

FIG. 2 is a top view of the ladder.

FIG. 3 is a front view of the ladder.

FIG. 4 is a left side view of the ladder.

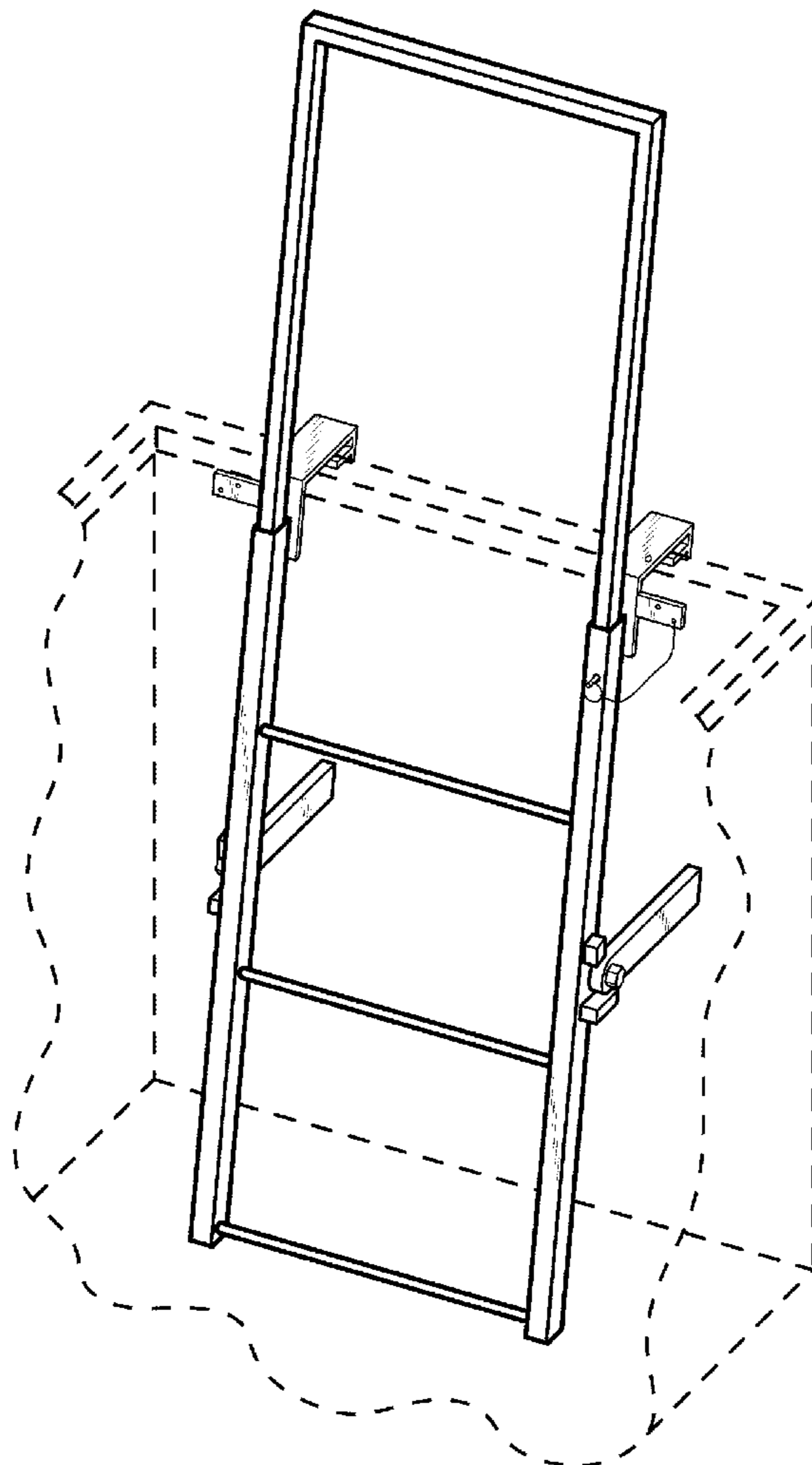
FIG. 5 is a right side view of the ladder.

FIG. 6 is a rear view of the ladder; and,

FIG. 7 is a bottom view of the ladder.

The broken lines are for illustrative purposes only and form no part of the claimed design.

1 Claim, 5 Drawing Sheets



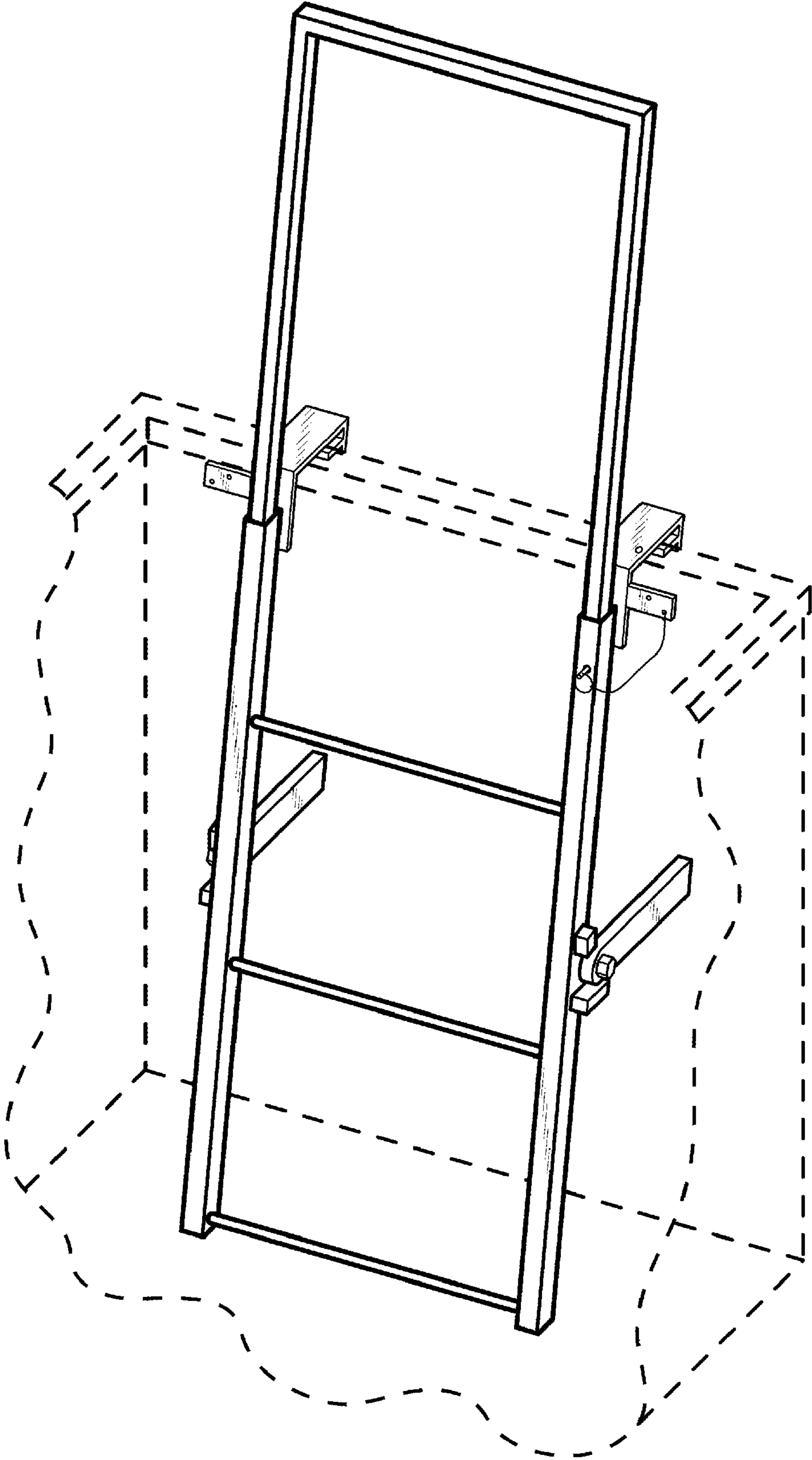


FIG. 1

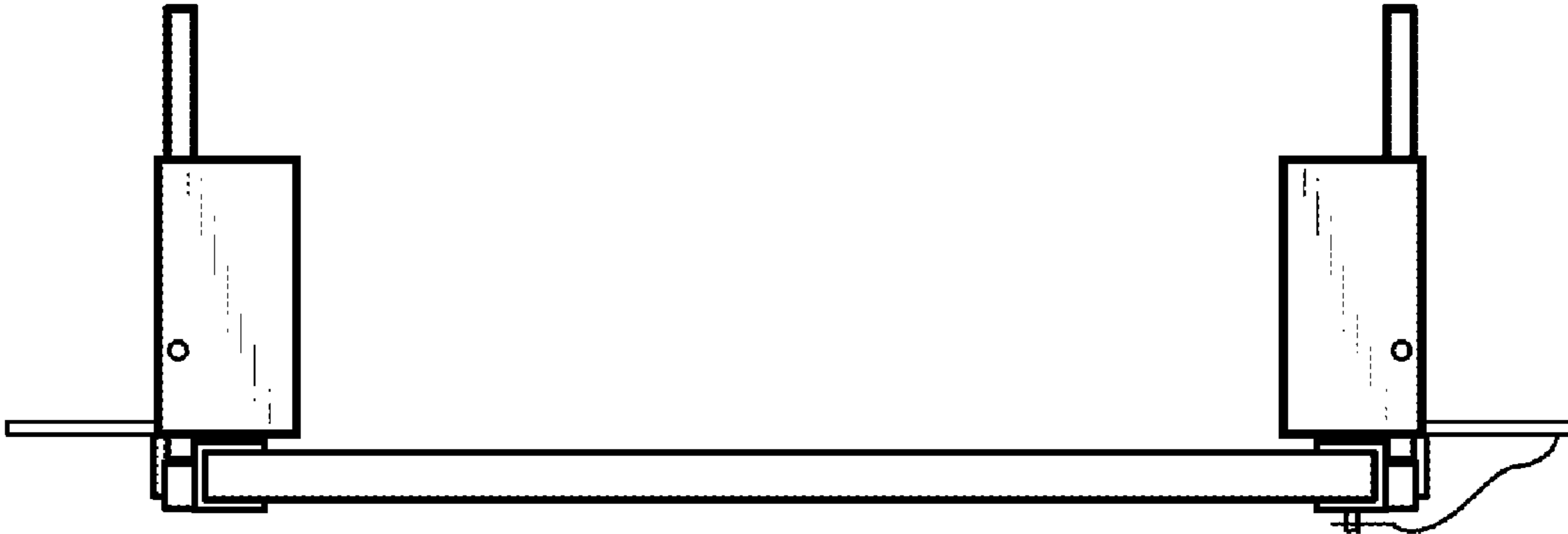


FIG. 2

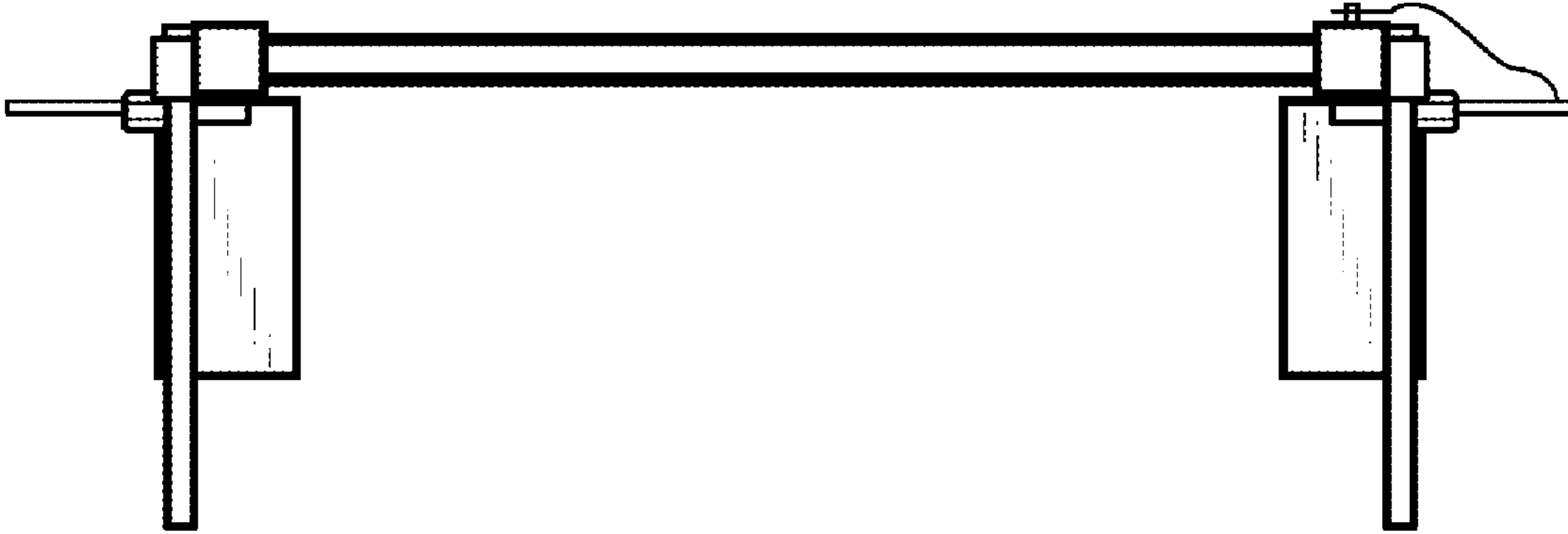


FIG. 7

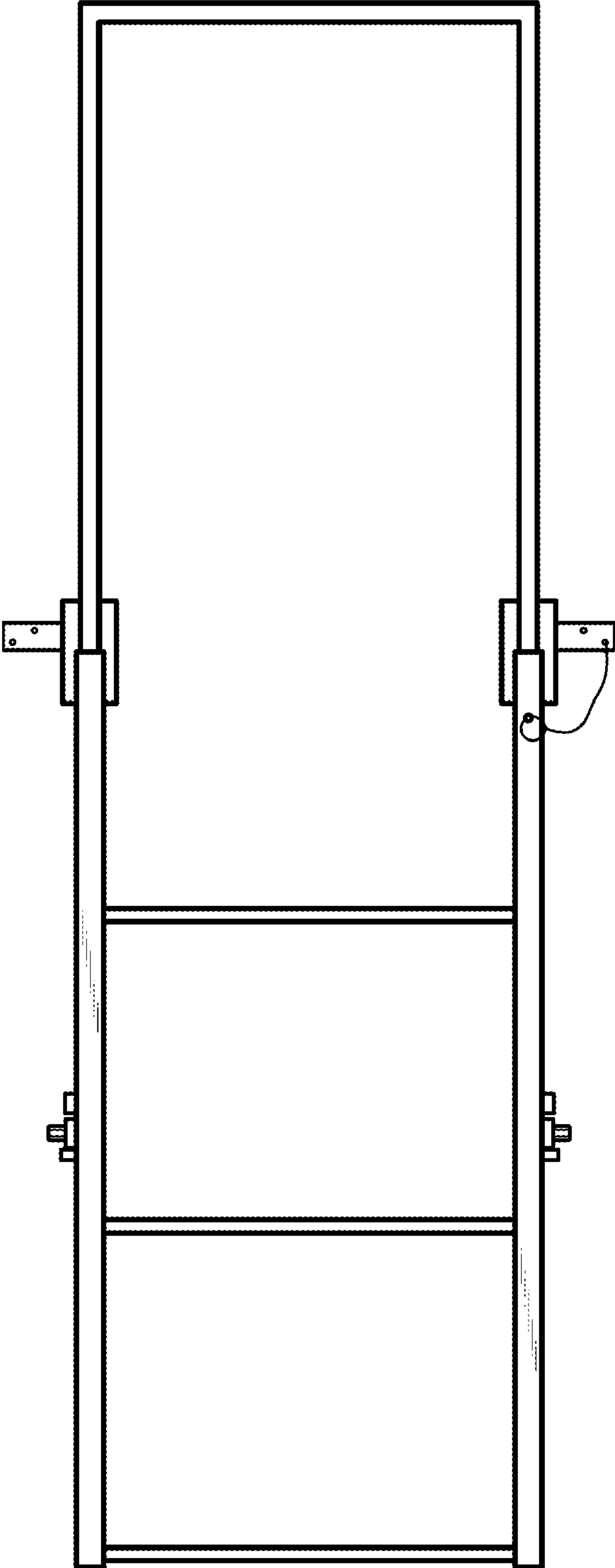


FIG. 3

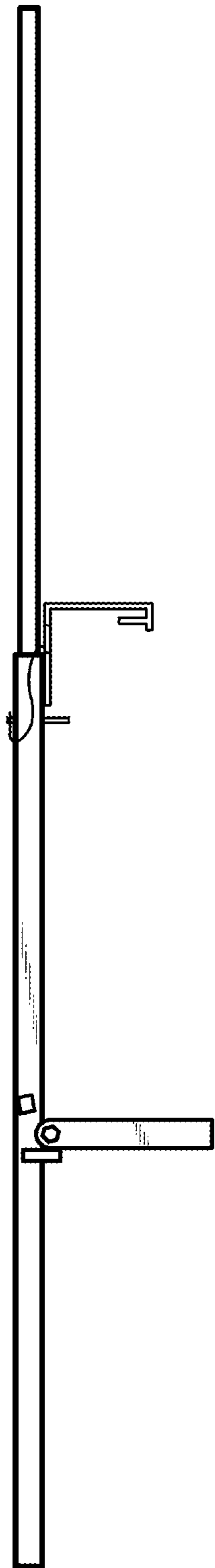


FIG. 4

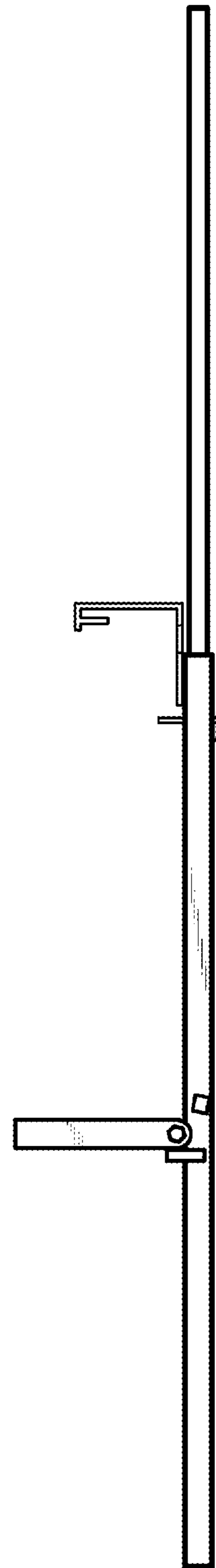


FIG. 5

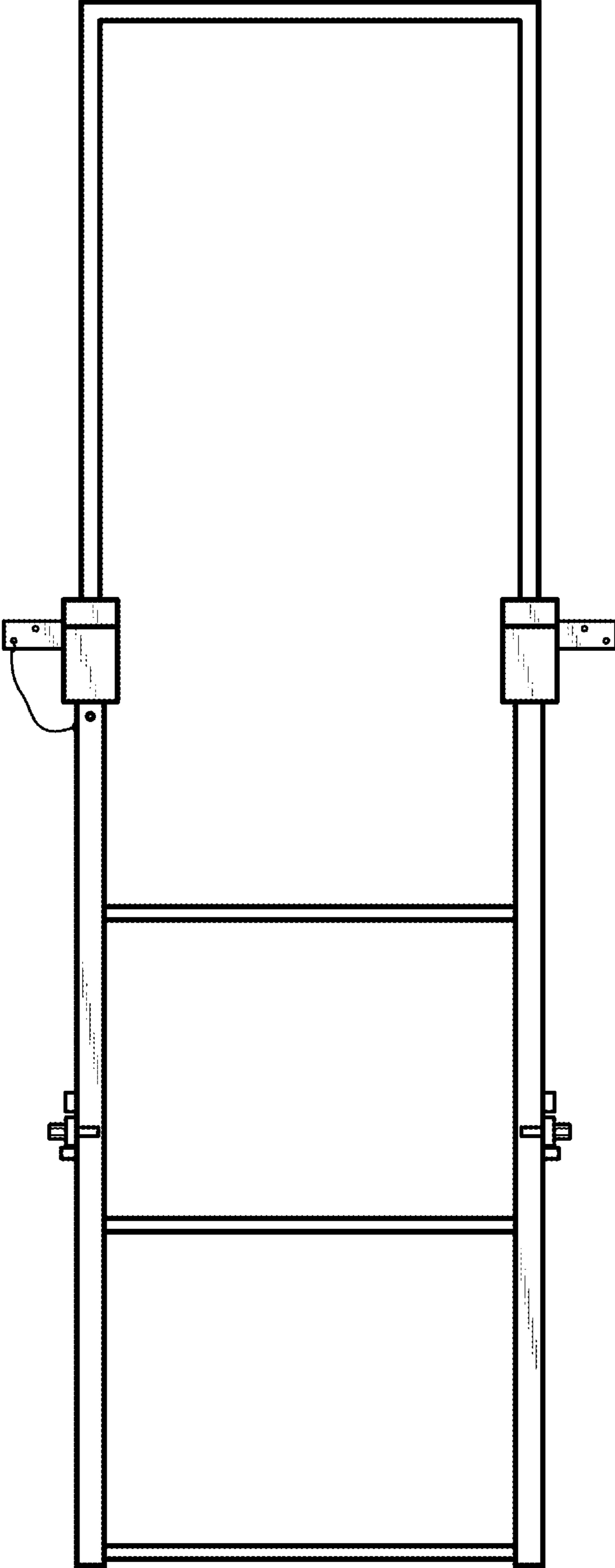


FIG. 6