

US00D601717S

(12) **United States Design Patent**
Auberger

(10) **Patent No.:** **US D601,717 S**

(45) **Date of Patent:** **** Oct. 6, 2009**

(54) **FENCE**

D242,547 S * 11/1976 Monroe D25/50
D248,874 S * 8/1978 Prause D25/39
D543,636 S * 5/2007 Hesselmann D25/38

(75) Inventor: **Benoit Auberger**, La Meilleraie Tillay
(FR)

* cited by examiner

(73) Assignee: **Wesco S.A.**, Cerizay (FR)

Primary Examiner—Doris Clark

(**) Term: **14 Years**

(74) *Attorney, Agent, or Firm*—Westerman, Hattori, Daniels
& Adrian, LLP.

(21) Appl. No.: **29/321,653**

(57) **CLAIM**

(22) Filed: **Jul. 21, 2008**

The ornamental design for fence, as shown and described.

(30) **Foreign Application Priority Data**

DESCRIPTION

Jan. 22, 2008 (EM) 865191-0009

FIG. 1 represents a perspective view of the fence.

(51) **LOC (9) Cl.** **25-02**

FIG. 2 is a front view.

(52) **U.S. Cl.** **D25/50; D25/38**

FIG. 3 is a right side view.

(58) **Field of Classification Search** D25/38,
D25/43, 44, 50; 256/24, 73, 19, 20
See application file for complete search history.

FIG. 4 is a back view

FIG. 5 is a left side view.

FIG. 6 is a top view; and,

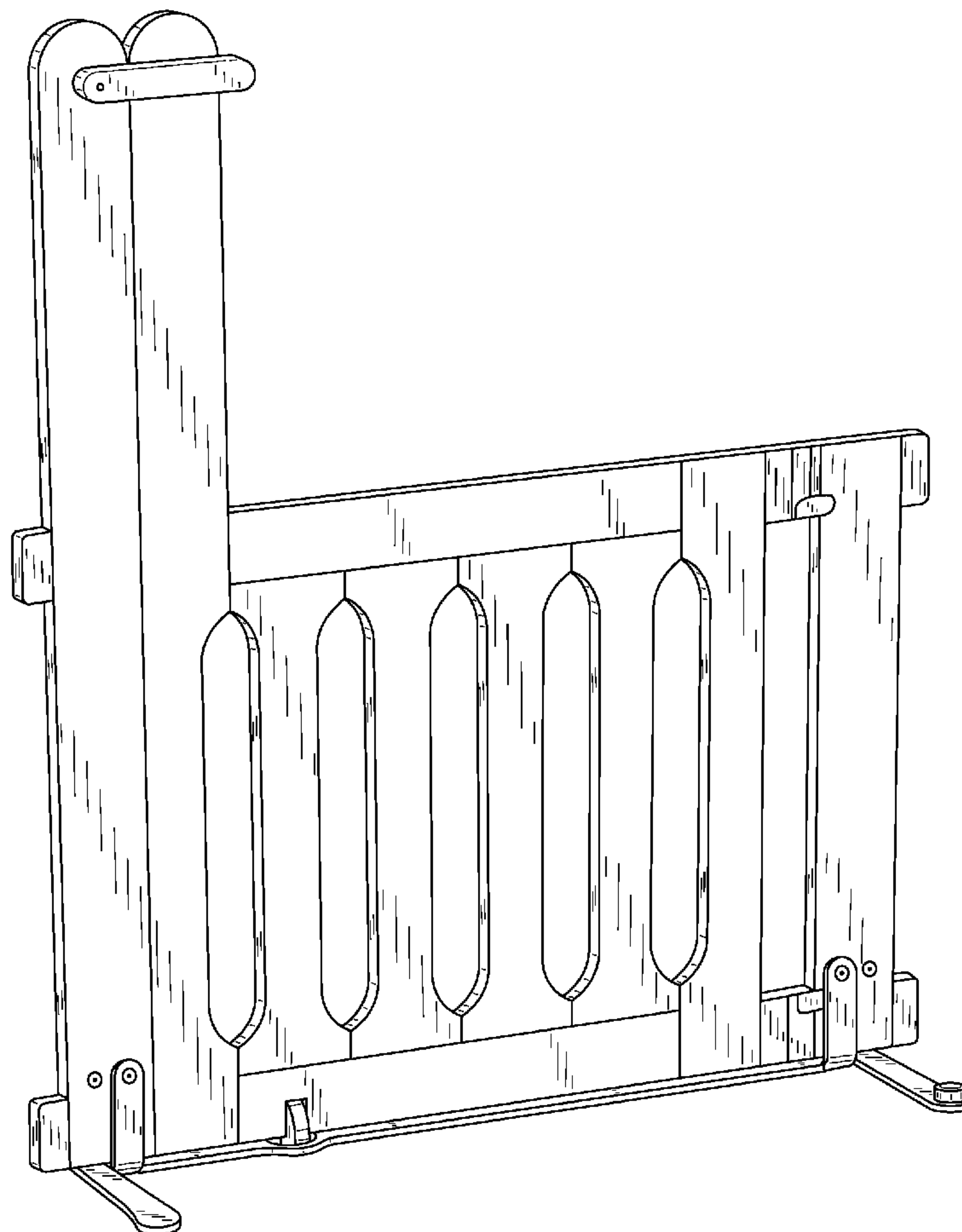
FIG. 7 is a bottom view.

(56) **References Cited**

U.S. PATENT DOCUMENTS

404,936 A * 6/1889 Shellaberger 256/73

1 Claim, 6 Drawing Sheets



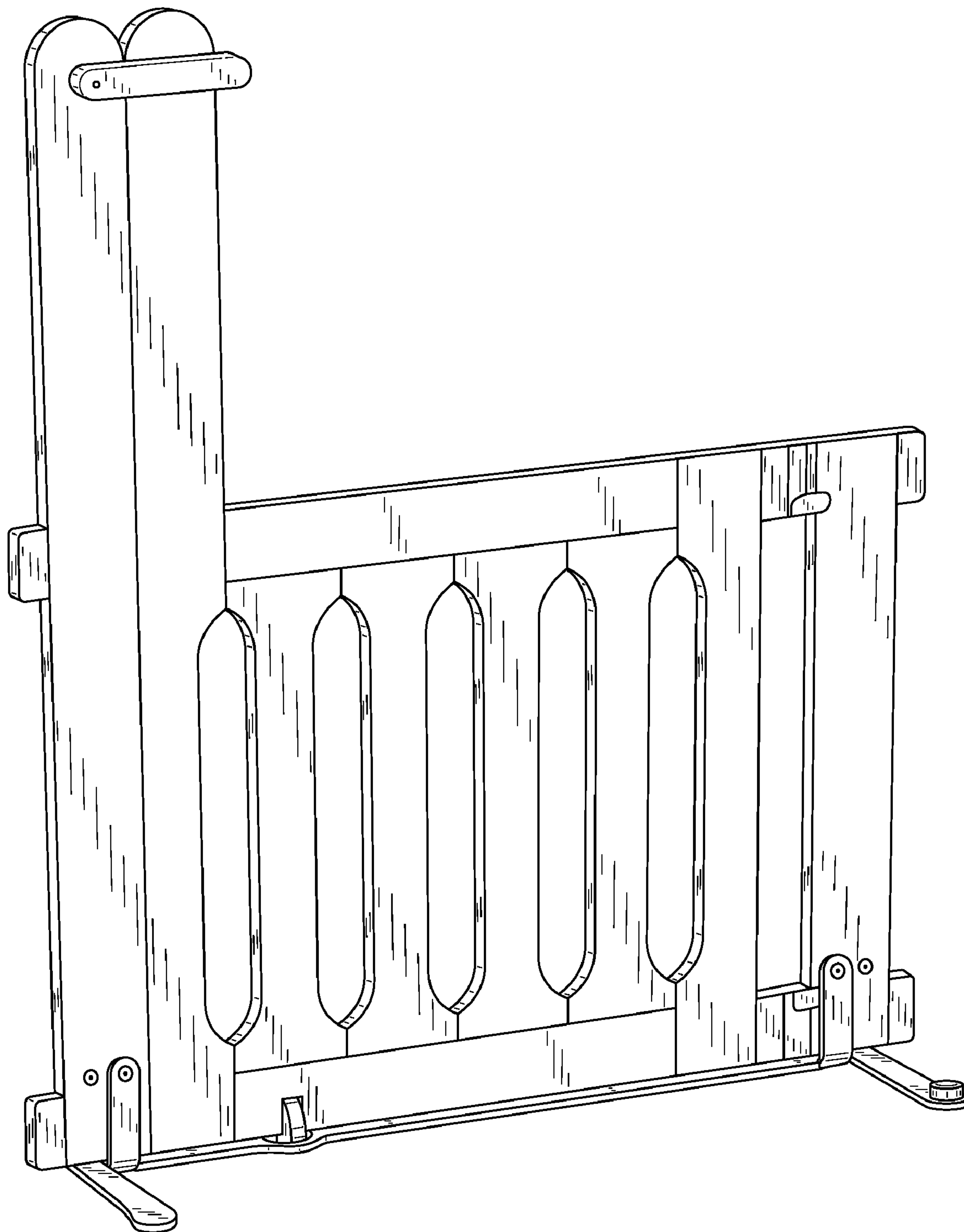


FIG. 1

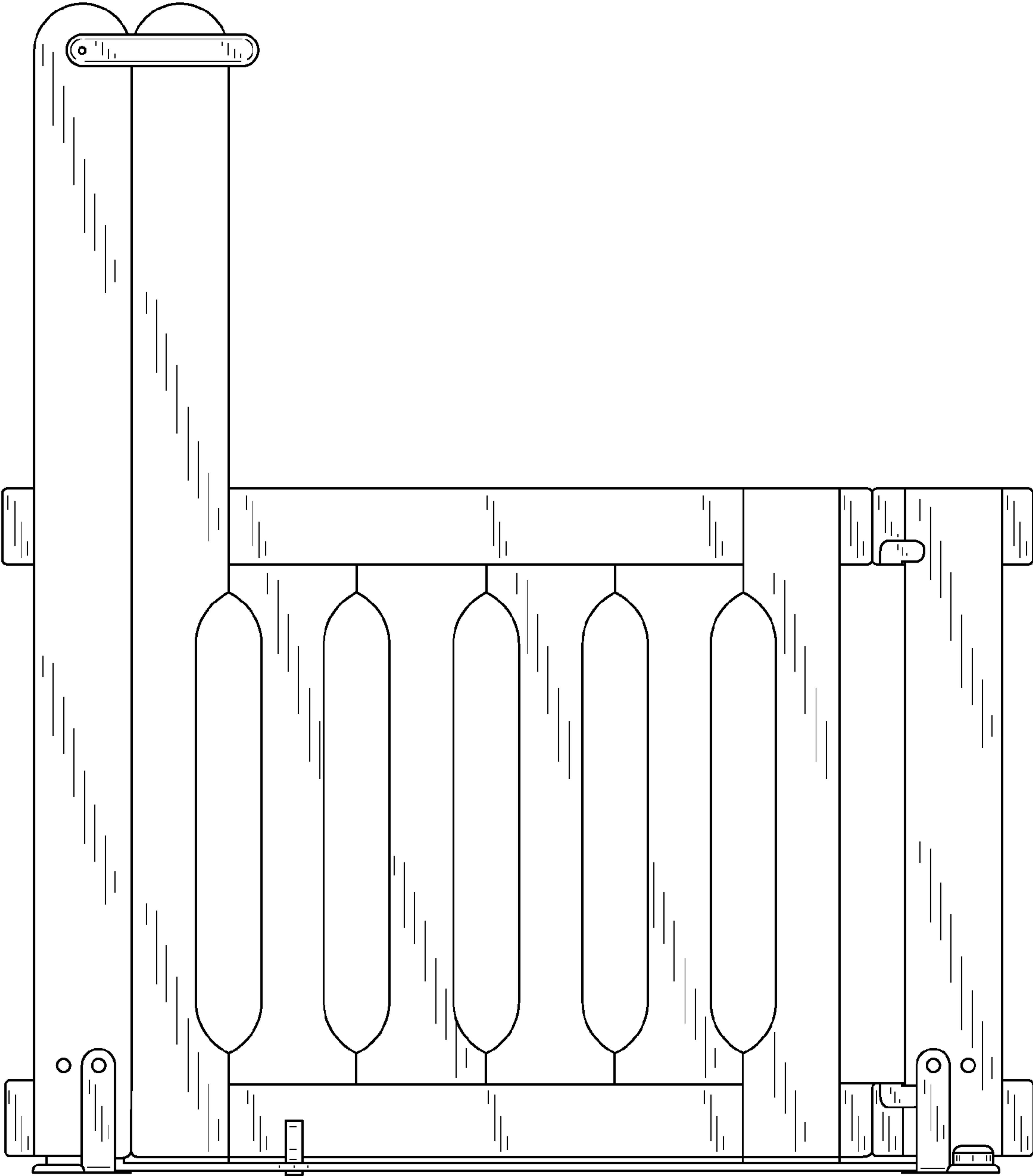


FIG. 2

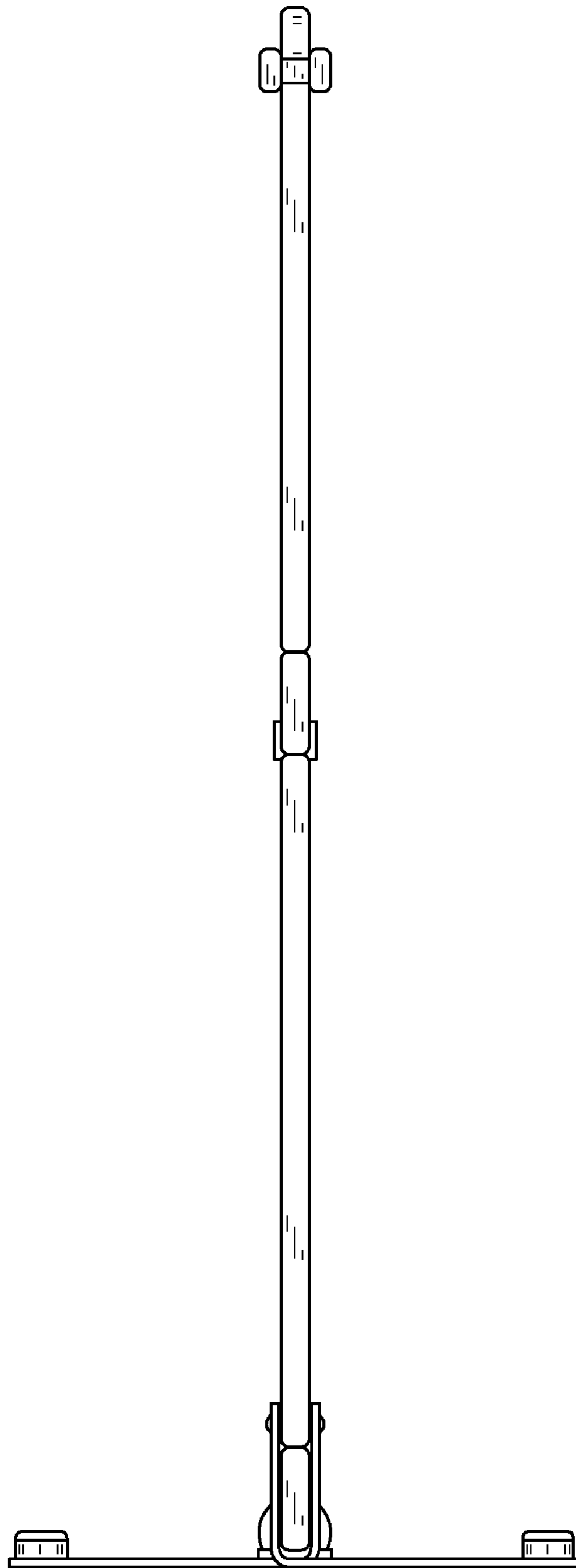


FIG. 3

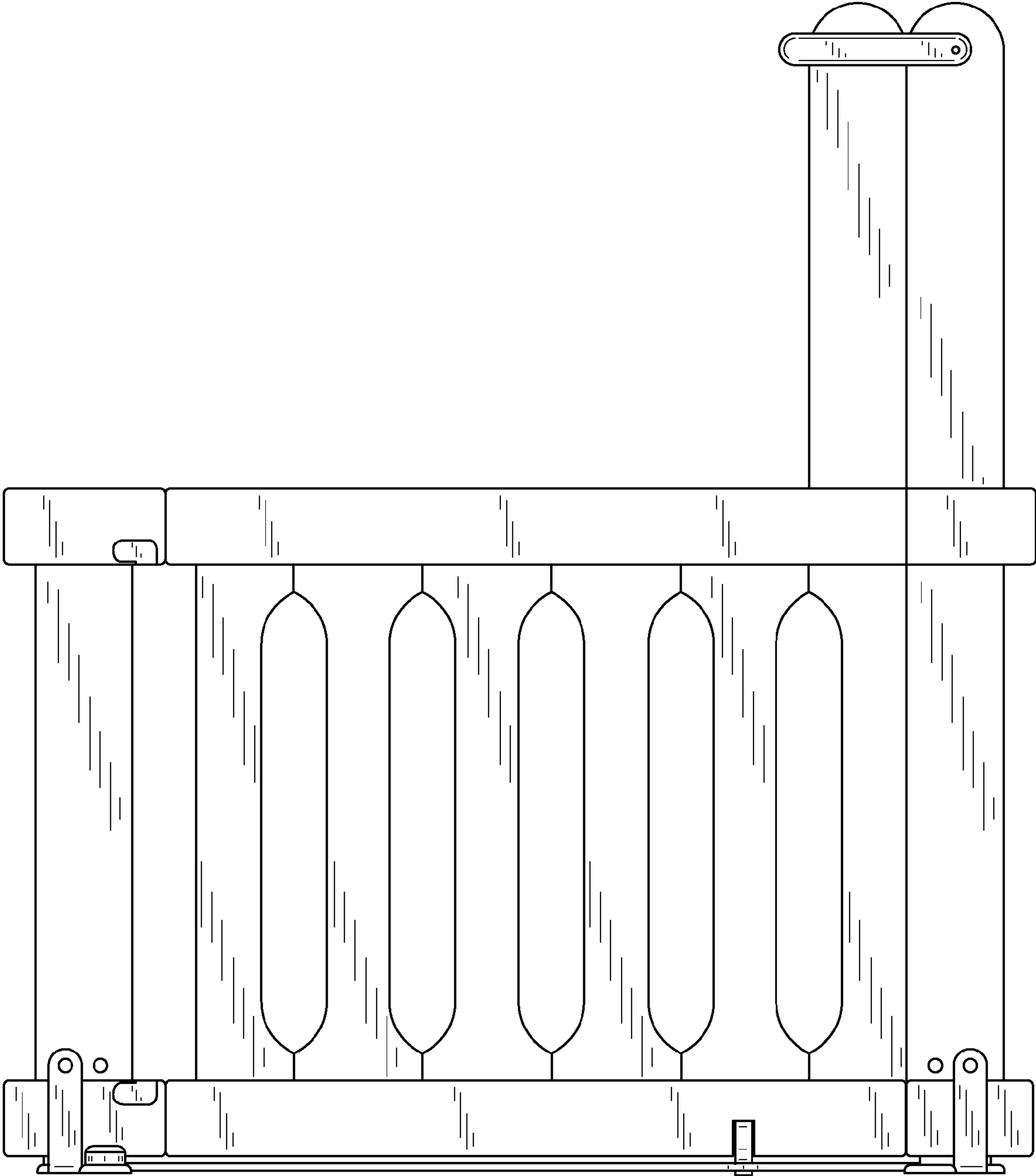


FIG.4

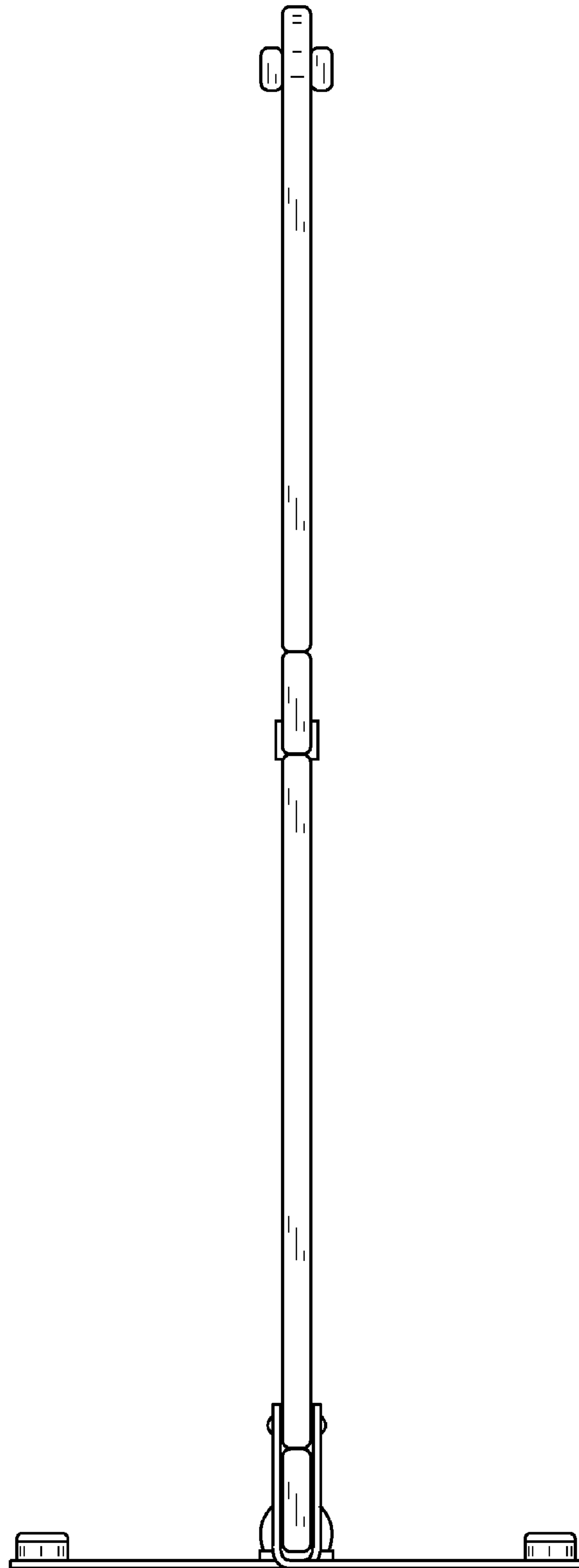


FIG. 5

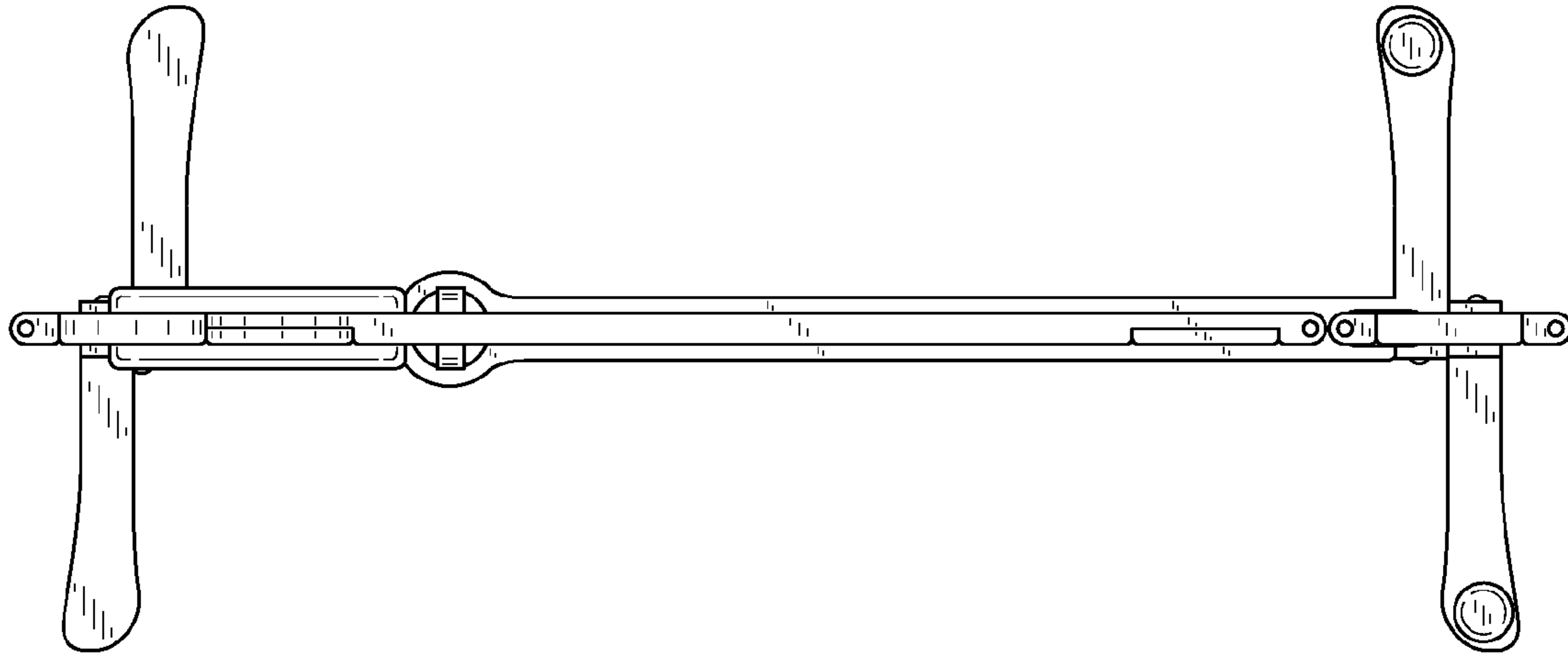


FIG. 6

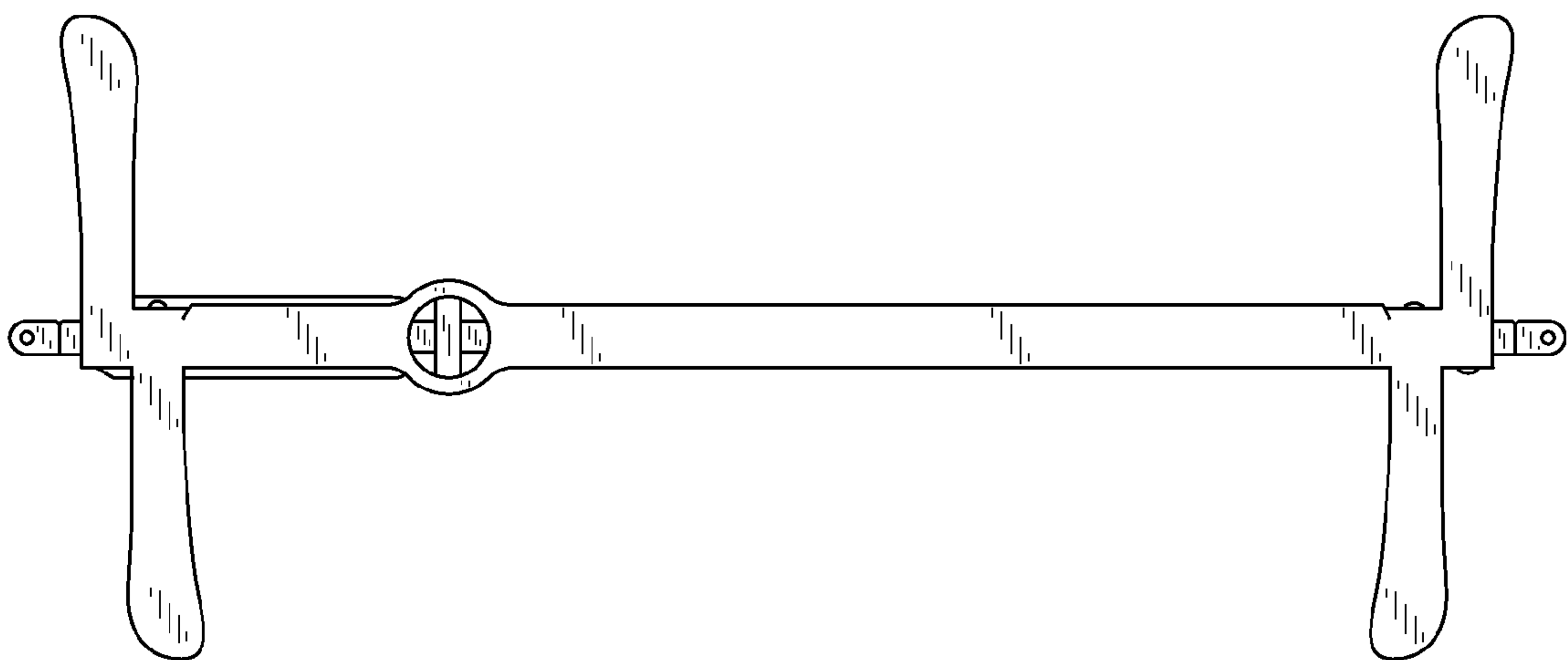


FIG. 7