



US00D601715S

(12) **United States Design Patent**
Carney

(10) **Patent No.:** **US D601,715 S**
(45) **Date of Patent:** **** Oct. 6, 2009**

- (54) **RAIL**
- (75) Inventor: **John Carney**, Warrington (GB)
- (73) Assignee: **Cheshire Mouldings & Woodturnings Limited**, Warrington (GB)
- (**) Term: **14 Years**
- (21) Appl. No.: **29/262,229**
- (22) Filed: **Jun. 28, 2006**
- (30) **Foreign Application Priority Data**
May 31, 2006 (EM) 000539960
- (51) **LOC (9) Cl.** **25-02**
- (52) **U.S. Cl.** **D25/38**
- (58) **Field of Classification Search** 256/1,
256/59, 65.01, 65.02, 65.04, 65.05, 65.15,
256/65.16; 52/191; 182/106, 113; D25/38
See application file for complete search history.

- (56) **References Cited**
U.S. PATENT DOCUMENTS
D353,467 S * 12/1994 Raynes D25/38
D469,882 S * 2/2003 Perkins et al. D25/38
D474,281 S 5/2003 Hansen
D482,128 S 11/2003 Krueger et al.
D497,432 S 10/2004 Ohanesian
D512,159 S * 11/2005 Grutzke et al. D25/38

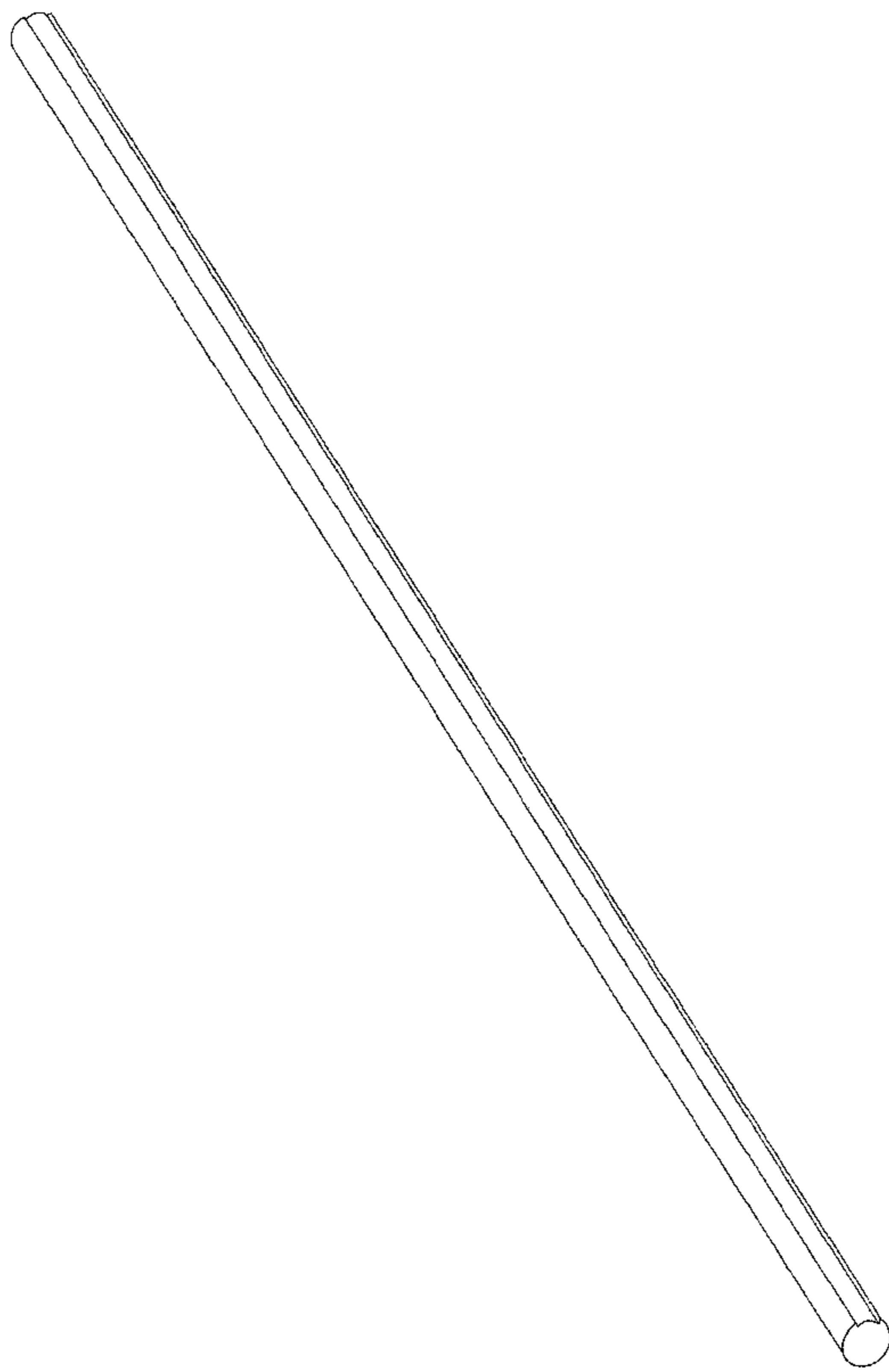
2003/0151040 A1* 8/2003 Safael 256/59
FOREIGN PATENT DOCUMENTS
GB 2 417 041 A 2/2006
OTHER PUBLICATIONS
Search Report under Section 17 published Feb. 15, 2006 with UK Patent Application: GB 2 417 041 A.
WO 2006/16099 A1; International Application No. PCT/GB2005/002760, published by the International Bureau on Feb. 16, 2006, with the International Search Report.

* cited by examiner
Primary Examiner—Doris Clark
(74) *Attorney, Agent, or Firm*—Thompson Coburn LLP

(57) **CLAIM**
The ornamental design of a rail, as shown and described.

DESCRIPTION
FIG. 1 is an enlarged fragmented top plan view of the rail showing my new design,.
FIG. 2 is a side elevation view thereof
FIG. 3 is a bottom plan view thereof.
FIG. 4 is a bottom perspective view thereof.
FIG. 5 is a top perspective view thereof.
FIG. 6 is an end elevation view thereof; and,
FIG. 7 is a perspective view of the claimed design.

1 Claim, 3 Drawing Sheets



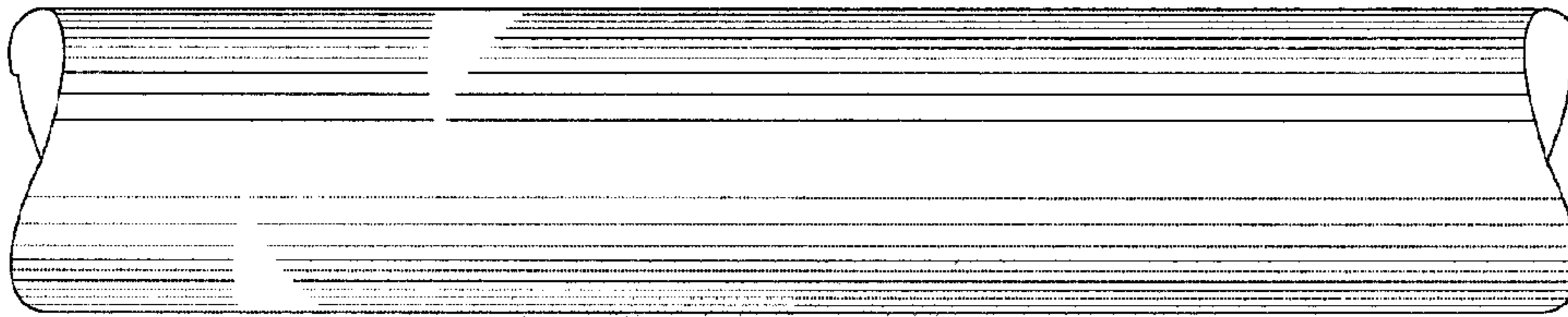


Figure 1

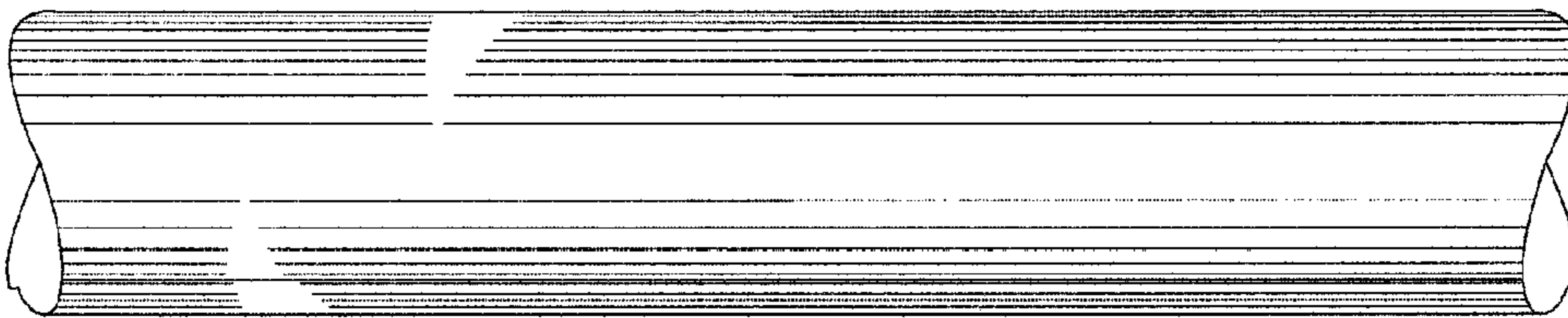


Figure 2

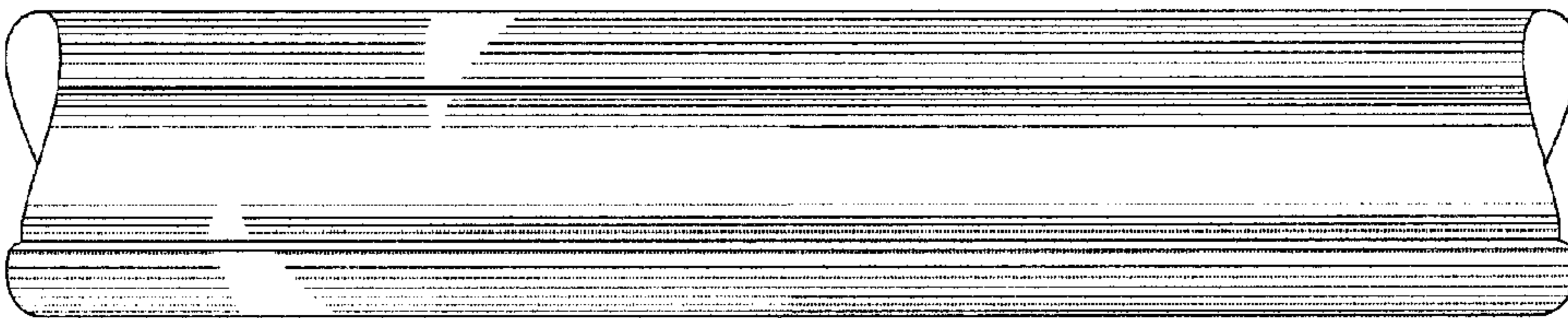


Figure 3

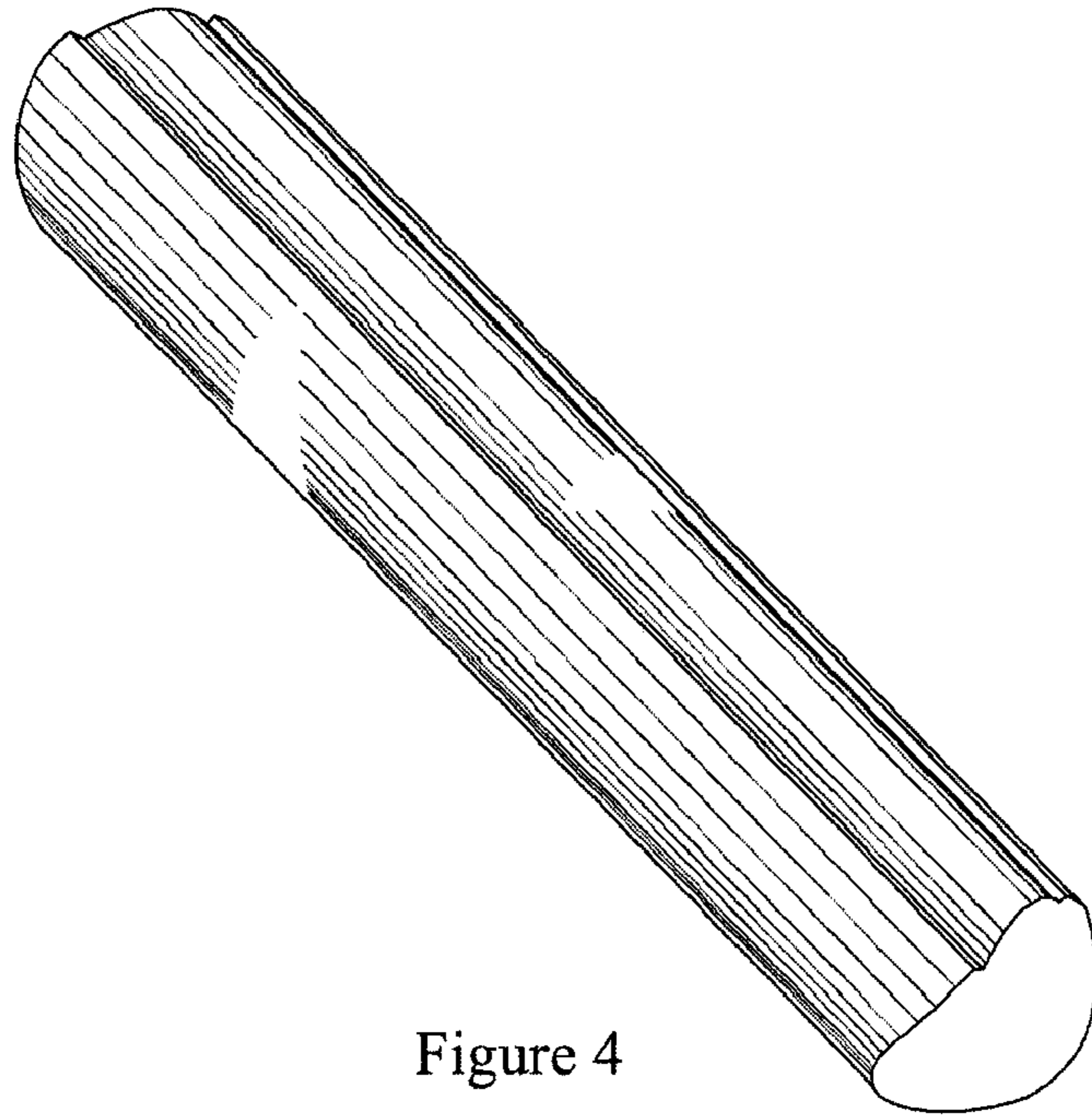


Figure 4

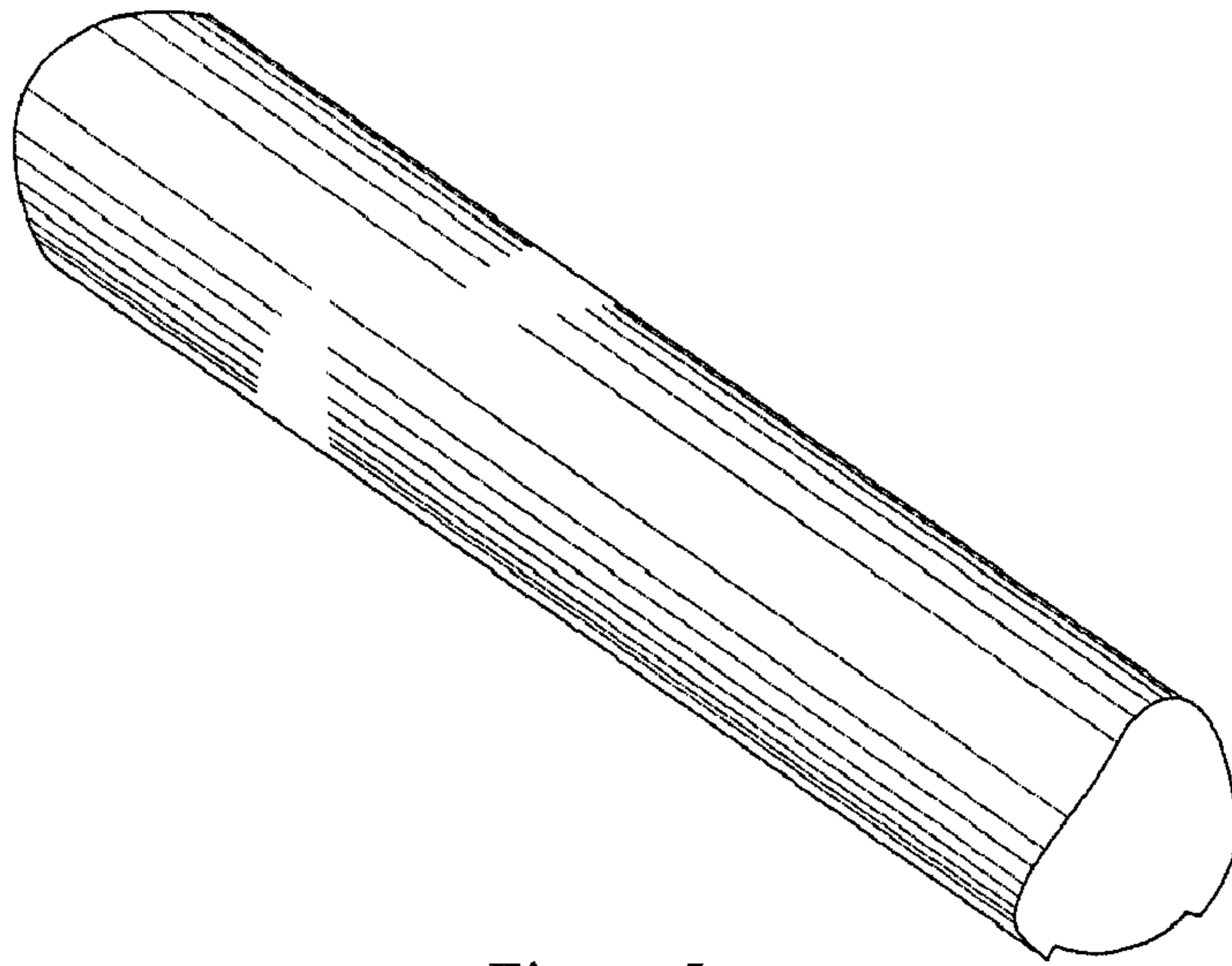


Figure 5

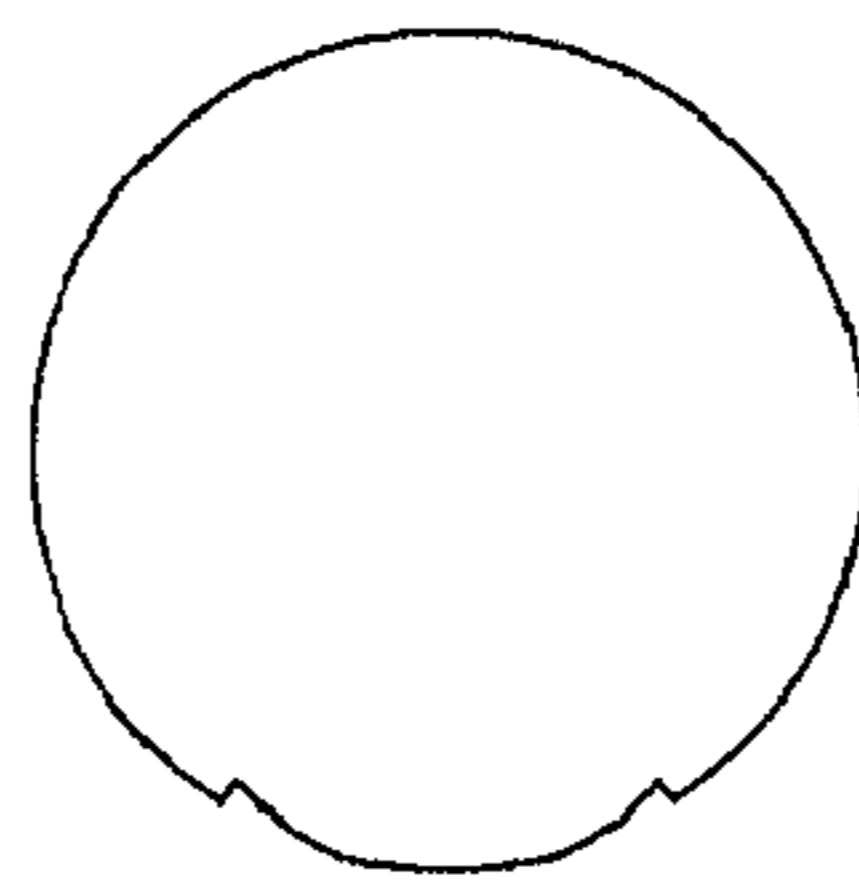


Figure 6

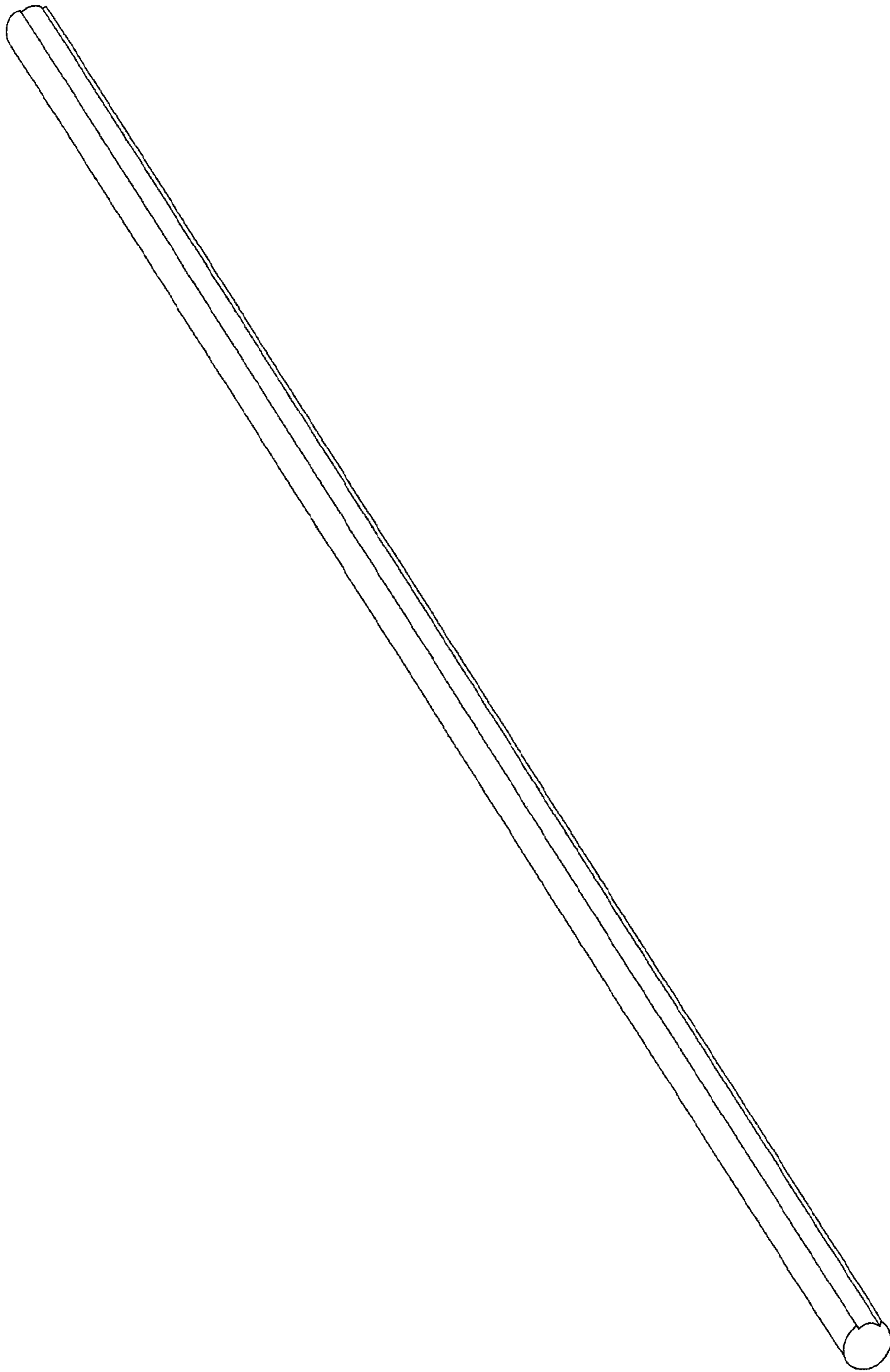


Figure 7