



US00D601712S

(12) **United States Design Patent**  
**Tajima**

(10) **Patent No.:** **US D601,712 S**  
(45) **Date of Patent:** **\*\* Oct. 6, 2009**

(54) **CARRIER ENCLOSING TIP**

2008/0257073 A1 10/2008 Tajima

(75) Inventor: **Hideji Tajima**, Matsudo (JP)

FOREIGN PATENT DOCUMENTS

(73) Assignee: **Universal Bio Research Co., Ltd.**,  
Matsudo-Shi, Chiba (JP)

EP	1464700	A1	10/2004
EP	1541993	A2	6/2005
JP	03-181853		8/1991
JP	05-281243		10/1993

(\*\*) Term: **14 Years**

(21) Appl. No.: **29/303,831**

(Continued)

(22) Filed: **Feb. 19, 2008**

OTHER PUBLICATIONS

**Related U.S. Application Data**

International Searching Authority "Written Opinion," Jan. 24, 2006, 4 pages, International Serial No. PCT/JP2005/018419, Japanese Patent Office.

(63) Continuation of application No. 11/794,828, filed as application No. PCT/JP2006/300064 on Jan. 6, 2006.

(Continued)

(30) **Foreign Application Priority Data**

Jan. 7, 2005 (JP) ..... 2005-003251

*Primary Examiner*—T. Chase Nelson  
*Assistant Examiner*—Anhdao Doan  
(74) *Attorney, Agent, or Firm*—Haynes and Boone, LLP

(51) **LOC (9) Cl.** ..... **24-02**

(52) **U.S. Cl.** ..... **D24/222**

(58) **Field of Classification Search** ..... D24/222,  
D24/108, 112, 113, 114; D10/81; 73/864.01,  
73/864.11, 864.13, 864.14, 864.16; 422/100,  
422/923, 928

See application file for complete search history.

(57) **CLAIM**

The ornamental design for a carrier enclosing tip, as shown and described.

(56) **References Cited**

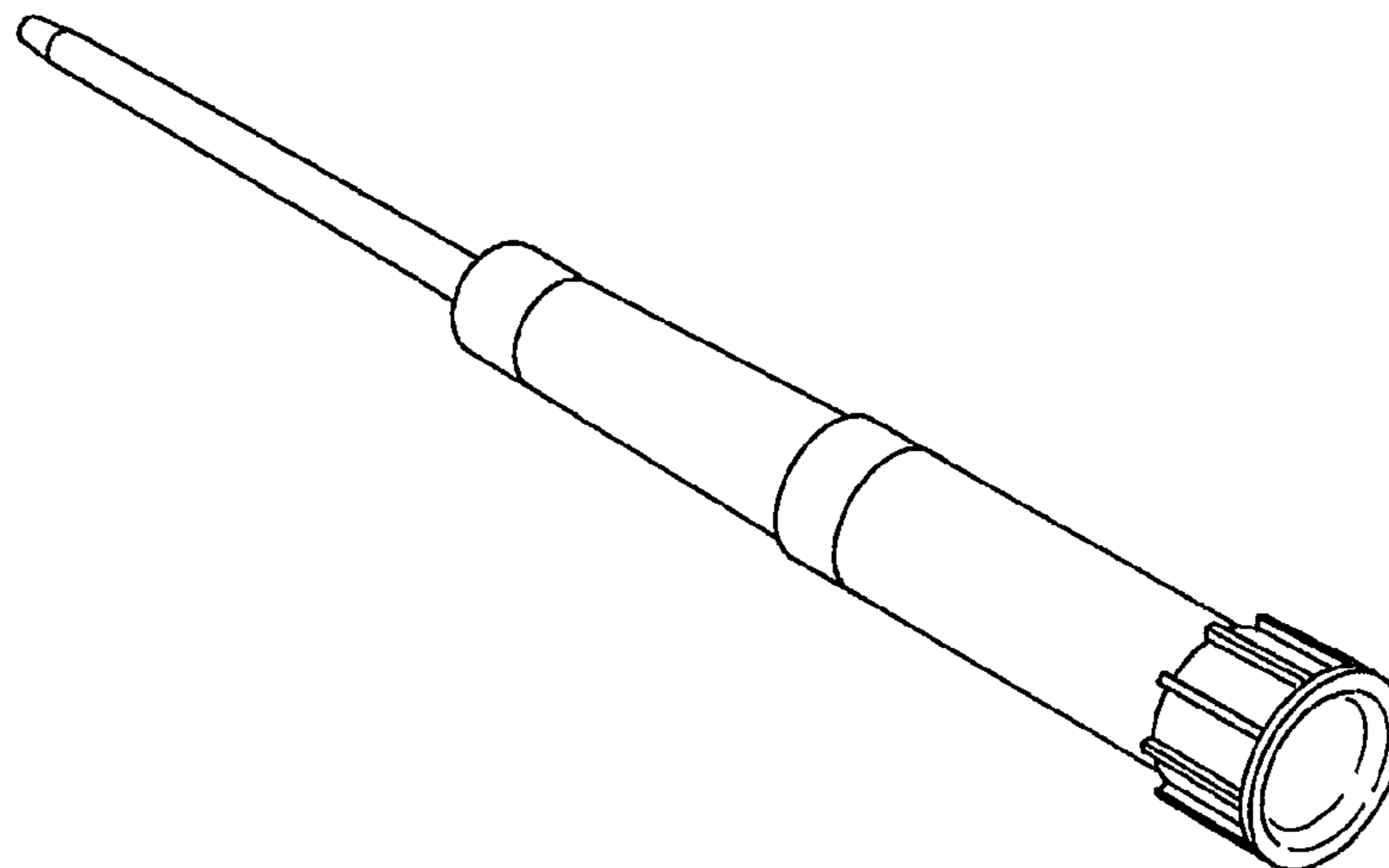
U.S. PATENT DOCUMENTS

D384,418	S	*	9/1997	Torti et al.	.....	D24/222
D414,562	S	*	9/1999	Tajima	.....	D24/222
D416,625	S	*	11/1999	Torti et al.	.....	D24/222
D560,815	S		1/2008	Tajima		
D561,347	S		2/2008	Tajima		
D561,906	S		2/2008	Tajima		
D565,192	S		3/2008	Tajima		
D569,989	S		5/2008	Tajima		
2003/0031542	A1	*	2/2003	Hamel et al.	.....	414/331.05
2005/0124058	A1		6/2005	Tajima		
2005/0130325	A1		6/2005	Oshida et al.		
2008/0193995	A1		8/2008	Tajima		

**DESCRIPTION**

FIG. 1 is a perspective view of the carrier enclosing tip showing my new design;  
FIG. 2 is a front elevational view thereof, the rear elevational view being a mirror image;  
FIG. 3 is a top plan view thereof, the bottom plan view being the same;  
FIG. 4 is a left side elevational view thereof;  
FIG. 5 is a right side elevational view thereof;  
FIG. 6 is a sectional view thereof, taken along line 6—6 of FIG. 2; and,  
FIG. 7 is an enlarged in scale sectional view thereof, taken along line 7—7 of FIG. 2.

**1 Claim, 3 Drawing Sheets**



FOREIGN PATENT DOCUMENTS

JP	05-506930	10/1993
JP	08-062225	3/1996
JP	09-262084	10/1997
JP	10-117764	5/1998
JP	10-323177	12/1998
JP	2000-241436	9/2000
JP	2000-346842	12/2000
JP	2001-002695	1/2001
JP	2001-074756	3/2001
JP	2001-509256	7/2001
JP	2002-102681	4/2002
JP	2002-513936	5/2002
JP	2002-189033	7/2002
JP	2002-191351	7/2002
JP	2003-107083	4/2003
JP	2003185663	7/2003
JP	2003-531381	10/2003
JP	2003-339374	12/2003
JP	2004020287	1/2004
JP	2004-033907	2/2004
JP	2004-061397	2/2004
JP	2004-294316	10/2004
JP	2004-359201	12/2004
JP	2004-359202	12/2004
JP	2005-030906	2/2005
JP	2005172699	6/2005
JP	2005-278437	10/2005
JP	WO 2006/062236	6/2006
JP	2006-24502	9/2006
JP	2006-24503	9/2006
JP	2006-024504	9/2006
JP	2006-24505	9/2006
JP	2006-24527	9/2006
WO	WO 00/67893	11/2000
WO	WO 03/004160	1/2003
WO	WO 2003/060115	7/2003
WO	WO-03060115	7/2003
WO	WO 2006-038643	4/2006
WO	WO 2006/062235	6/2006

OTHER PUBLICATIONS

International Searching Authority "International Search Report," Jan. 24, 2006, 2 pages, International Serial No. PCT/JP2005/018419, Japanese Patent Office.

International Searching Authority "International Search Report," Feb. 20, 2006, 4 pages, International Serial No. PCT/JP2005/022775, Japanese Patent Office.

International Searching Authority "Written Opinion," Feb. 28, 2006, 5 pages, International Serial No. PCT/JP2005/022775, Japanese Patent Office.

International Searching Authority "Written Opinion," Mar. 7, 2006, 5 pages, International Serial No. PCT/JP2005/022776, Japanese Patent Office.

International Searching Authority "International Search Report," Mar. 7, 2006, 4 pages, International Serial No. PCT/JP2005/022776, Japanese Patent Office.

International Preliminary Examination Authority, "International Preliminary Examination Report on Patentability," Oct. 3, 2006, 13 pages, International Serial No. PCT/JP2005/018419, Japanese Patent Office.

International Preliminary Examination Authority, "International Preliminary Examination Report on Patentability," Nov. 29, 2006, 8 pages, International Serial No. PCT/JP2005/022776, Japanese Patent Office.

International Preliminary Examination Authority, "International Preliminary Examination Report on Patentability," Dec. 12, 2006, 11 pages, International Serial No. PCT/JP2005/022775, Japanese Patent Office.

Mark Cavanna, "Notice of Allowability," Aug. 13, 2007, 5 pages, U.S. Appl. No. 29/277,775, U.S. Patent and Trademark Office.

Mark Cavanna, "Notice of Allowance and Fee(s) Due," Aug. 30, 2007, 3 pages, U.S. Appl. No. 29/277,775, U.S. Patent and Trademark Office.

Mark Cavanna, "Supplemental Notice of Allowability," Nov. 21, 2007, 4 pages, U.S. Appl. No. 29,277,775, U.S. Patent and Trademark Office.

Mark Cavanna, "Notice of Allowability," Aug. 13, 2007, 7 pages, U.S. Appl. No. 29/277,777, U.S. Patent and Trademark Office.

Mark Cavanna, "Notice of Allowance and Fee(s) Due," Aug. 30, 2007, 3 pages, U.S. Appl. No. 29/277,777, U.S. Patent and Trademark Office.

Mark Cavanna, "Supplemental Notice of Allowability," Nov. 21, 2007, 5 pages, U.S. Appl. No. 29,277,777, U.S. Patent and Trademark Office.

Mark Cavanna, "Notice of Allowability," Aug. 13, 2007, 7 pages, U.S. Appl. No. 29/277,778, U.S. Patent and Trademark Office.

Mark Cavanna, "Notice of Allowance and Fee(s) Due," Aug. 31, 2007, 3 pages, U.S. Appl. No. 29/277,778, U.S. Patent and Trademark Office.

Mark Cavanna, "Supplemental Notice of Allowability," Nov. 21, 2007, 6 pages, U.S. Appl. No. 29/277,778, U.S. Patent and Trademark Office.

Mark Cavanna, "Notice of Allowability," Aug. 13, 2007, 7 pages, U.S. Appl. No. 29/277,779, U.S. Patent and Trademark Office.

Mark Cavanna, "Notice of Allowance and Fee(s) Due," Sep. 7, 2007, 3 pages, U.S. Appl. No. 29/277,779, U.S. Patent and Trademark Office.

Mark Cavanna, "Supplemental Notice of Allowability," Nov. 21, 2007, 7 pages, U.S. Appl. No. 29/277,779, U.S. Patent and Trademark Office.

Mark Cavanna, "Office Action," Aug. 22, 2007, 7 pages, U.S. Appl. No. 29/277,780, U.S. Patent and Trademark Office.

Mark Cavanna, "Notice of Allowability," Oct. 29, 2007, 1 page, U.S. Appl. No. 29/277,780, U.S. Patent and Trademark Office.

Mark Cavanna, "Notice of Allowance and Fee(s) Due," Dec. 10, 2007, 3 pages, U.S. Appl. No. 29/277,780, U.S. Patent and Trademark Office.

Mark Cavanna, "Supplemental Notice of Allowability," Feb. 8, 2008, 5 pages, U.S. Appl. No. 29/277,780, U.S. Patent and Trademark Office.

Japanese Patent Office, "International Search Report," International Patent Application No. PCT/JP2006/300064, Apr. 4, 2006, 7 pages.

International Searching Authority, "Written Opinion," Oct. 3, 2006, 3 pages, International Serial No. PCT/JP2006/317337.

International Searching Authority, "International Search report," Oct. 3, 2006, 2 pages, International Serial No. PCT/JP2006/317337.

International Preliminary Examination Authority, "International Preliminary Report on Patentability," 10 pages, Jan. 8, 2008, International Ser. No. PCT/JP2006/317337.

U.S. Appl. No. 11/664,980, filed Apr. 6, 2007 (Tajima).

U.S. Appl. No. 29/277,780, filed Mar. 9, 2007 (Tajima).

U.S. Appl. No. 11/792,783, filed Jun. 8, 2007 (Tajima).

U.S. Appl. No. 11/792,835, filed Jun. 8, 2007 (Tajima).

U.S. Appl. No. 11/794,828, filed Jul. 3, 2007 (Tajima).

\* cited by examiner

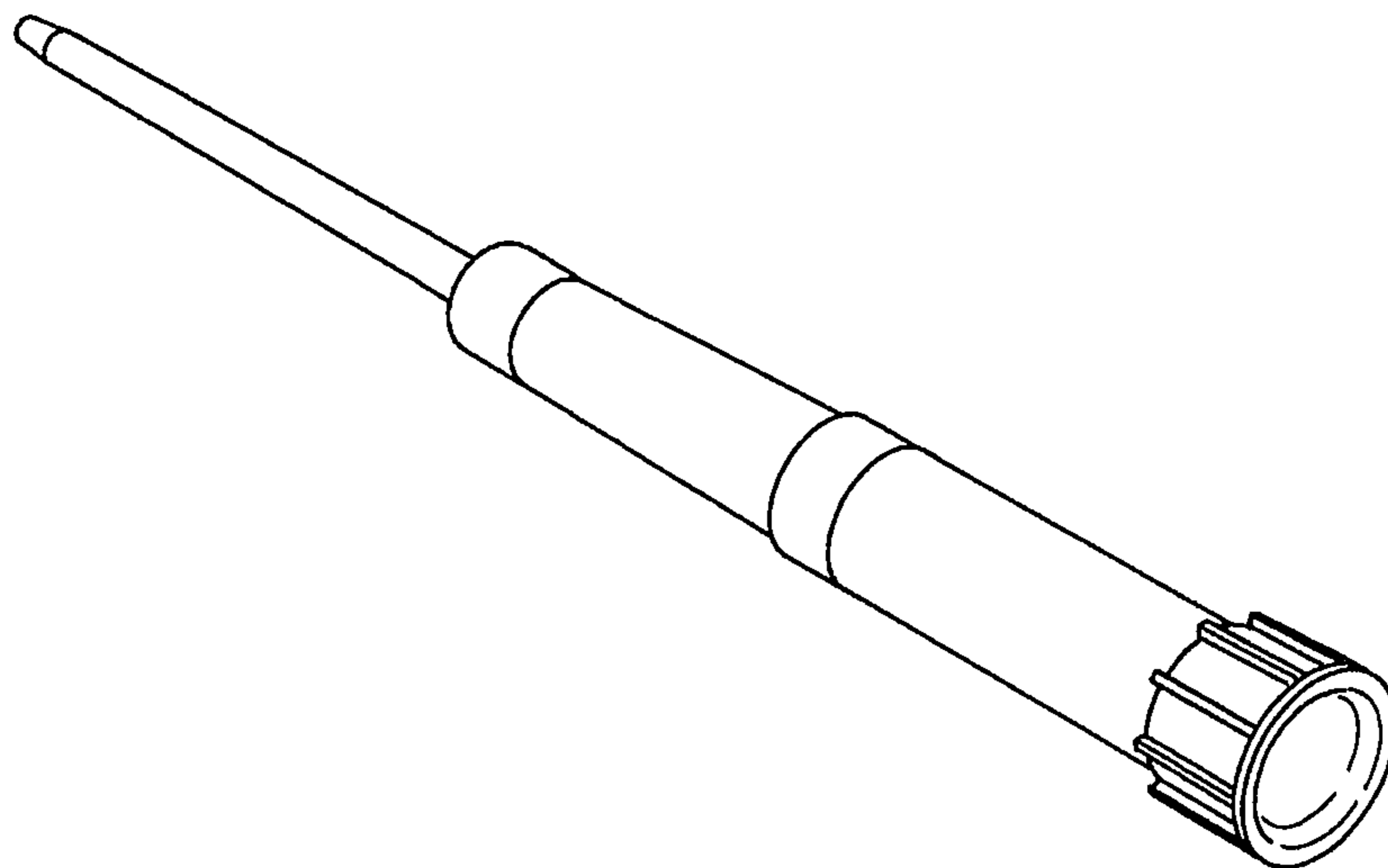


FIG. 1

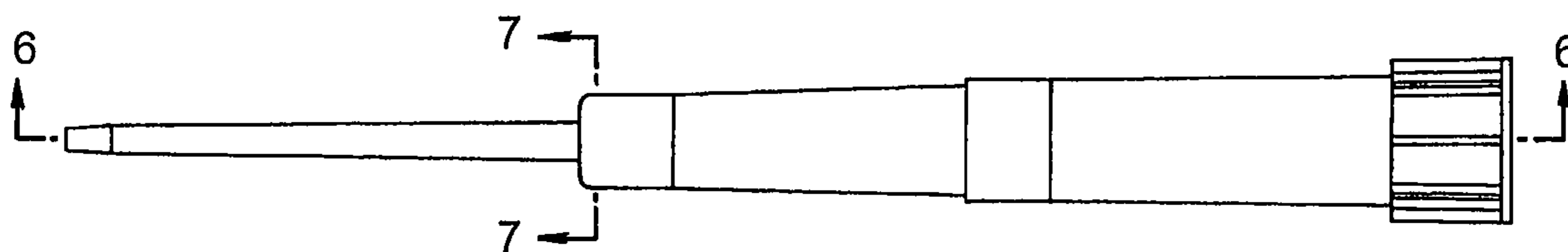


FIG. 2



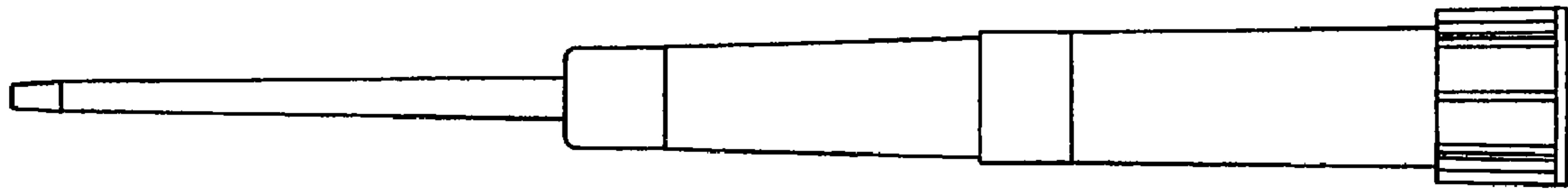


FIG. 3

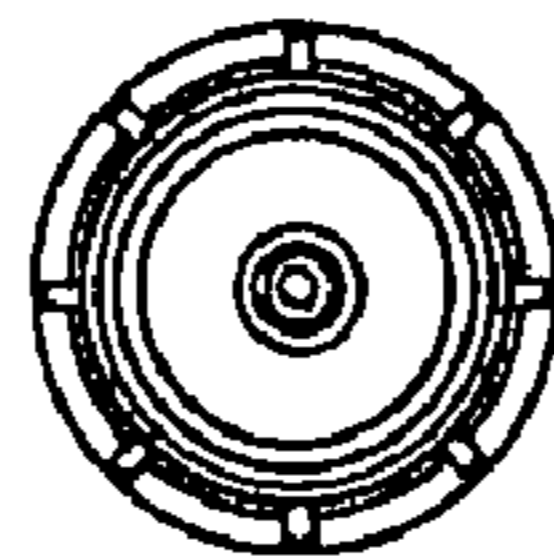


FIG. 4

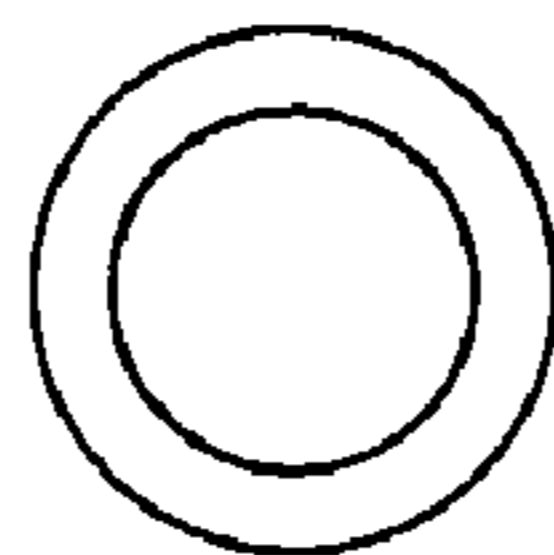


FIG. 5

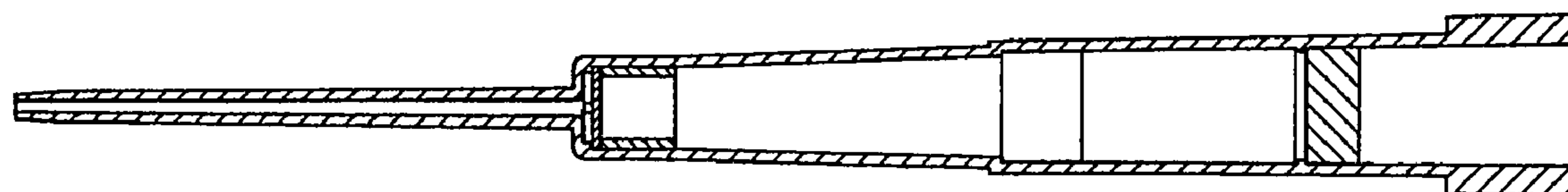


FIG. 6

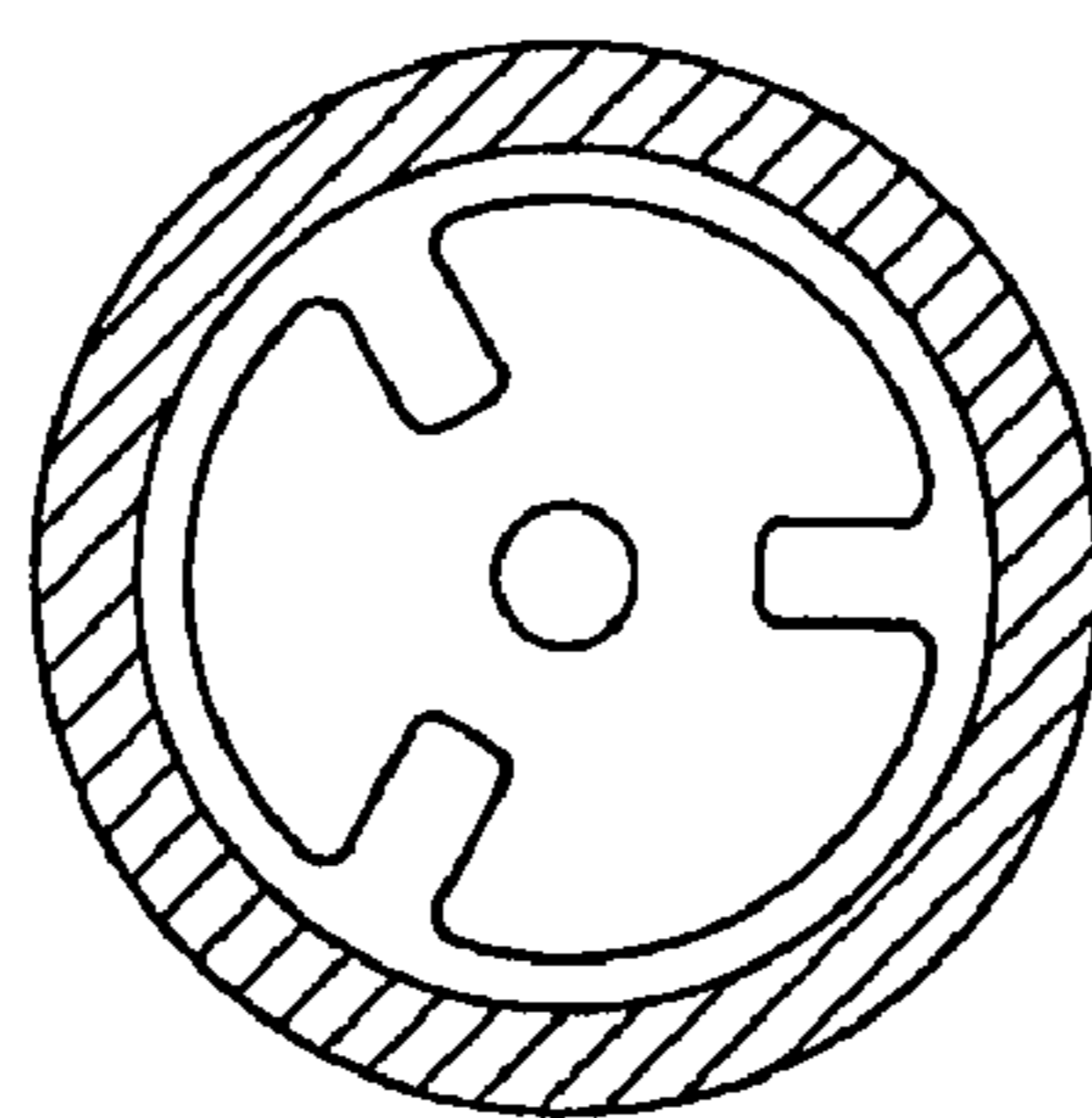


FIG. 7