



US00D601711S

(12) **United States Design Patent**  
**Lin**

(10) **Patent No.:** **US D601,711 S**

(45) **Date of Patent:** **\*\* Oct. 6, 2009**

(54) **DENTAL APPLIANCE SANITIZING DEVICE**

*Primary Examiner*—T. Chase Nelson

*Assistant Examiner*—Anhdao Doan

(75) **Inventor:** **Chih-Ju Lin**, Taishan Township, Taipei County (TW)

(74) *Attorney, Agent, or Firm*—John F. Letchford; Archer & Greiner, P.C.

(73) **Assignees:** **Brain-Pad, Inc.**, Conshohocken, PA (US); **Shun Hsiang Plastic Co., Ltd.**, Taipei (TW)

(57) **CLAIM**

The ornamental design for a dental appliance sanitizing device, as shown and described.

(\*\*) **Term:** **14 Years**

(21) **Appl. No.:** **29/328,481**

**DESCRIPTION**

(22) **Filed:** **Nov. 25, 2008**

(51) **LOC (9) Cl.** ..... **24-01**

FIG. 1 is a perspective view of a first embodiment of a dental appliance sanitizing device showing my new design;

(52) **U.S. Cl.** ..... **D24/217**

FIG. 2 is a top plan view thereof;

(58) **Field of Classification Search** ..... D24/216–226;

FIG. 3 is a bottom plan view thereof;

422/99, 102, 26, 291, 292, 295–297, 299;

FIG. 4 is a right side elevational view thereof;

D9/503, 504, 529, 530, 516, 522, 549; D3/203.1–203.8;

FIG. 5 is a left side elevational view thereof;

435/288.1, 304.1; 436/810; D32/1; D28/73

FIG. 6 is a rear elevational view thereof;

See application file for complete search history.

FIG. 7 is a front elevational view thereof;

(56) **References Cited**

FIG. 8 is a perspective view of a second embodiment of a dental appliance sanitizing device showing my new design;

**U.S. PATENT DOCUMENTS**

FIG. 9 is a top plan view thereof;

D200,346 S \* 2/1965 Clecone ..... D24/217

FIG. 10 is a bottom plan view thereof;

D256,392 S \* 8/1980 Thomas et al. .... D24/218

FIG. 11 is a right side elevational view thereof;

D257,486 S \* 11/1980 Thomas ..... D24/218

FIG. 12 is a left side elevational view thereof;

D257,488 S \* 11/1980 Thomas et al. .... D24/218

FIG. 13 is a rear elevational view thereof; and,

D257,790 S \* 1/1981 Kesling ..... D24/227

FIG. 14 is a front elevational view thereof.

D315,039 S \* 2/1991 Wortham ..... D32/1

The broken lines in the drawing views are included for the purpose of illustrating portions of the dental appliance sanitizing device that form no part of the claimed design.

D330,086 S \* 10/1992 Chen ..... D24/218

D341,233 S \* 11/1993 Muller ..... D32/1

D346,674 S \* 5/1994 Berghash ..... D28/73

5,520,892 A \* 5/1996 Bowen ..... 422/295

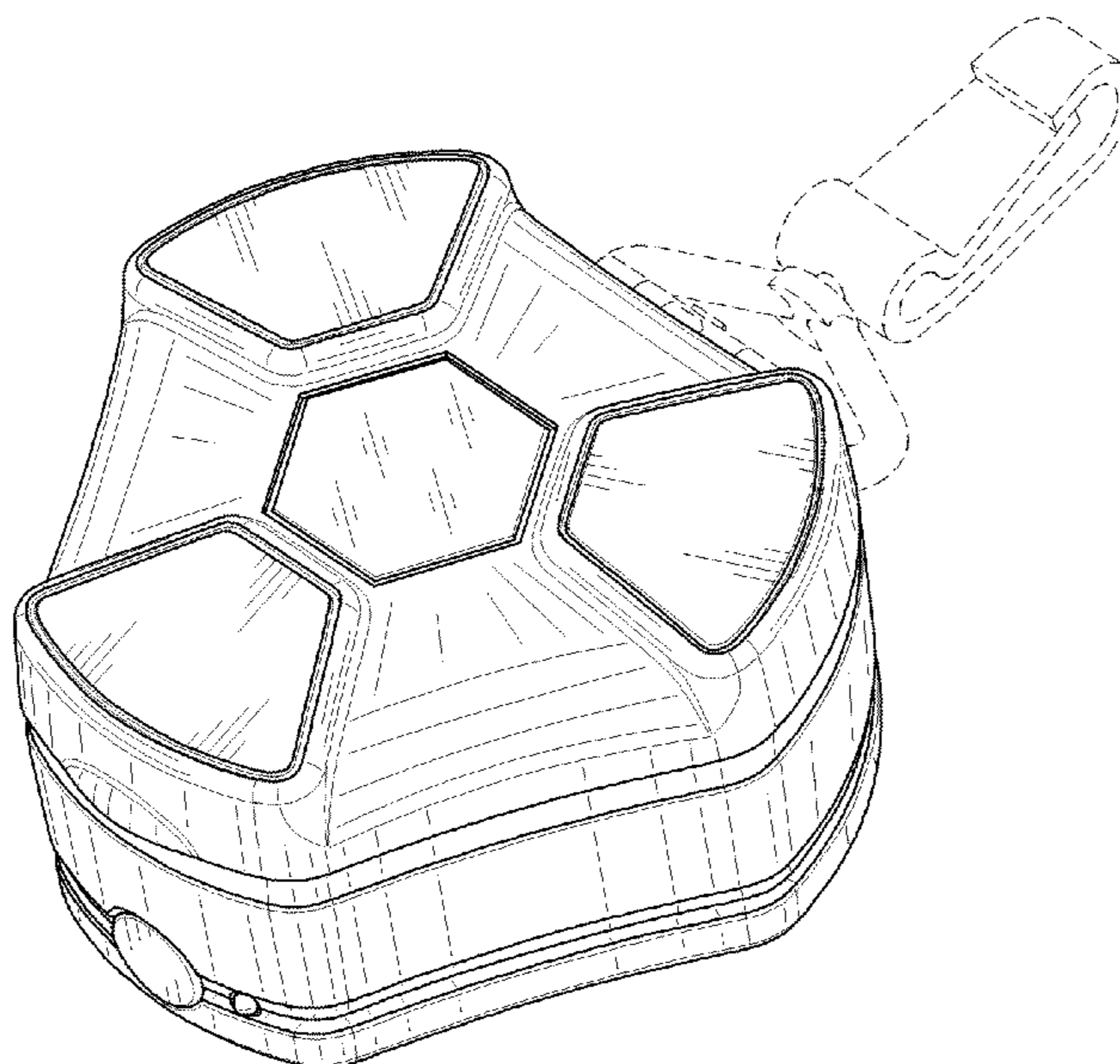
D427,686 S \* 7/2000 Butler et al. .... D3/203.1

D459,036 S \* 6/2002 Bredo et al. .... D32/1

D496,154 S \* 9/2004 Herman et al. .... D3/203.1

\* cited by examiner

**1 Claim, 8 Drawing Sheets**



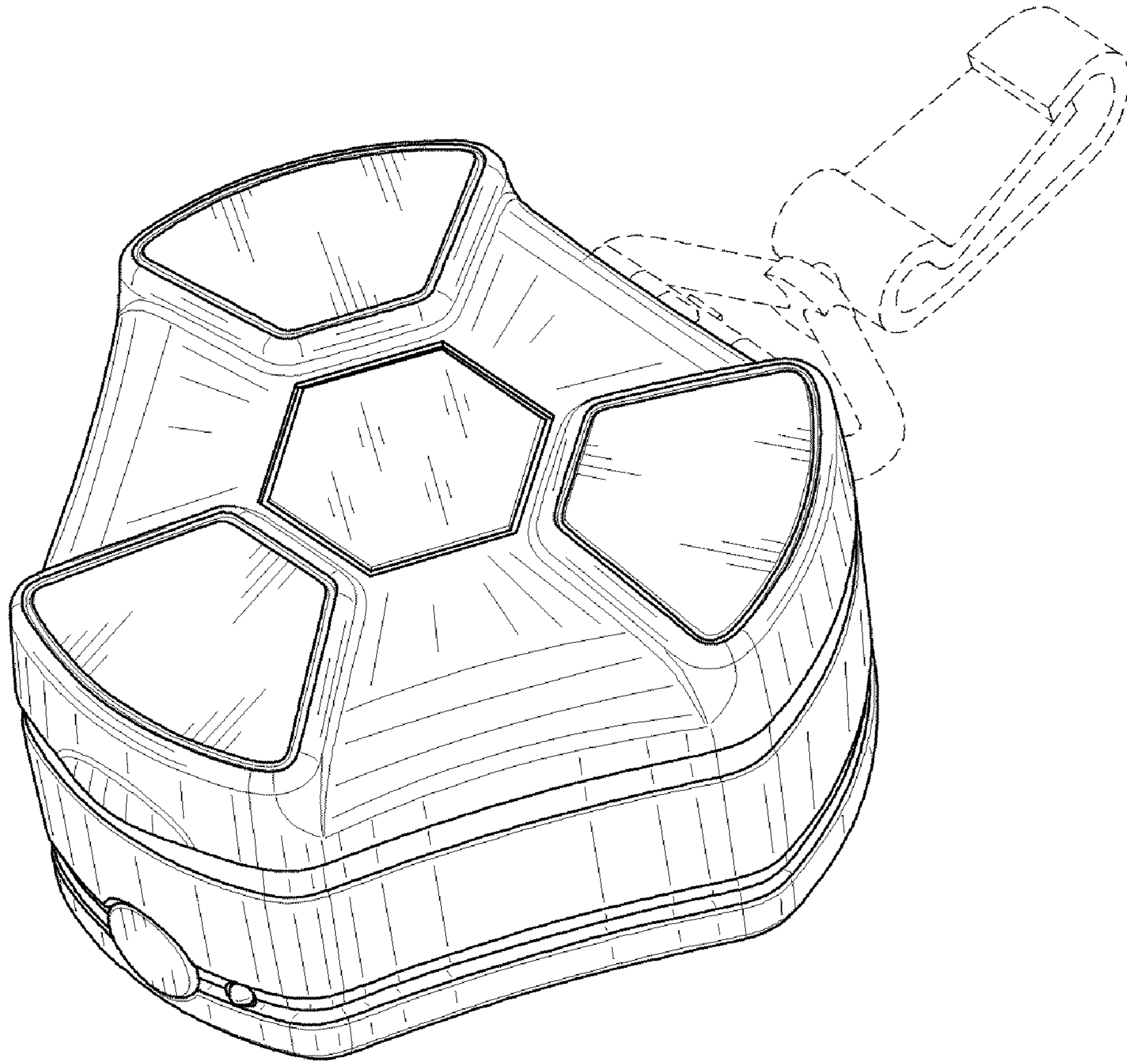


FIG. 1

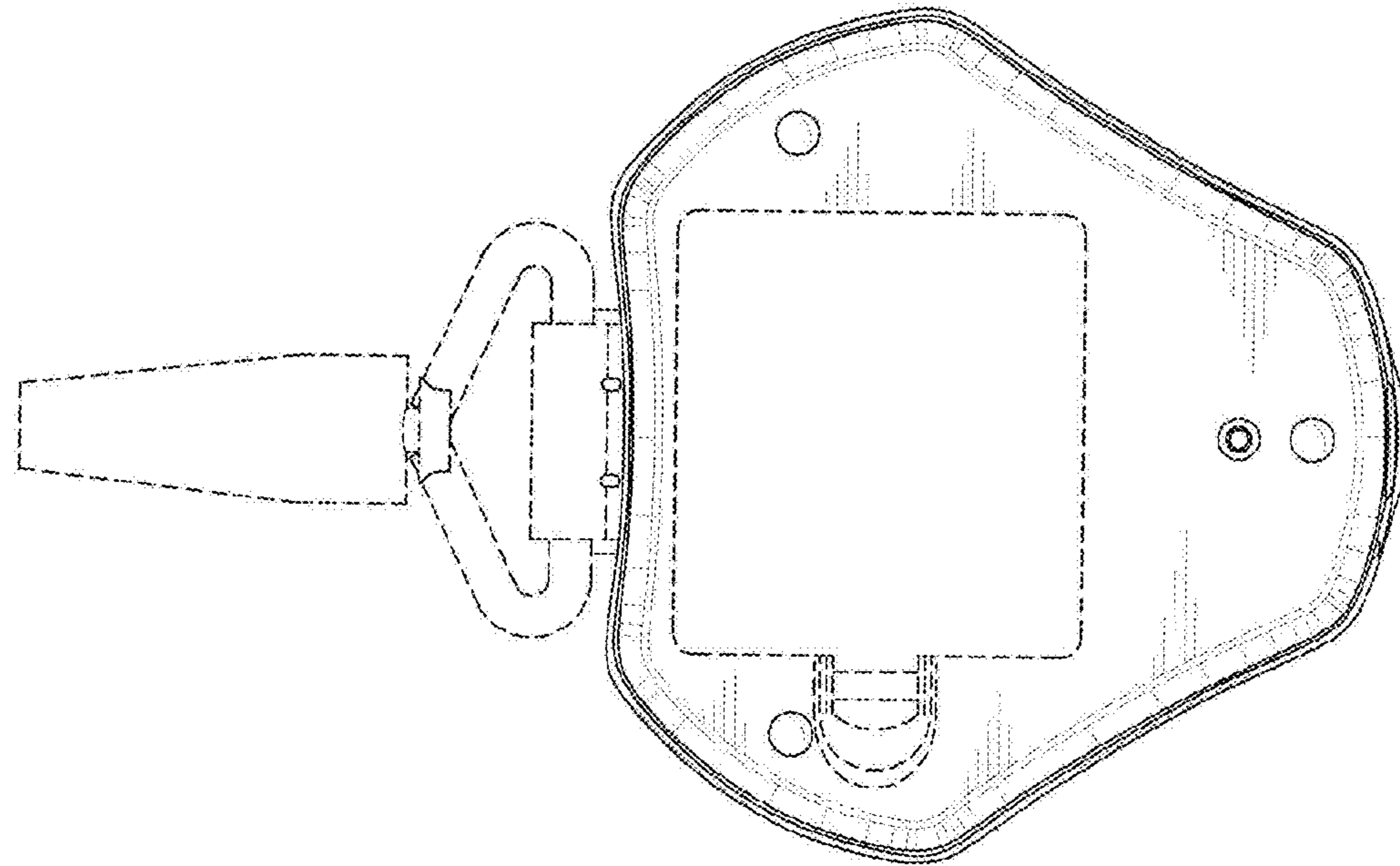


FIG. 3

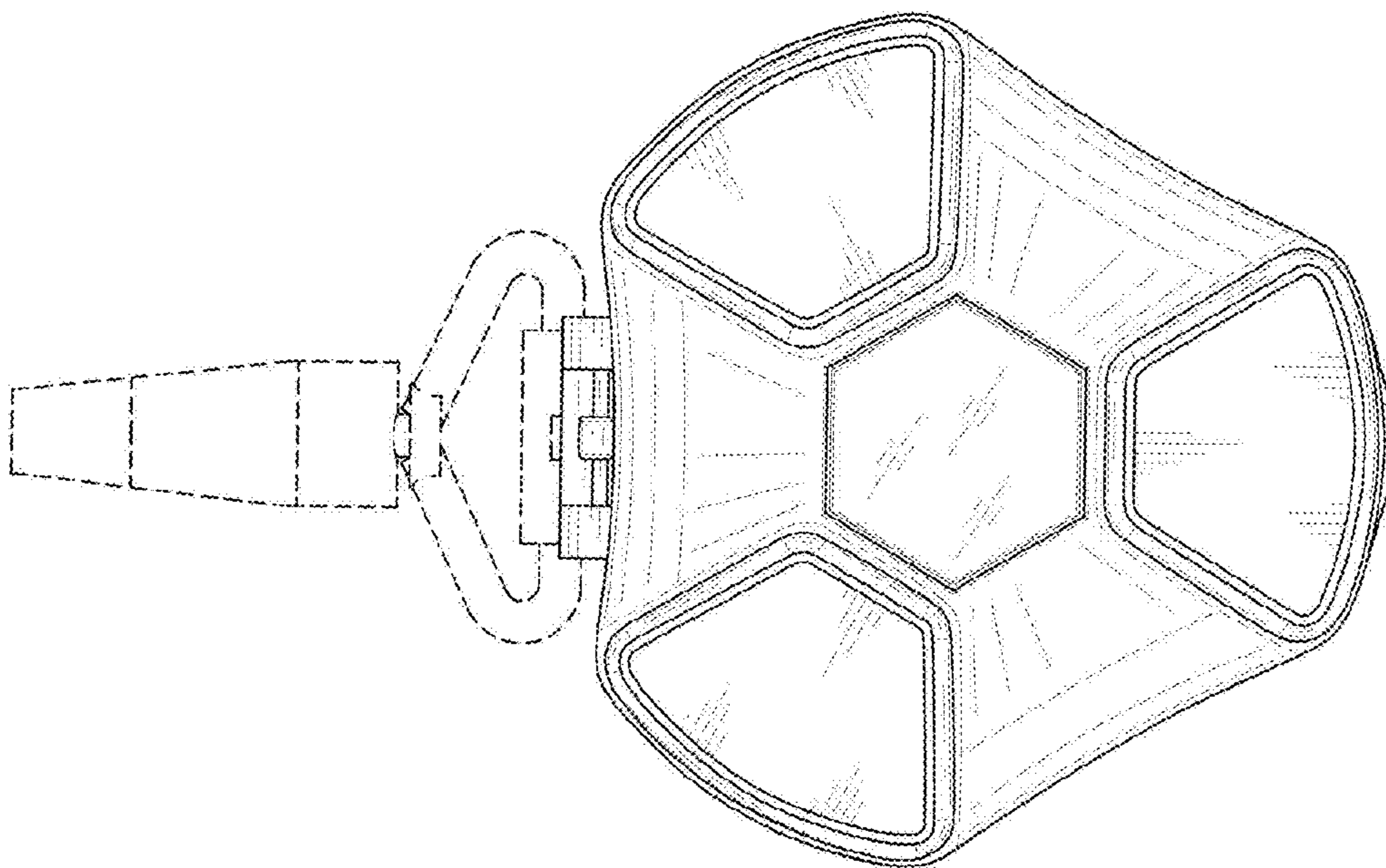


FIG. 2

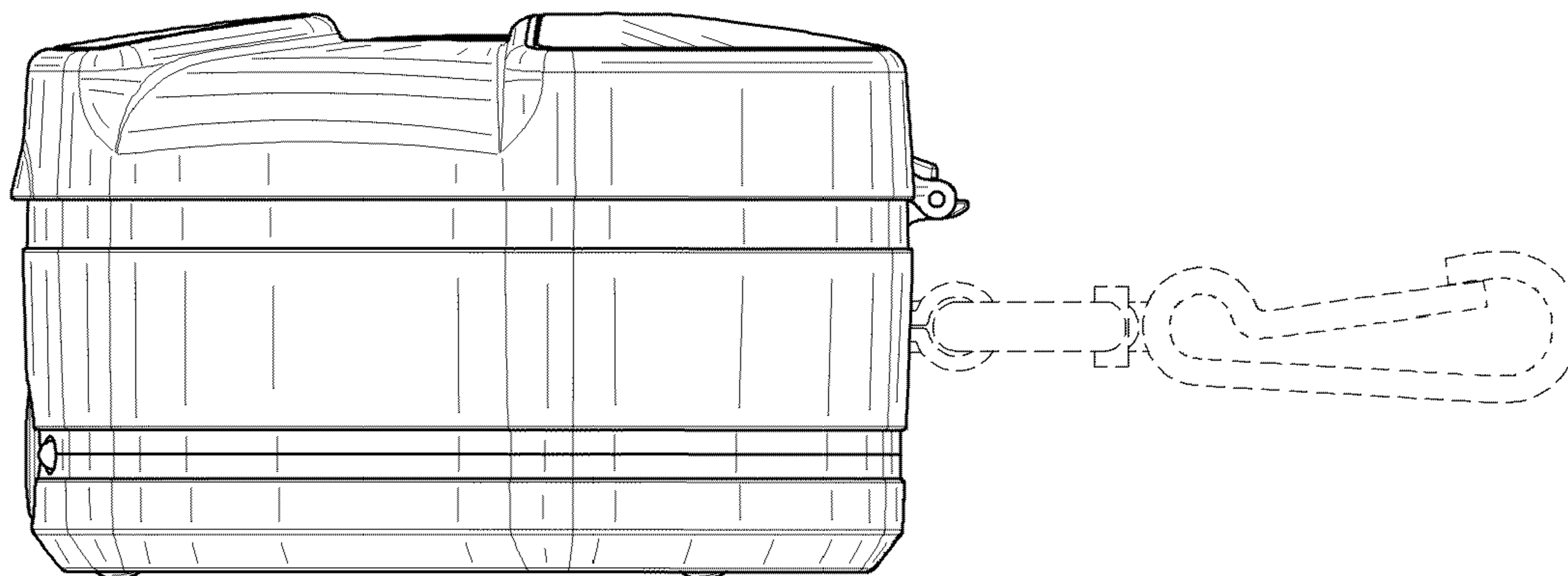


FIG. 4

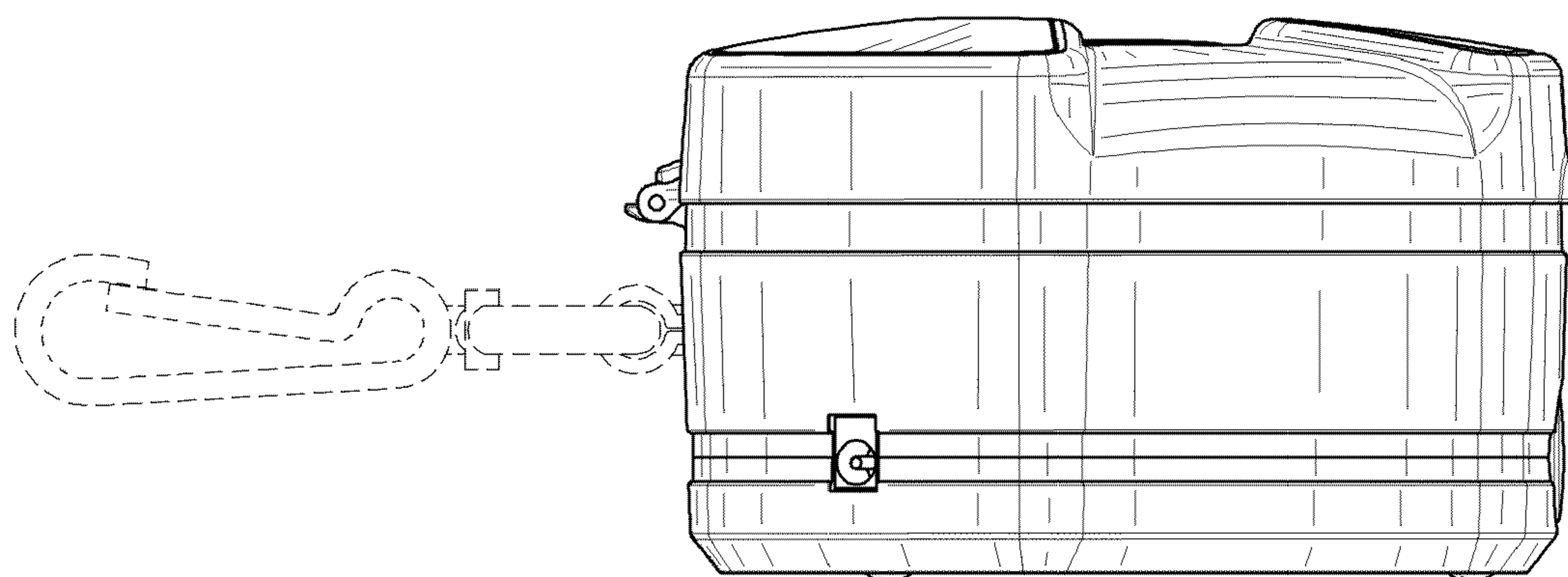


FIG. 5

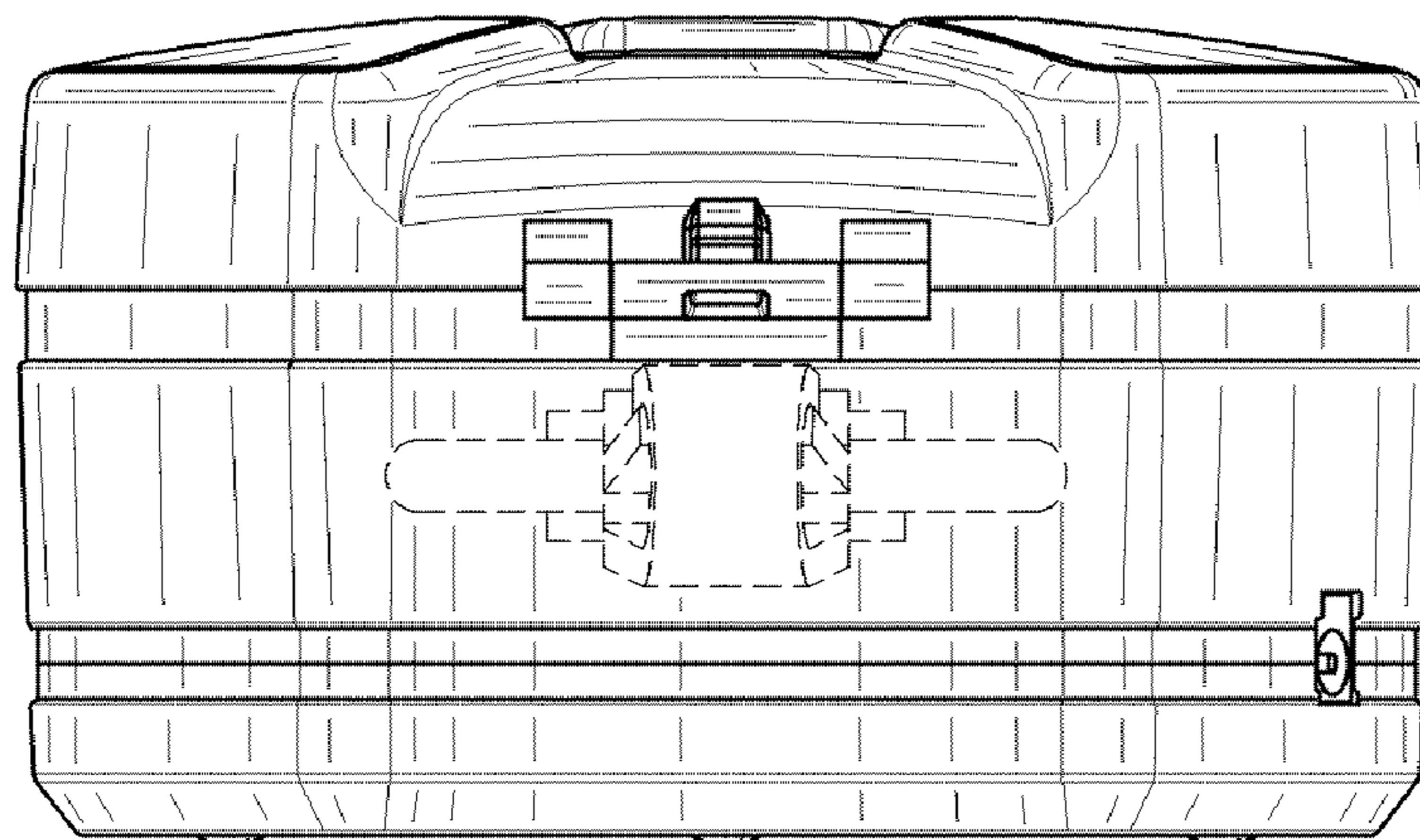


FIG. 6

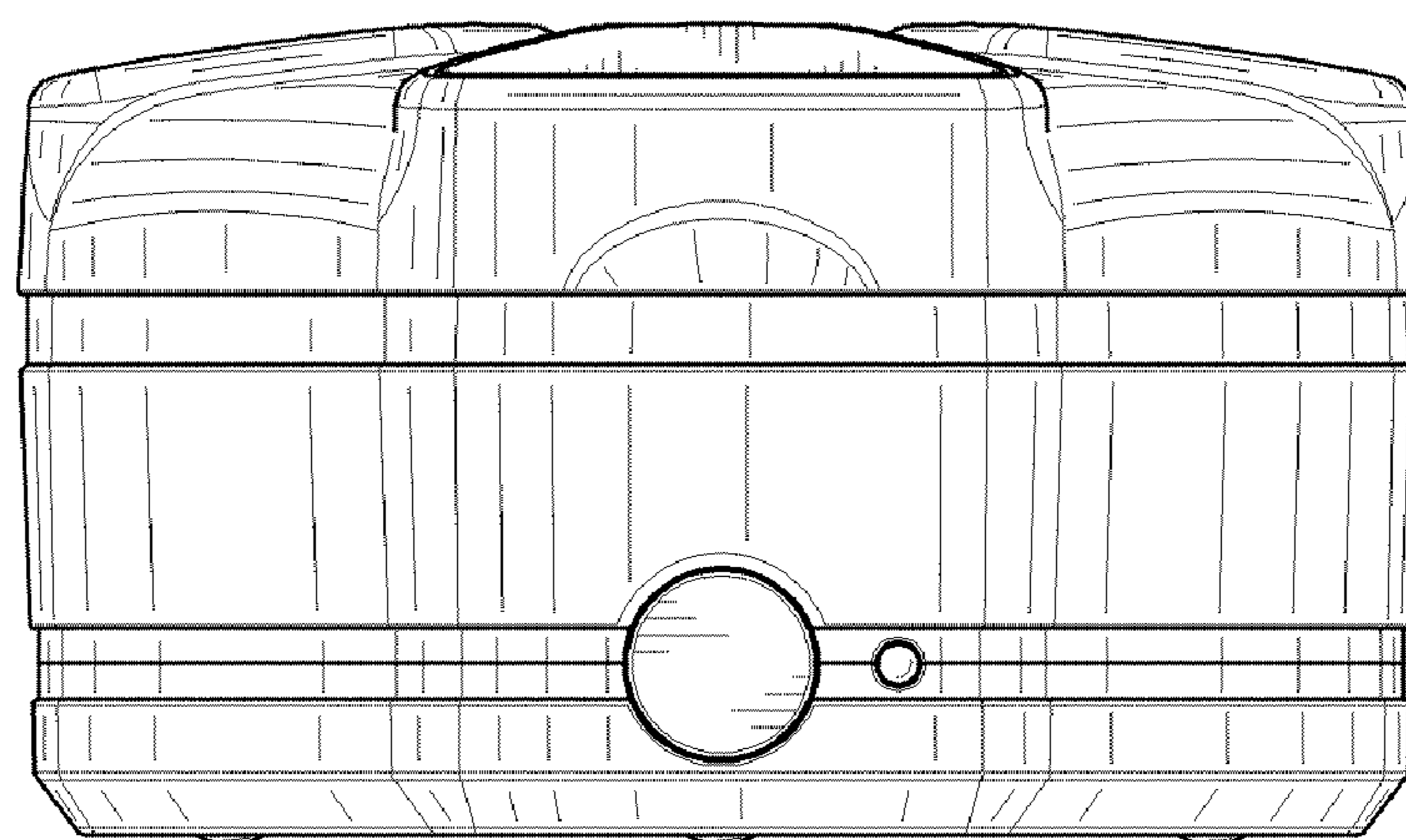


FIG. 7

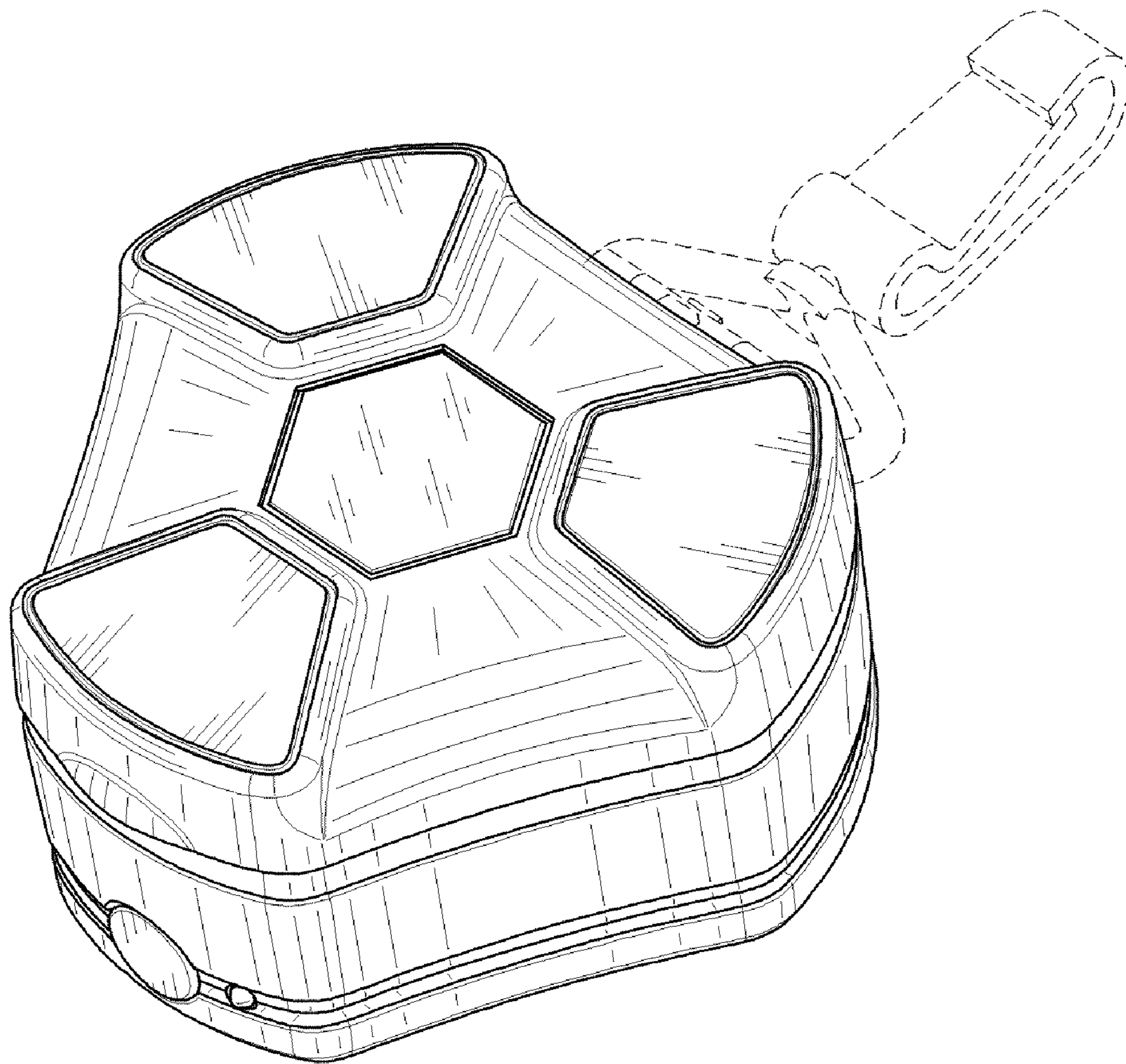


FIG. 8

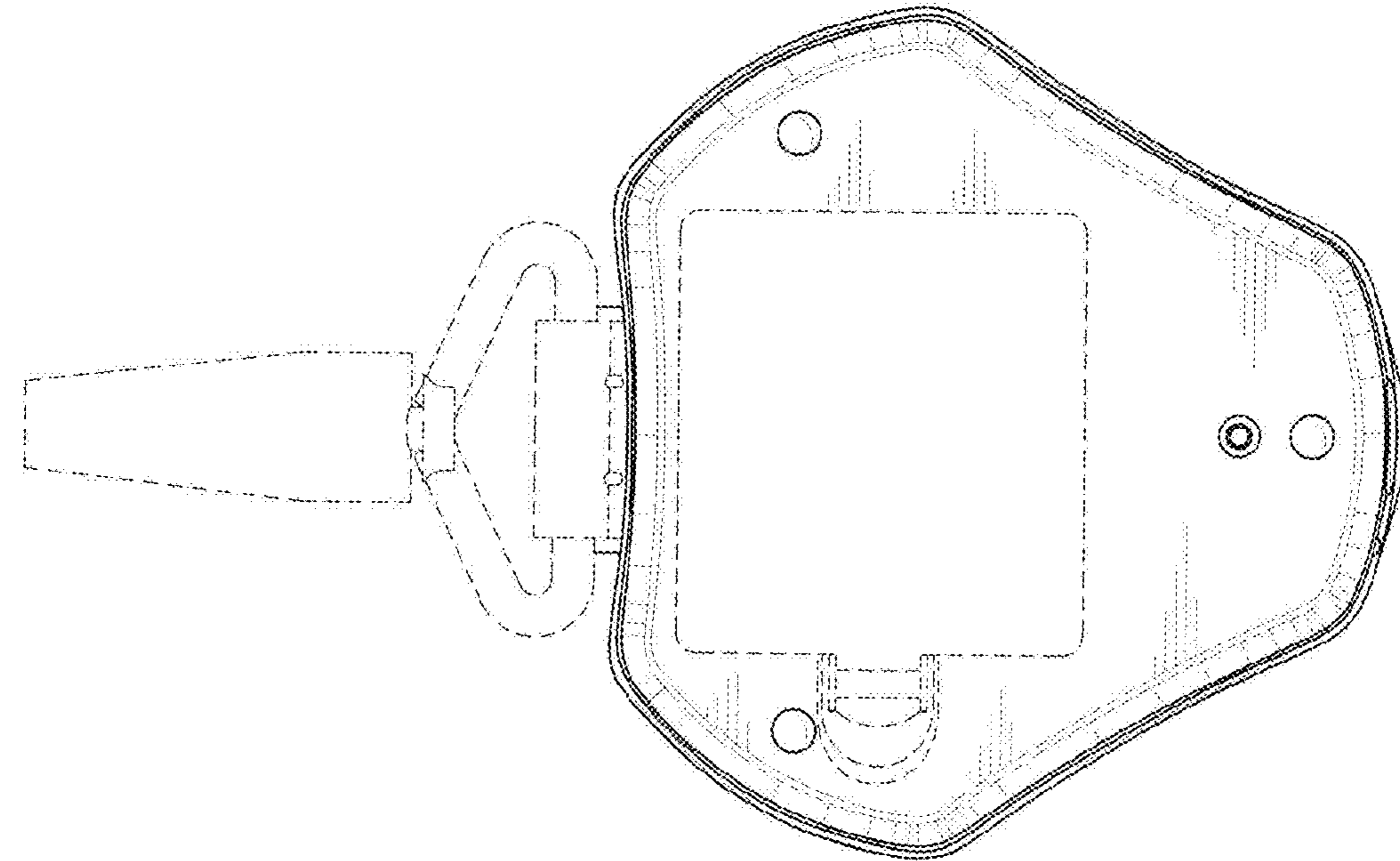


FIG. 10

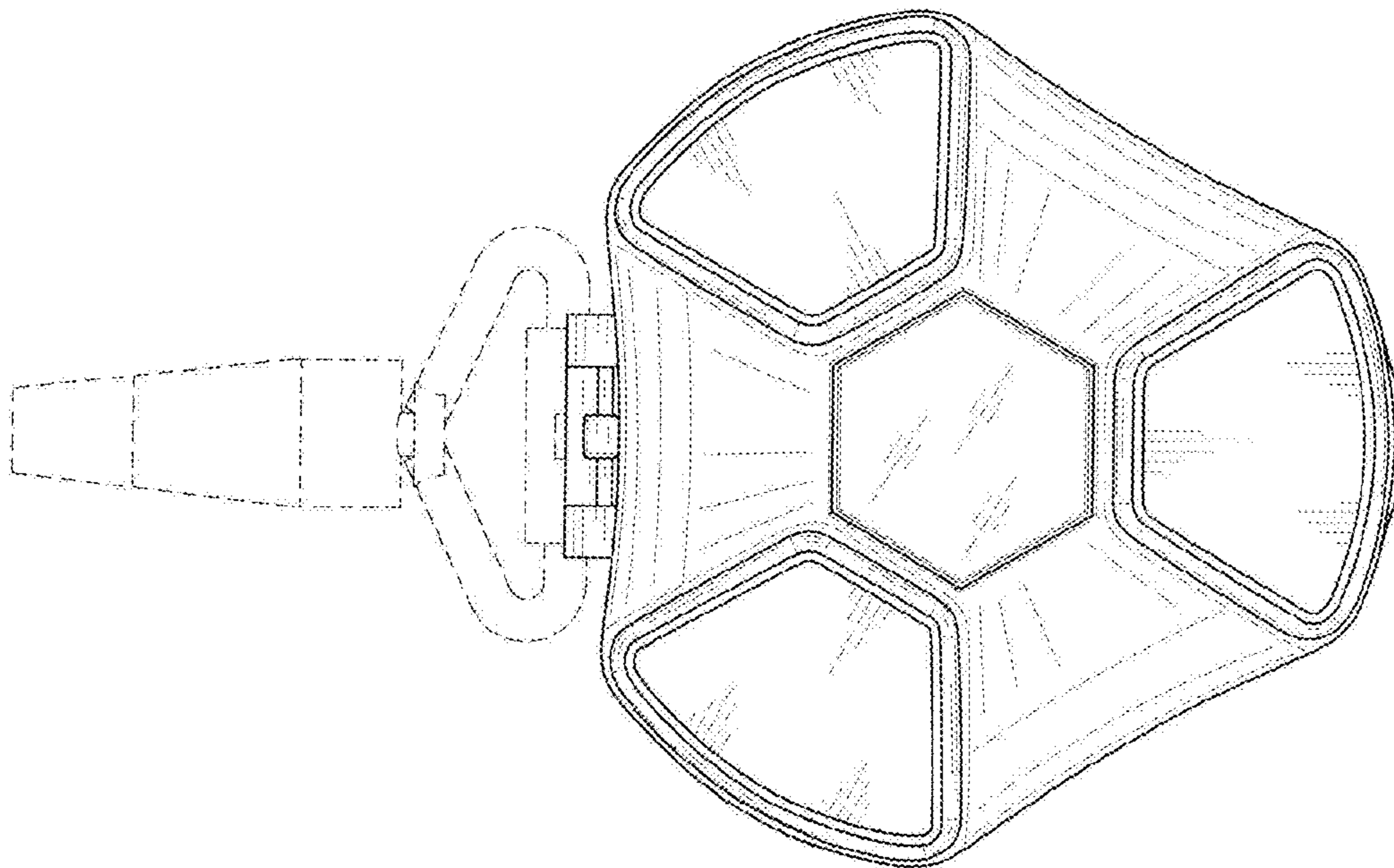


FIG. 9

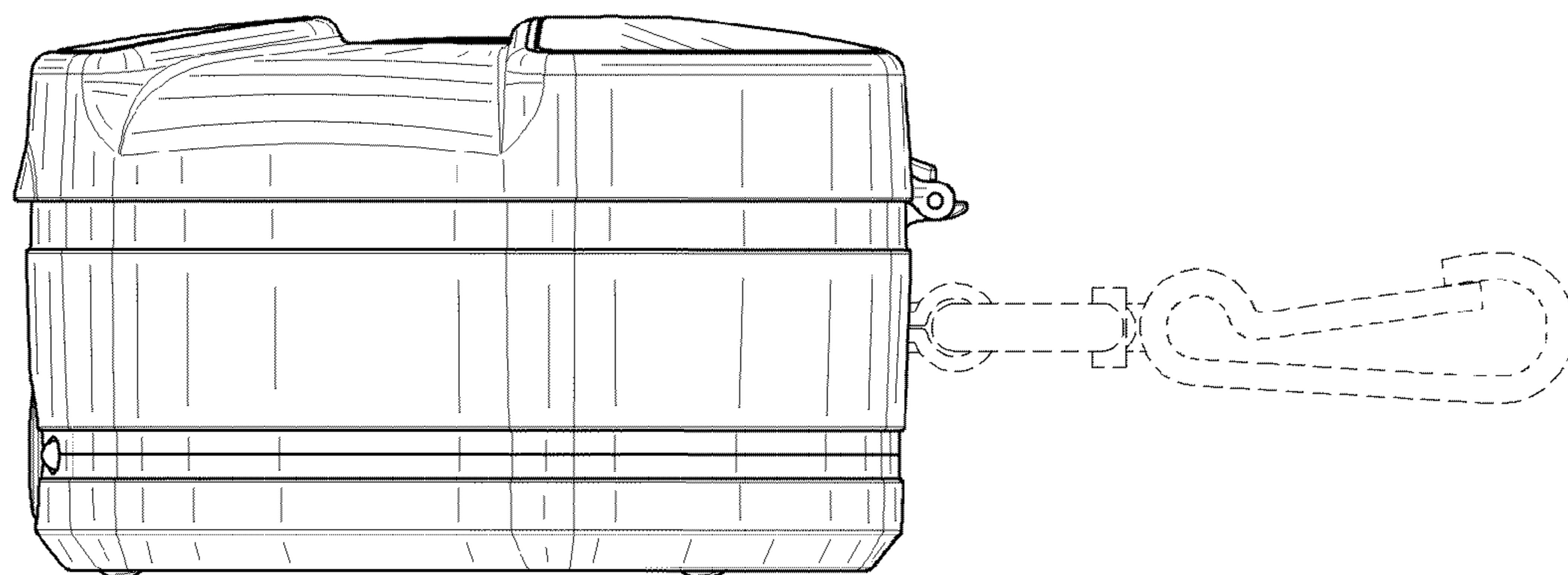


FIG. 11

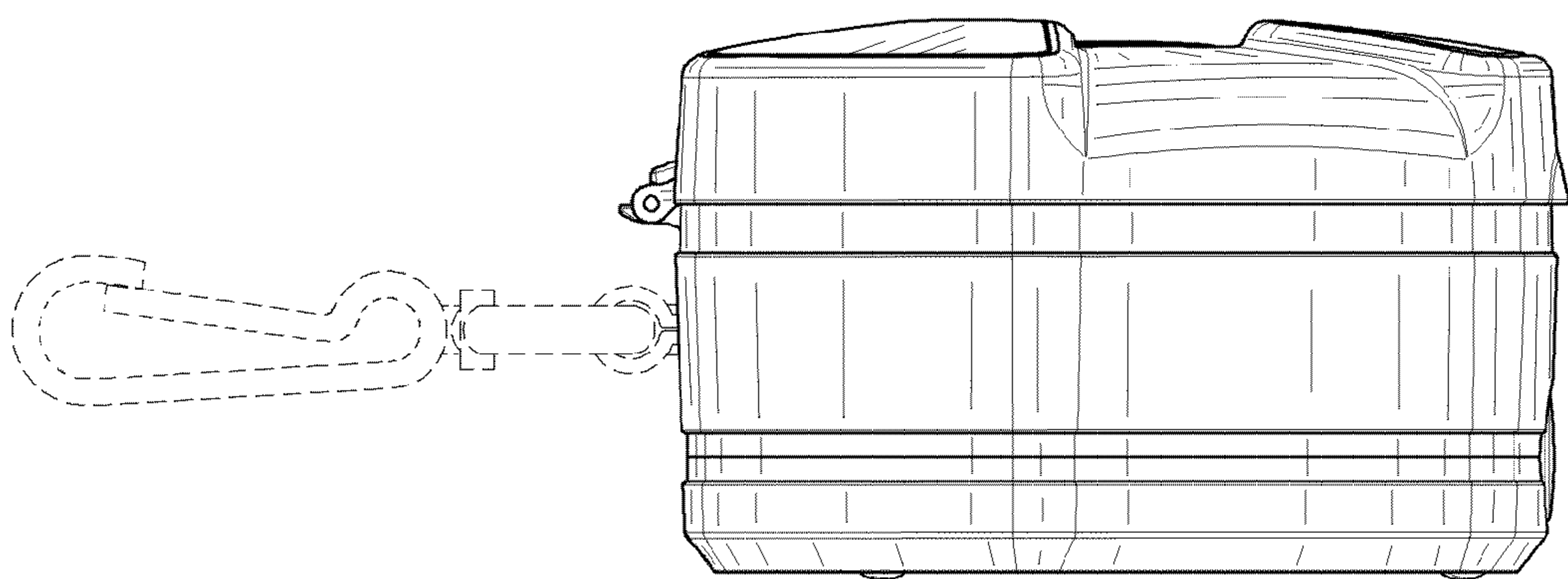


FIG. 12



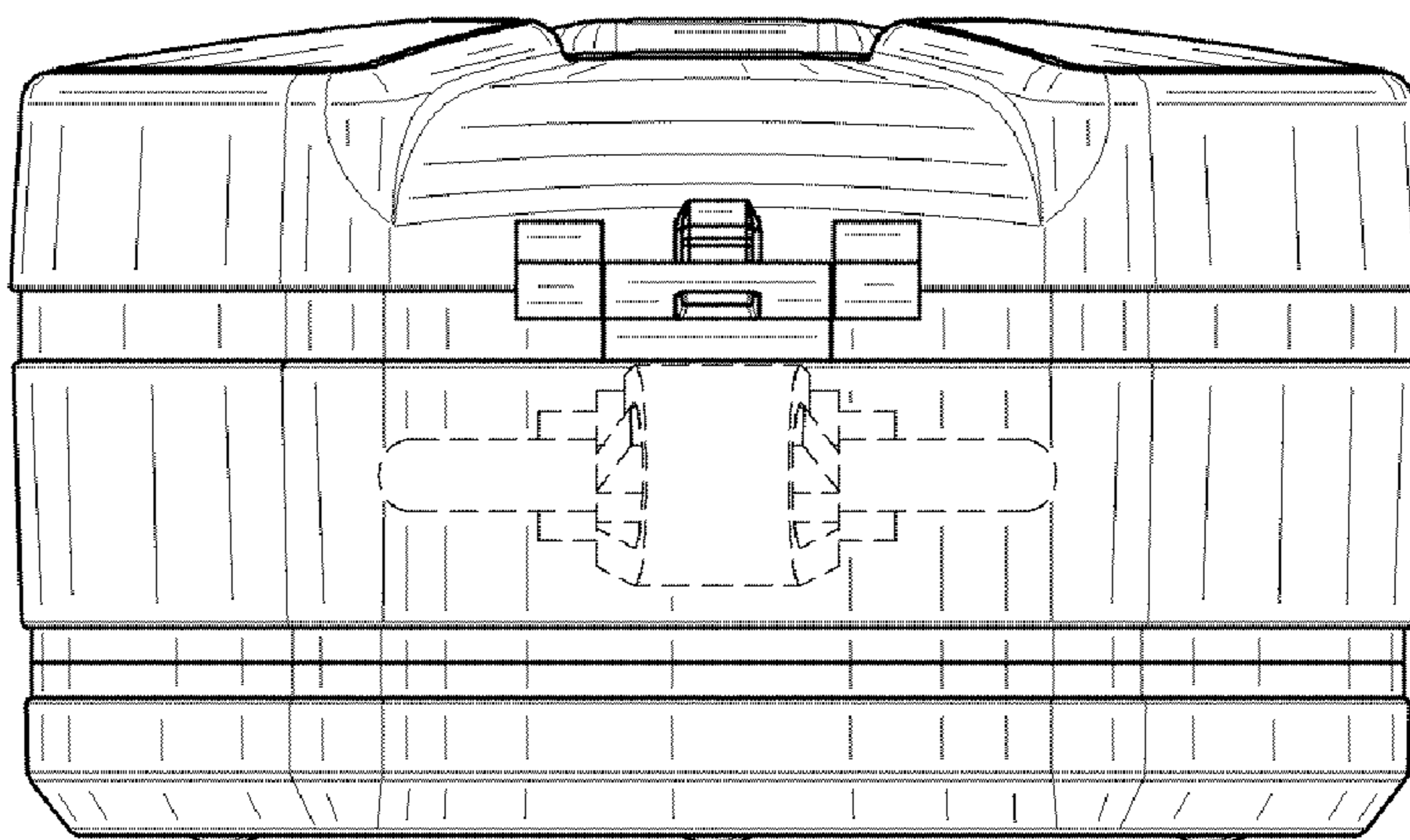


FIG. 13

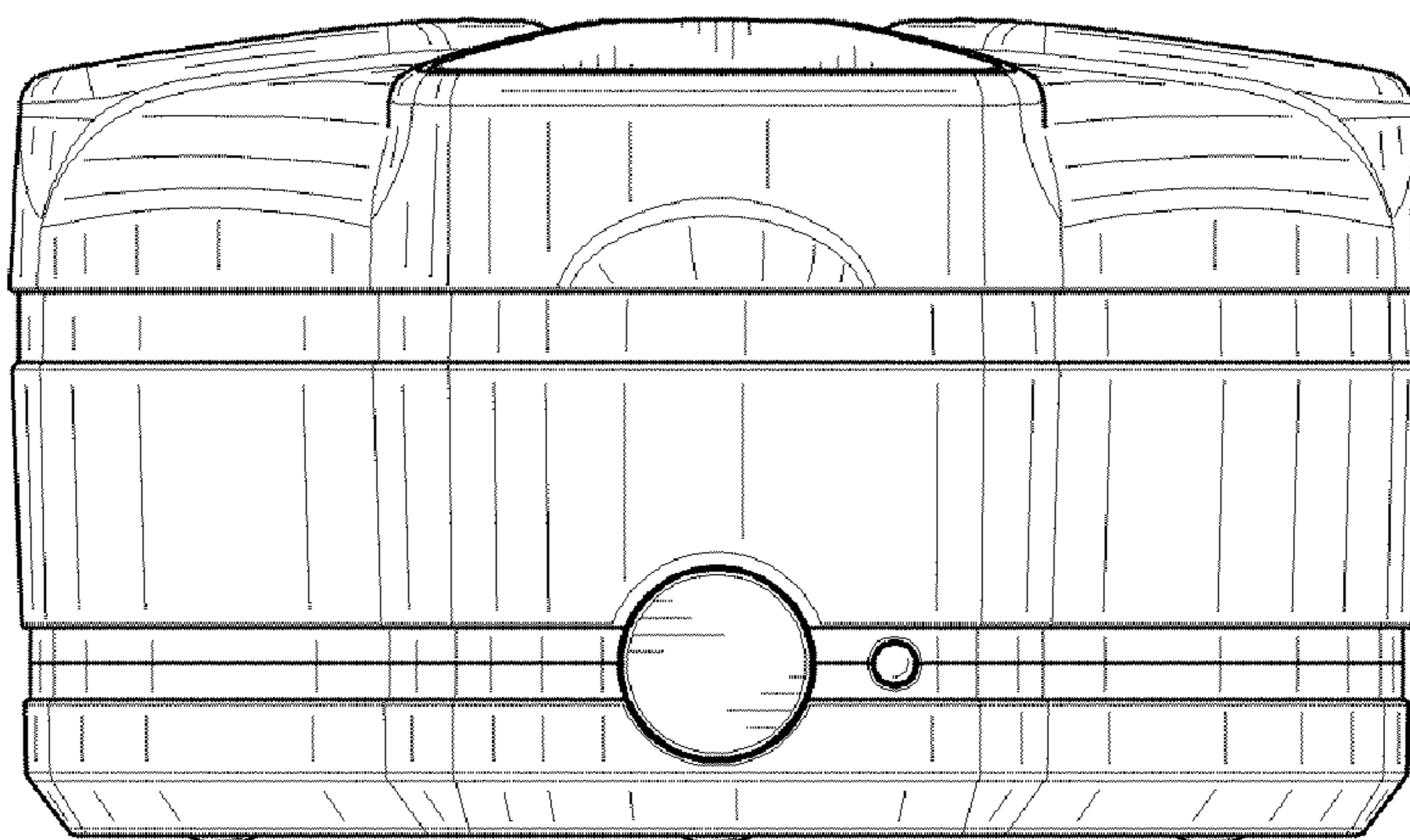


FIG. 14