



US00D601709S

(12) **United States Design Patent**
Roberts

(10) **Patent No.:** **US D601,709 S**

(45) **Date of Patent:** **** Oct. 6, 2009**

(54) **COMBINED RECHARGEABLE DUAL
FUNCTION THERAPEUTIC MASSAGER AND
PERSONAL GROOMING DEVICE AND
RECHARGING STAND**

Primary Examiner—Cathron C Brooks
Assistant Examiner—Melanie Levy
(74) *Attorney, Agent, or Firm*—Michael A. Marcelli

(76) Inventor: **Matthew A. Roberts**, 126 Wood Rd.,
Suite 114, Camarillo, CA (US) 93010

(57) **CLAIM**

The ornamental design for a combined rechargeable dual function therapeutic massager and personal grooming device and recharging stand, as shown and described.

(**) Term: **14 Years**

(21) Appl. No.: **29/321,040**

DESCRIPTION

(22) Filed: **Jul. 9, 2008**

(51) **LOC (9) Cl.** **28-03**

FIGS. 1 through 7 generally describe the combined rechargeable dual function therapeutic massager and personal grooming device and its recharging stand.

(52) **U.S. Cl.** **D24/215; D28/73**

FIG. 1 is a prospective view of a dual function therapeutic massager and personal grooming device and its recharging stand;

(58) **Field of Classification Search** D24/214,
D24/215, 200; D28/44, 45, 46, 47, 48, 49,
D28/50; 601/46, 67, 69, 70, 78, 80, 81, 84,
601/85, 89, 93, 134, 136

FIG. 2 is a front elevational view thereof;

See application file for complete search history.

FIG. 3 is rear elevational view thereof;

(56) **References Cited**

FIG. 4 is a right side elevational view thereof;

U.S. PATENT DOCUMENTS

FIG. 5 is a left side elevational view thereof;

D305,074 S * 12/1989 Mockovak D28/53

FIG. 6 is a top plan view thereof; and,

5,176,130 A * 1/1993 Kim 601/15

FIG. 7 is a bottom plan view thereof.

D366,703 S * 1/1996 Huen D24/214

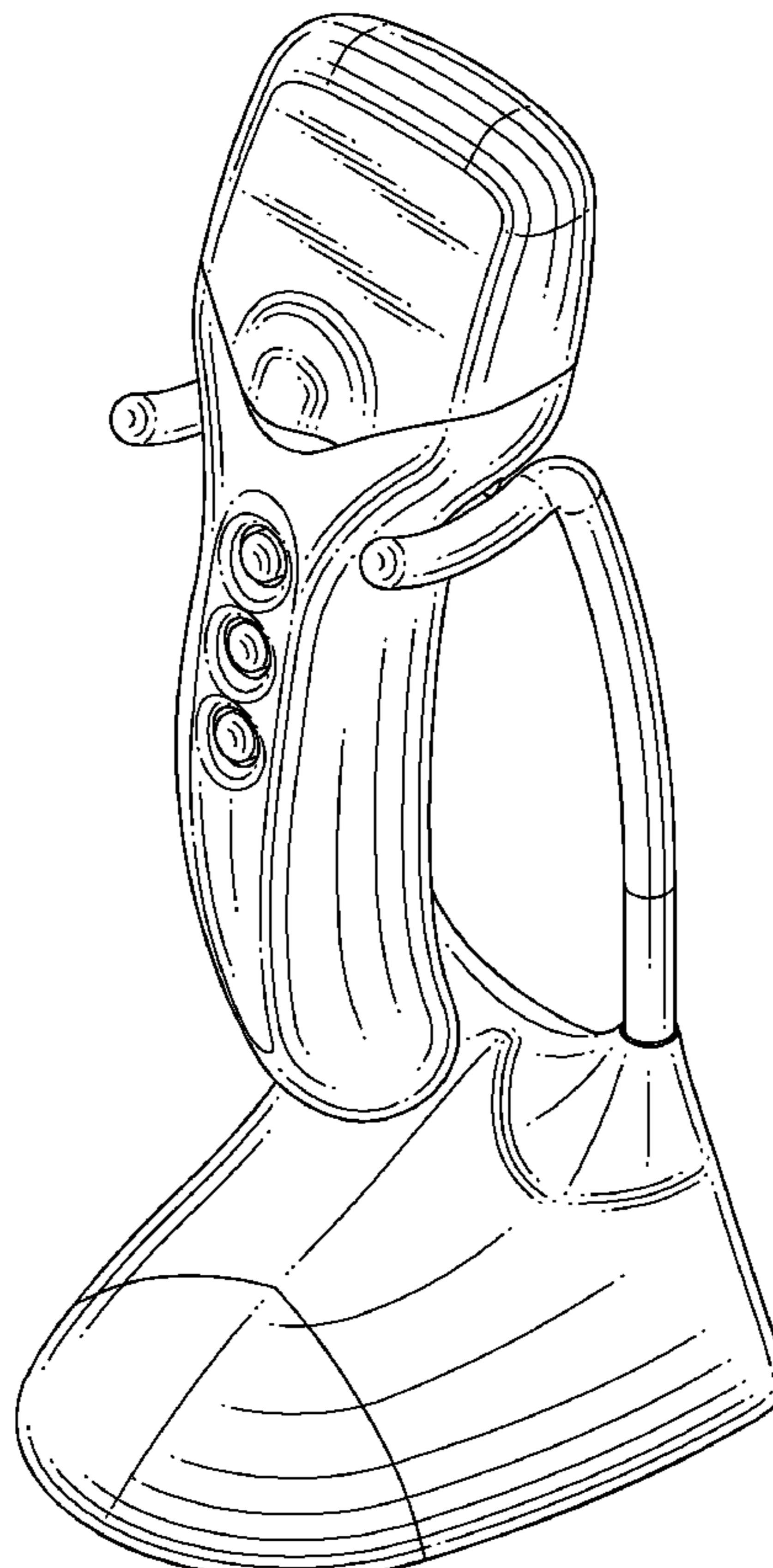
Those portions of the recharging stand shown in broken lines in FIGS. 3, 6 and 7 form no part of the claimed design.

D449,112 S * 10/2001 Tudico D24/215

D519,244 S * 4/2006 Butcher D28/51

* cited by examiner

1 Claim, 4 Drawing Sheets



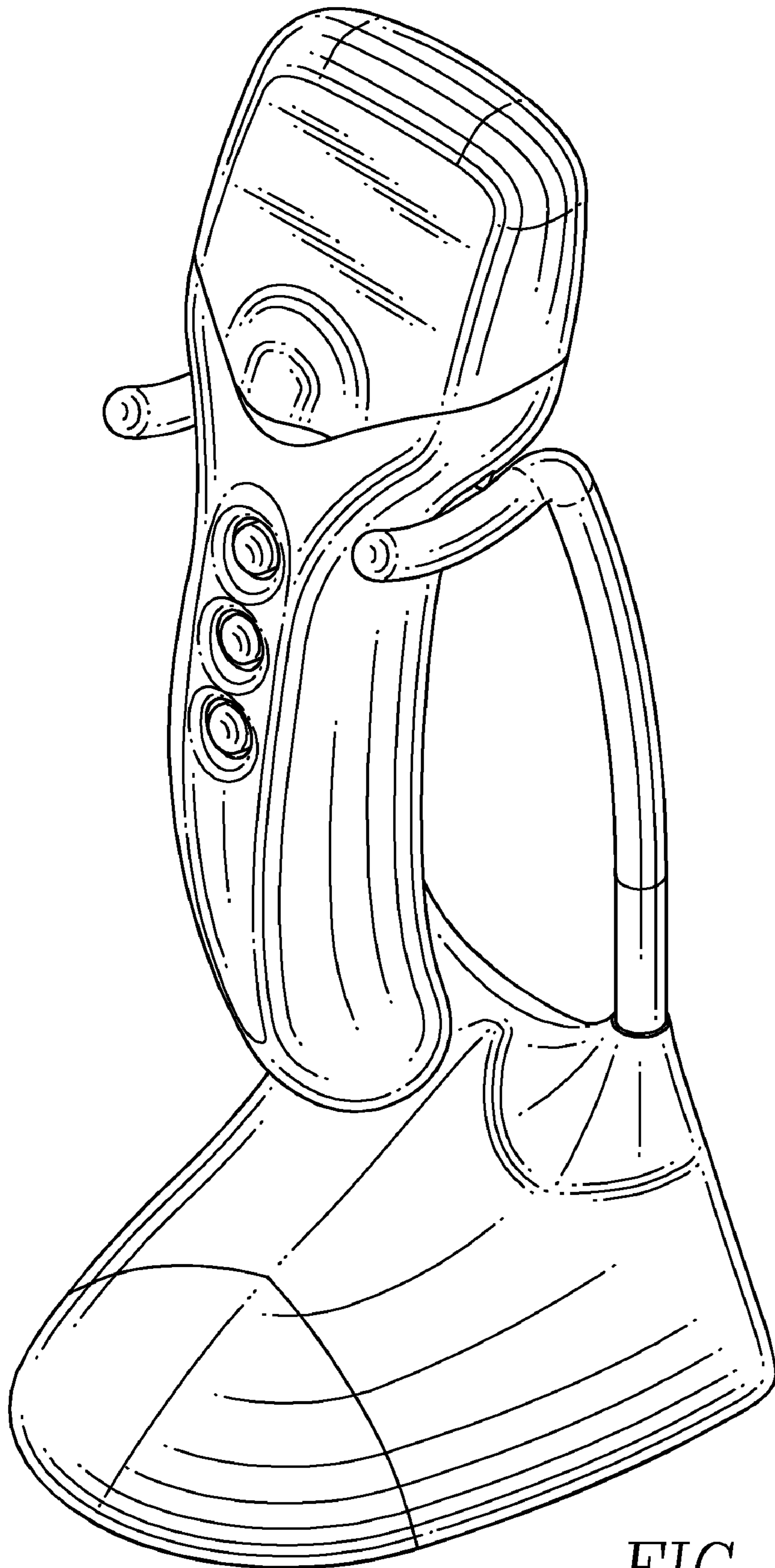


FIG. 1

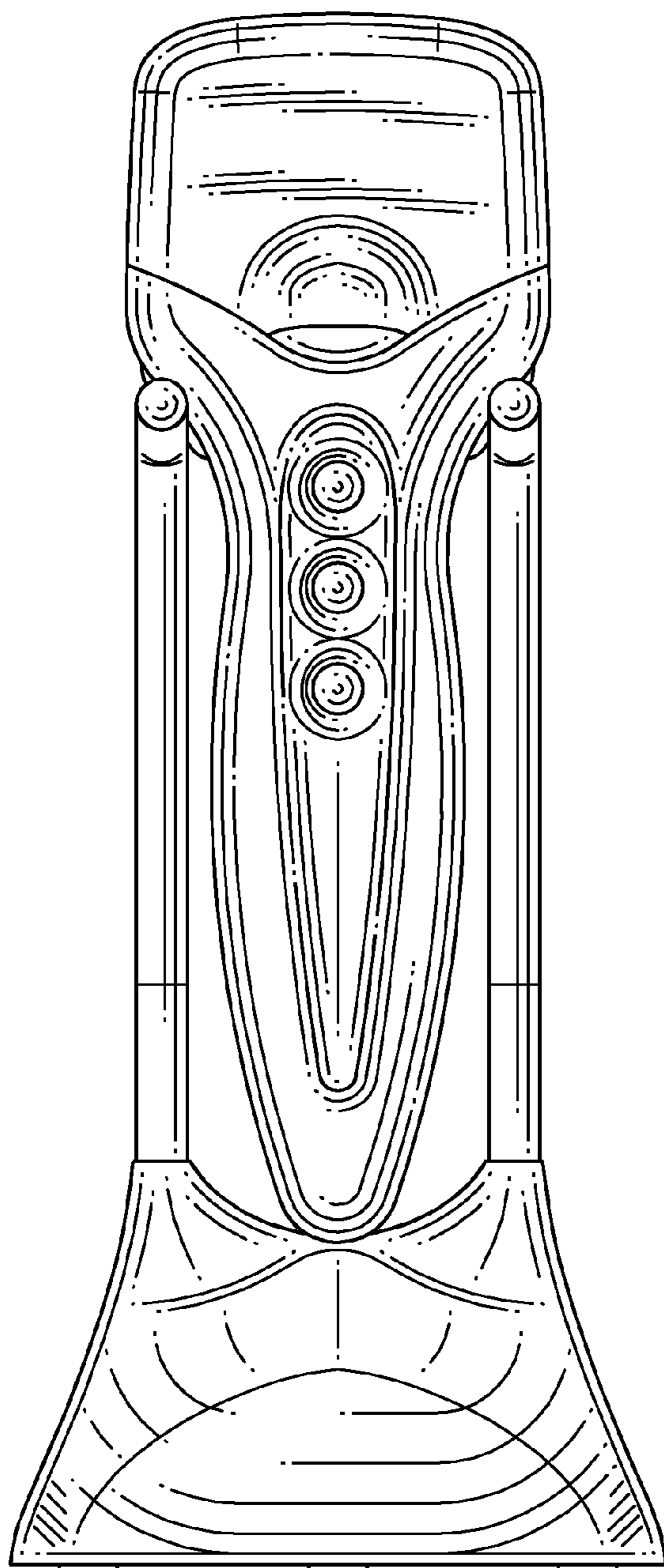


FIG. 2

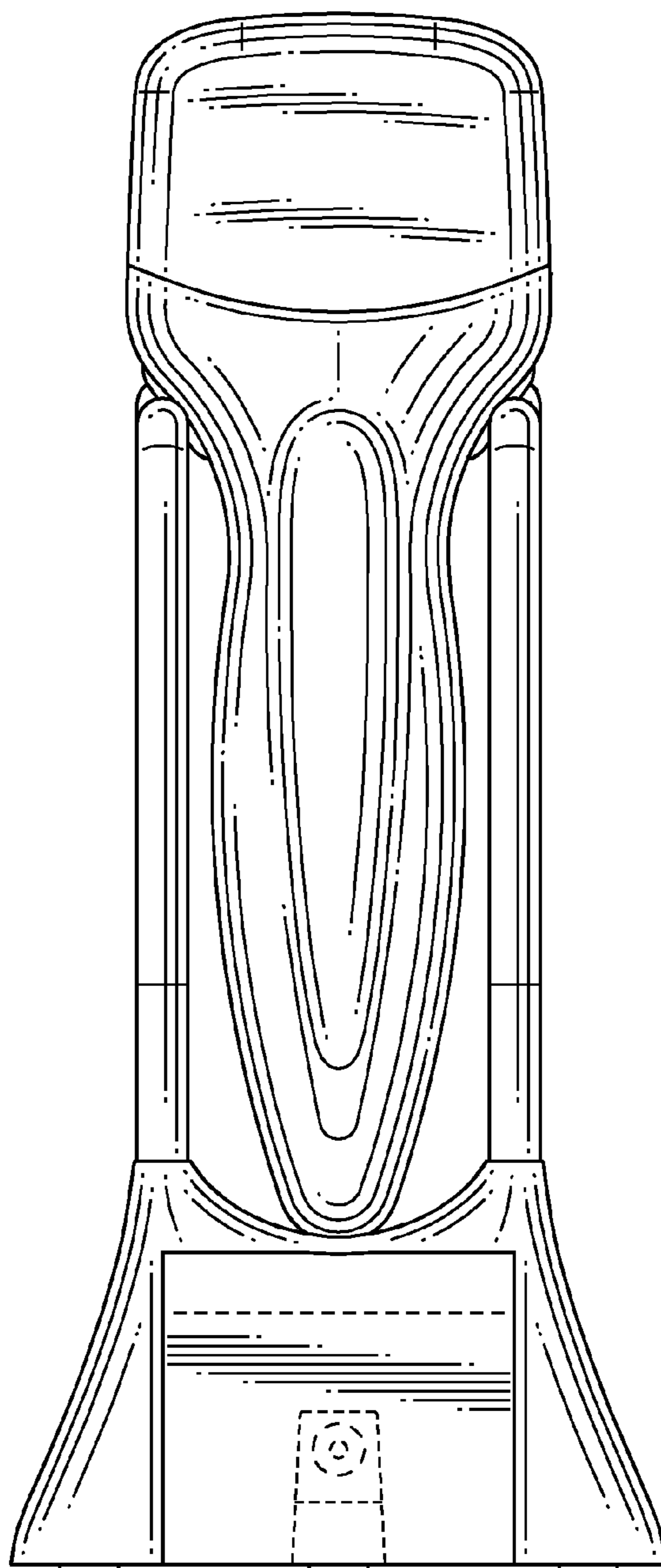


FIG. 3

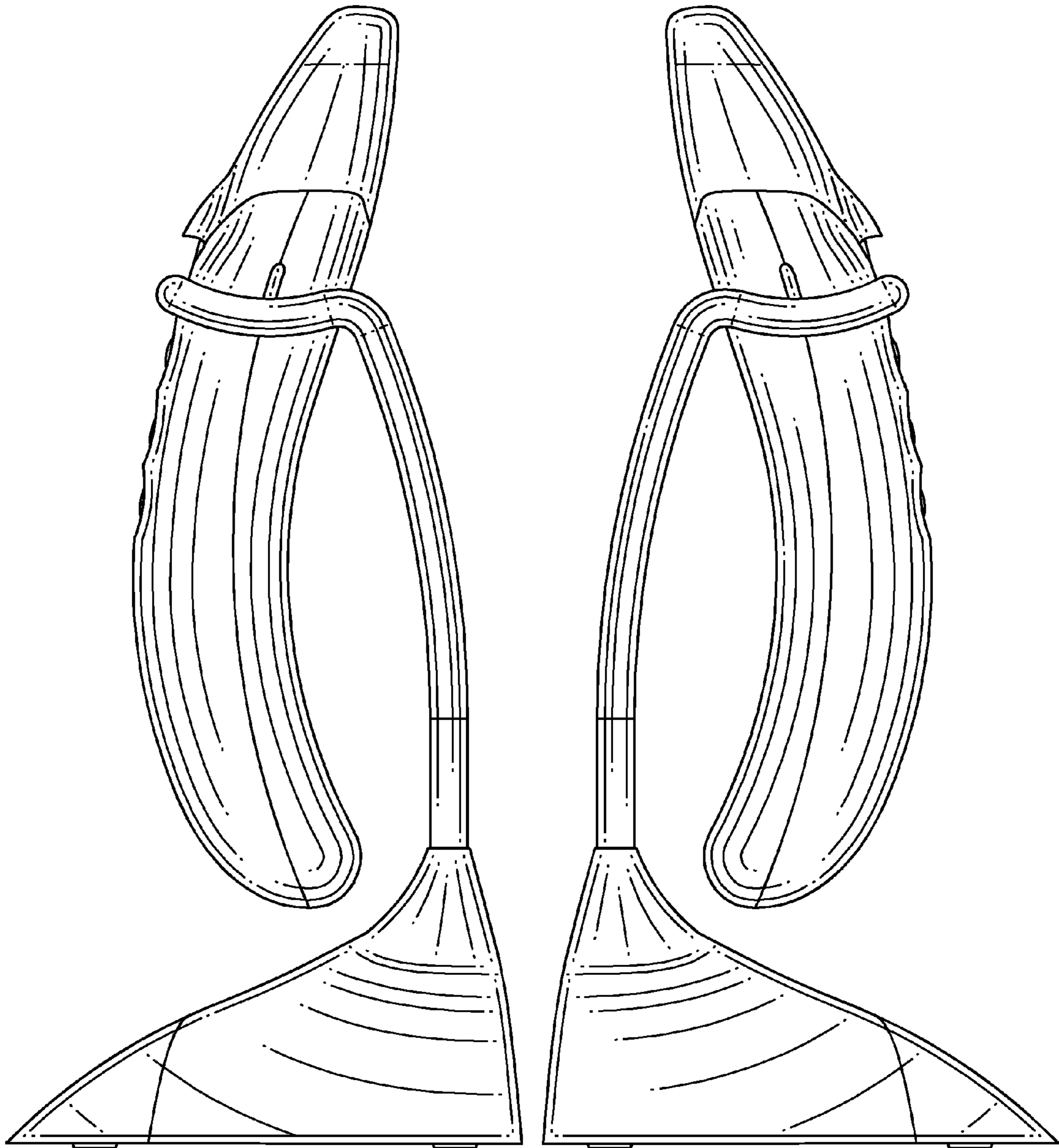


FIG. 4

FIG. 5

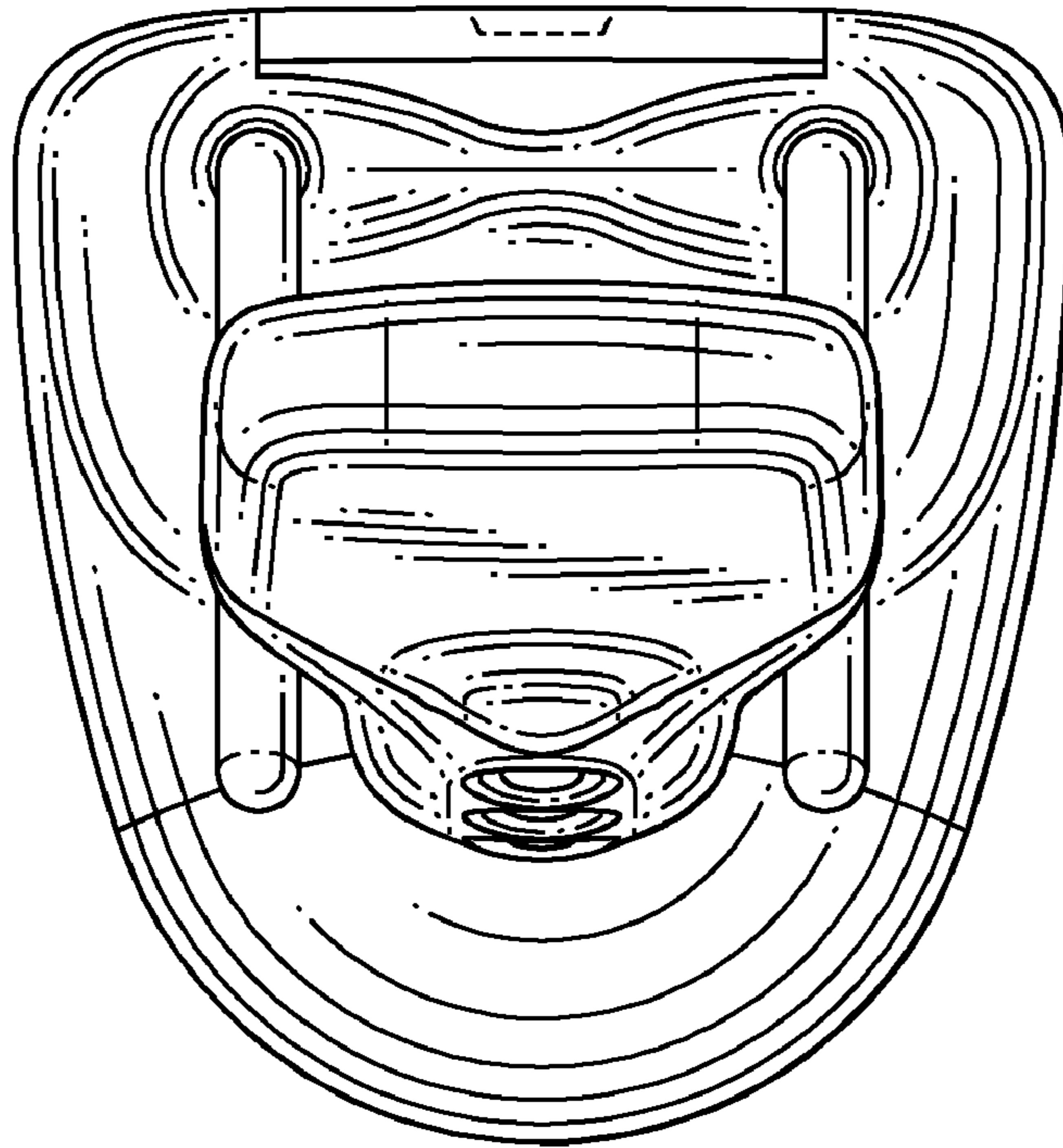


FIG. 6

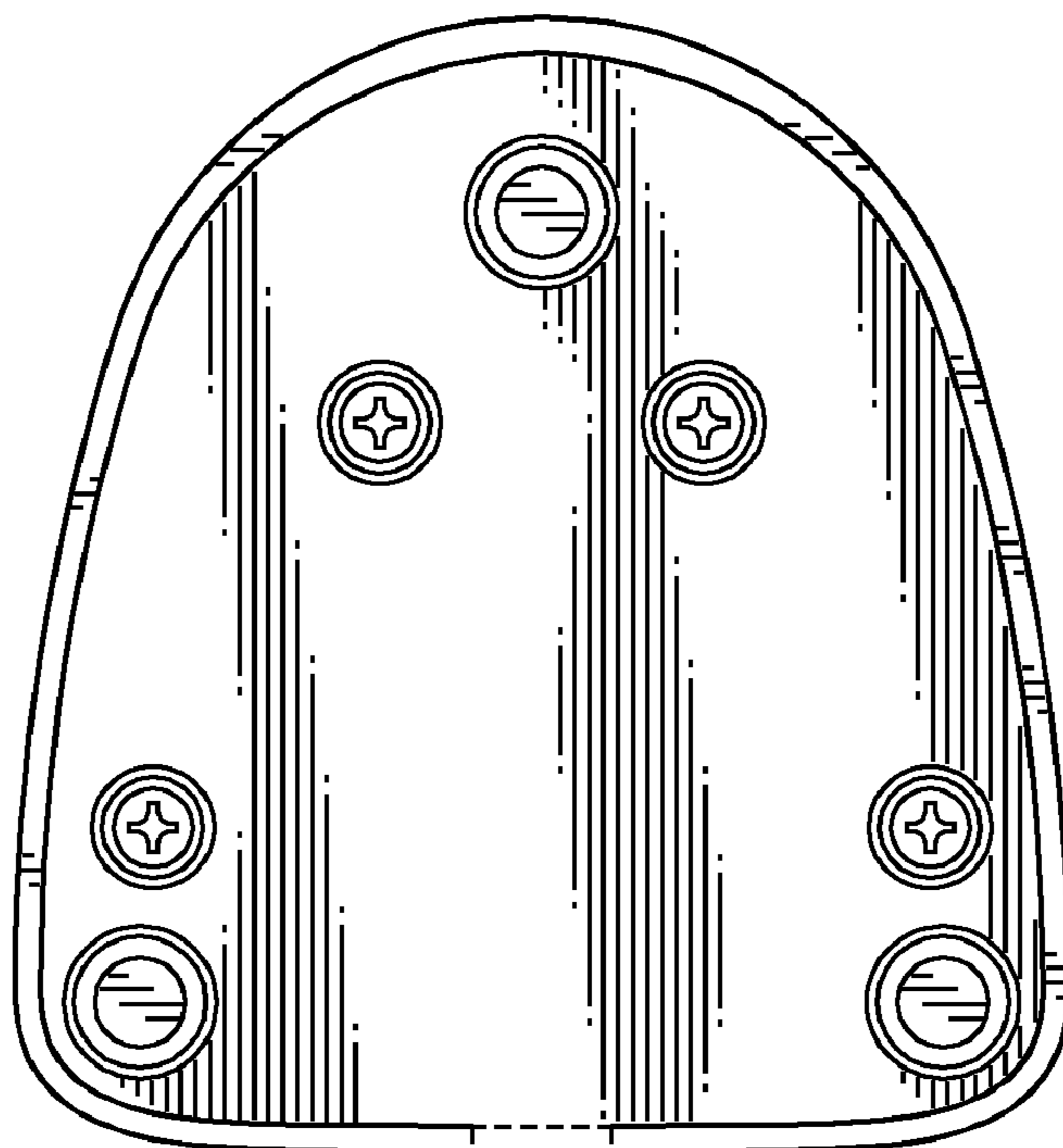


FIG. 7