

US00D601704S

(12) **United States Design Patent**
Chilton, III et al.

(10) **Patent No.:** **US D601,704 S**
(45) **Date of Patent:** **** Oct. 6, 2009**

(54) **WARMING THERARY DEVICE**

2004/0186341 A1* 9/2004 McDermott 600/22
2009/0149696 A1* 6/2009 Chilton, III 600/22

(75) Inventors: **Robert J. Chilton, III**, Quakertown, PA
(US); **Peter D. Sabota**, Warminster, PA
(US)

FOREIGN PATENT DOCUMENTS

EP 0974328 1/2000

(73) Assignee: **Draeger Medical Systems, Inc.**,
Telford, PA (US)

OTHER PUBLICATIONS

General Electric Company, "The Giraffe Family" brochure (copy-
right 2009).

Dräger Medical AG & Co. KGaA, "Caleo" brochure (copyright
2004).

International Search Report dated Jun. 4, 2009.

(**) Term: **14 Years**

* cited by examiner

(21) Appl. No.: **29/335,065**

(22) Filed: **Apr. 8, 2009**

Primary Examiner—T. Chase Nelson

Assistant Examiner—Anhdao Doan

(74) *Attorney, Agent, or Firm*—DLA Piper LLP (US)

Related U.S. Application Data

(63) Continuation-in-part of application No. 11/999,443,
filed on Dec. 5, 2007.

(57) **CLAIM**

(51) **LOC (9) Cl.** **24-01**

The ornamental design for a warming therapy device, as
shown and described.

(52) **U.S. Cl.** **D24/163**

(58) **Field of Classification Search** D24/163,
D24/164, 201–207; D19/160; 600/21, 22;
128/205.26, 205.29

DESCRIPTION

See application file for complete search history.

FIG. 1 shows a first perspective view of the invention;

FIG. 2 shows a second perspective view of the invention;

FIG. 3 shows a front view of the invention;

FIG. 4 shows a left side view of the invention;

FIG. 5 shows a rear view of the invention;

FIG. 6 shows a right side view of the invention;

FIG. 7 shows a top view of the invention; and,

FIG. 8 shows a bottom view of the invention.

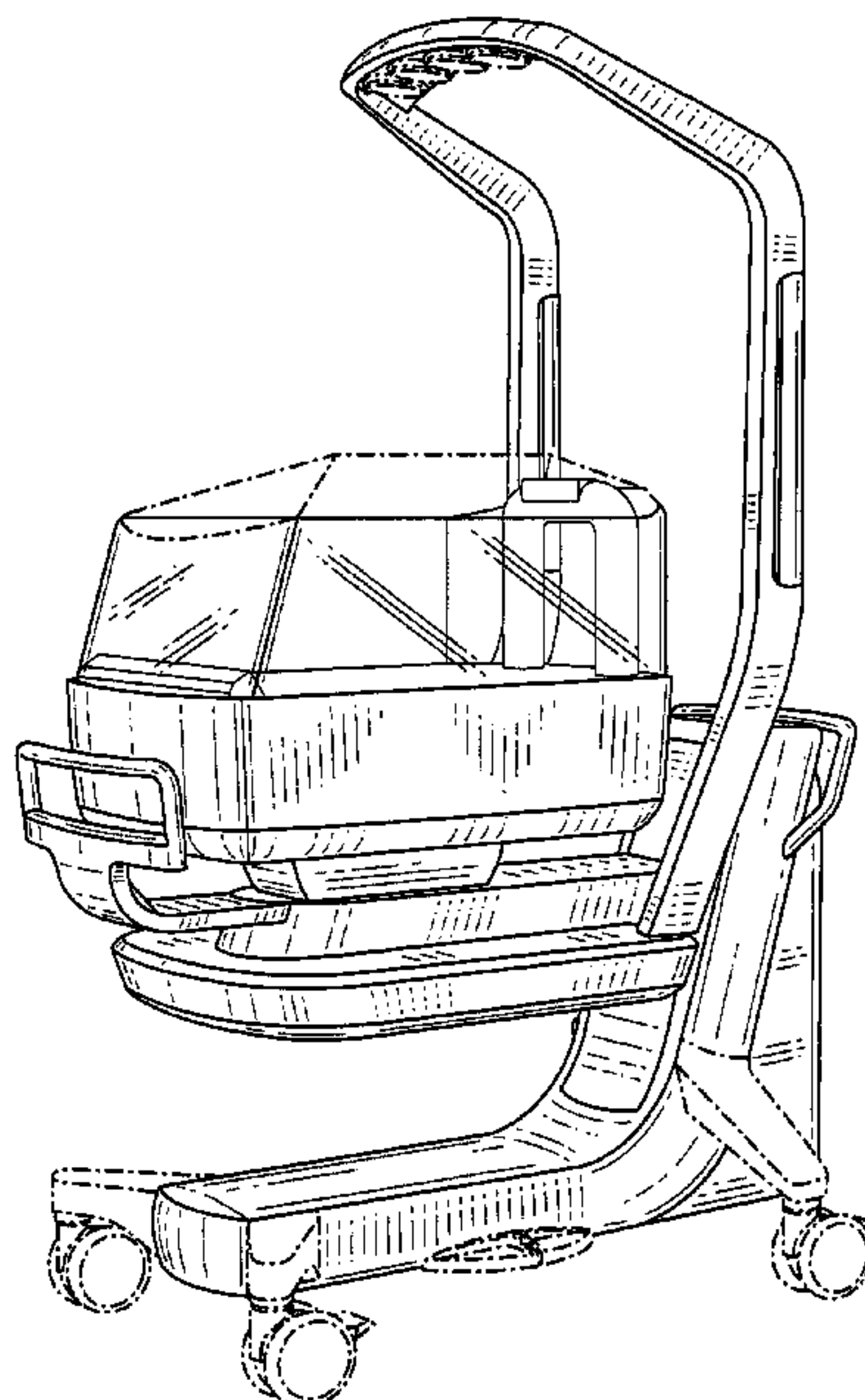
The broken lines in the FIGS. 1–8 are included for the purpose
of illustrating portions of the warming therapy device that
form no part of the claimed design.

(56) **References Cited**

U.S. PATENT DOCUMENTS

| | | | | |
|-----------|------|---------|-----------------|---------|
| 2,820,477 | A | 1/1958 | Dorsak et al. | |
| 3,318,308 | A | 5/1967 | Grosholz | |
| D240,768 | S * | 7/1976 | Beld et al. | D24/163 |
| 3,999,541 | A | 12/1976 | Tabor | 128/191 |
| 5,125,889 | A | 6/1992 | Snyders | 600/22 |
| 6,024,694 | A | 2/2000 | Goldberg et al. | 600/22 |
| 6,471,634 | B1 * | 10/2002 | Dykes et al. | 600/22 |
| 6,641,521 | B2 | 11/2003 | Kolarovic | 600/22 |
| 7,357,811 | B2 * | 4/2008 | Dykes et al. | 600/22 |
| 7,364,539 | B2 * | 4/2008 | Mackin et al. | 600/22 |

1 Claim, 7 Drawing Sheets



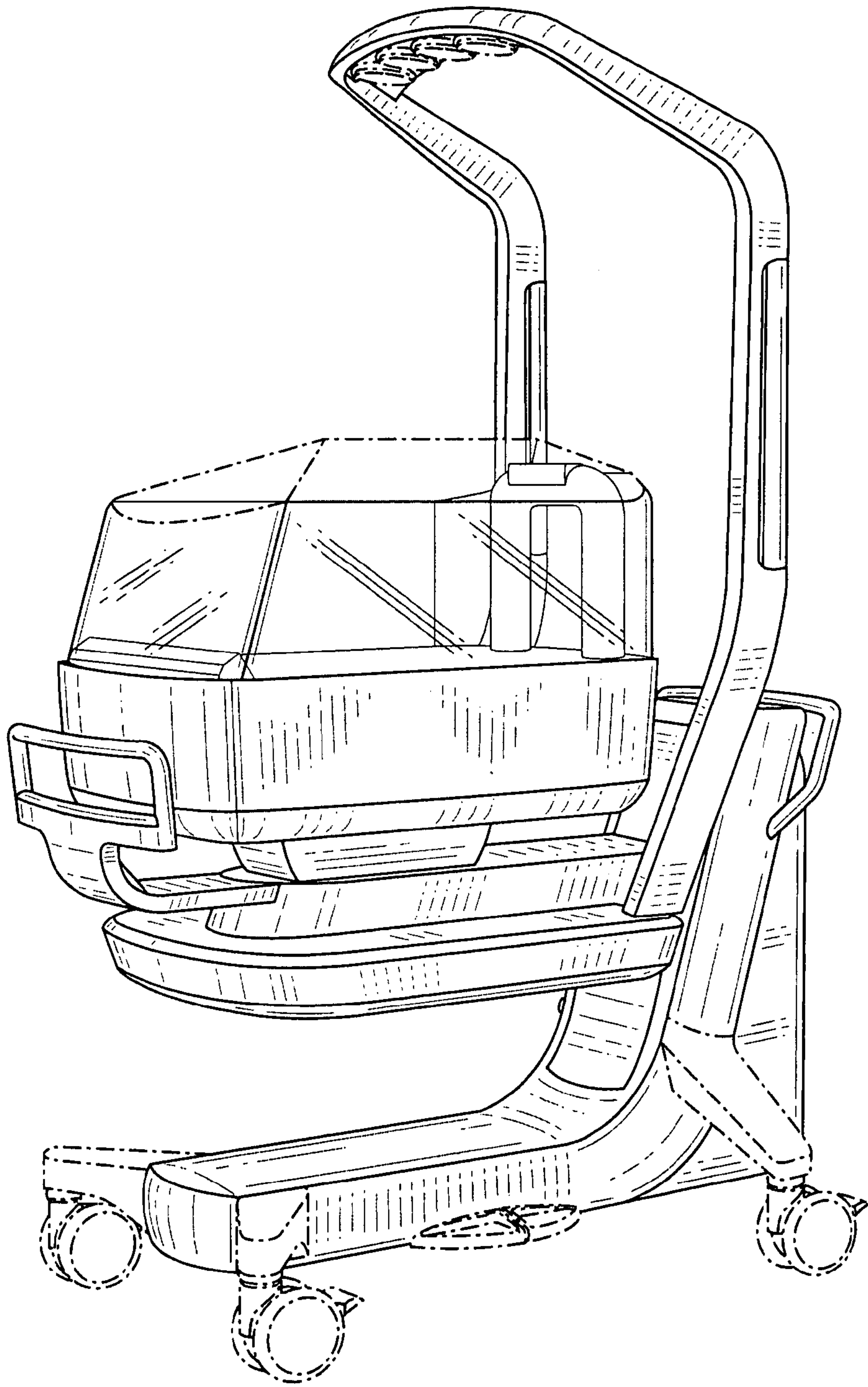


FIG. 1

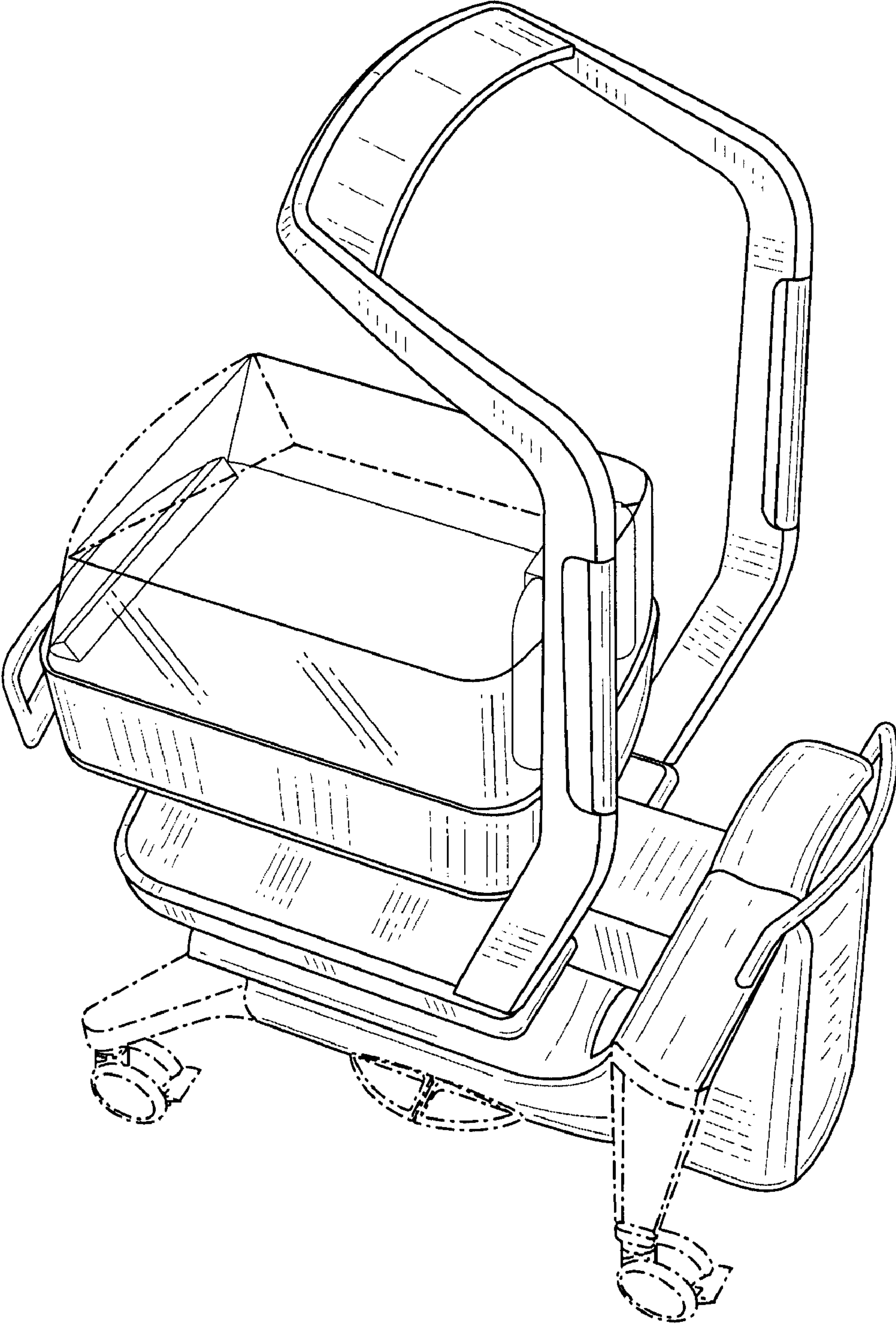


FIG. 2

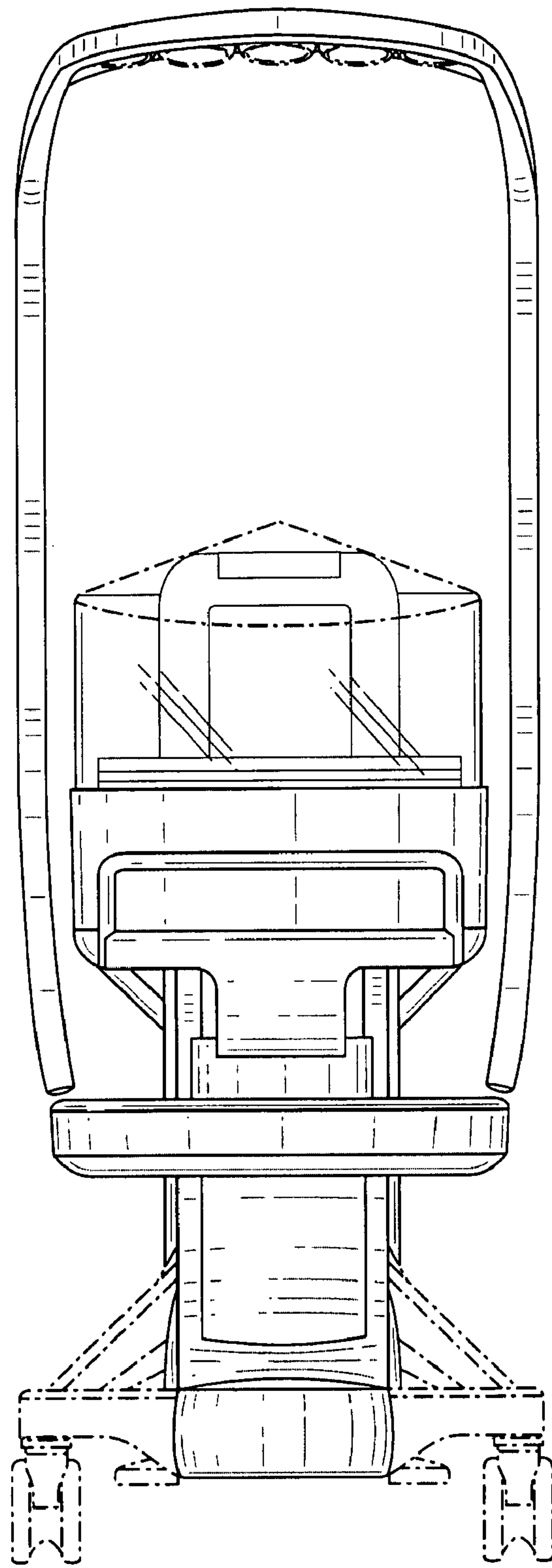


FIG. 3

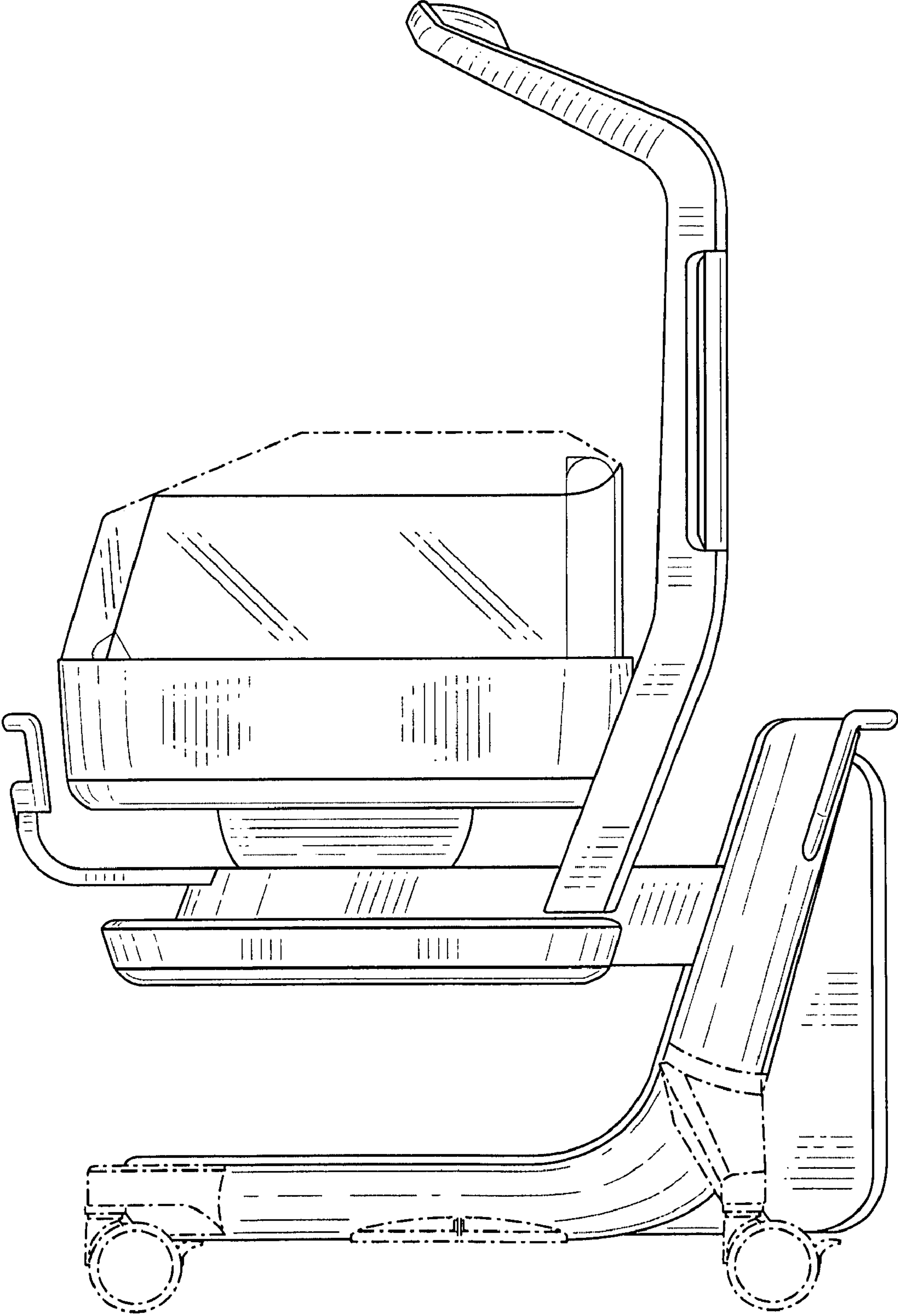


FIG. 4

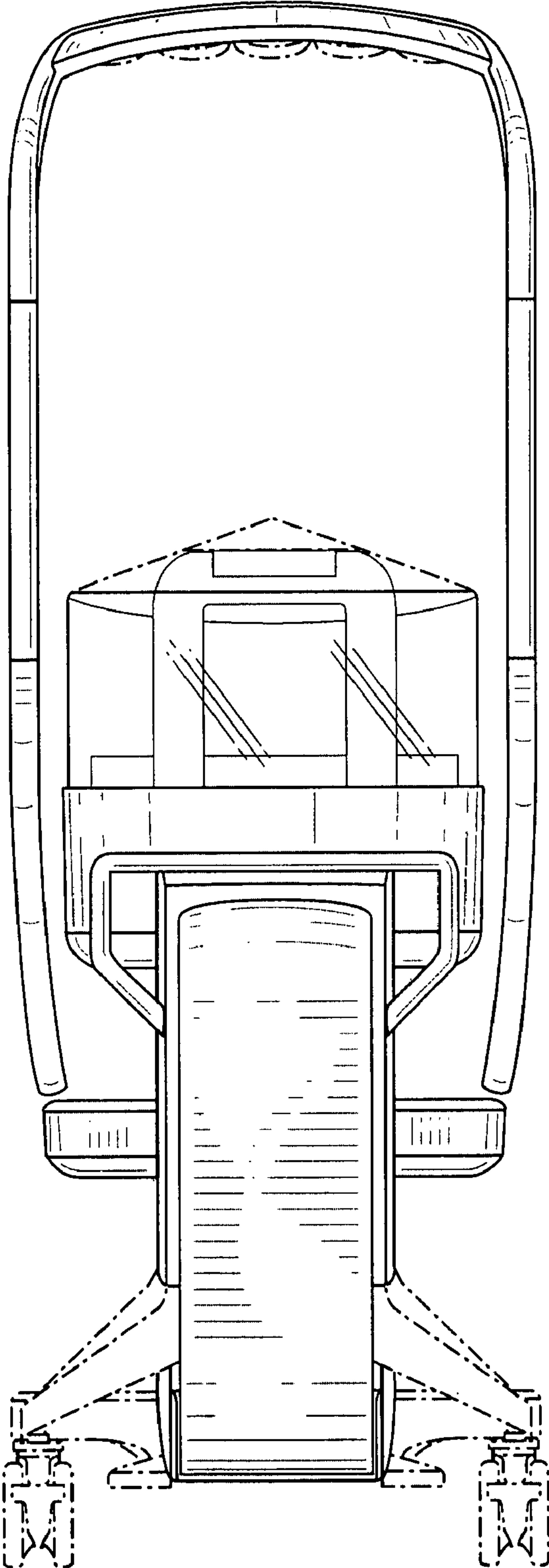


FIG. 5

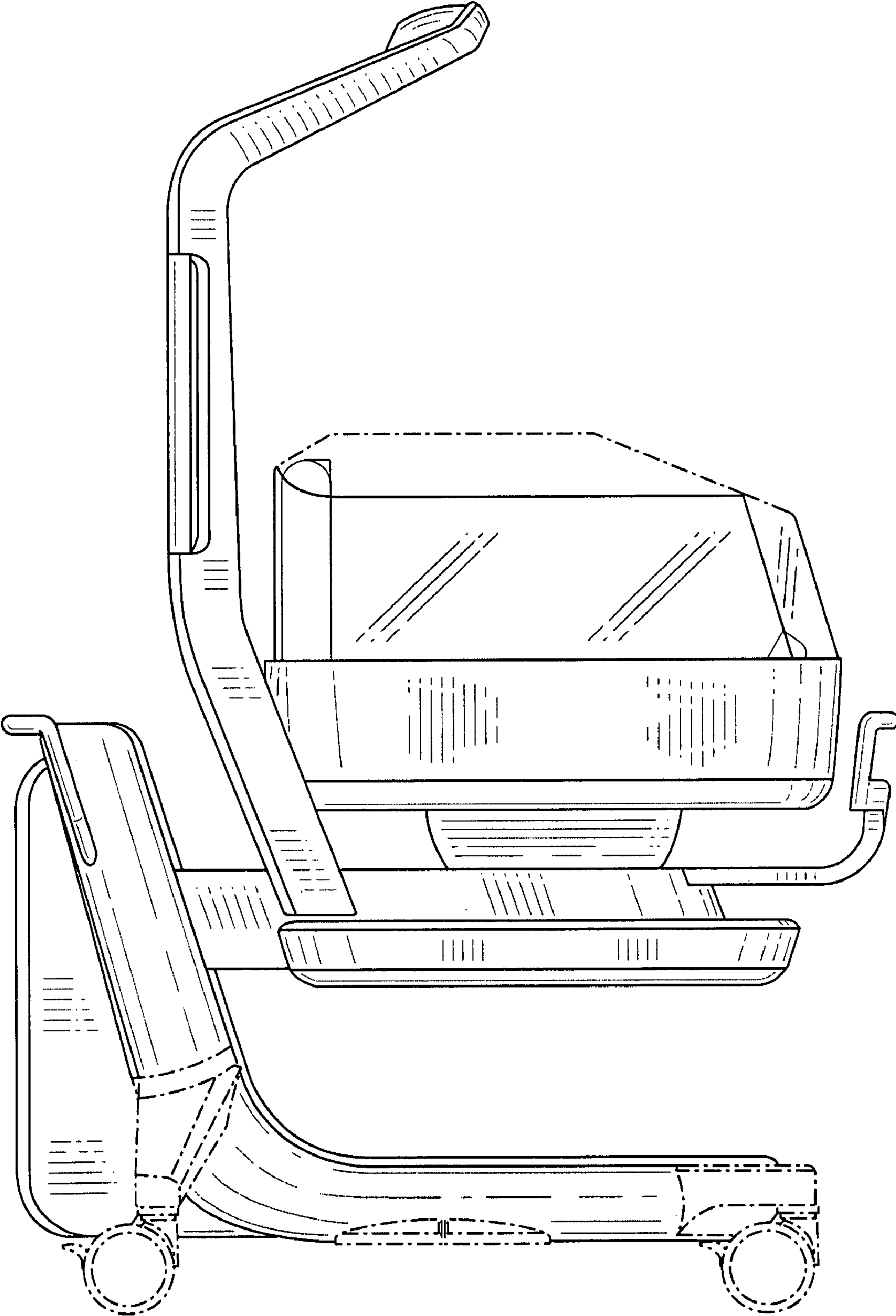


FIG. 6

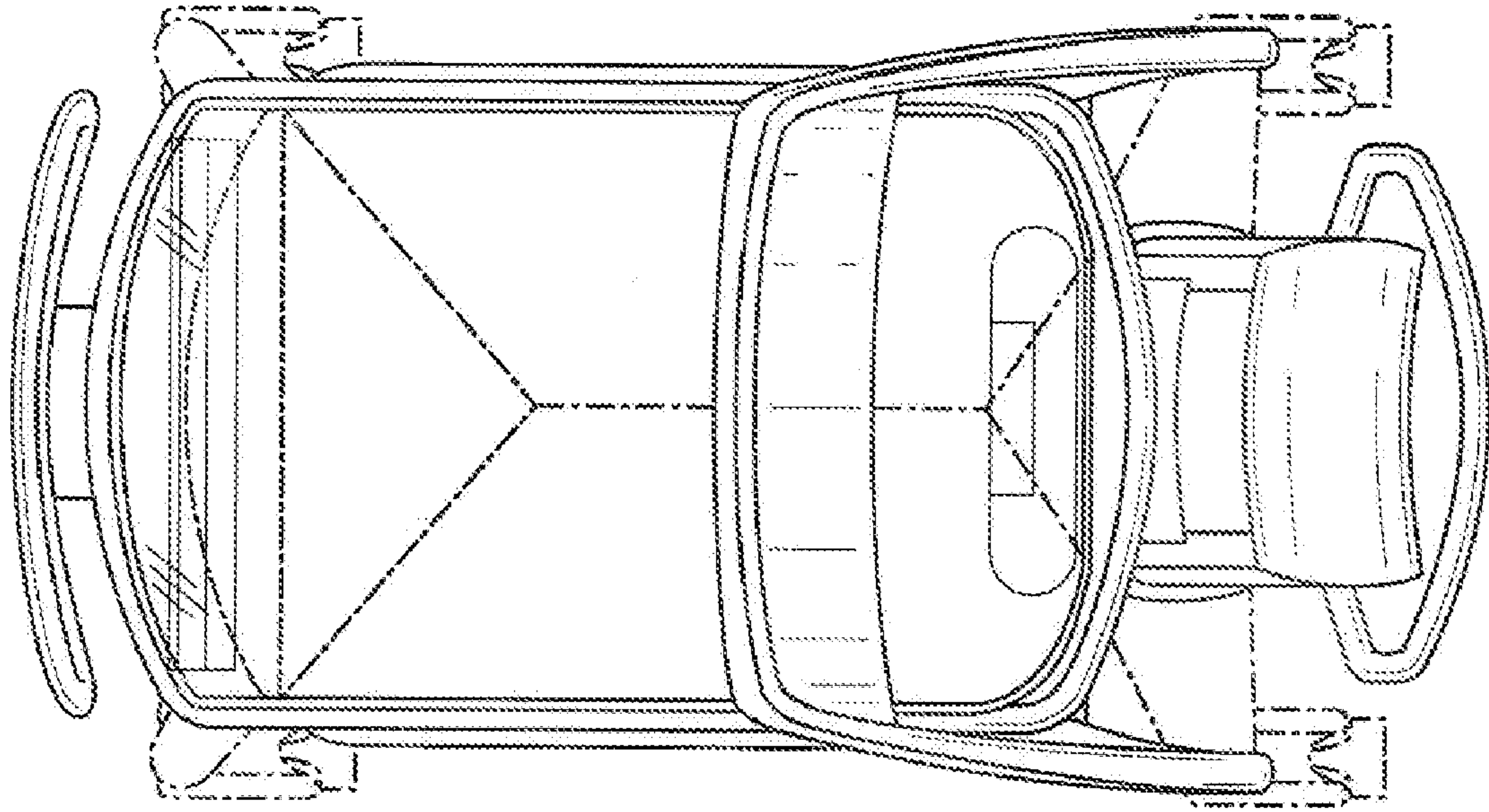


FIG. 7

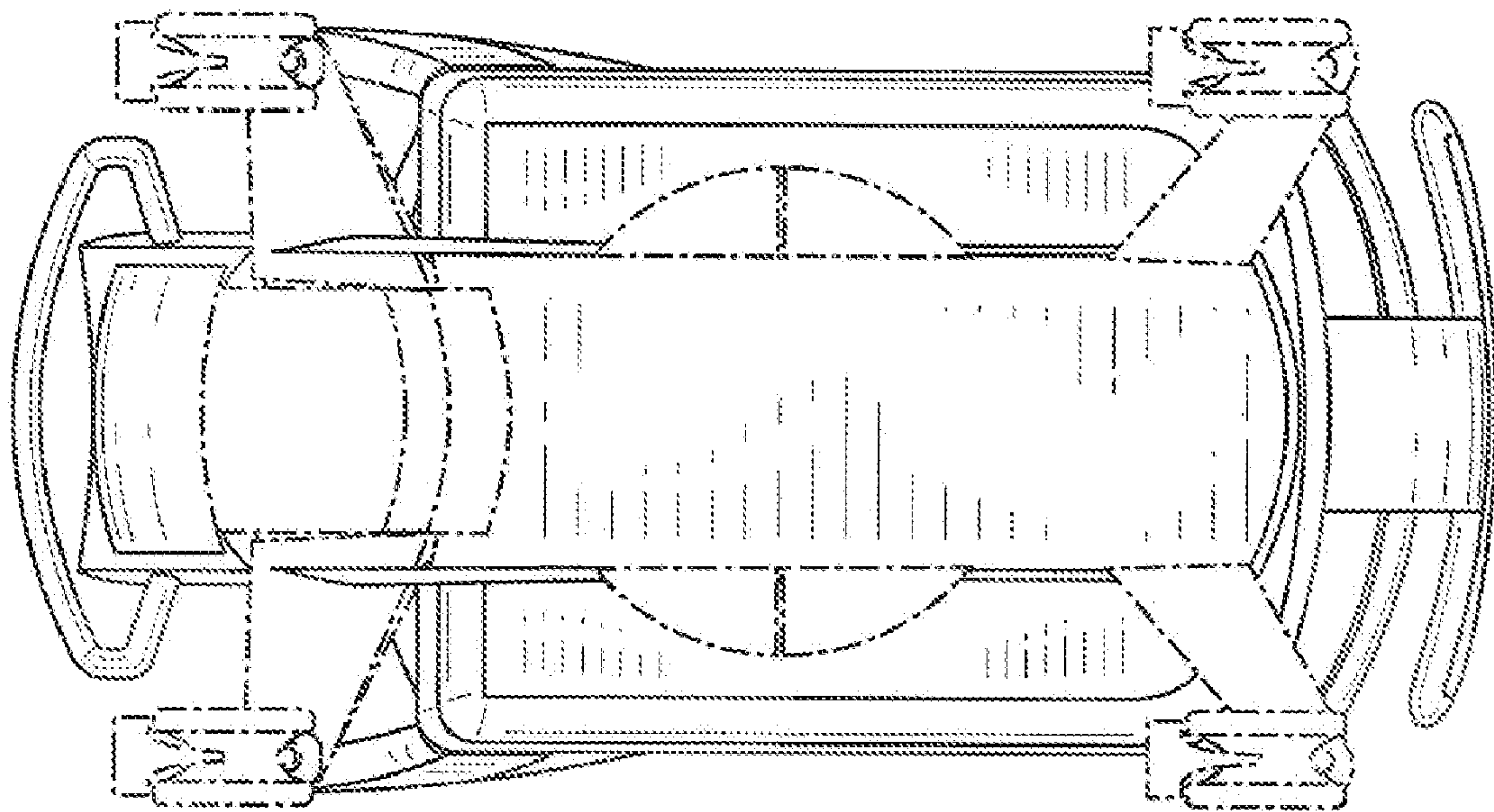


FIG. 8