



US00D601702S

(12) **United States Design Patent**
Gotfried

(10) **Patent No.:** **US D601,702 S**

(45) **Date of Patent:** **** Oct. 6, 2009**

(54) **SURGICAL INSTRUMENT**

(76) Inventor: **Yechiel Gotfried**, 16 usha str., Kiryat Motzkin 26364 (IL)

(**) Term: **14 Years**

(21) Appl. No.: **29/313,777**

(22) Filed: **Feb. 10, 2009**

(51) **LOC (9) Cl.** **24-02**

(52) **U.S. Cl.** **D24/145; D24/146; D24/147**

(58) **Field of Classification Search** **D24/145-147; 606/272, 71, 65, 80, 86 R, 62, 270, 290, 292**
See application file for complete search history.

(56) **References Cited**

U.S. PATENT DOCUMENTS

5,042,982	A *	8/1991	Harms et al.	606/256
5,129,388	A *	7/1992	Vignaud et al.	606/258
5,147,360	A *	9/1992	Dubousset	606/250
5,154,719	A *	10/1992	Cotrel	606/308
6,077,262	A *	6/2000	Schlapfer et al.	606/305
6,554,834	B1 *	4/2003	Crozet et al.	606/65
6,716,214	B1 *	4/2004	Jackson	606/266
6,730,089	B2 *	5/2004	Jackson	606/270
6,918,911	B2 *	7/2005	Biedermann et al.	606/267
7,530,992	B2 *	5/2009	Biedermann et al.	606/272
2003/0100904	A1 *	5/2003	Biedermann	606/73
2004/0186478	A1 *	9/2004	Jackson	606/73
2006/0079893	A1 *	4/2006	Jackson	606/61
2006/0149241	A1 *	7/2006	Richelsoph et al.	606/61
2006/0217716	A1 *	9/2006	Baker et al.	606/61
2006/0247631	A1 *	11/2006	Ahn et al.	606/61
2006/0247636	A1 *	11/2006	Yuan et al.	606/61
2007/0055235	A1 *	3/2007	Janowski et al.	606/61
2007/0118123	A1 *	5/2007	Strausbaugh et al.	606/61

* cited by examiner

Primary Examiner—Ian Simmons
Assistant Examiner—Wan Laymon

(74) *Attorney, Agent, or Firm*—Frishauf, Holtz, Goodman & Chick, P.C.; Robert P. Michal

(57) **CLAIM**

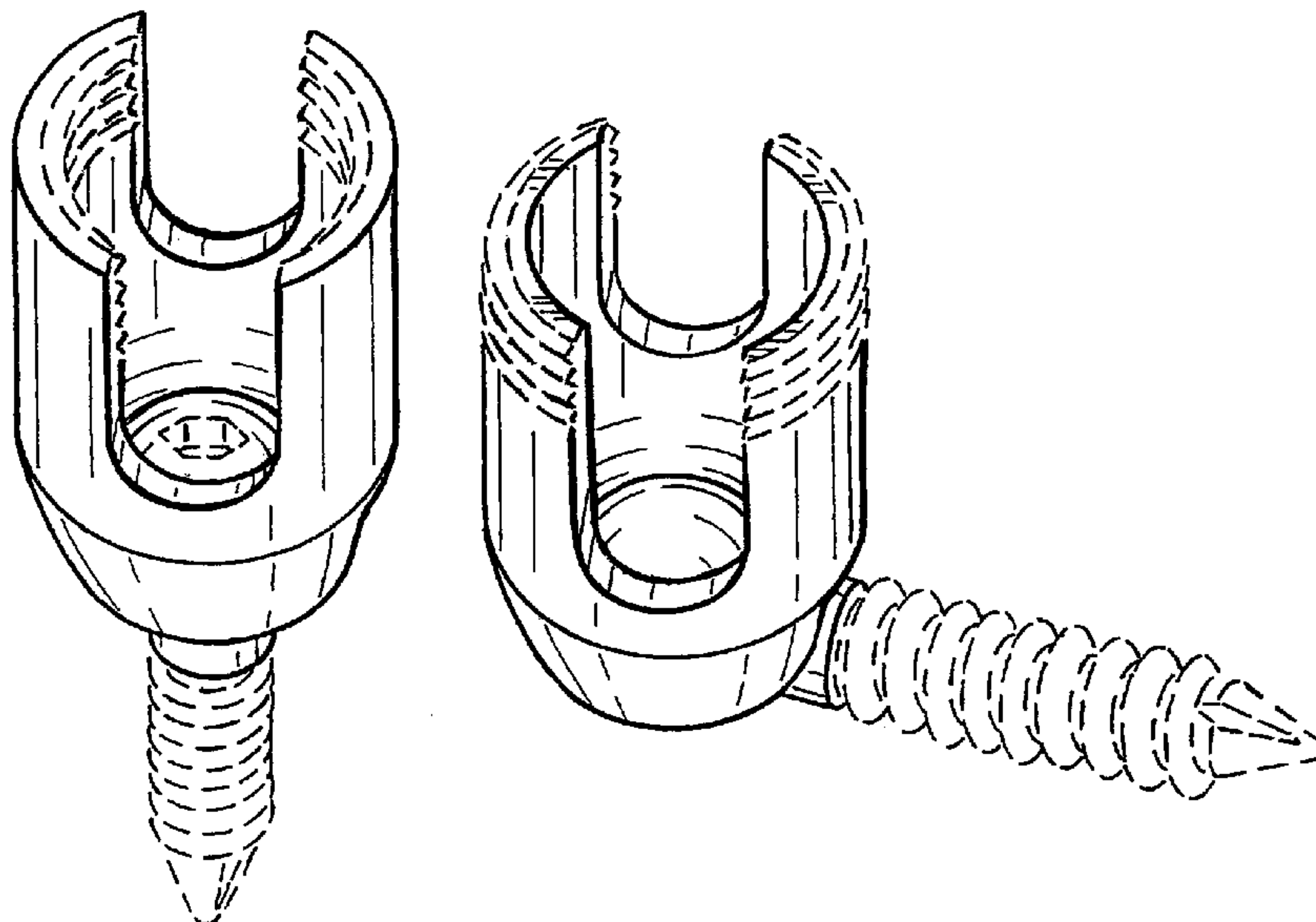
The ornamental design for a surgical instrument, as shown and described.

DESCRIPTION

FIG. 1 is a front elevational view showing my new design;
 FIG. 2 is a right side elevational view, the left side being a mirror image thereof;
 FIG. 3 is a rear elevational view thereof;
 FIG. 4 is a top plan view thereof;
 FIG. 5 is a bottom plan view thereof;
 FIG. 6 is a top, front, left side perspective view thereof;
 FIG. 7 is a perspective view similar to FIG. 6 but showing an alternate position;
 FIG. 8 is a front elevational view showing an alternate embodiment of my design;
 FIG. 9 is a right side elevational view of the design shown in FIG. 8, the left side being a mirror image thereof;
 FIG. 10 is a rear elevational view of the design shown in FIG. 8;
 FIG. 11 is a top plan view of the design shown in FIG. 8;
 FIG. 12 is a bottom plan view of the design shown in FIG. 8;
 FIG. 13 is a top, front, left side perspective view of the design shown in FIG. 8; and,
 FIG. 14 is a perspective view similar to FIG. 13 but showing an alternate position of the design shown in FIG. 8.

The broken lines illustrate environmental structure of the surgical instrument, which forms no part of the claimed design.

1 Claim, 4 Drawing Sheets



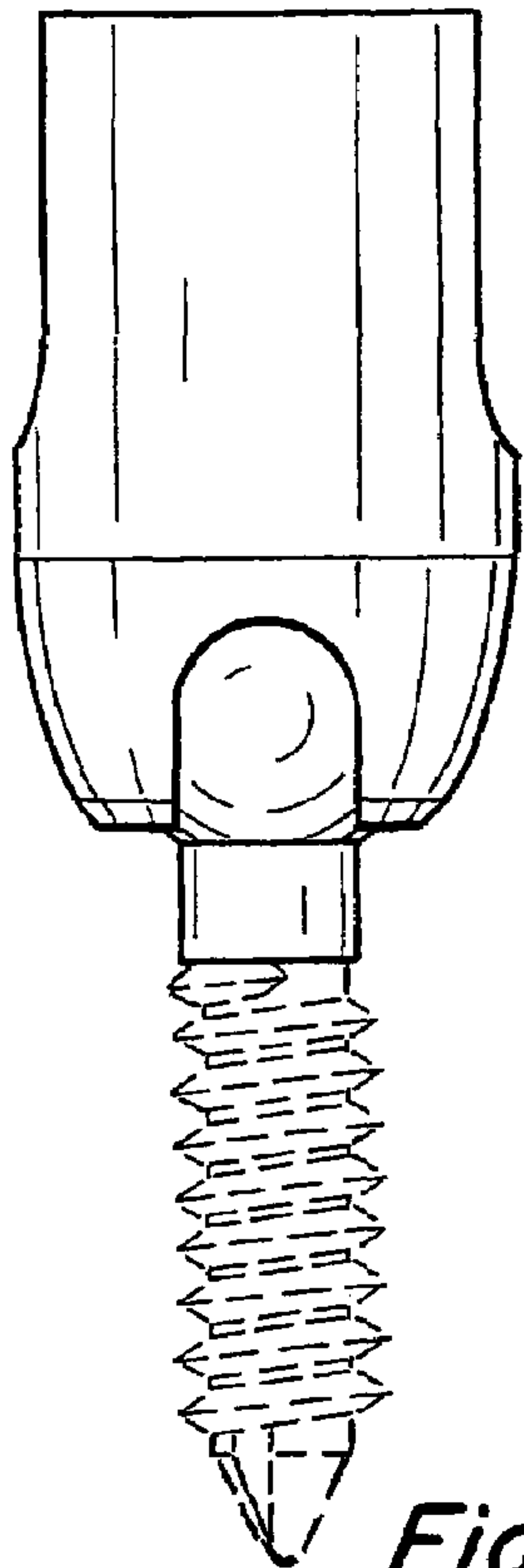


Fig. 1

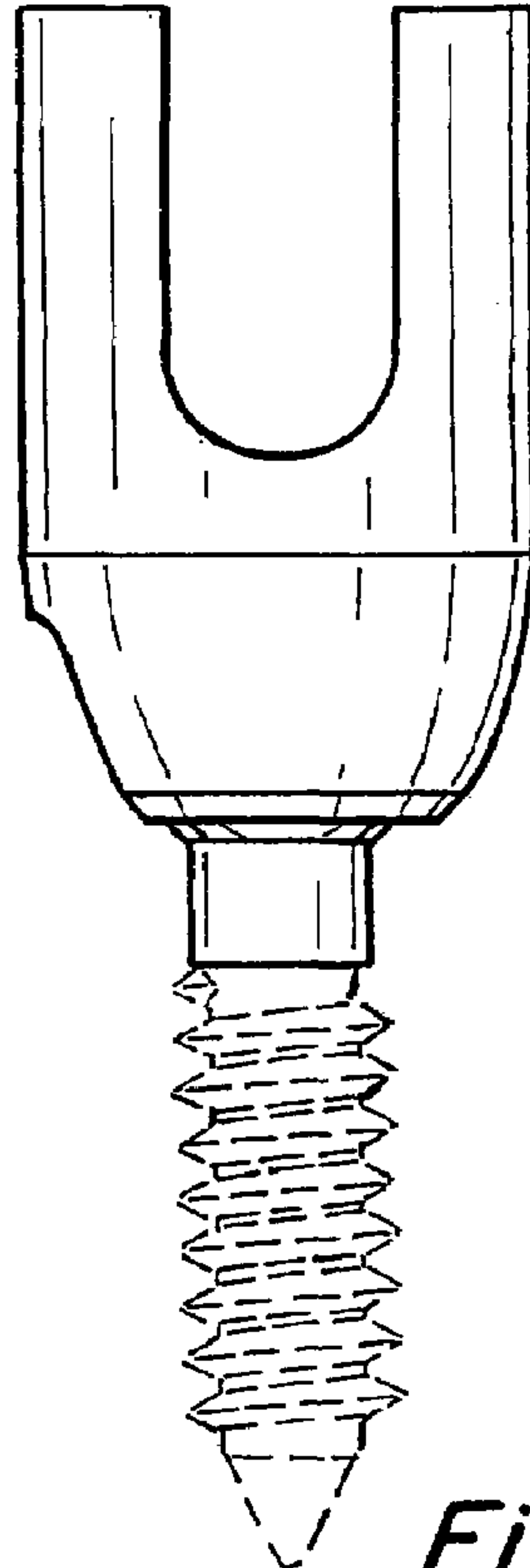


Fig. 2

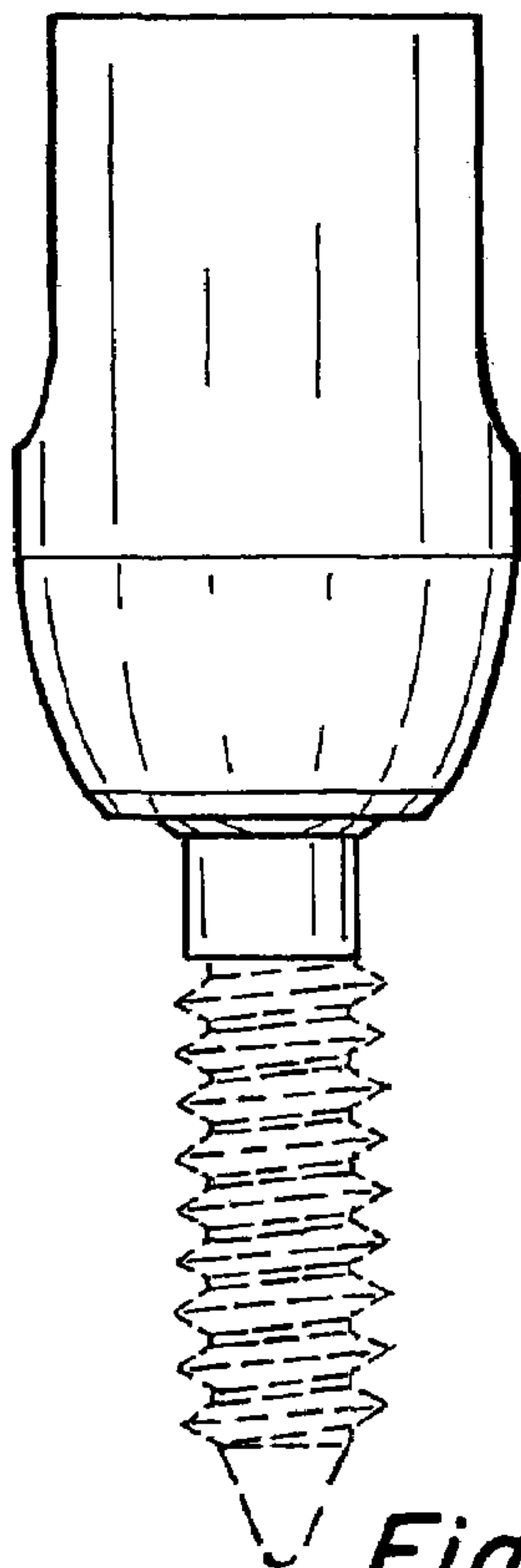


Fig. 3

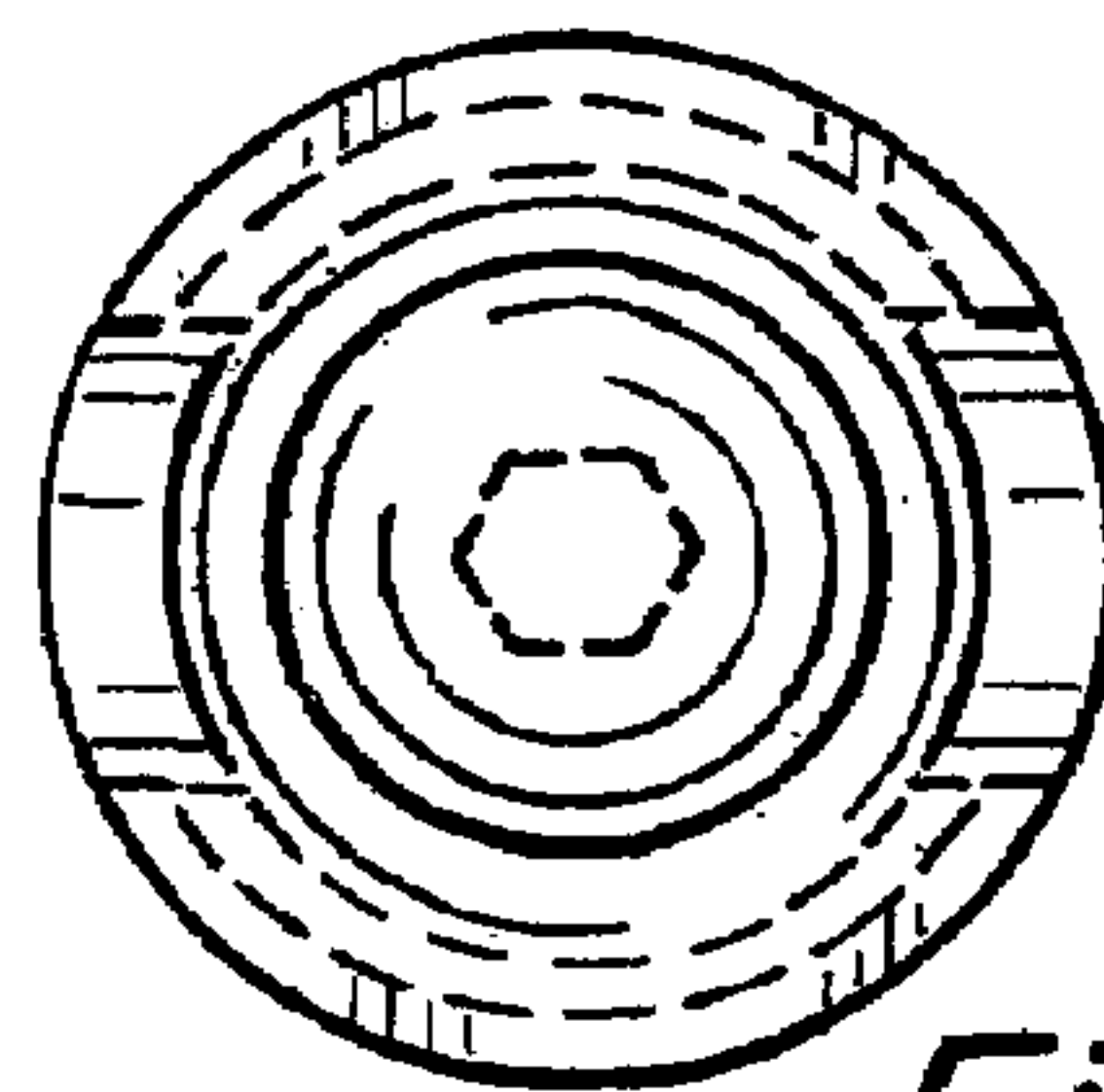


Fig. 4

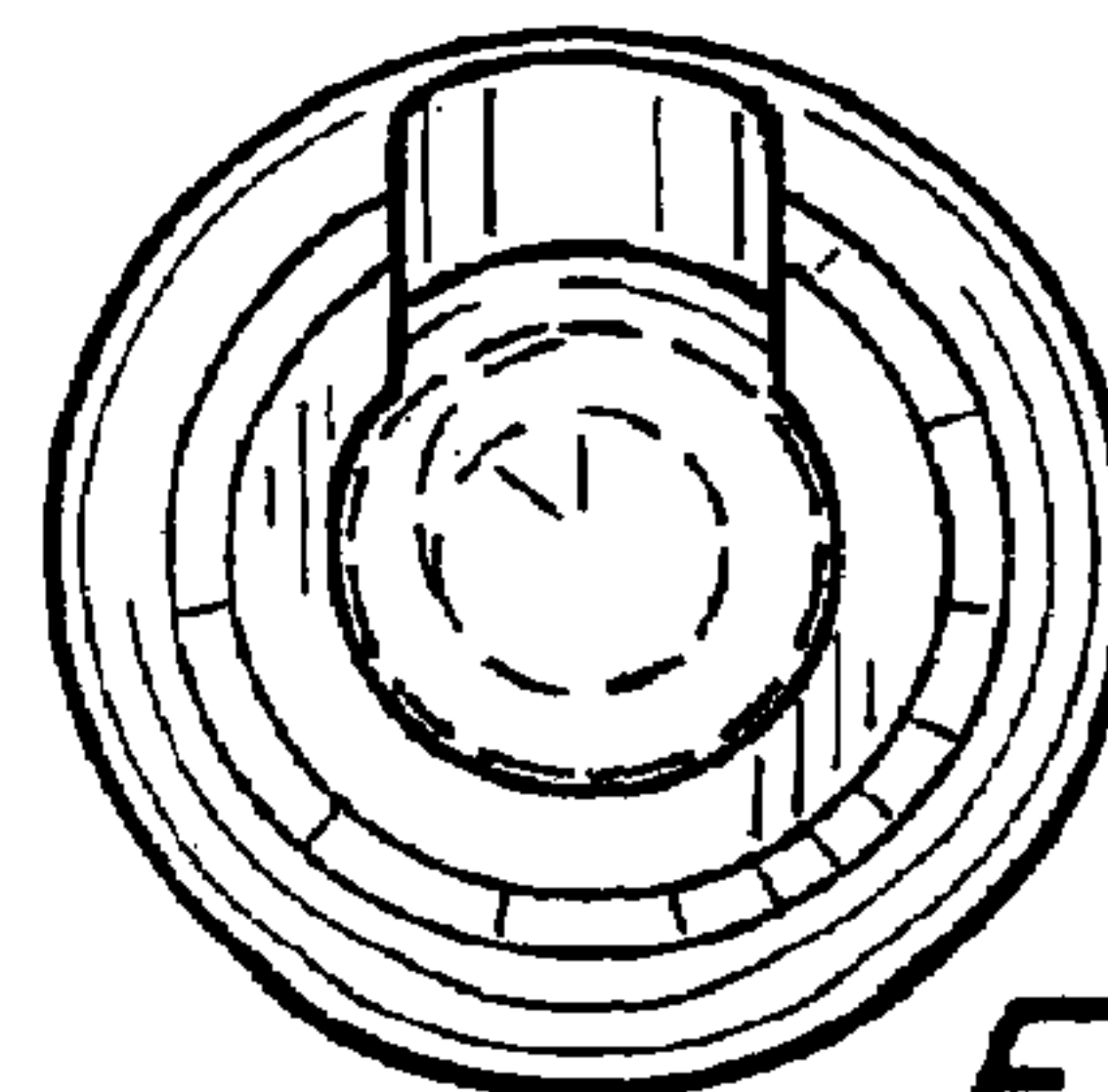


Fig. 5

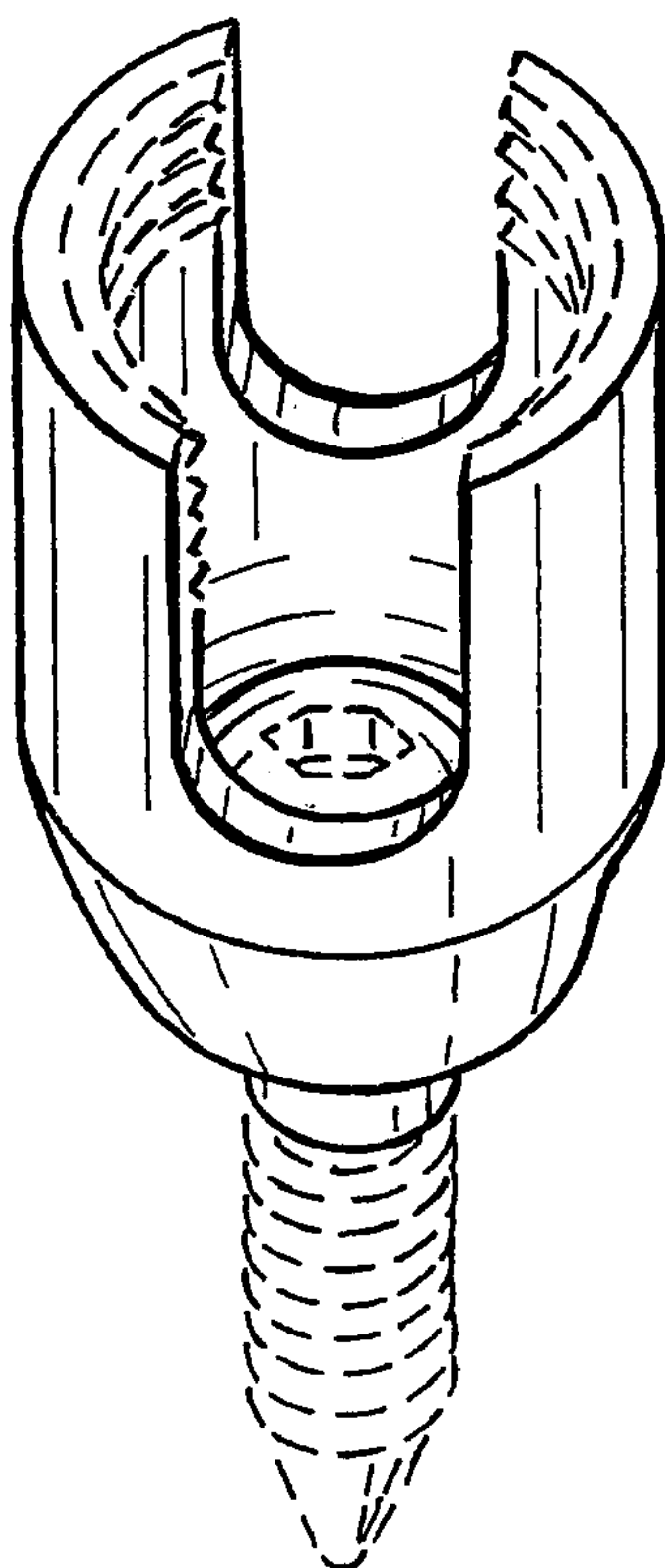


Fig. 6

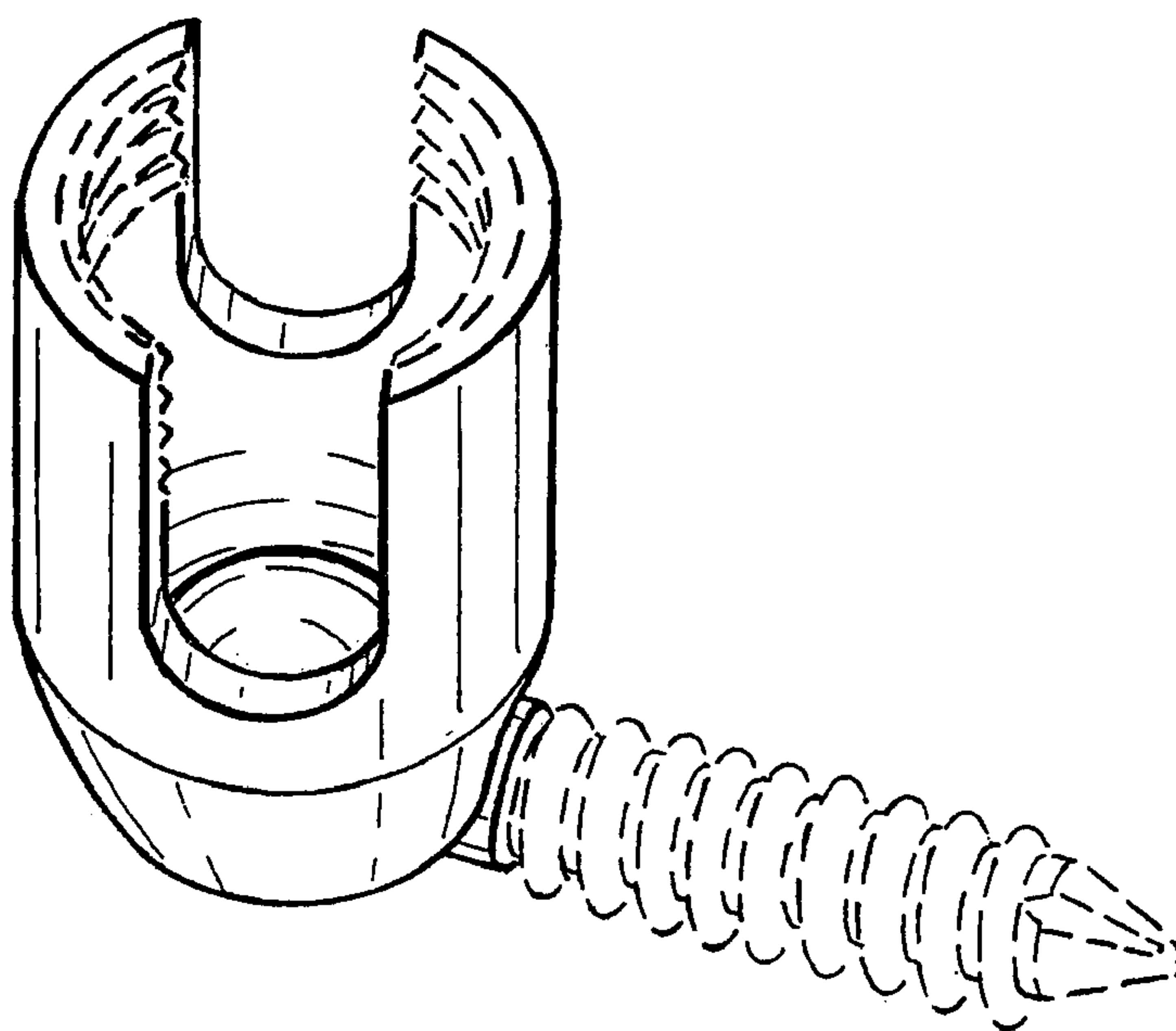


Fig. 7

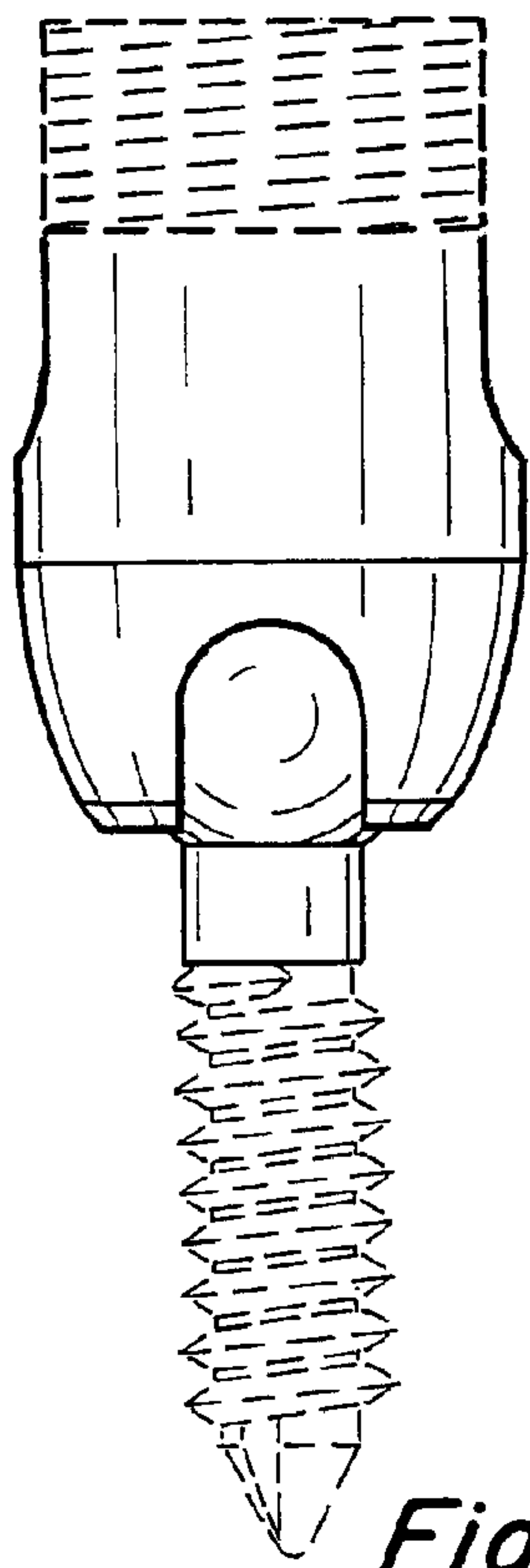


Fig. 8

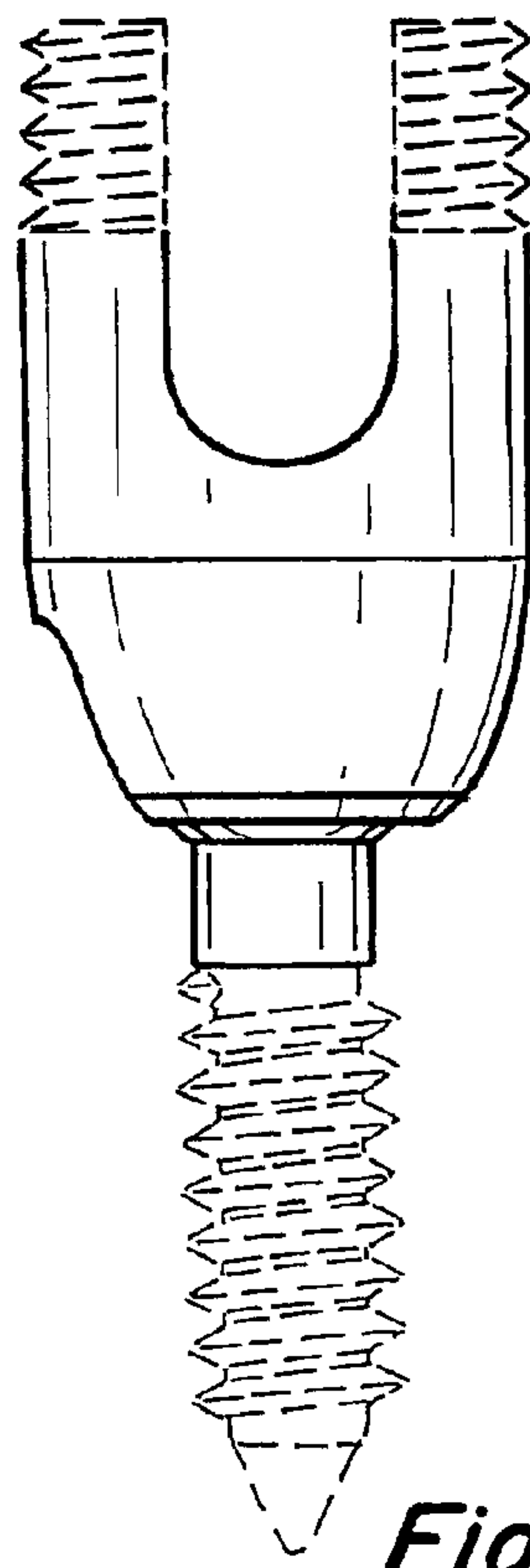


Fig. 9

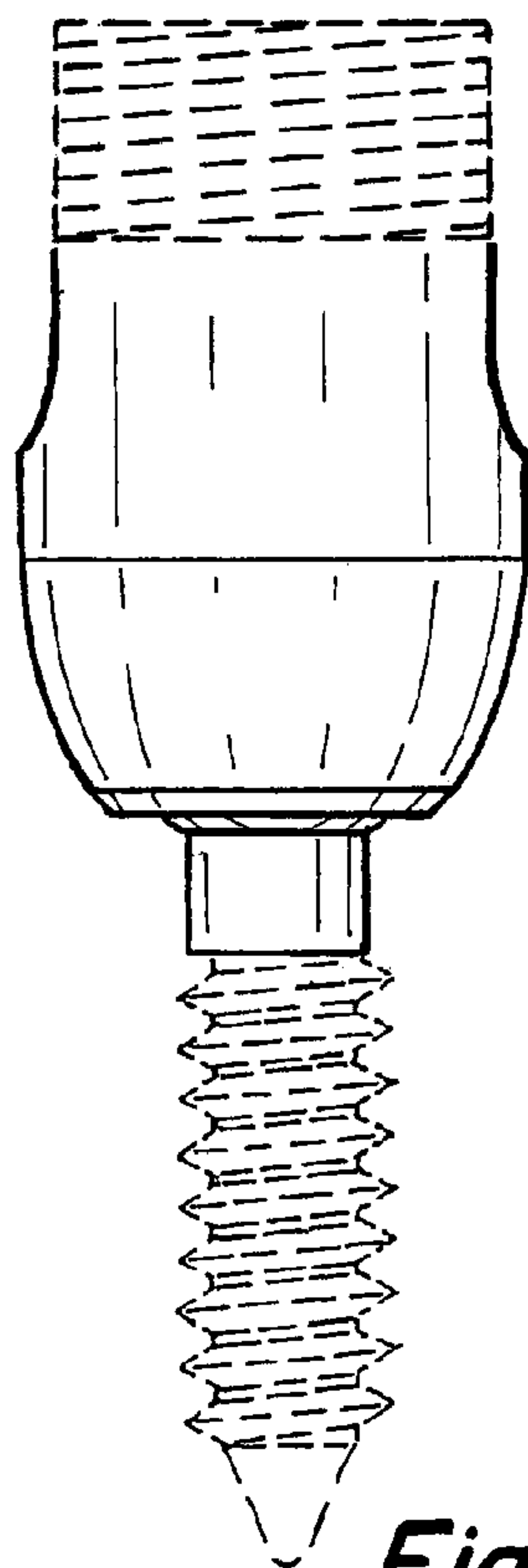


Fig. 10

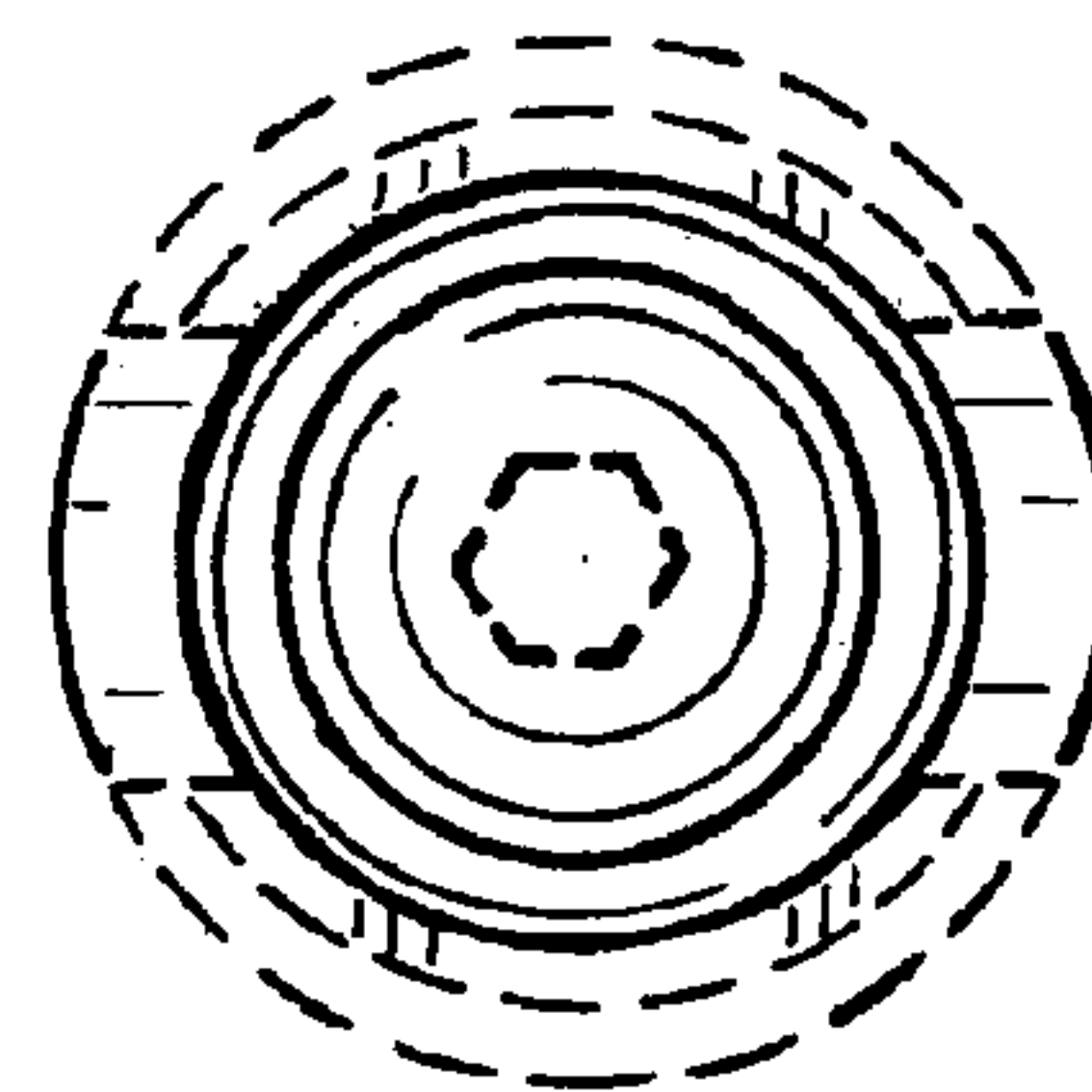


Fig. 11

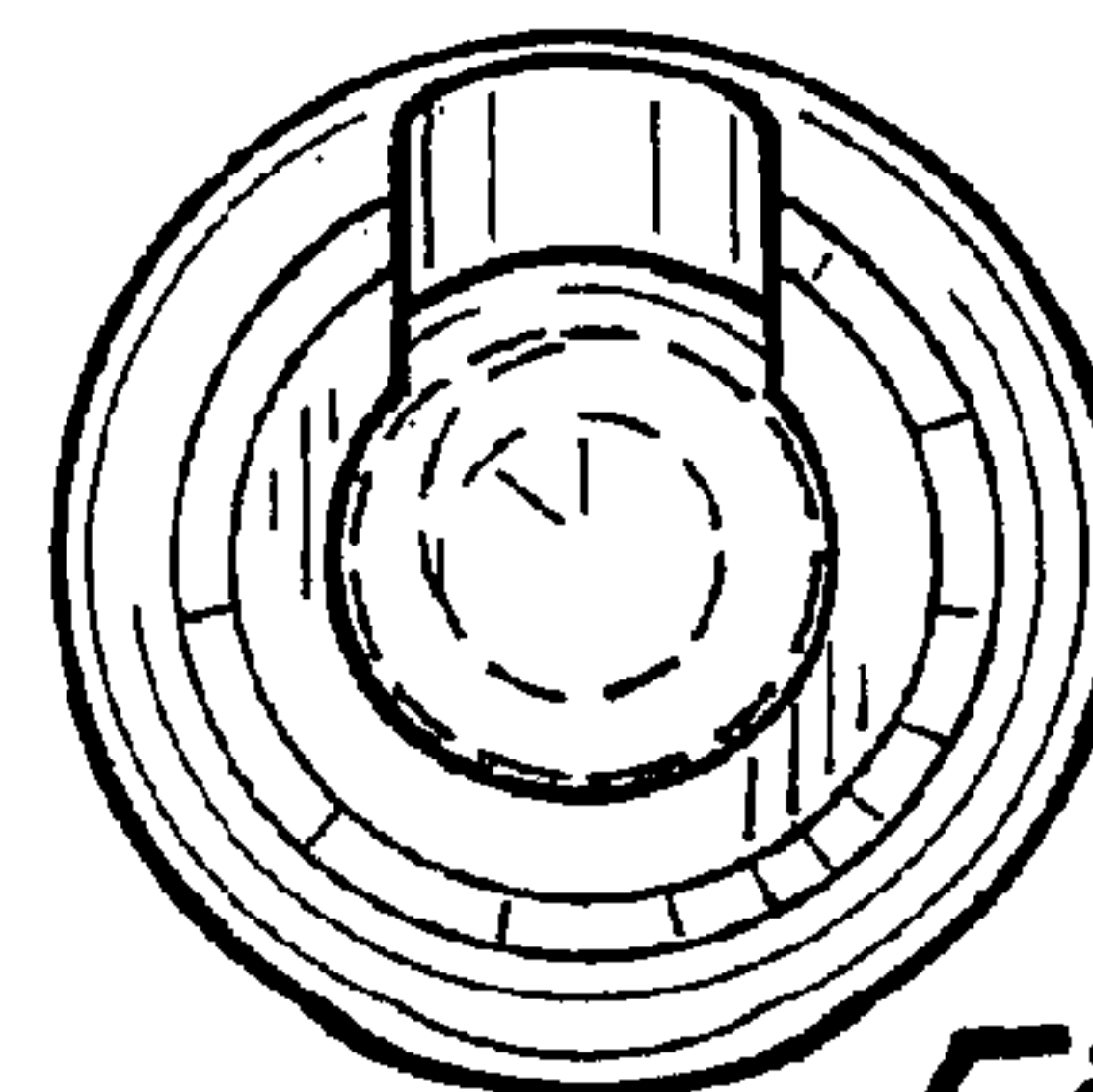


Fig. 12

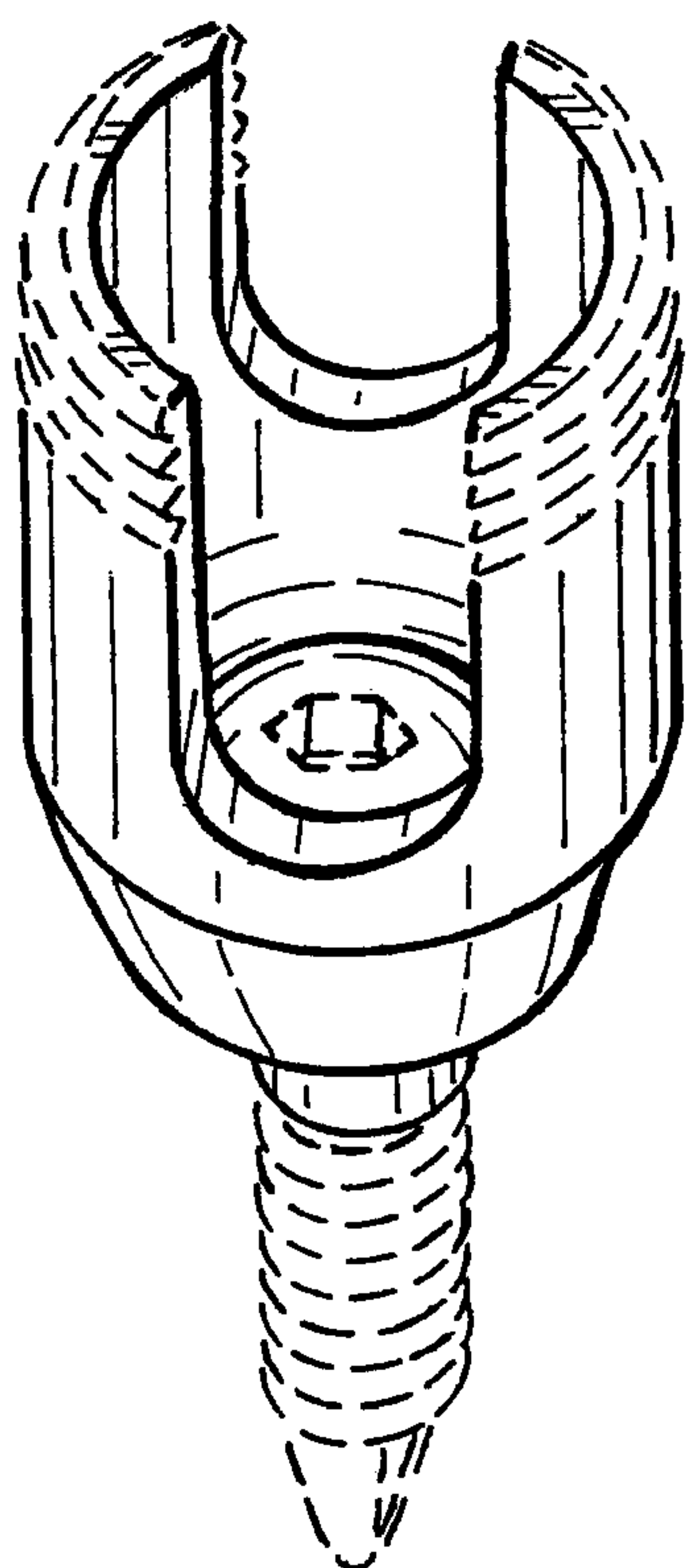


Fig. 13

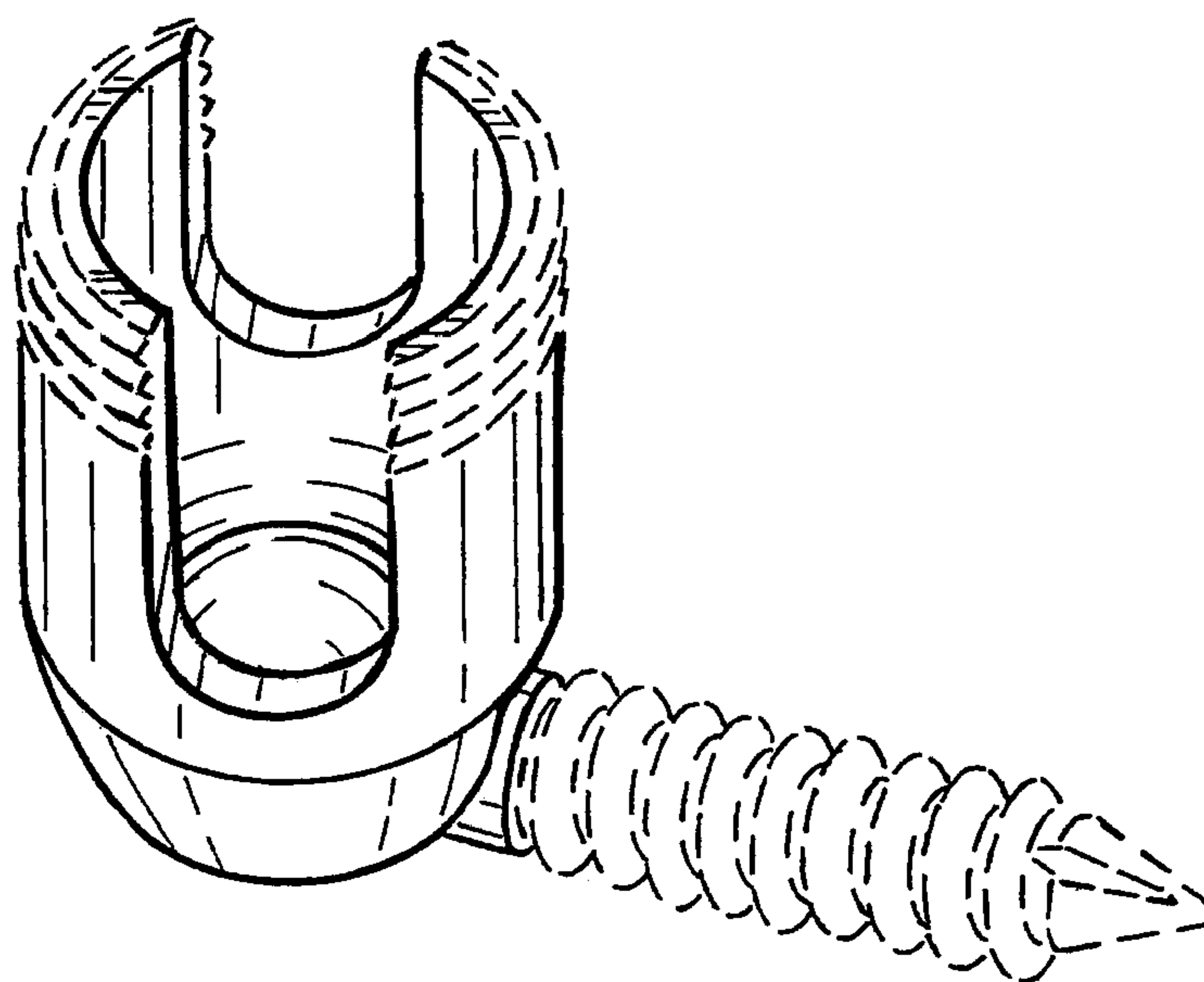


Fig. 14

UNITED STATES PATENT AND TRADEMARK OFFICE
CERTIFICATE OF CORRECTION

PATENT NO. : Des. 601,702 S
APPLICATION NO. : 29/313777
DATED : October 6, 2009
INVENTOR(S) : Yechiel Gotfried

Page 1 of 1

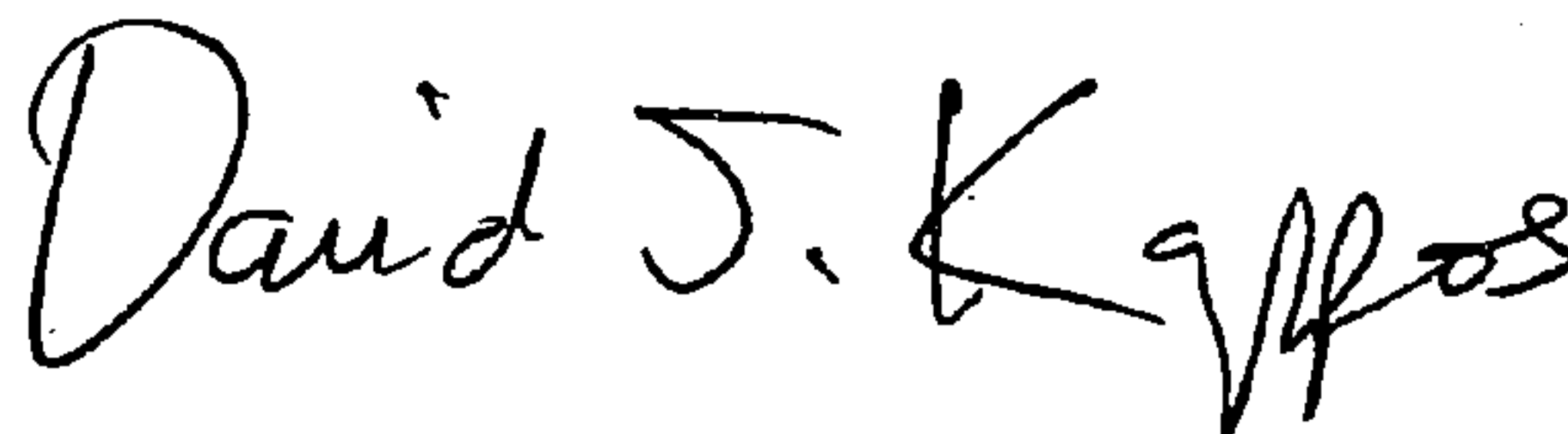
It is certified that error appears in the above-identified patent and that said Letters Patent is hereby corrected as shown below:

On the cover page, please insert the following:

item --(30) Foreign Application Priority Data
August 14, 2008 (EM)000987169--

Signed and Sealed this

Eighth Day of December, 2009



David J. Kappos
Director of the United States Patent and Trademark Office