



US00D601701S

(12) **United States Design Patent**  
**Gotfried**

(10) **Patent No.:** **US D601,701 S**  
(45) **Date of Patent:** **\*\* Oct. 6, 2009**

(54) **SURGICAL INSTRUMENT**

(76) Inventor: **Yecheil Gotfried**, 16, Usha Street, Kiryat Motzkin 26364 (IL)

(\*\*) Term: **14 Years**

(21) Appl. No.: **29/313,186**

(22) Filed: **Dec. 12, 2008**

(30) **Foreign Application Priority Data**

Jun. 13, 2008 (EM) ..... 000950480

(51) **LOC (9) Cl.** ..... **24-02**

(52) **U.S. Cl.** ..... **D24/145**

(58) **Field of Classification Search** ..... D24/133,  
D24/140, 145; 606/62-67, 71, 80, 86 R;  
623/23.26, 23.27

See application file for complete search history.

(56) **References Cited**

**U.S. PATENT DOCUMENTS**

4,338,926	A *	7/1982	Kummer et al.	606/70
5,441,500	A *	8/1995	Seidel et al.	606/67
6,514,253	B1 *	2/2003	Yao	606/53
6,702,823	B2 *	3/2004	Iaia	606/98
D562,979	S *	2/2008	Doubler et al.	D24/145
7,455,673	B2 *	11/2008	Gotfried	606/62
2006/0015101	A1 *	1/2006	Warburton et al.	606/62
2006/0200144	A1 *	9/2006	Warburton	606/62
2007/0244565	A1 *	10/2007	Stchur	623/19.14

2007/0288019	A1 *	12/2007	Schlienger et al.	606/64
2008/0058813	A1 *	3/2008	Gotfried	606/62
2008/0058814	A1 *	3/2008	Gotfried	606/62
2008/0091203	A1 *	4/2008	Warburton et al.	606/62
2008/0195098	A1 *	8/2008	Gotfried	606/62

\* cited by examiner

*Primary Examiner*—Ian Simmons

*Assistant Examiner*—Wan Laymon

(74) *Attorney, Agent, or Firm*—Robert P. Michal; Frishauf, Holtz, Goodman & Chick, P.C.

(57) **CLAIM**

The ornamental design for a surgical instrument, as shown and described.

**DESCRIPTION**

FIG. 1 is a top, front, left side perspective view thereof;

FIG. 2 is an enlarged fragmentary view of the portion shown in the box 2 in FIG. 1;

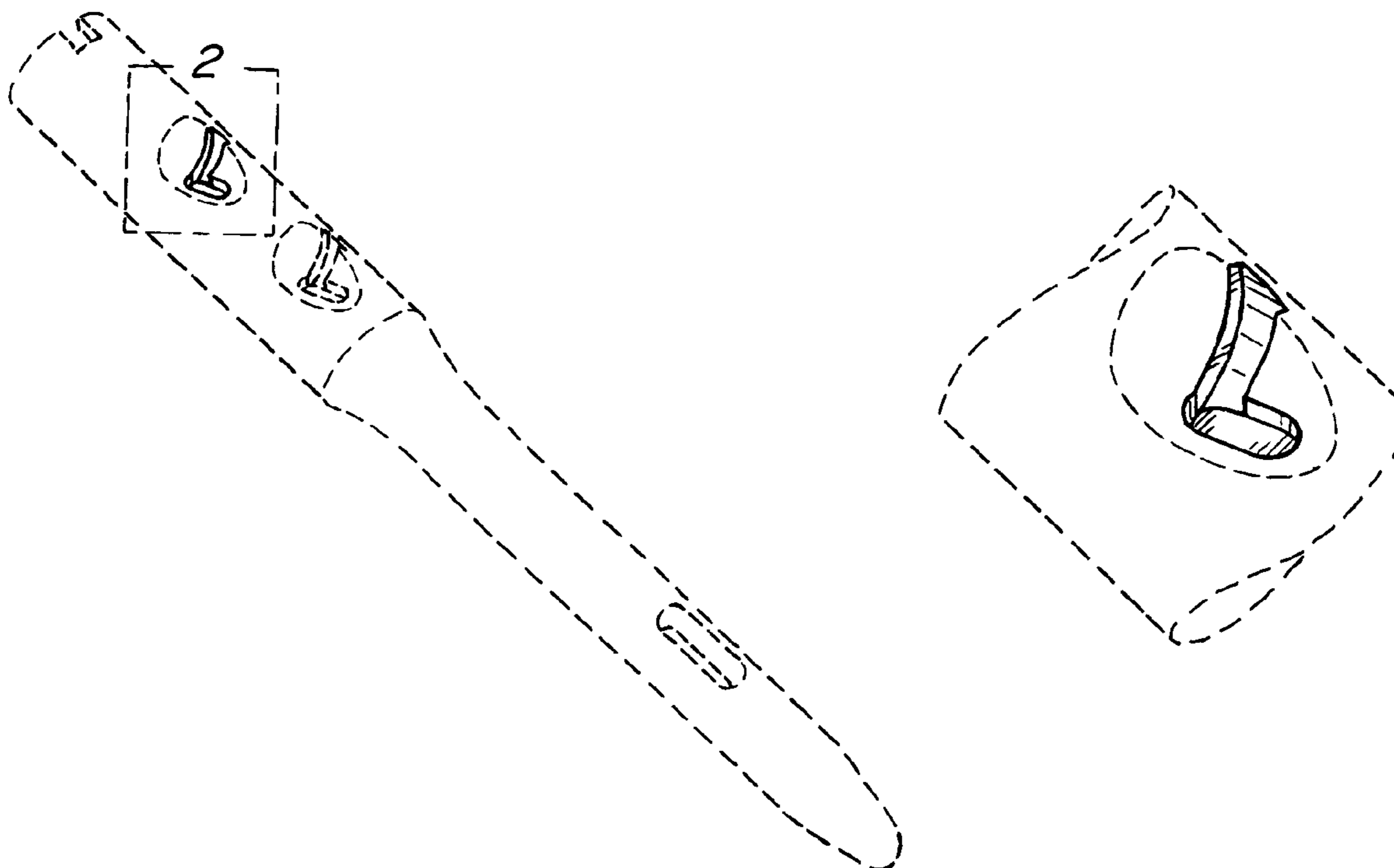
FIG. 3 is a top plan view thereof;

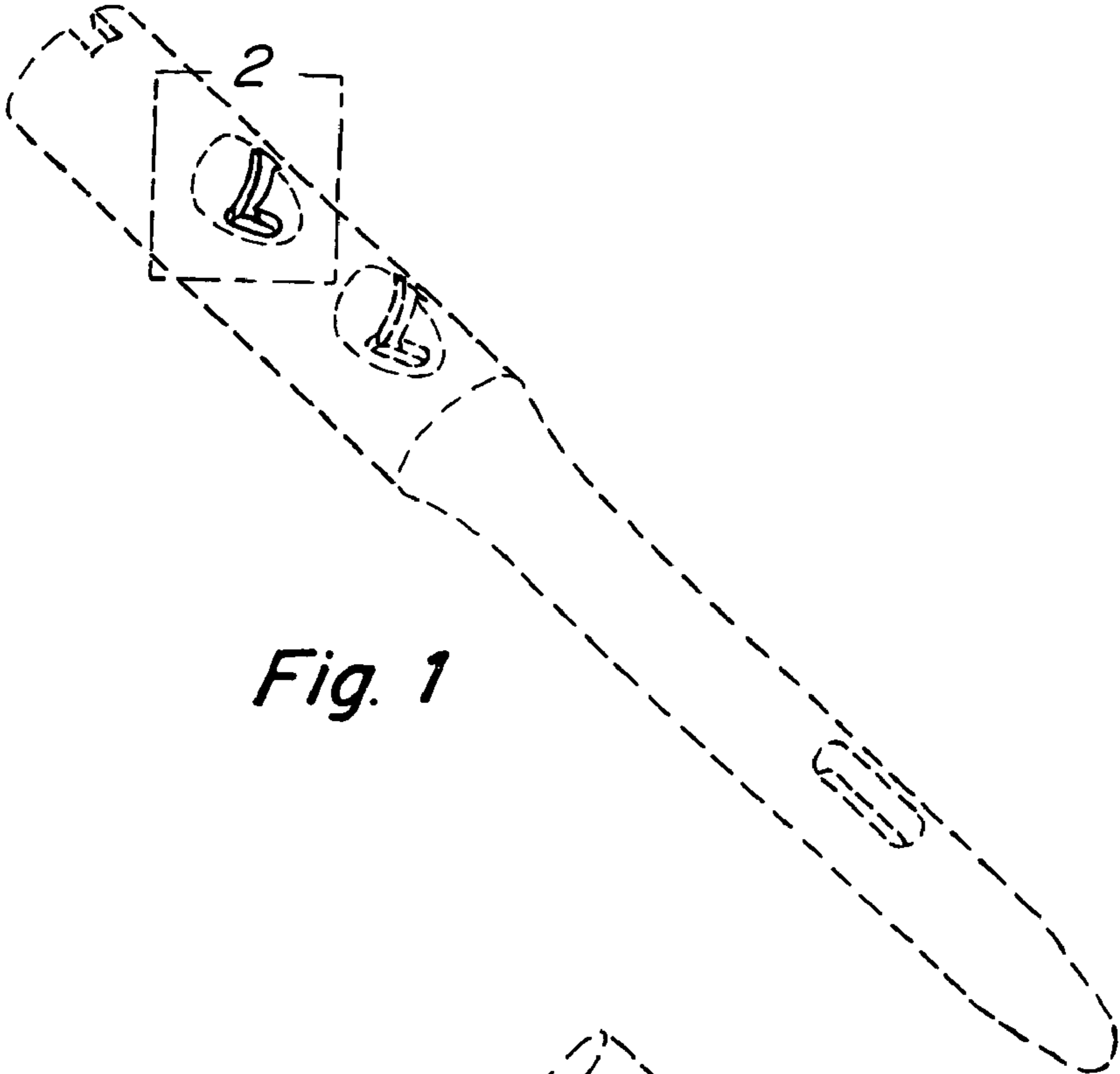
FIG. 4 is a cross-sectional side view taken along line 4—4 of FIG. 3; and,

FIG. 5 is a cross-sectional end view taken along line 5—5 of FIG. 3.

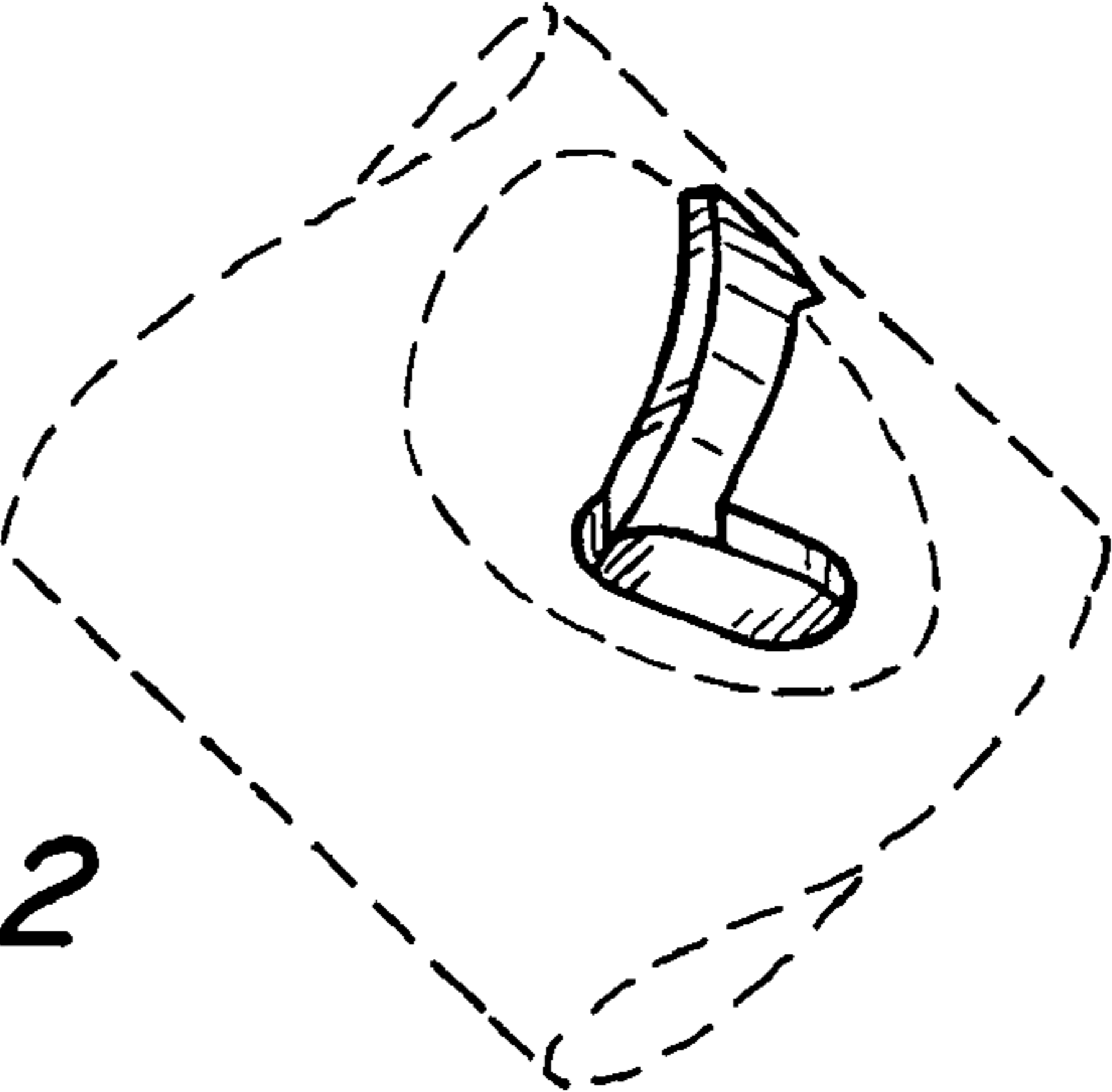
The broken lines representing portions of the instrument are included for environmental purposes only and form no part of the claimed design.

**1 Claim, 2 Drawing Sheets**

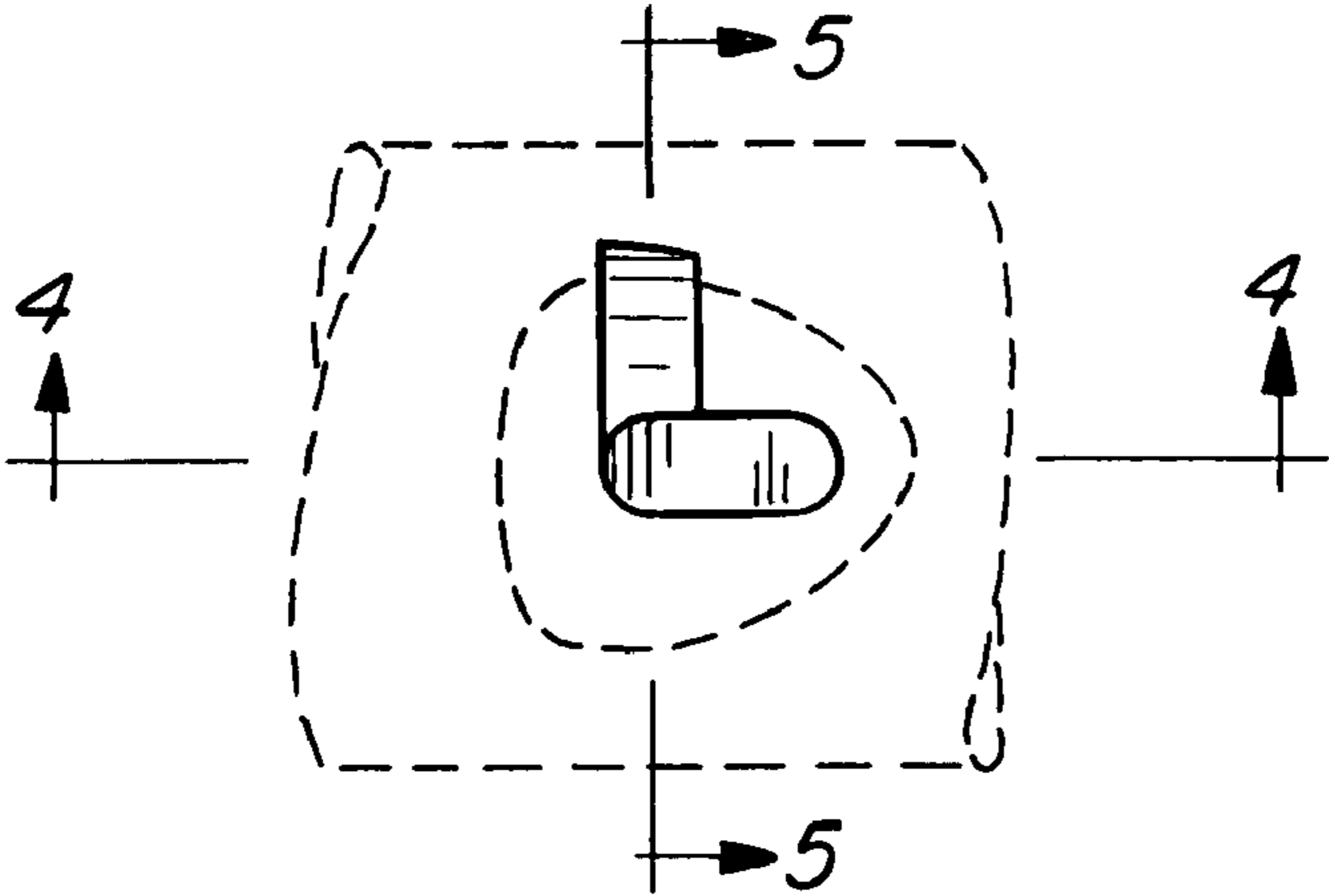




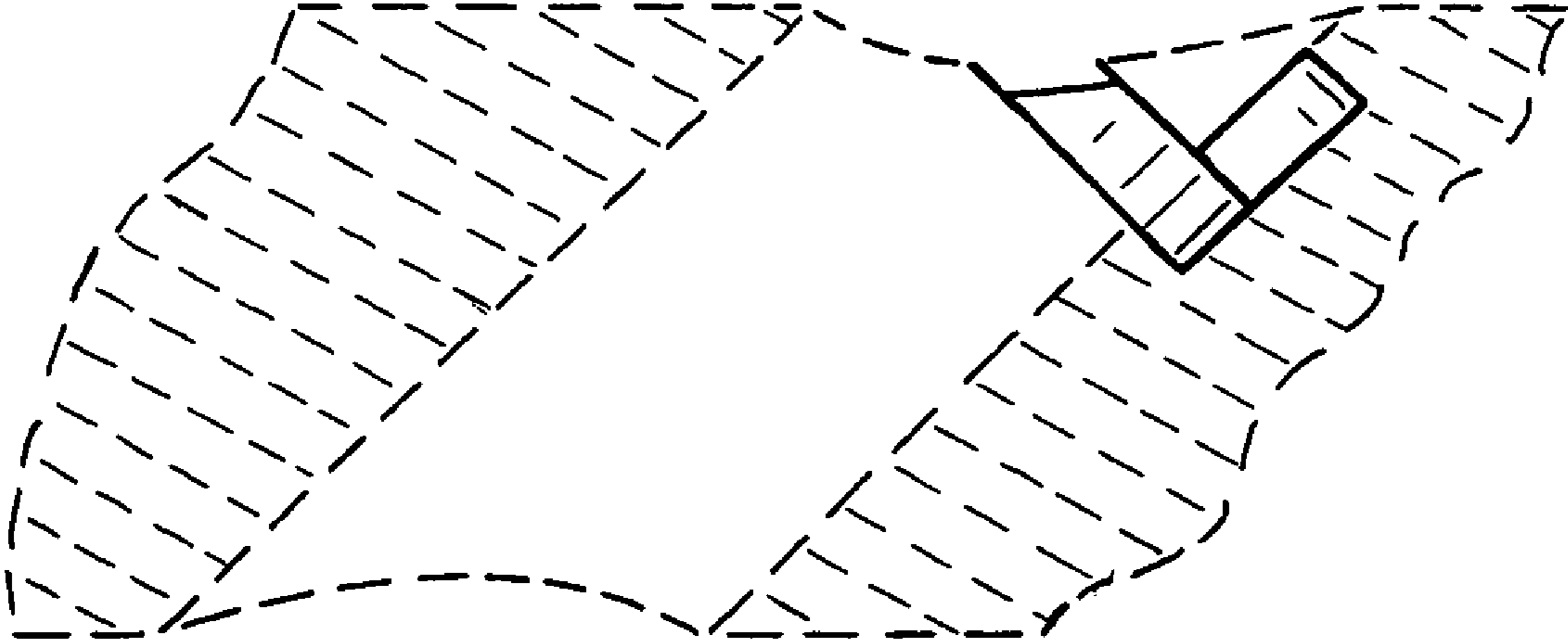
*Fig. 1*



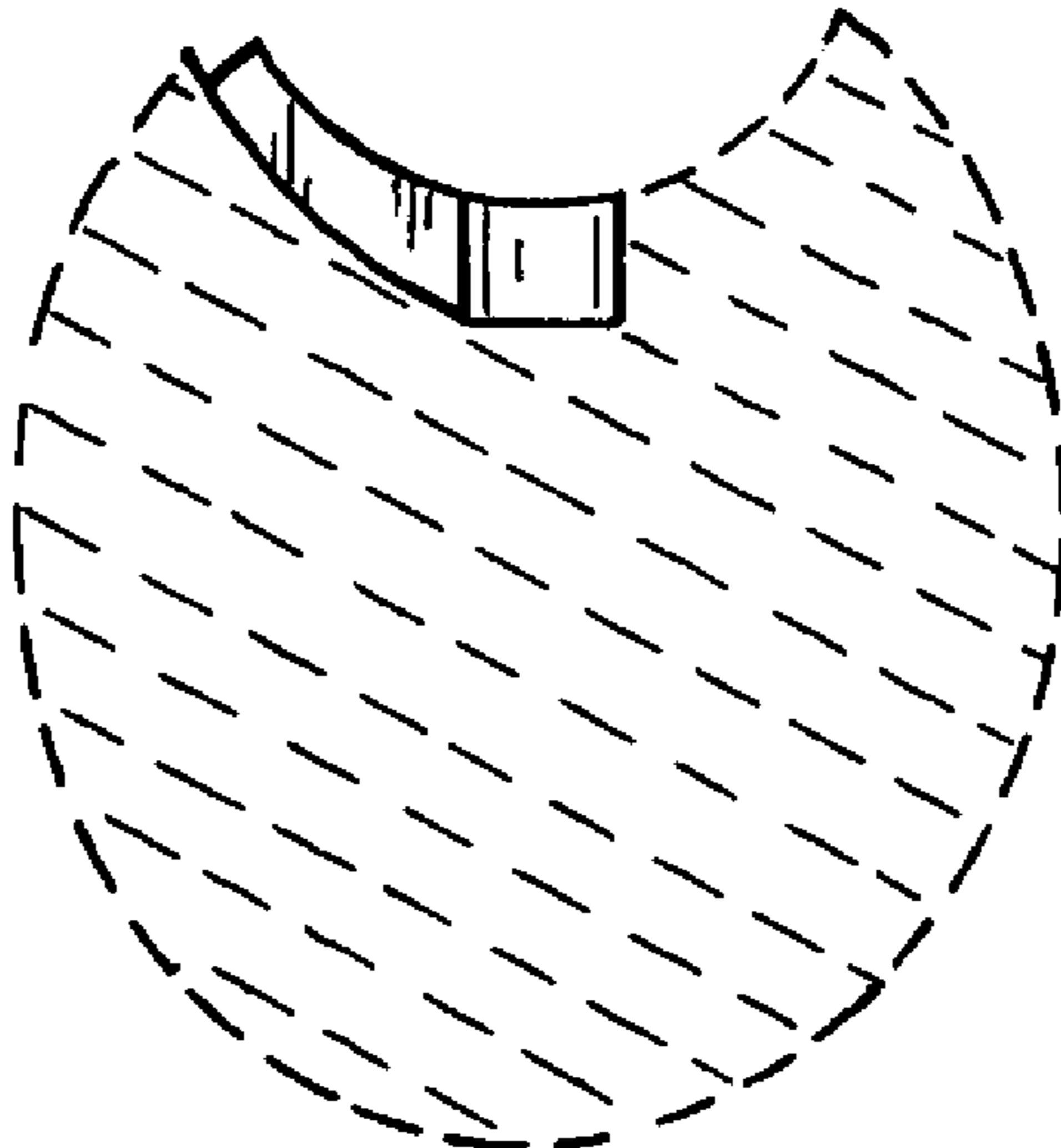
*Fig. 2*



*Fig. 3*



*Fig. 4*



*Fig. 5*