



US00D601699S

(12) **United States Design Patent**
Urushihata

(10) **Patent No.:** **US D601,699 S**

(45) **Date of Patent:** **** Oct. 6, 2009**

(54) **INDUSTRIAL ENDOSCOPE**

(75) Inventor: **Mutsumi Urushihata**, Yokoyhama (JP)

(73) Assignee: **Olympus Corporation**, Tokyo (JP)

(**) Term: **14 Years**

(21) Appl. No.: **29/283,295**

(22) Filed: **Aug. 9, 2007**

(30) **Foreign Application Priority Data**

Feb. 28, 2007 (JP) 2007-005151

(51) **LOC (9) Cl.** **24-02**

(52) **U.S. Cl.** **D24/138**

(58) **Field of Classification Search** D24/137-138;
600/110, 131-132, 136-139, 129, 158, 160,
600/146, 163, 167, 197

See application file for complete search history.

(56) **References Cited**

U.S. PATENT DOCUMENTS

D269,457 S *	6/1983	Ishiwara	D24/138
D277,505 S *	2/1985	Kubokawa et al.	D24/138
D284,028 S *	5/1986	Seager	D24/138
5,035,231 A *	7/1991	Kubokawa et al.	600/109
5,447,148 A *	9/1995	Oneda et al.	600/131
D481,124 S *	10/2003	Hayamizu	D24/138
D493,529 S *	7/2004	Hayamizu et al.	D24/138

D534,656 S *	1/2007	Pilvisto et al.	D24/138
2007/0230075 A1 *	10/2007	Murata et al.	361/58
2008/0207993 A1 *	8/2008	Maruyama et al.	600/101
2008/0207998 A1 *	8/2008	Maruyama	600/114
2008/0208002 A1 *	8/2008	Maruyama	600/131

* cited by examiner

Primary Examiner—Ian Simmons

Assistant Examiner—Wan Laymon

(74) *Attorney, Agent, or Firm*—Hogan & Hartson LLP

(57) **CLAIM**

The ornamental design for an industrial endoscope, as shown and described.

DESCRIPTION

FIG. 1 is a front, top and right side perspective view of an industrial endoscope showing my new design;

FIG. 2 is a front elevational view thereof;

FIG. 3 is a rear elevational view thereof;

FIG. 4 is a top plan view thereof;

FIG. 5 is a bottom plan view thereof;

FIG. 6 is a right side elevational view thereof; and,

FIG. 7 is a left side elevational view thereof.

The broken line showing the U shape in FIGS. 6 and 7 is for environmental purposes only and forms no part of the claimed design.

1 Claim, 5 Drawing Sheets

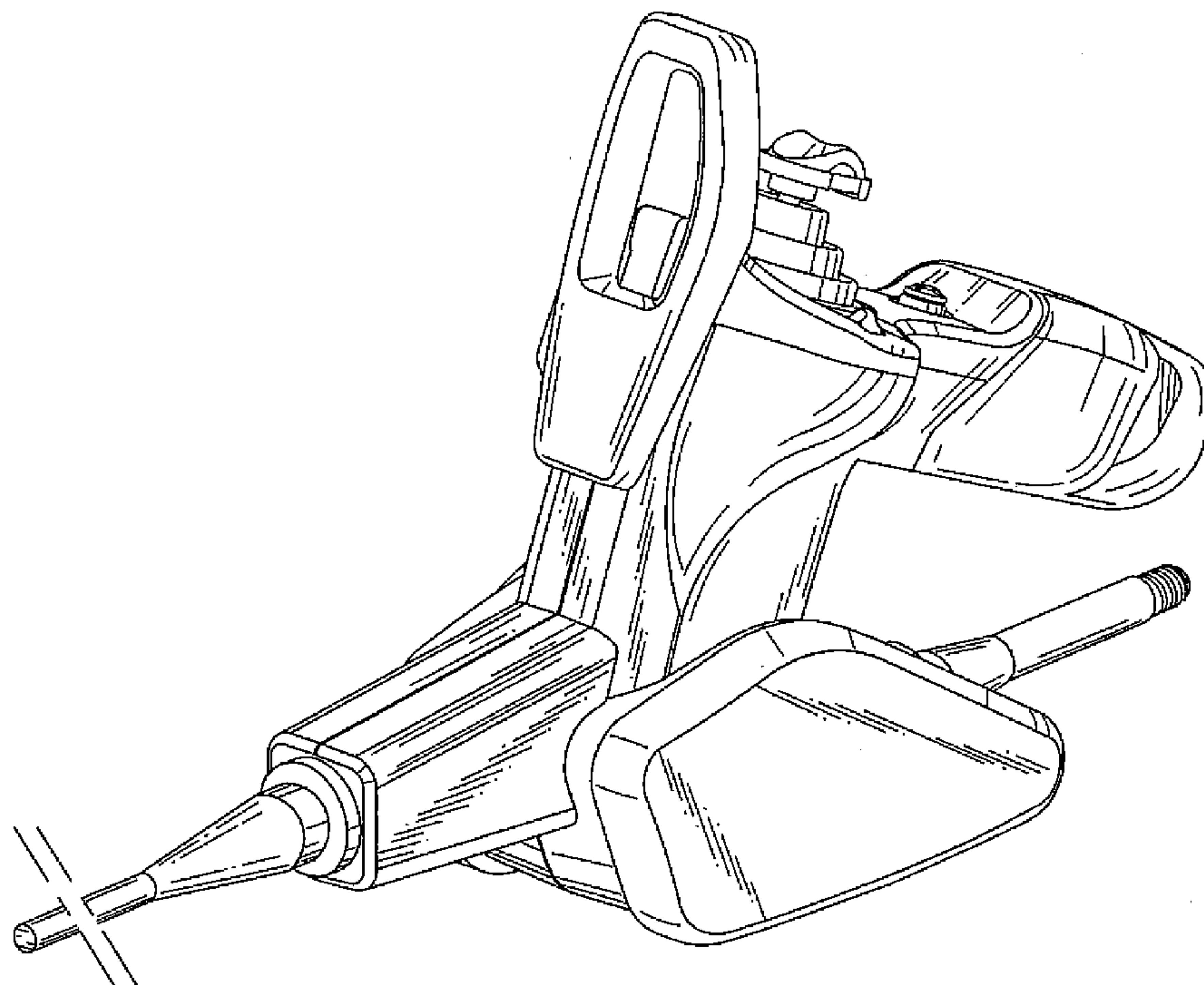


FIG.1

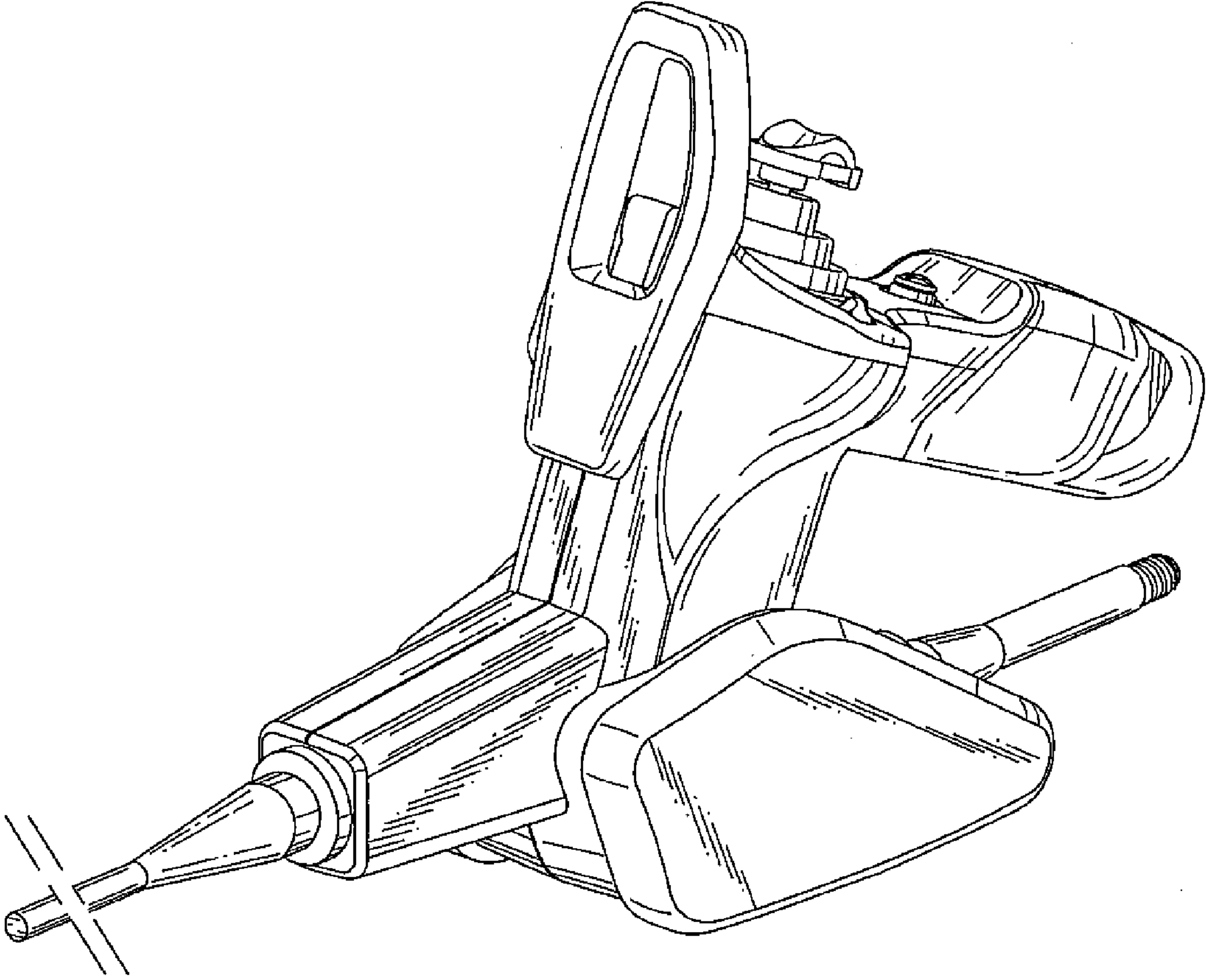


FIG.2

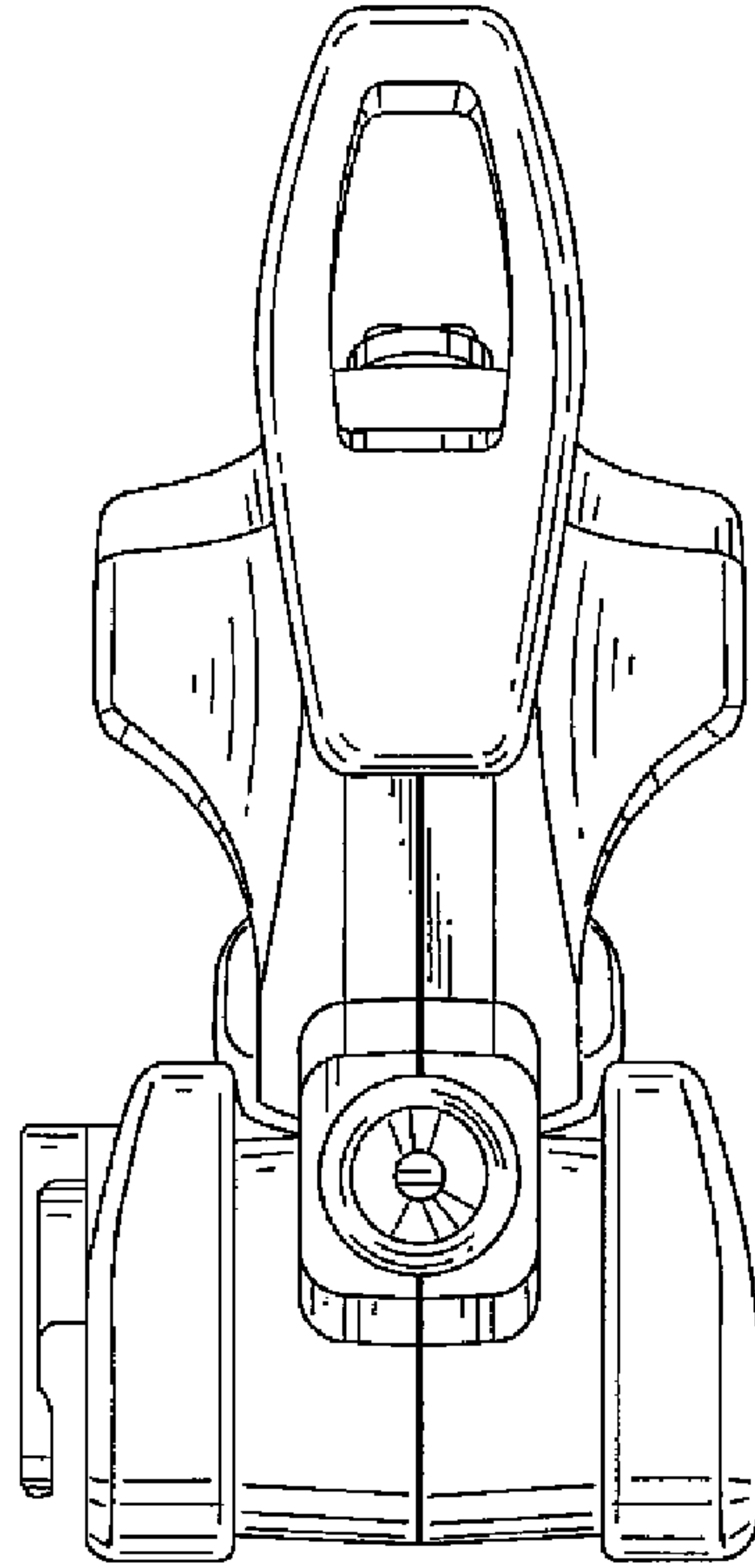


FIG.3

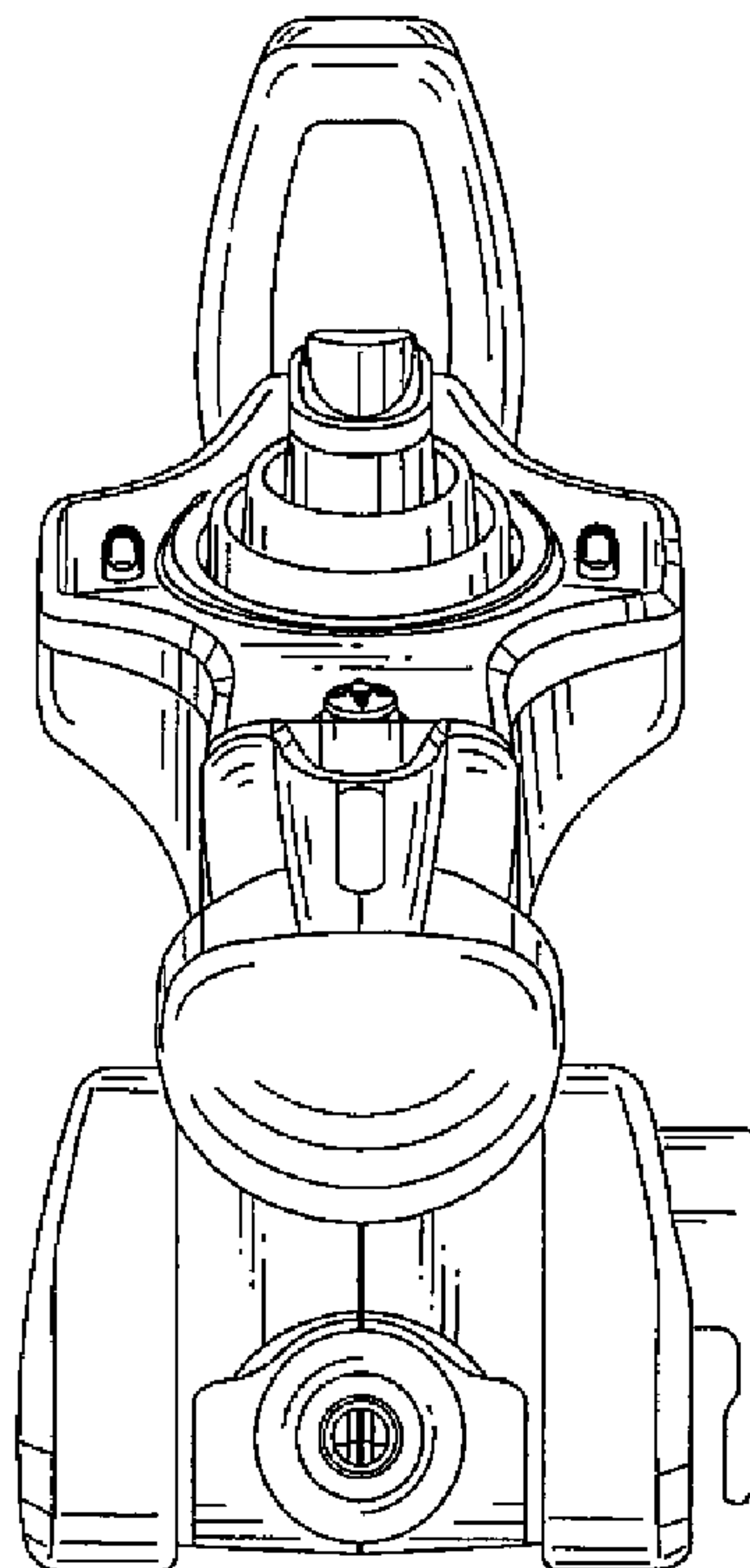


FIG.4

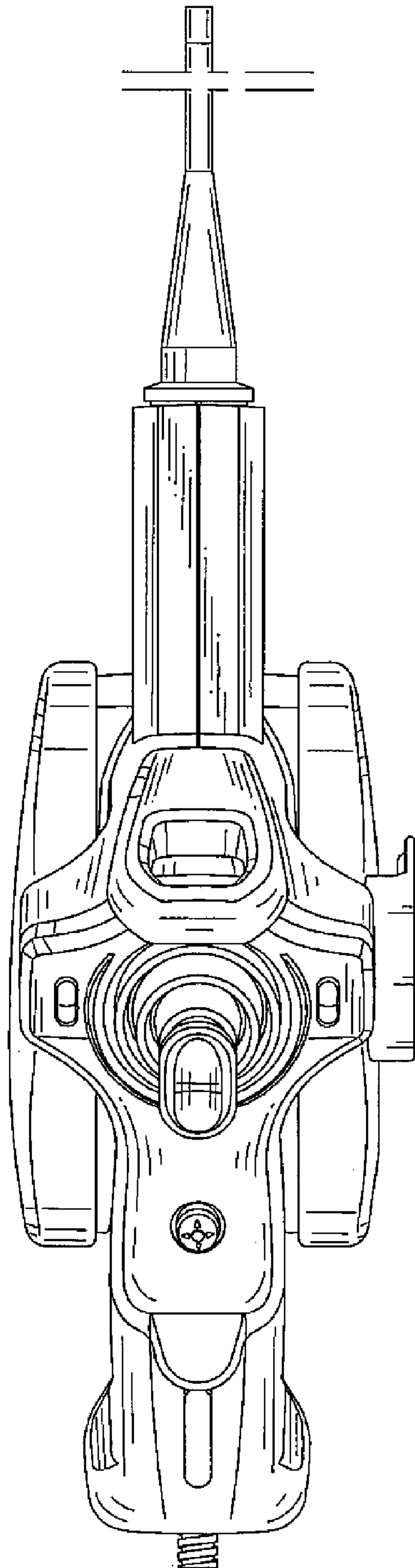


FIG.5

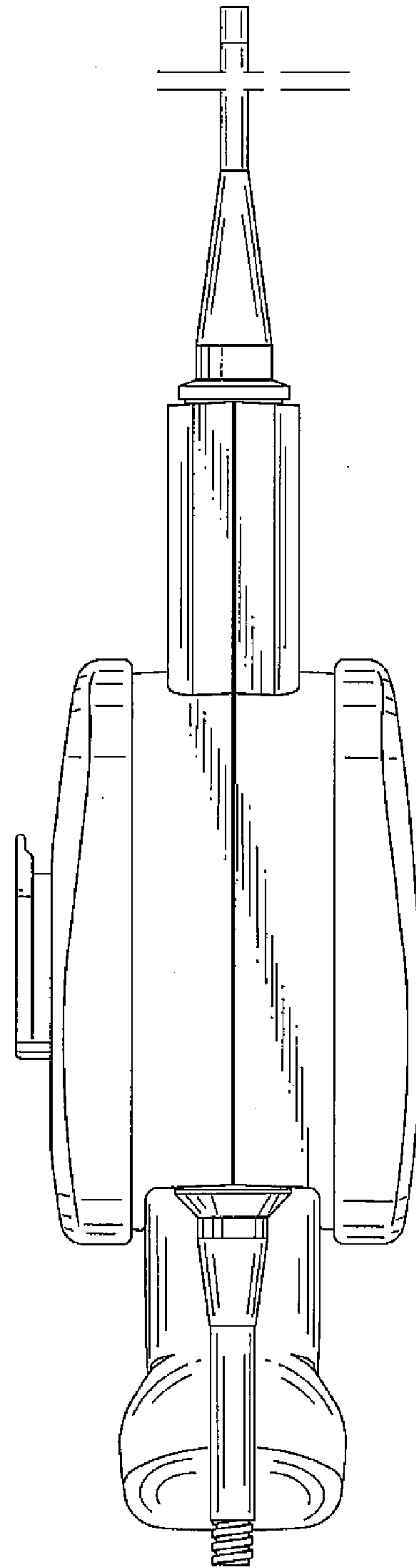


FIG.6

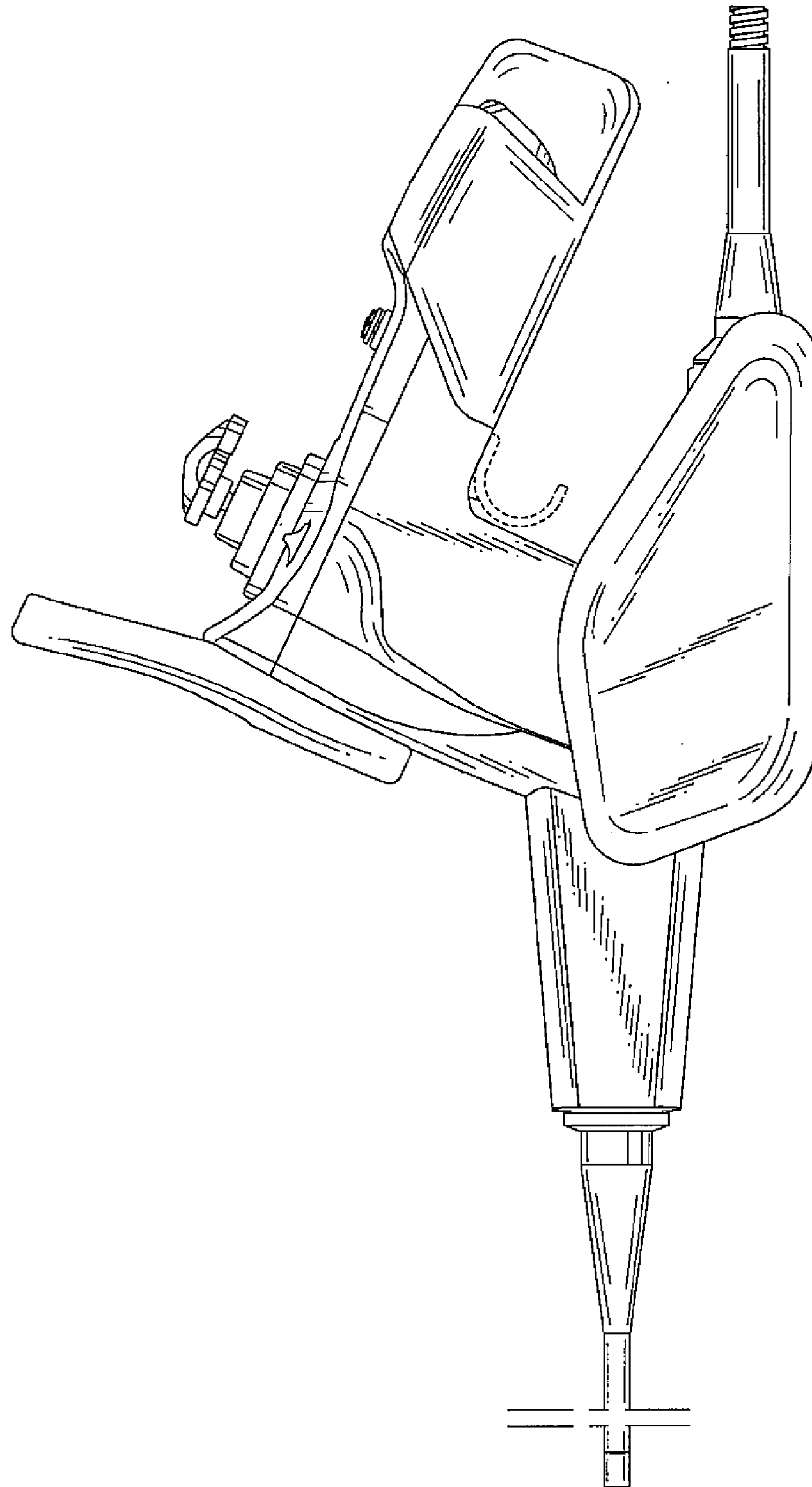


FIG.7

