



US00D601694S

(12) **United States Design Patent**
Rocklin

(10) **Patent No.:** **US D601,694 S**

(45) **Date of Patent:** **** Oct. 6, 2009**

(54) **HYGIENIC CLEANSING APPARATUS**

(76) **Inventor:** **Glen Rocklin**, P.O. Box 4278, Culver City, CA (US) 90231-4278

(**) **Term:** **14 Years**

(21) **Appl. No.:** **29/288,996**

(22) **Filed:** **Jun. 28, 2007**

(51) **LOC (9) Cl.** **24-02**

(52) **U.S. Cl.** **D24/111**

(58) **Field of Classification Search** D24/111,
D24/174, 176, 152; 433/81, 84, 85, 80, 88,
433/89, 100; 601/161-165

See application file for complete search history.

(56) **References Cited**

U.S. PATENT DOCUMENTS

D246,667	S	*	12/1977	Mackay et al.	D24/111
4,114,194	A	*	9/1978	Walter	366/111
4,141,352	A	*	2/1979	Ebner et al.	601/162
D266,117	S	*	9/1982	Oberheim	D4/101
4,989,590	A	*	2/1991	Baum et al.	601/163
D318,918	S	*	8/1991	Hartwein	D24/111
D356,864	S	*	3/1995	Woog	D24/111
5,399,089	A	*	3/1995	Eichman et al.	433/80
D403,511	S	*	1/1999	Serbinski	D4/108
6,475,173	B1	*	11/2002	Bachman et al.	601/162
D484,971	S	*	1/2004	Hartwein	D24/111
D510,433	S	*	10/2005	Kling et al.	D24/111
D513,638	S	*	1/2006	Pan	D24/111
D538,929	S	*	3/2007	Chuang	D24/112

* cited by examiner

Primary Examiner—Ian Simmons
Assistant Examiner—Carissa C Fitts

(74) *Attorney, Agent, or Firm*—Bay Area IP, LLC; Ariels S. Bentolila

(57) **CLAIM**

The ornamental design for a hygienic cleansing apparatus, as shown and described.

DESCRIPTION

In a preferred embodiment, the nature of this product is as a sinuses and throat hygienic cleansing apparatus, which is primarily useful as a pulsatile irrigator that provides a pulsating cleansing rinse and mist spray for sinus and throat cavities.

FIG. 1 illustrates a front perspective view of the hygienic cleansing apparatus;

FIG. 2 is a front view thereof;

FIG. 3 is a right side view thereof;

FIG. 4 is a top perspective view thereof;

FIG. 5 is a bottom view thereof;

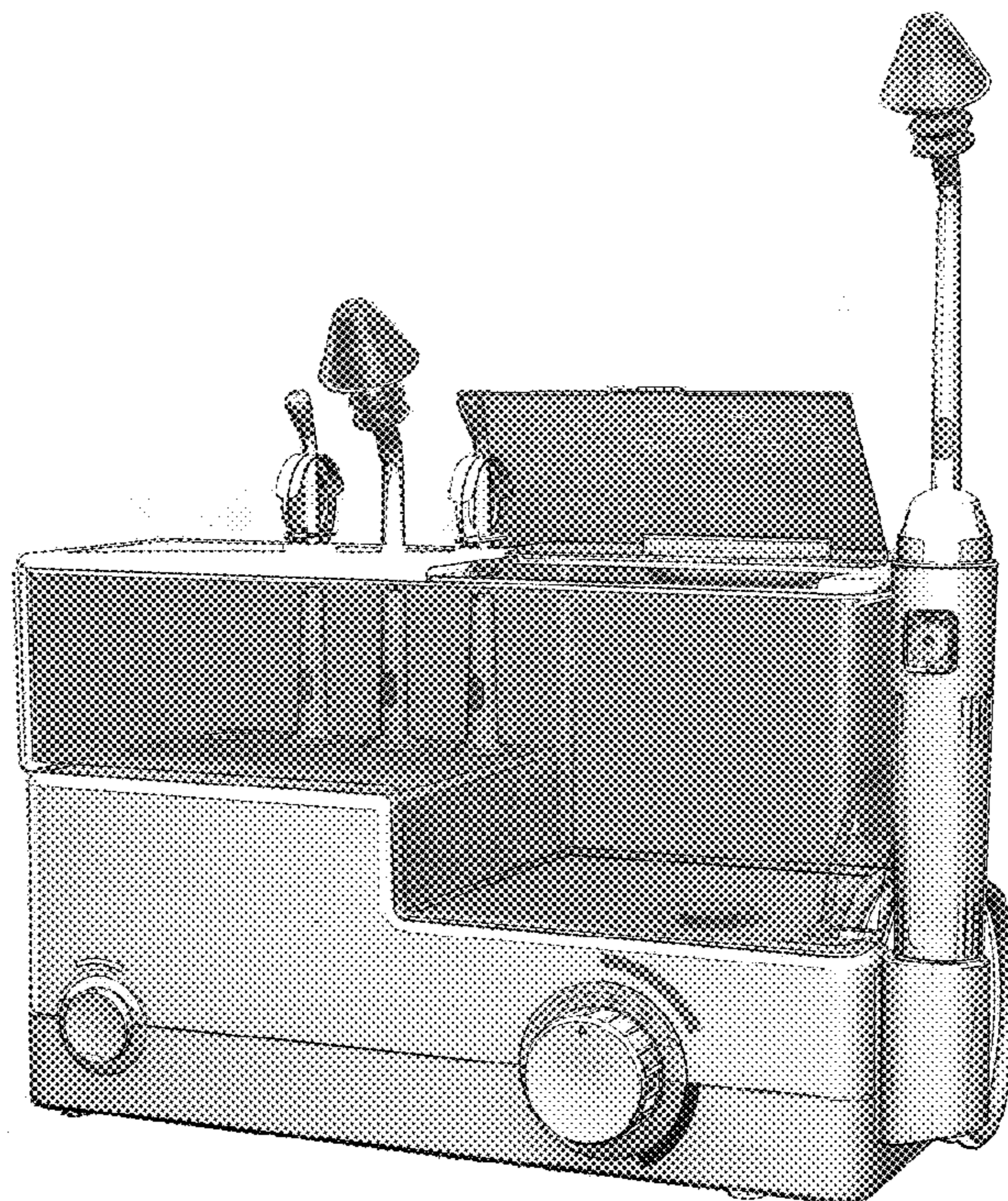
FIG. 6 is a left view thereof;

FIG. 7 is a back perspective view thereof; and

FIG. 8 illustrates a side perspective view zoom in of the conic shaped irrigator tip shown in FIG. 3; and,

FIG. 9 illustrates a side perspective view zoom in of the irrigator tip shown at the far right of FIG. 7.

1 Claim, 8 Drawing Sheets



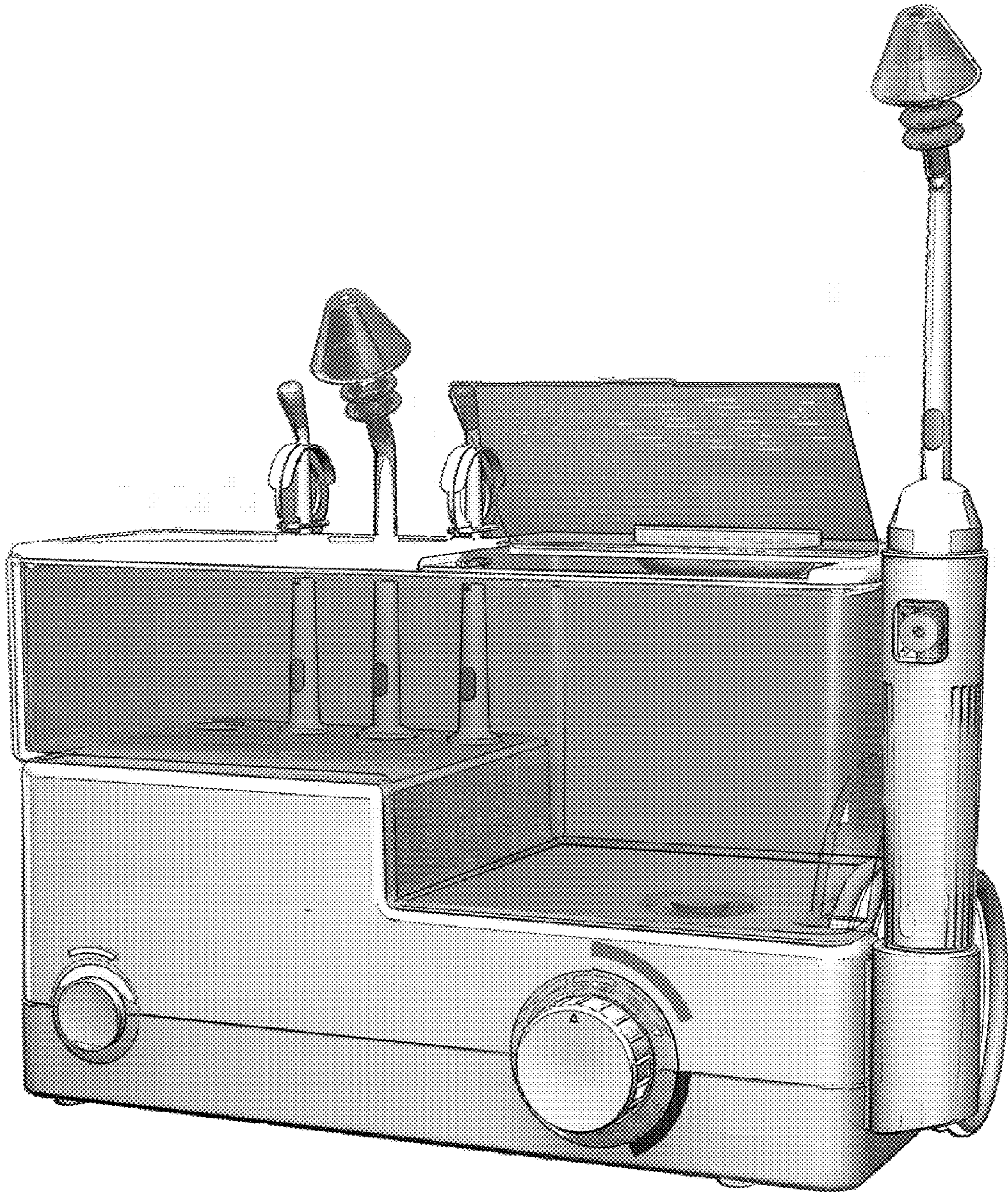


Figure 1

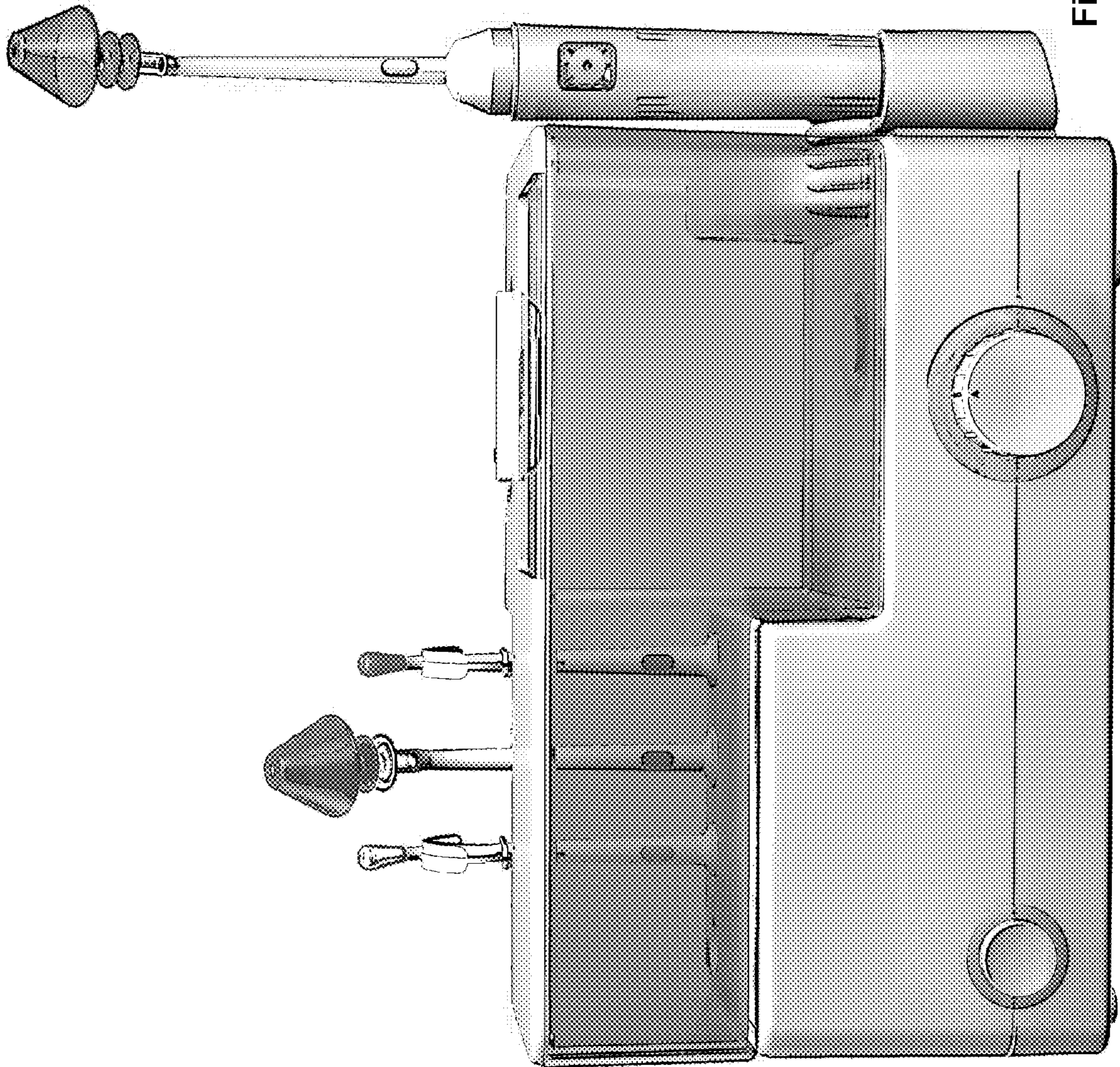


Figure 2

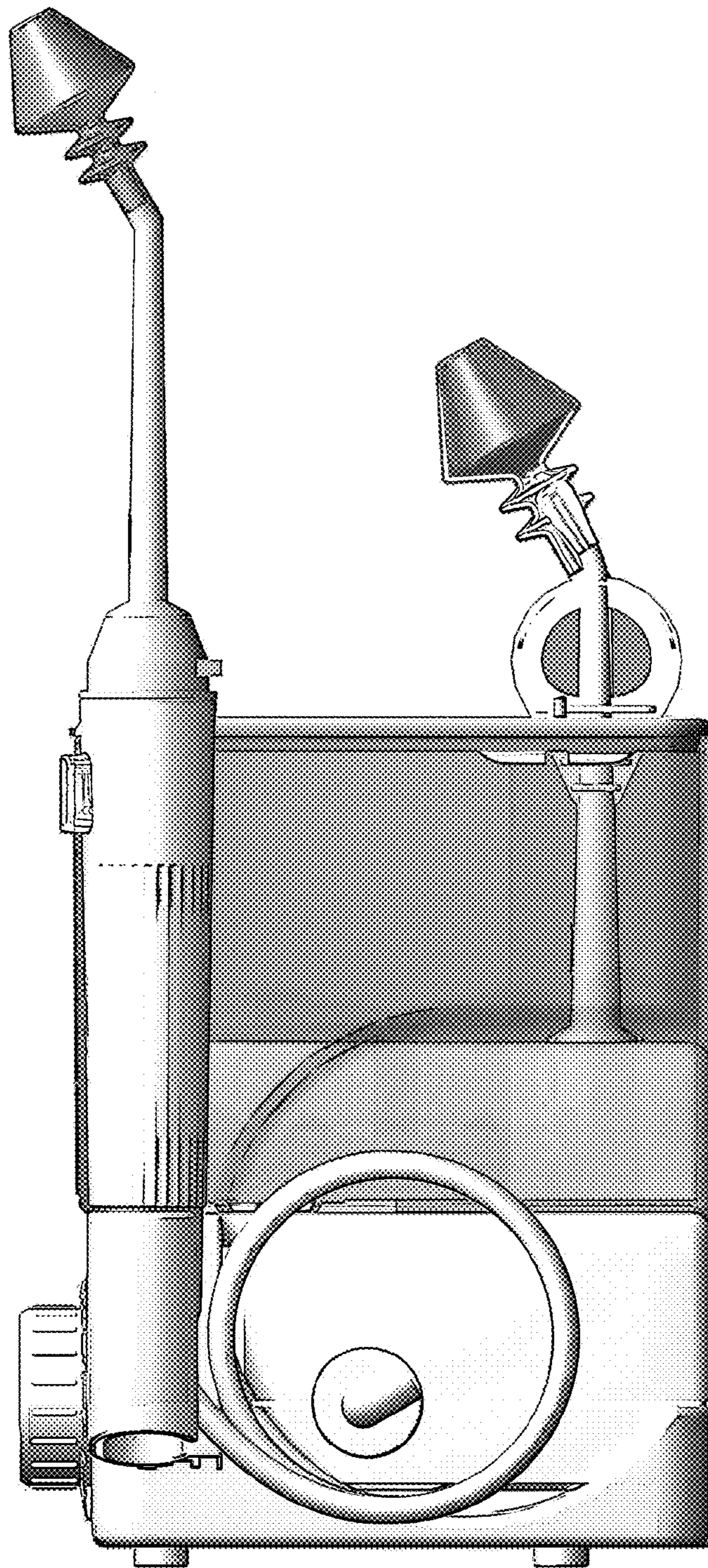


Figure 3

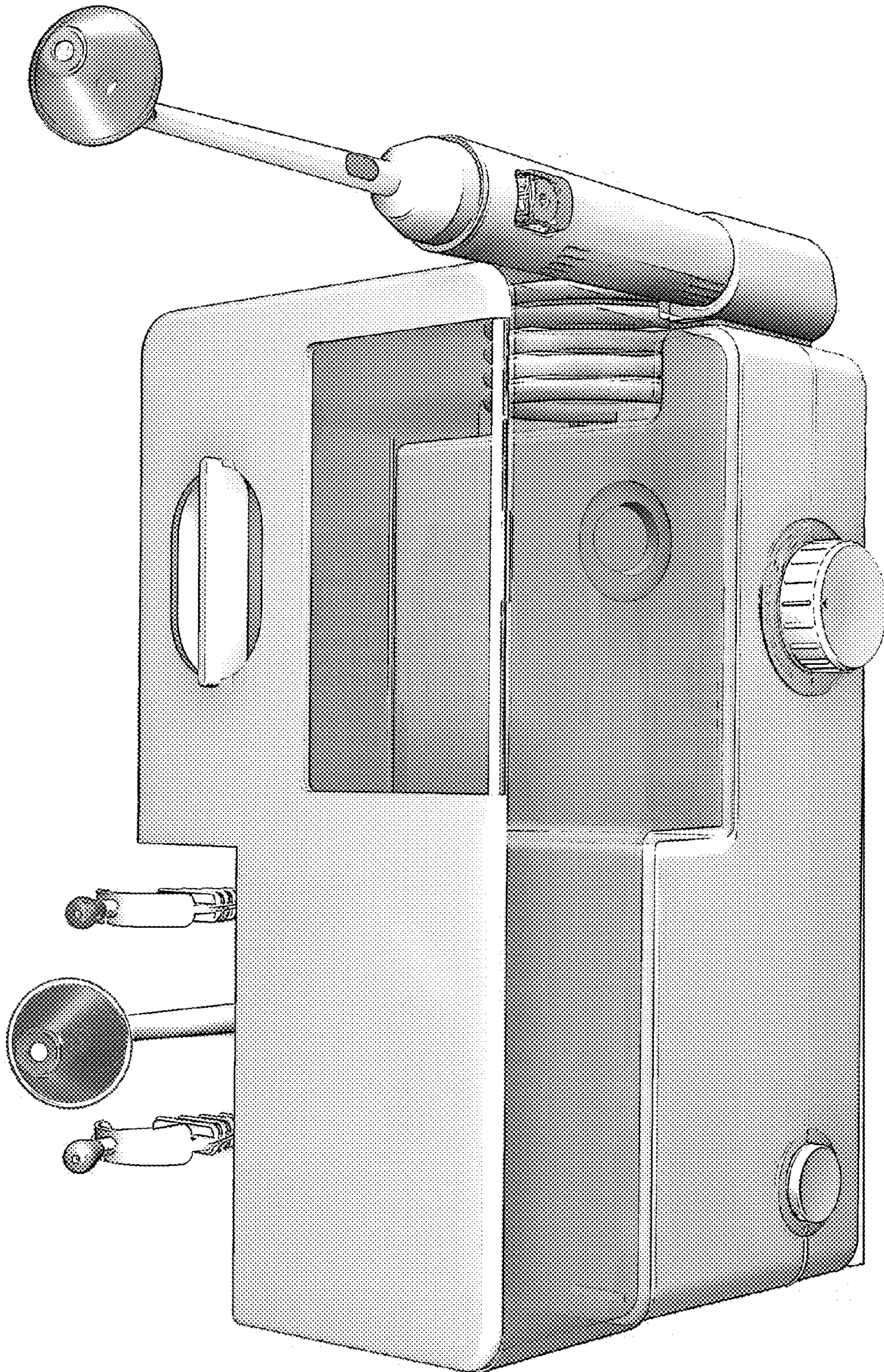


Figure 4

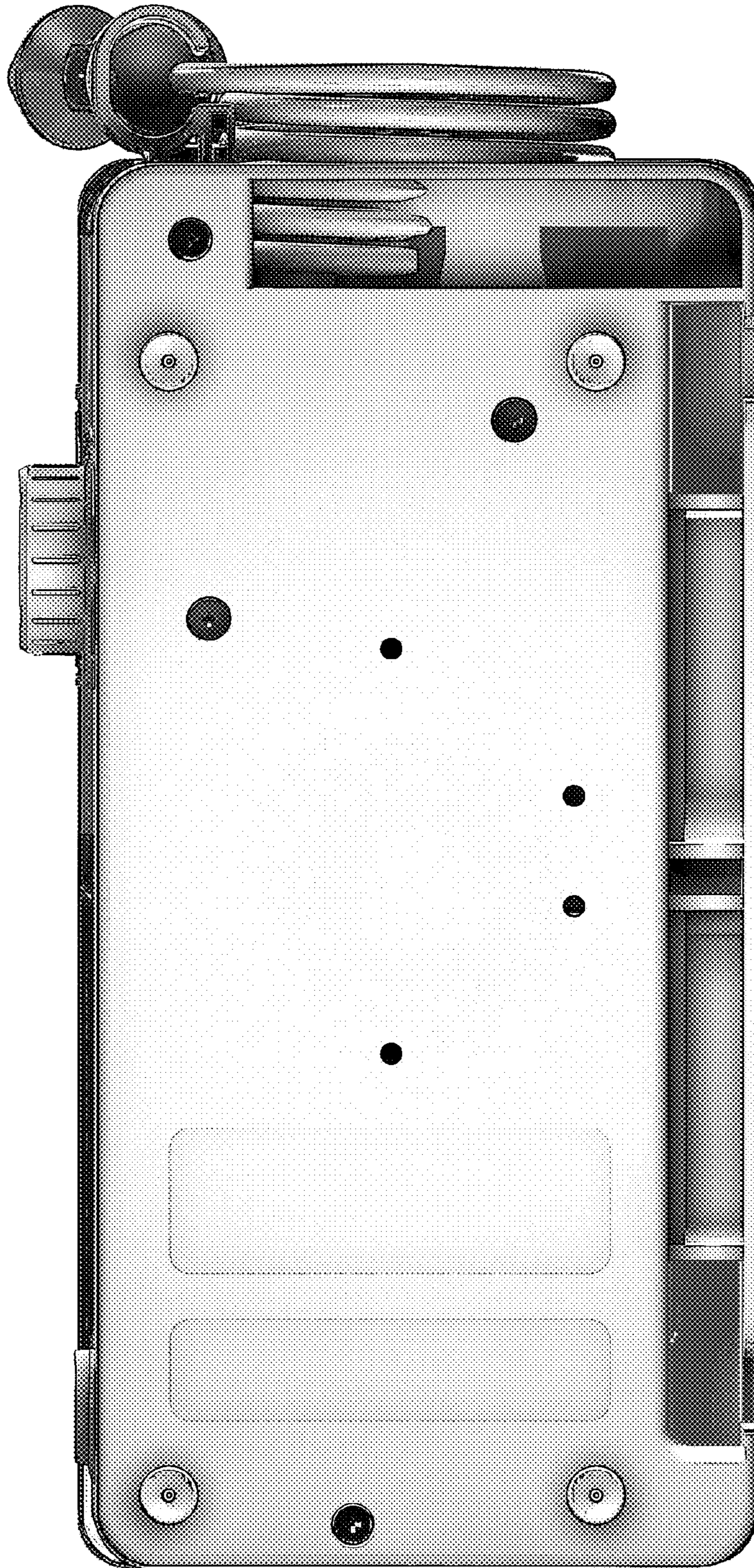


Figure 5

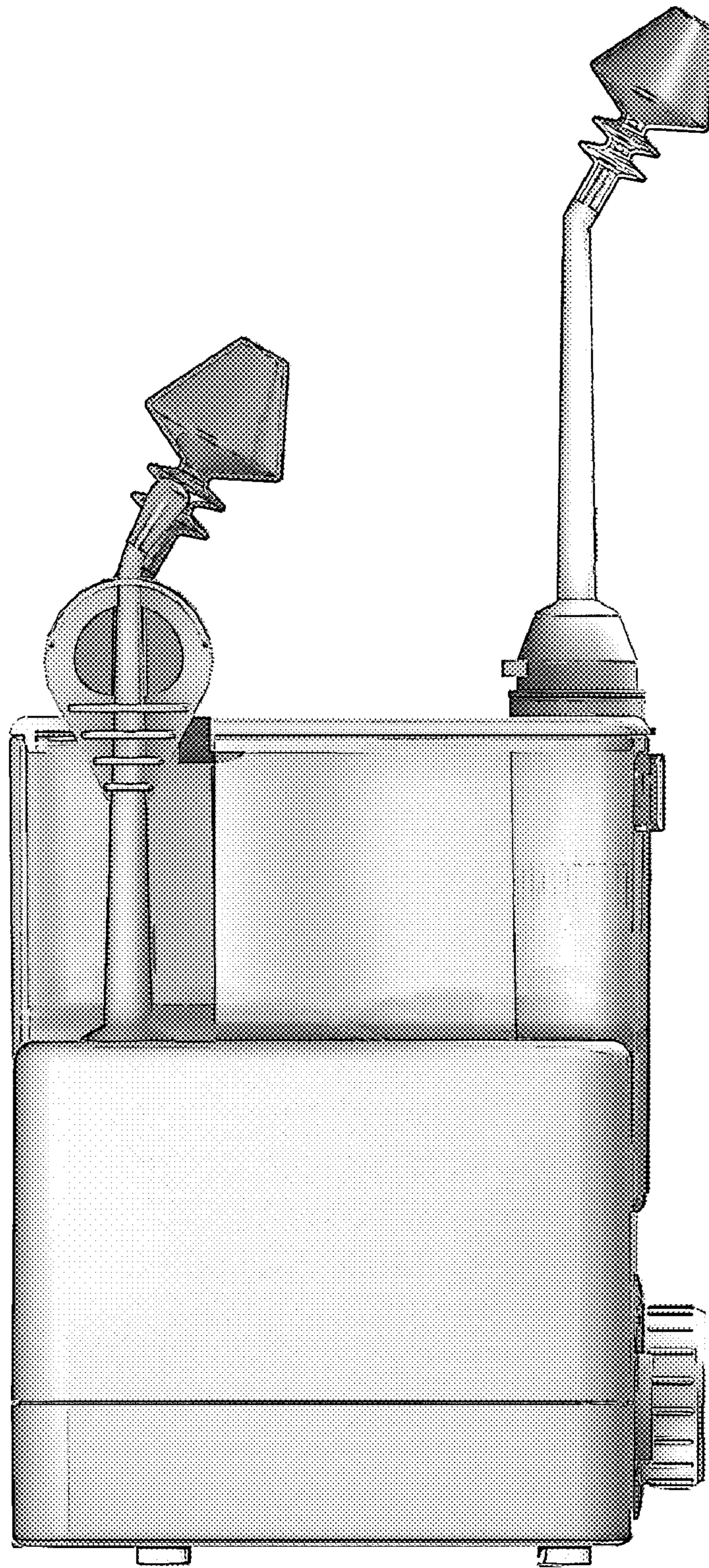


Figure 6

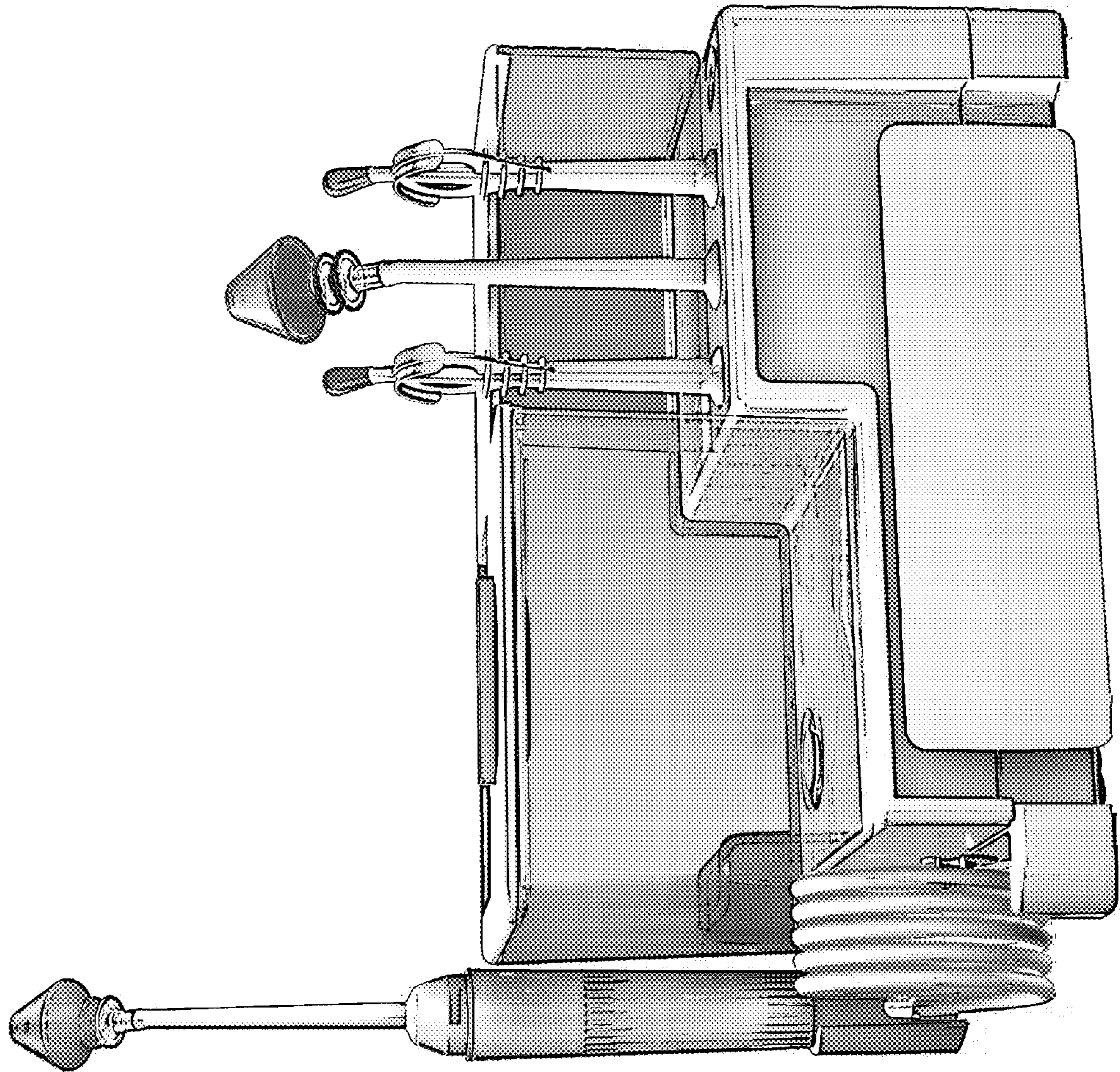


Figure 7

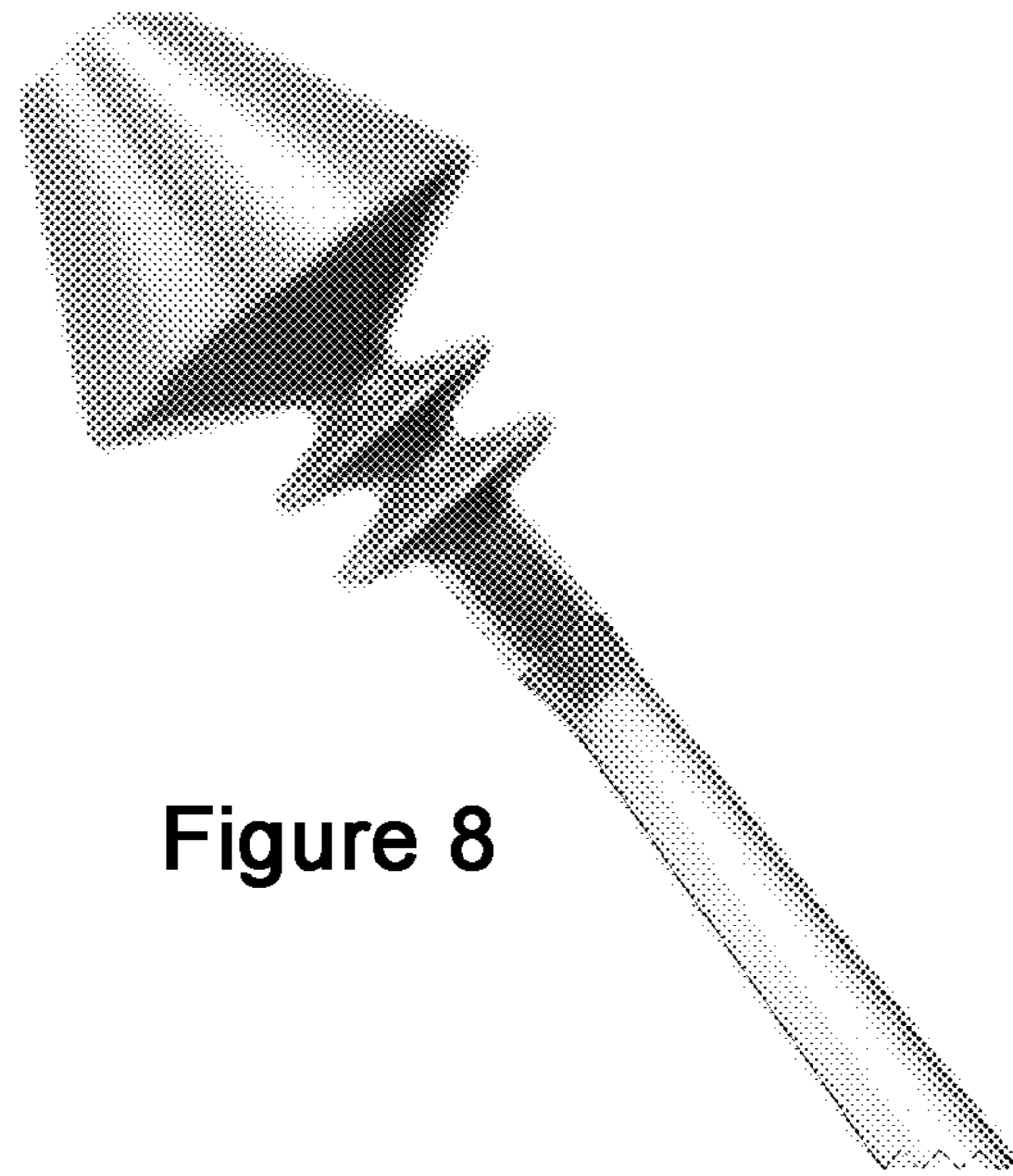


Figure 8

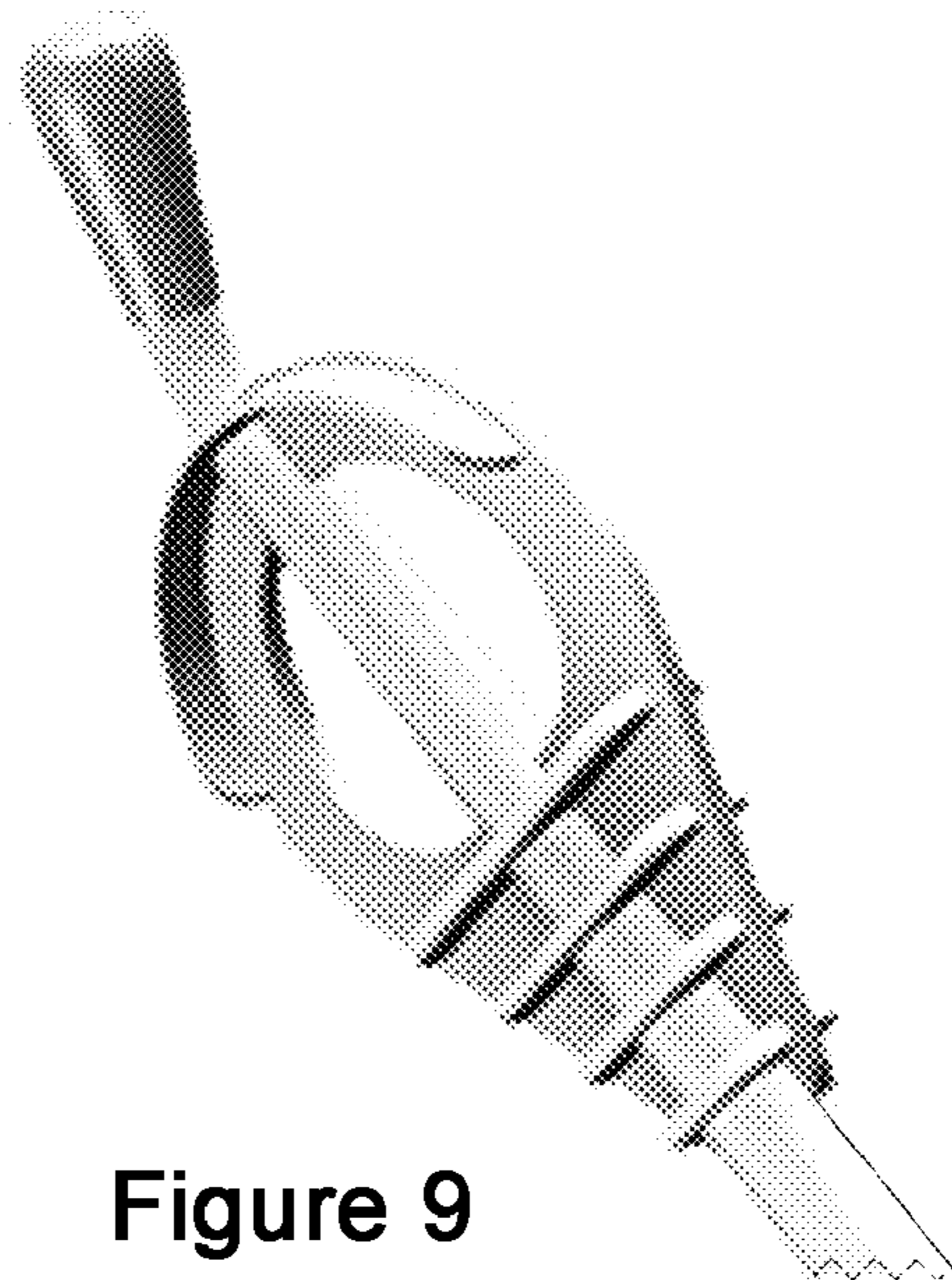


Figure 9