



US00D601692S

(12) **United States Design Patent**
Tout et al.

(10) **Patent No.:** **US D601,692 S**

(45) **Date of Patent:** **** Oct. 6, 2009**

(54) **WOUND THERAPY DEVICE**

(75) Inventors: **Aidan Marcus Tout**, Nomansland (GB);
Ben Pratt, Poole (GB)

(73) Assignee: **KCI Licensing, Inc.**, San Antonio, TX
(US)

(**) Term: **14 Years**

(21) Appl. No.: **29/291,850**

(22) Filed: **Sep. 17, 2007**

(51) **LOC (9) Cl.** **24-01**

(52) **U.S. Cl.** **D24/108; D24/111**

(58) **Field of Classification Search** D24/111,
D24/121, 169, 186, 108; 601/6-7, 11; 602/43,
602/47, 53-54; 604/259, 289, 304-305,
604/308, 313, 317, 327, 540, 543, 318-320,
604/322

See application file for complete search history.

(56) **References Cited**

U.S. PATENT DOCUMENTS

D469,176 S *	1/2003	Hall et al.	D24/111
D475,454 S *	6/2003	Gillespie et al.	D24/111
6,695,823 B1 *	2/2004	Lina et al.	604/304
6,755,807 B2 *	6/2004	Risk et al.	604/319
D544,092 S *	6/2007	Lewis	D24/108
D549,831 S *	8/2007	Ward et al.	D24/186
D551,769 S *	9/2007	Skwarek et al.	D24/186
D587,364 S *	2/2009	Pukall et al.	D24/108
2004/0006319 A1 *	1/2004	Lina et al.	604/304
2006/0149170 A1 *	7/2006	Boynton et al.	601/6
2008/0004549 A1 *	1/2008	Anderson et al.	601/6

* cited by examiner

Primary Examiner—Ian Simmons
Assistant Examiner—Wan Laymon

(57) **CLAIM**

The ornamental design for a wound therapy device, as shown and described.

DESCRIPTION

FIG. 1 is a front perspective view of a wound therapy device of our design;

FIG. 2 is a rear perspective view thereof;

FIG. 3 is a front view thereof;

FIG. 4. is a rear view thereof;

FIG. 5 is a right side view thereof;

FIG. 6 is a left side view thereof;

FIG. 7 is a top view thereof; and

FIG. 8 is a bottom view thereof.

FIG. 9 is a front perspective view of a second embodiment of a wound therapy device;

FIG. 10 is a rear perspective view of the second embodiment;

FIG. 11 is a front view of the second embodiment;

FIG. 12 is a rear view of the second embodiment;

FIG. 13 is a right side view of the second embodiment;

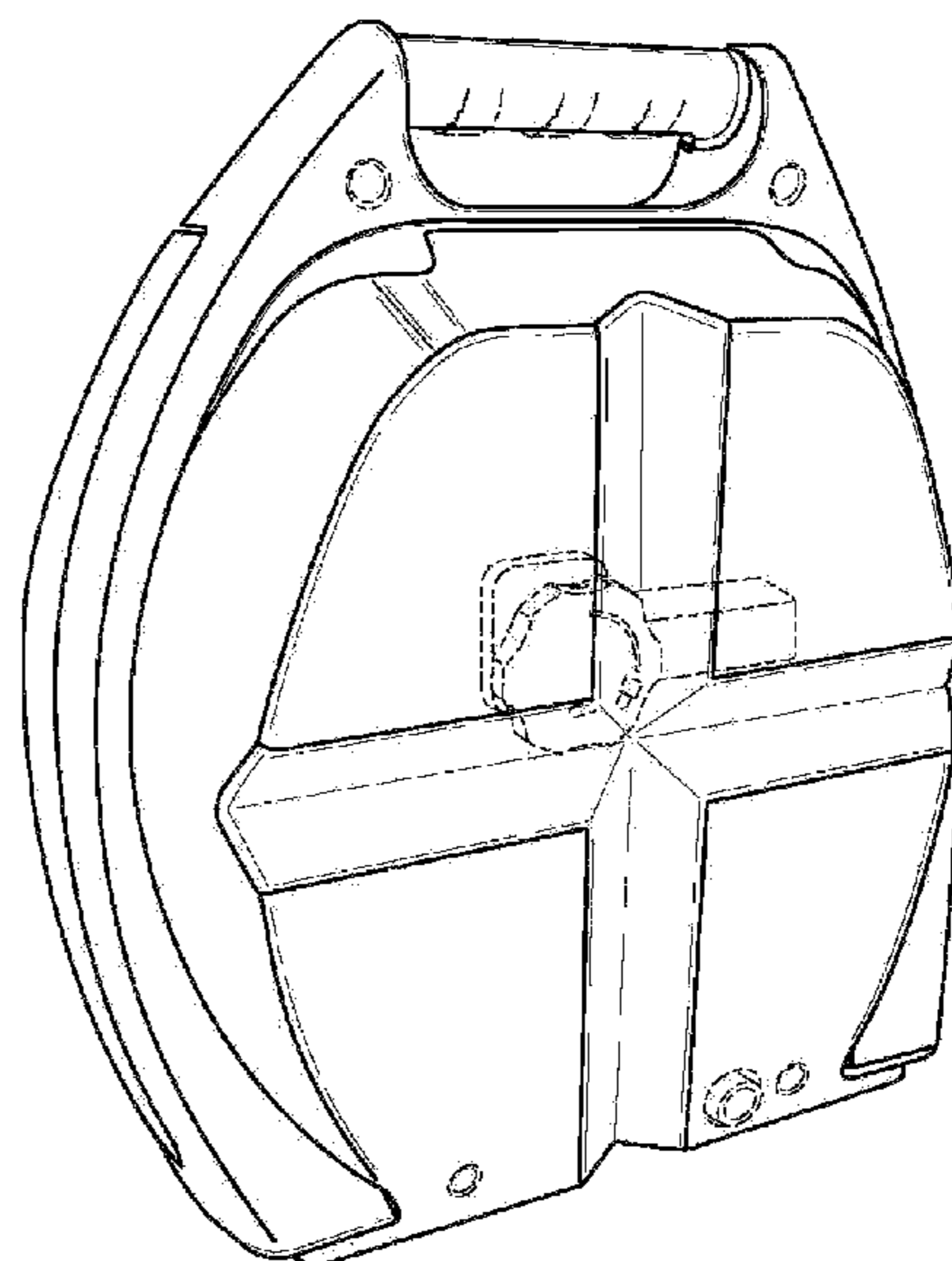
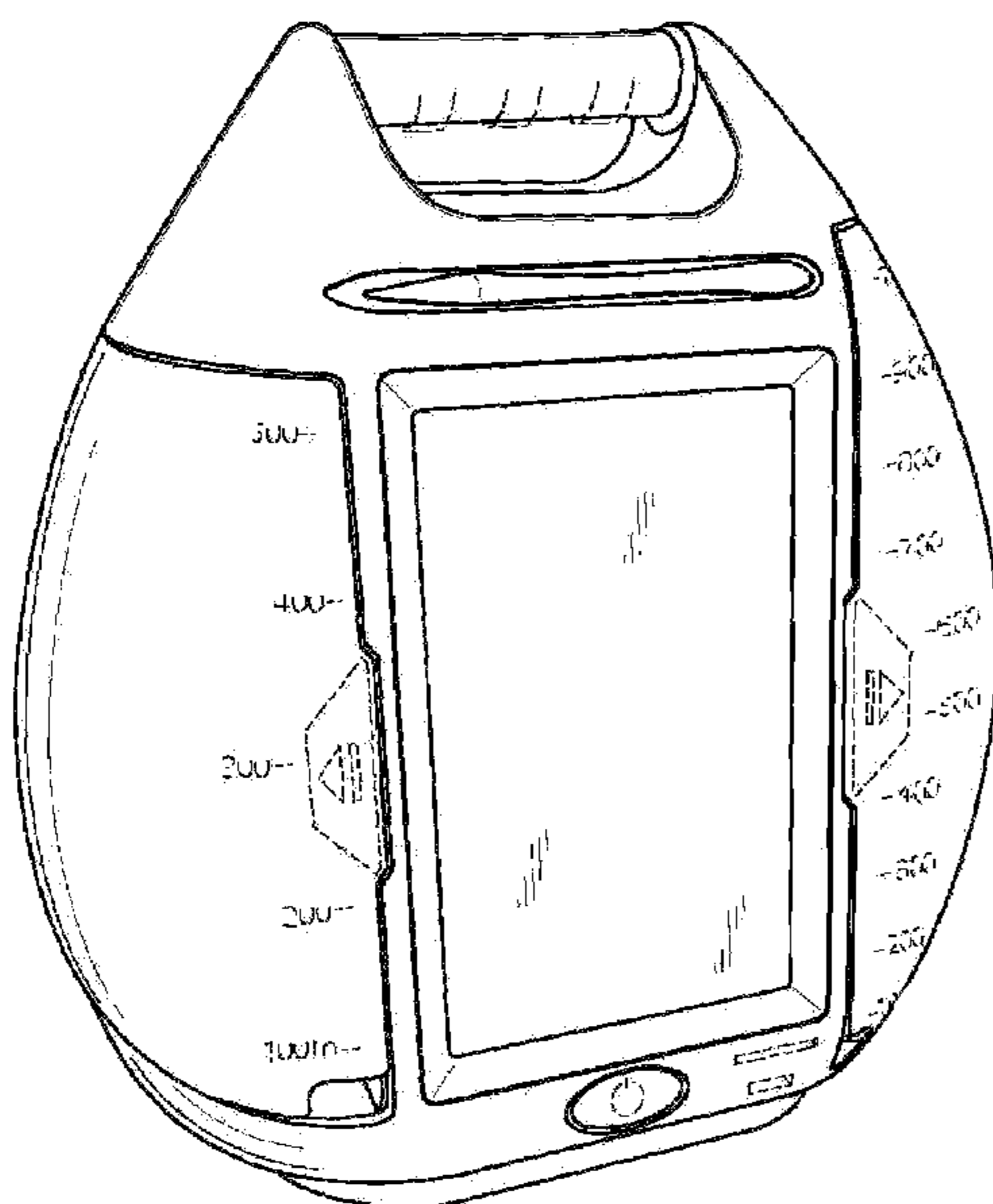
FIG. 14 is a left side view of the second embodiment;

FIG. 15 is a top view of the second embodiment; and,

FIG. 16 is a bottom view of the second embodiment.

The stippled shading in certain portions of FIGS. 9-16 indicates color contrast. Features shown in dotted lines are for illustrative purposes only and form no part of the claimed design.

1 Claim, 10 Drawing Sheets



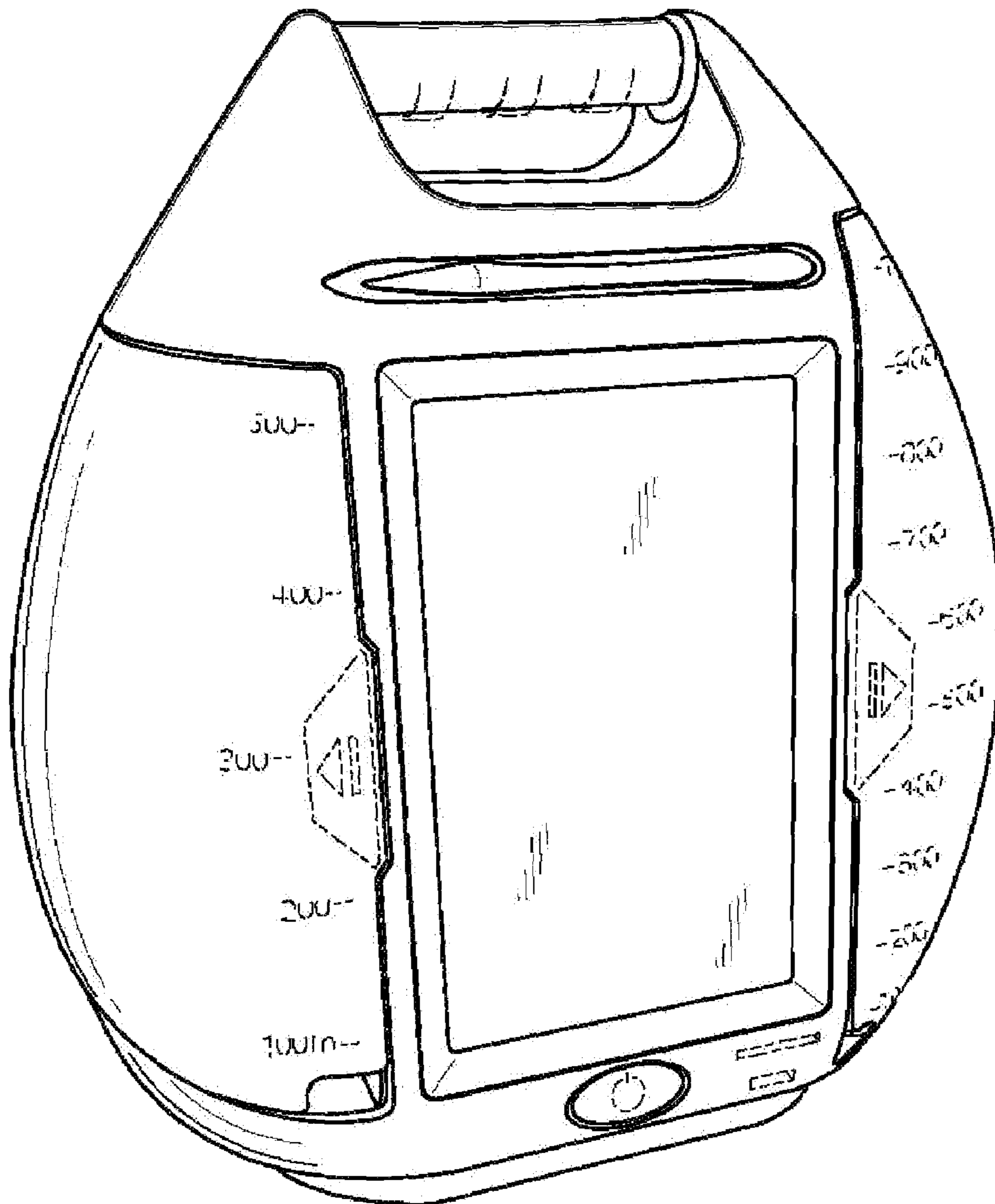


FIG. 1

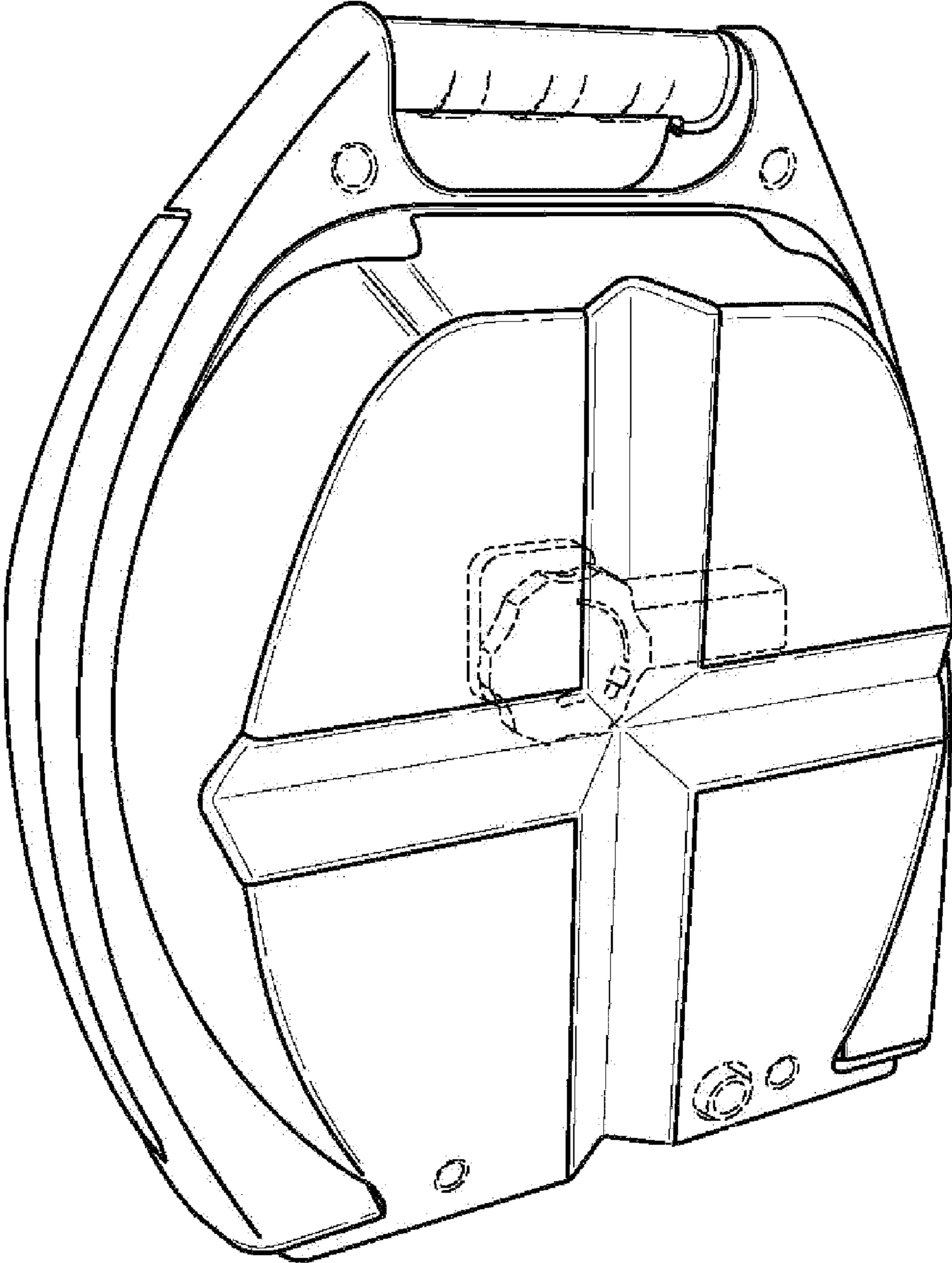


FIG. 2

FIG. 3

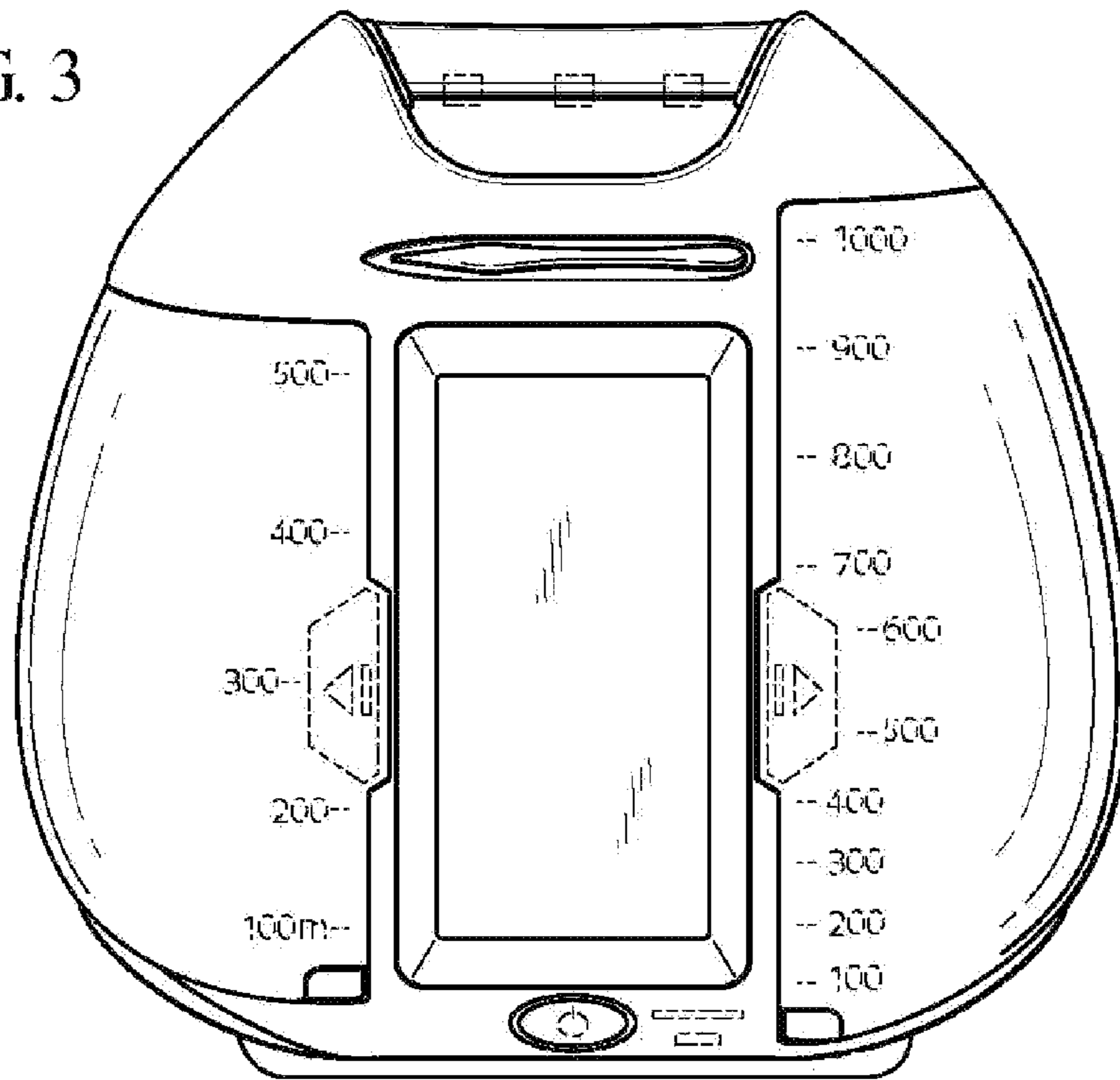
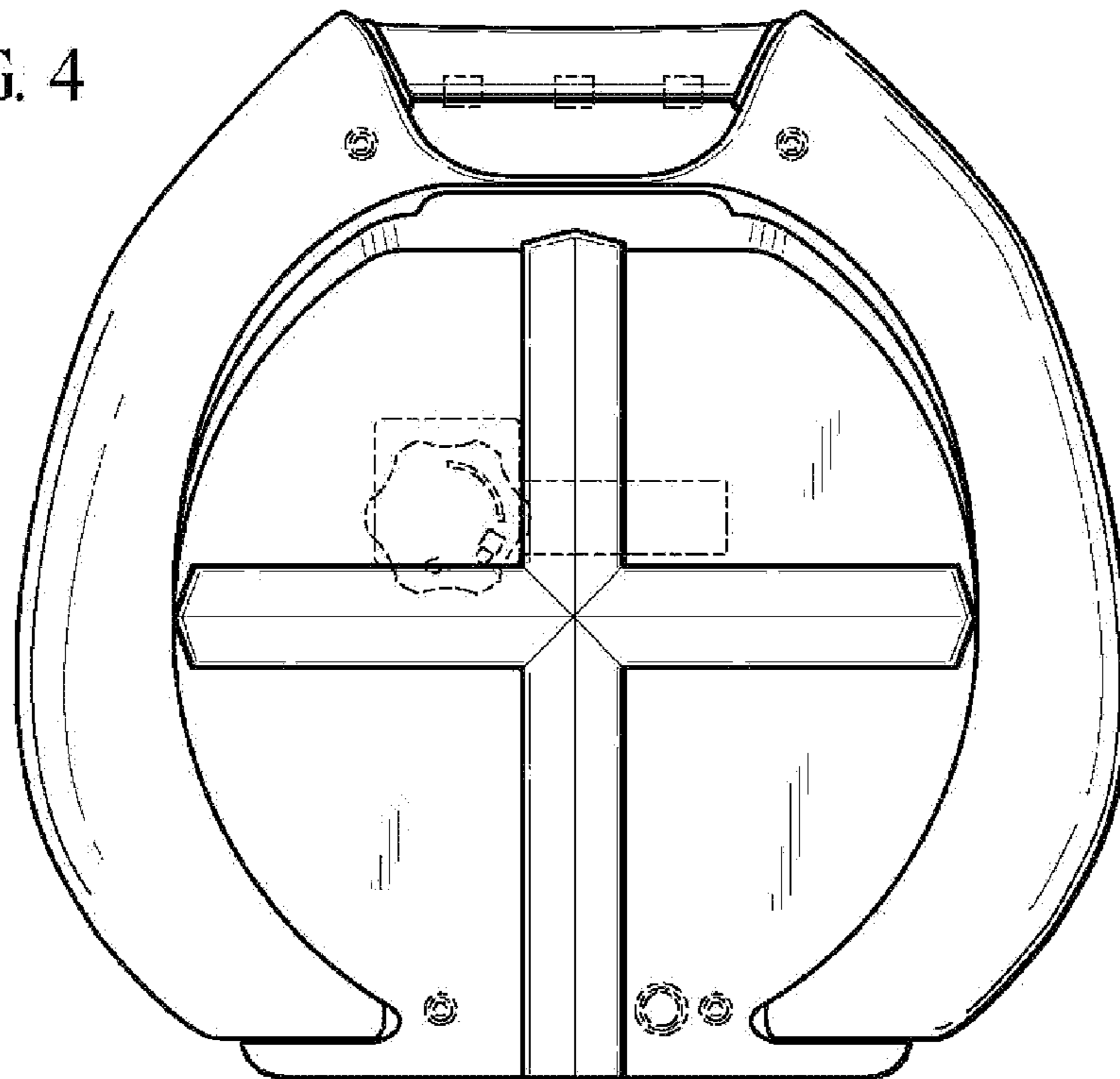


FIG. 4



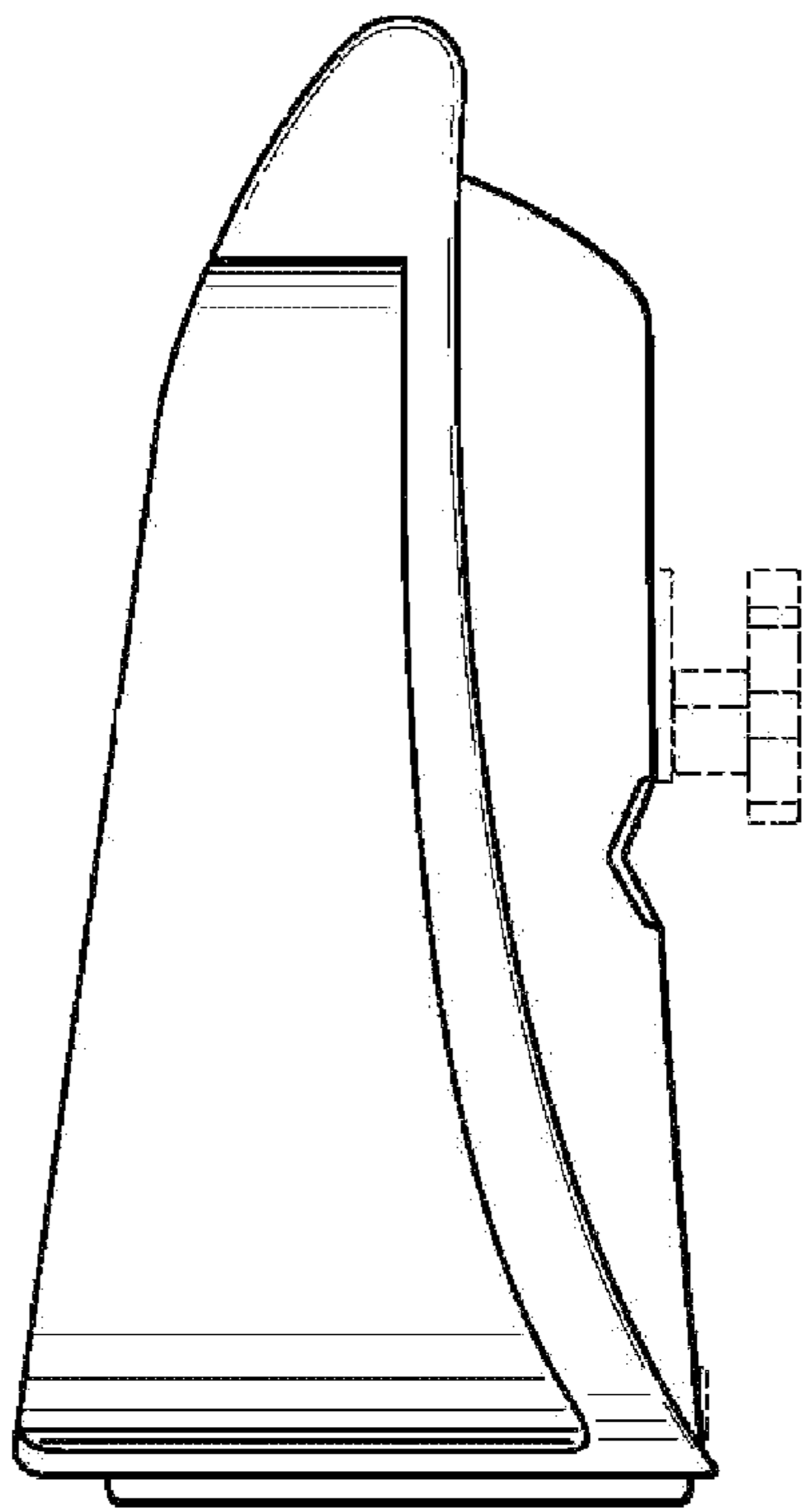


FIG. 5

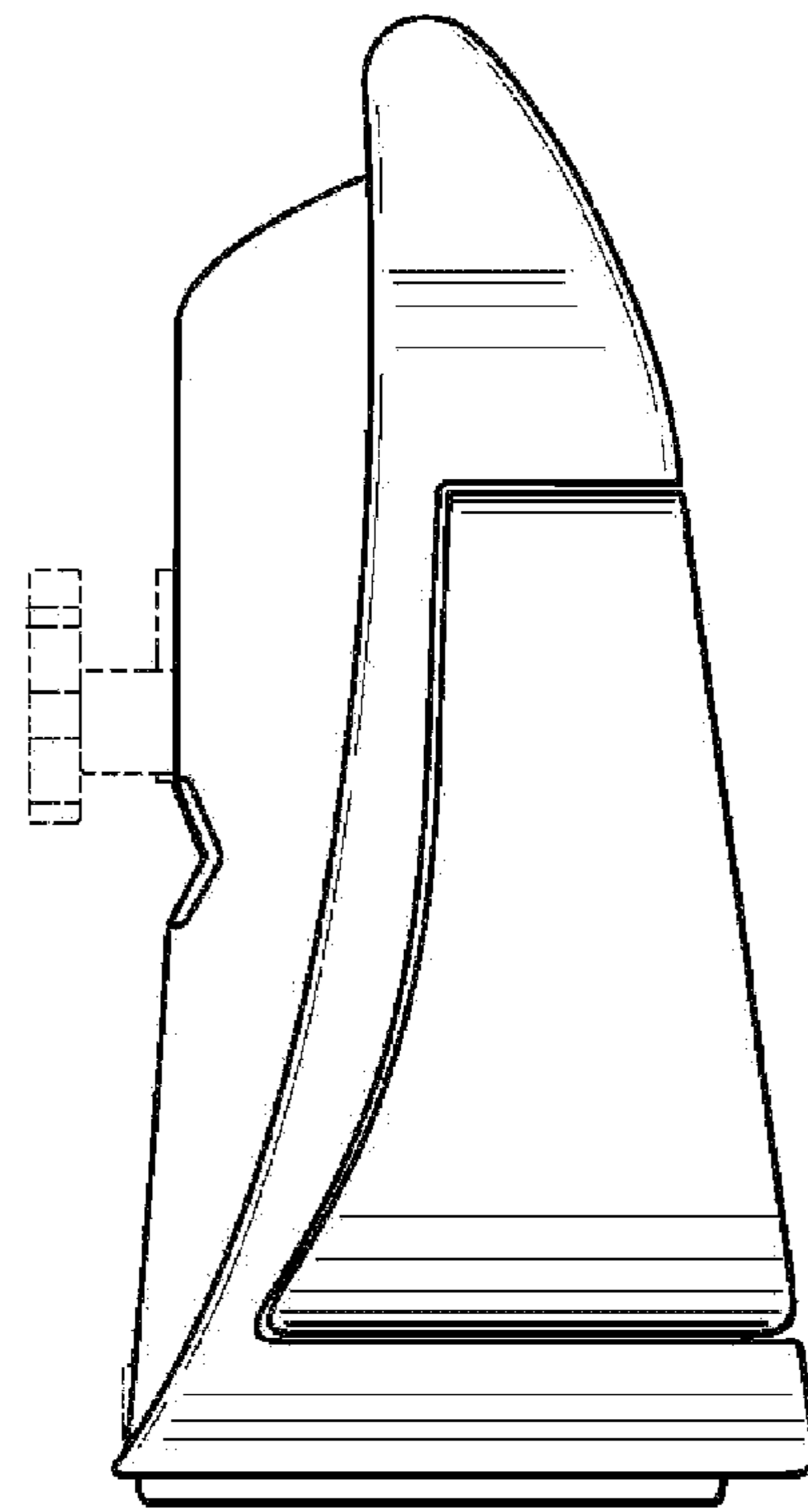


FIG. 6

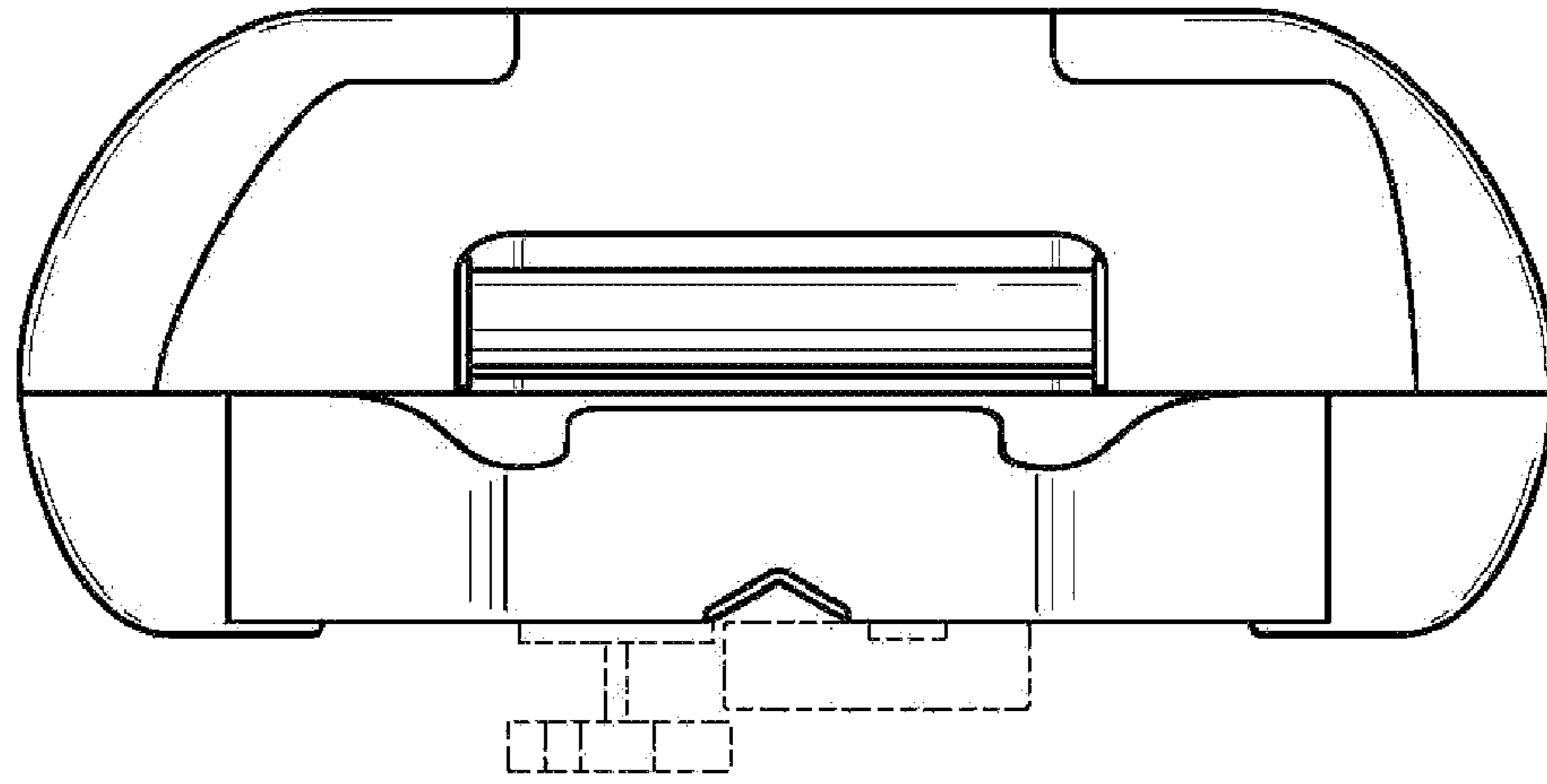


FIG. 7

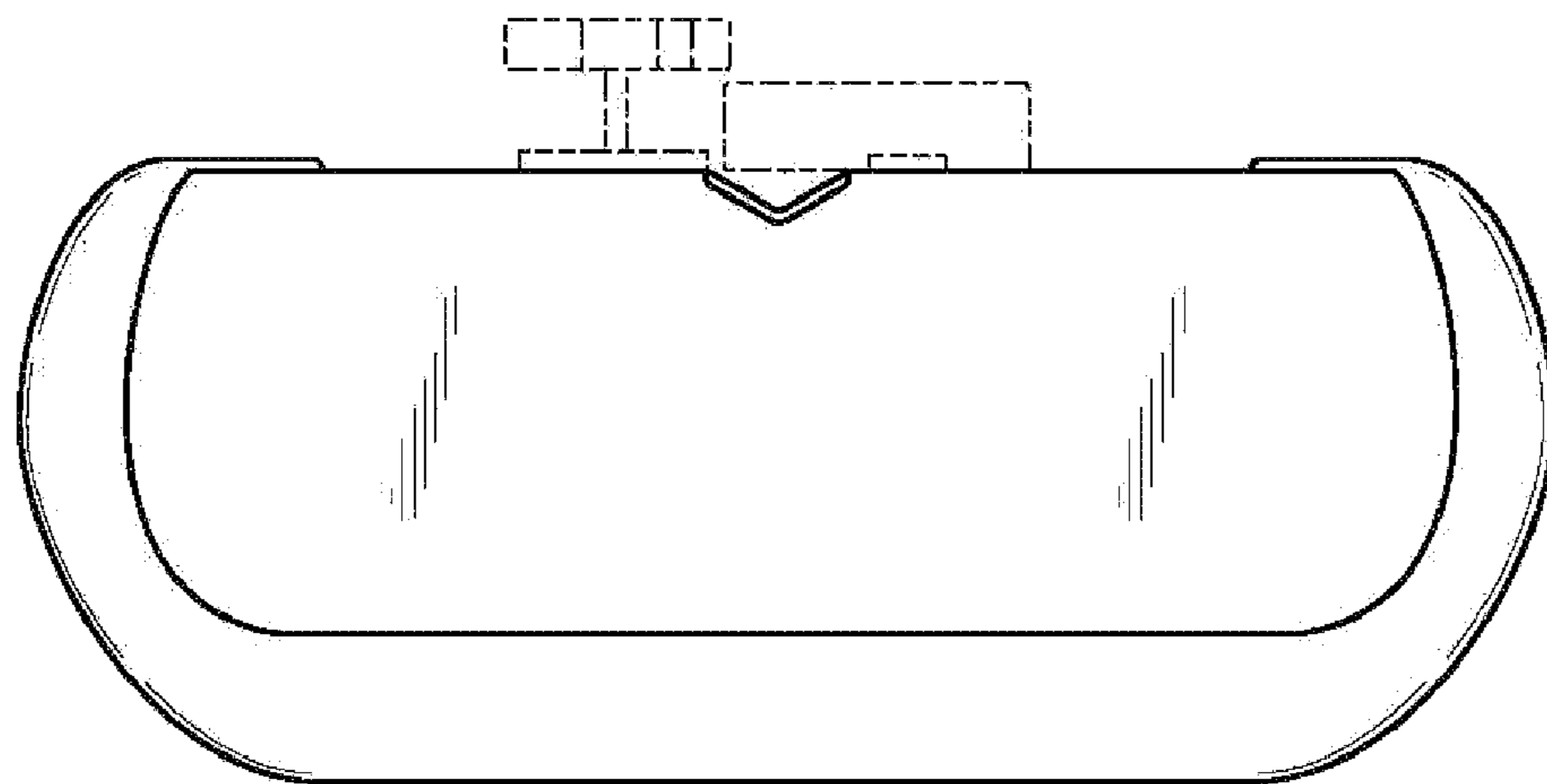


FIG. 8

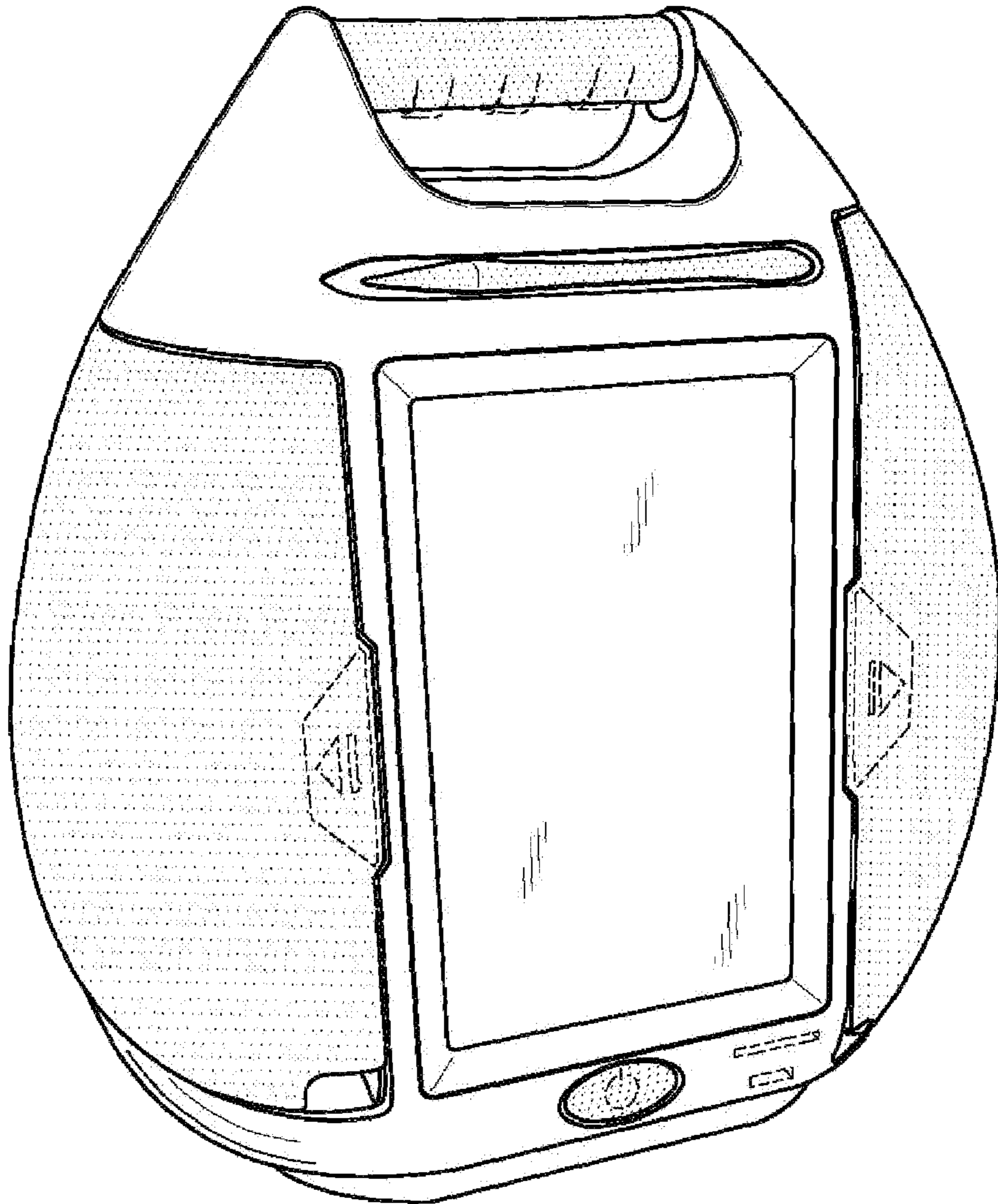


FIG. 9

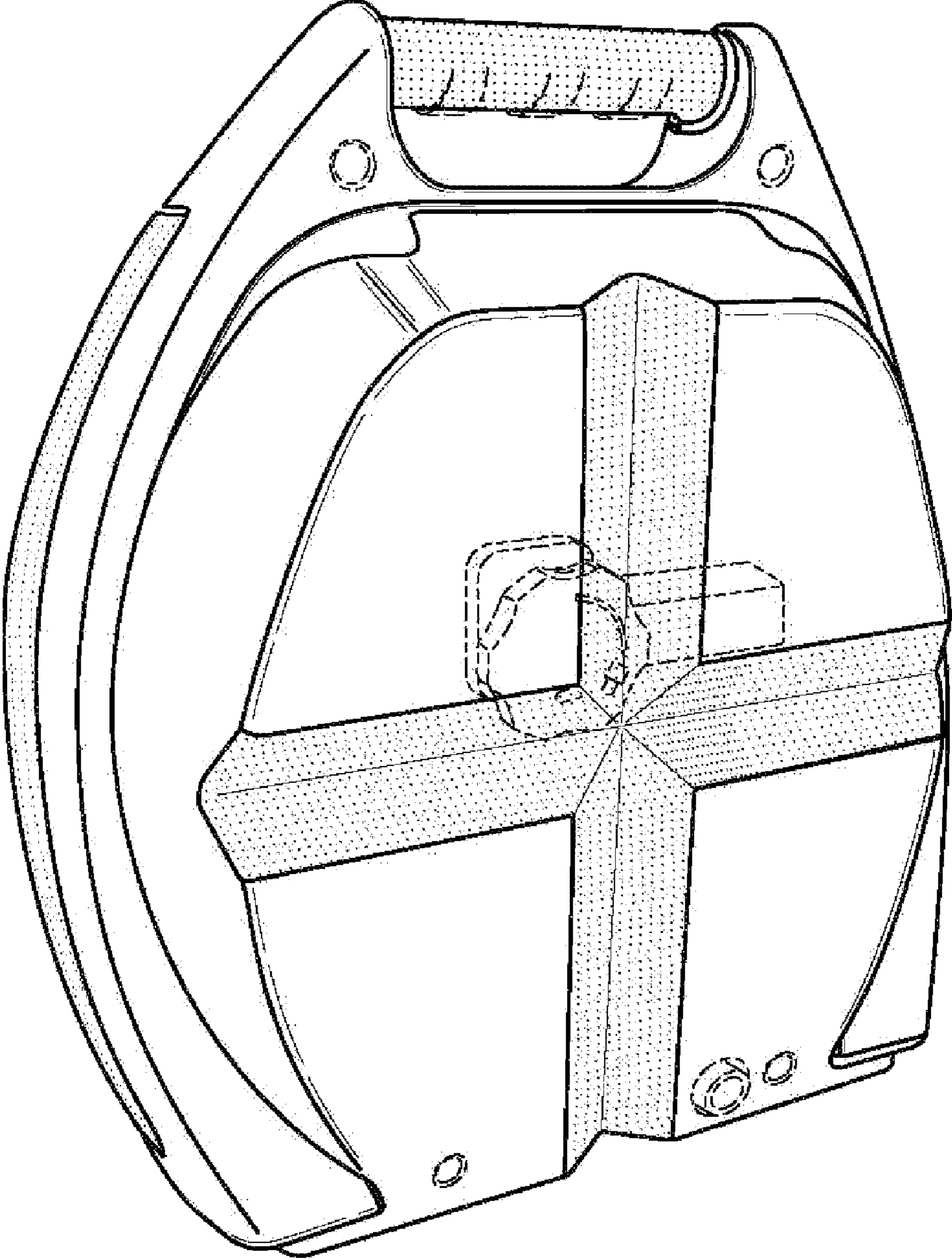


FIG. 10

FIG. 11

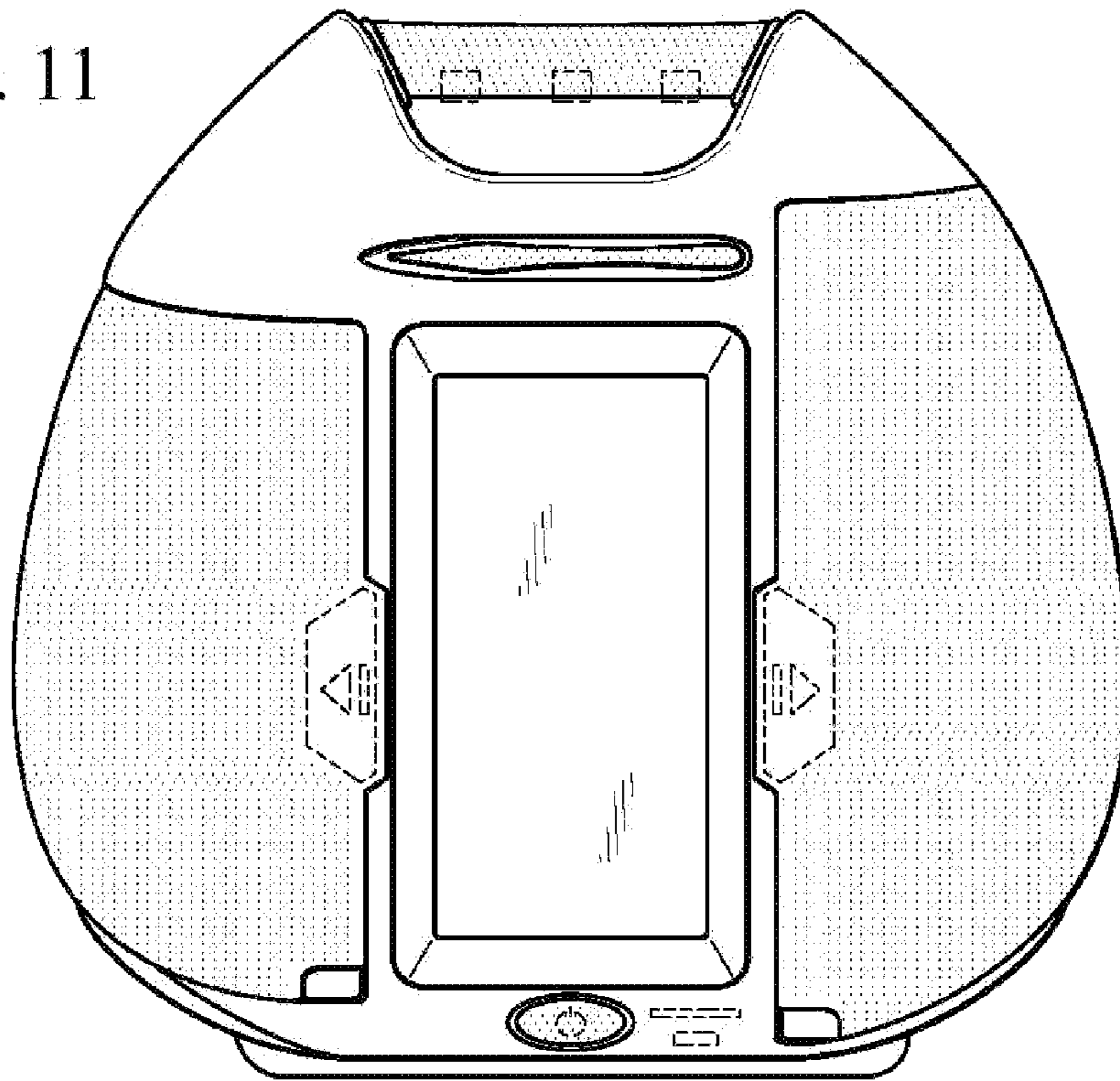
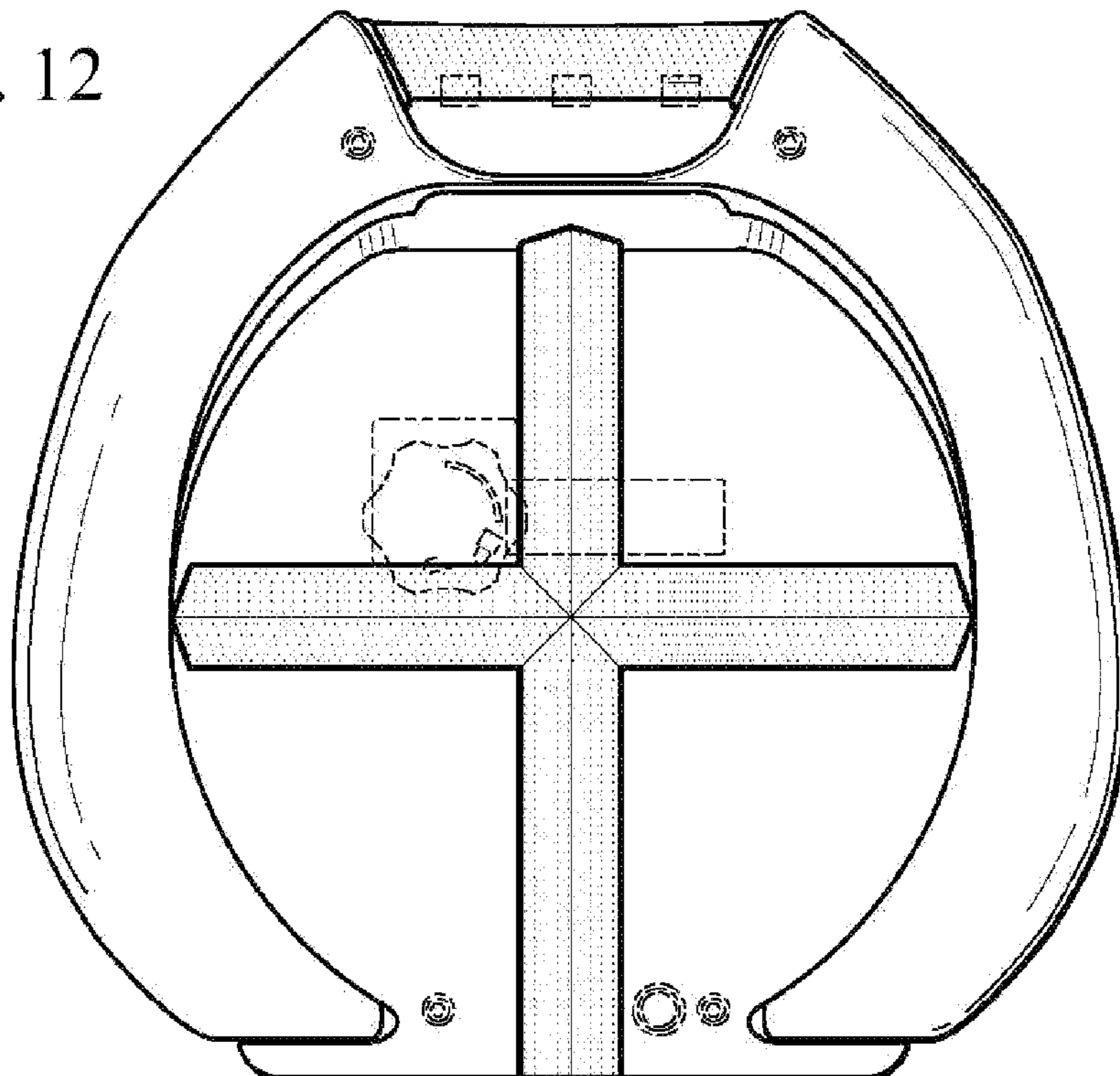


FIG. 12



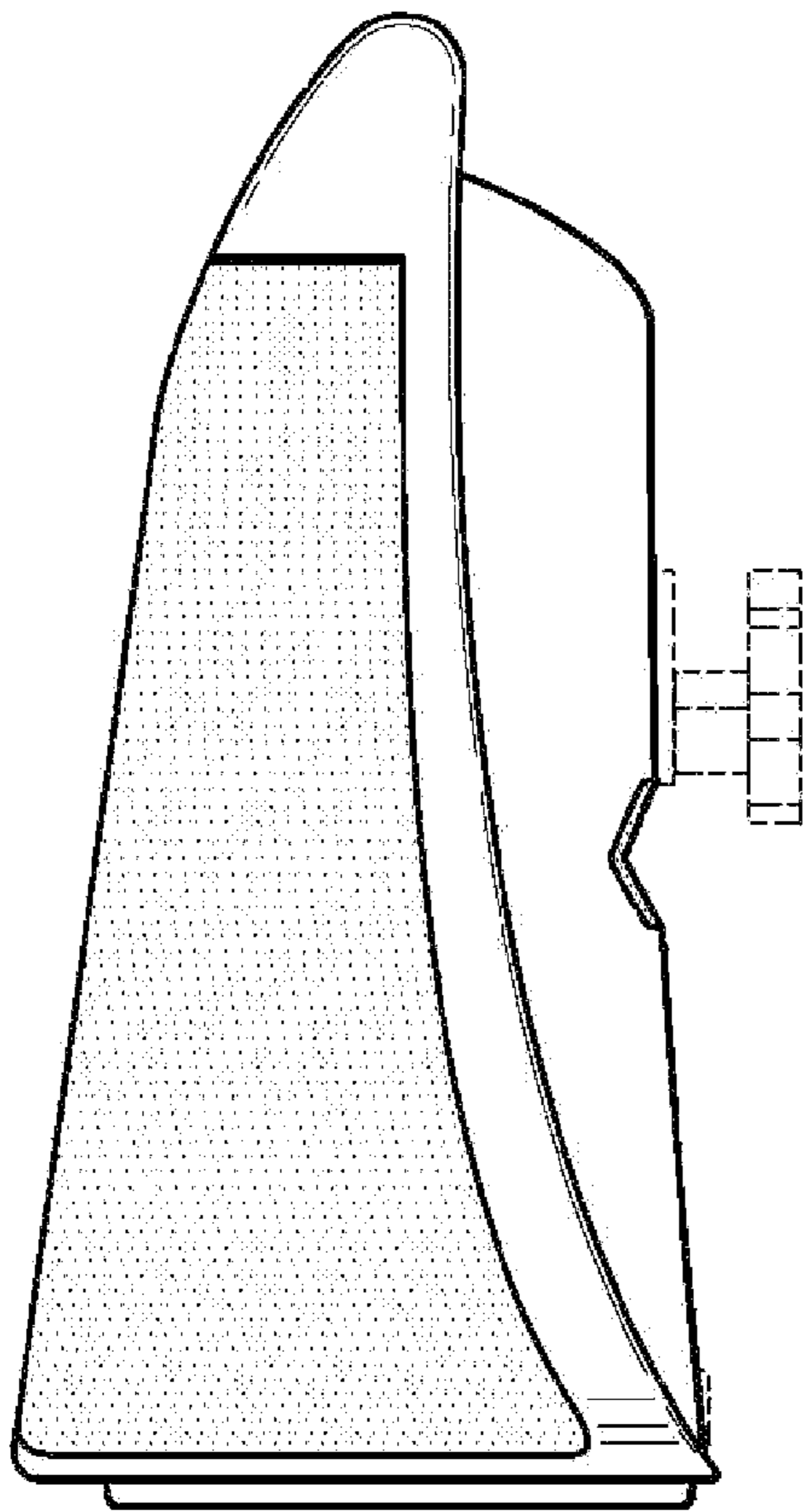


FIG. 13

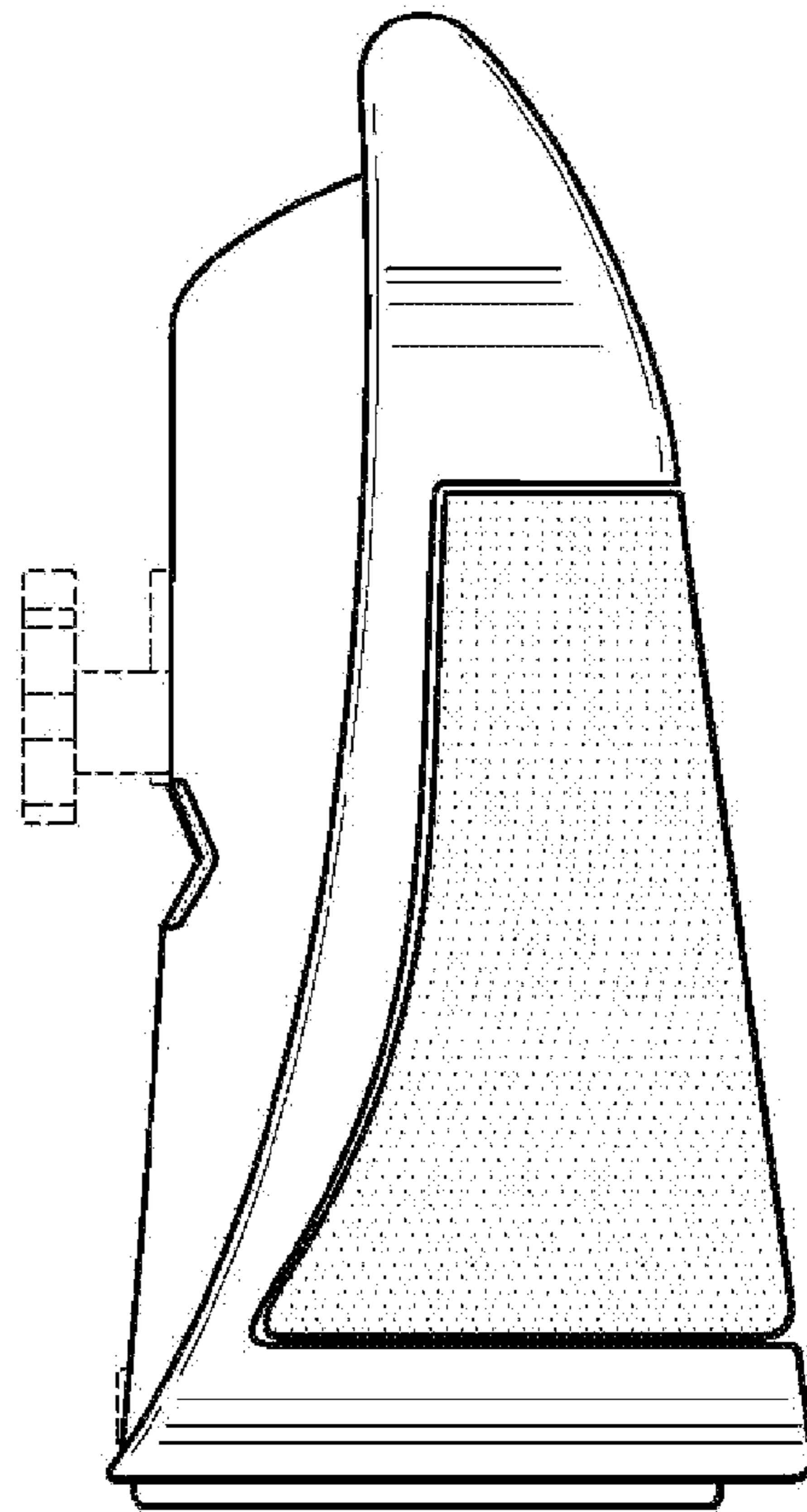


FIG. 14

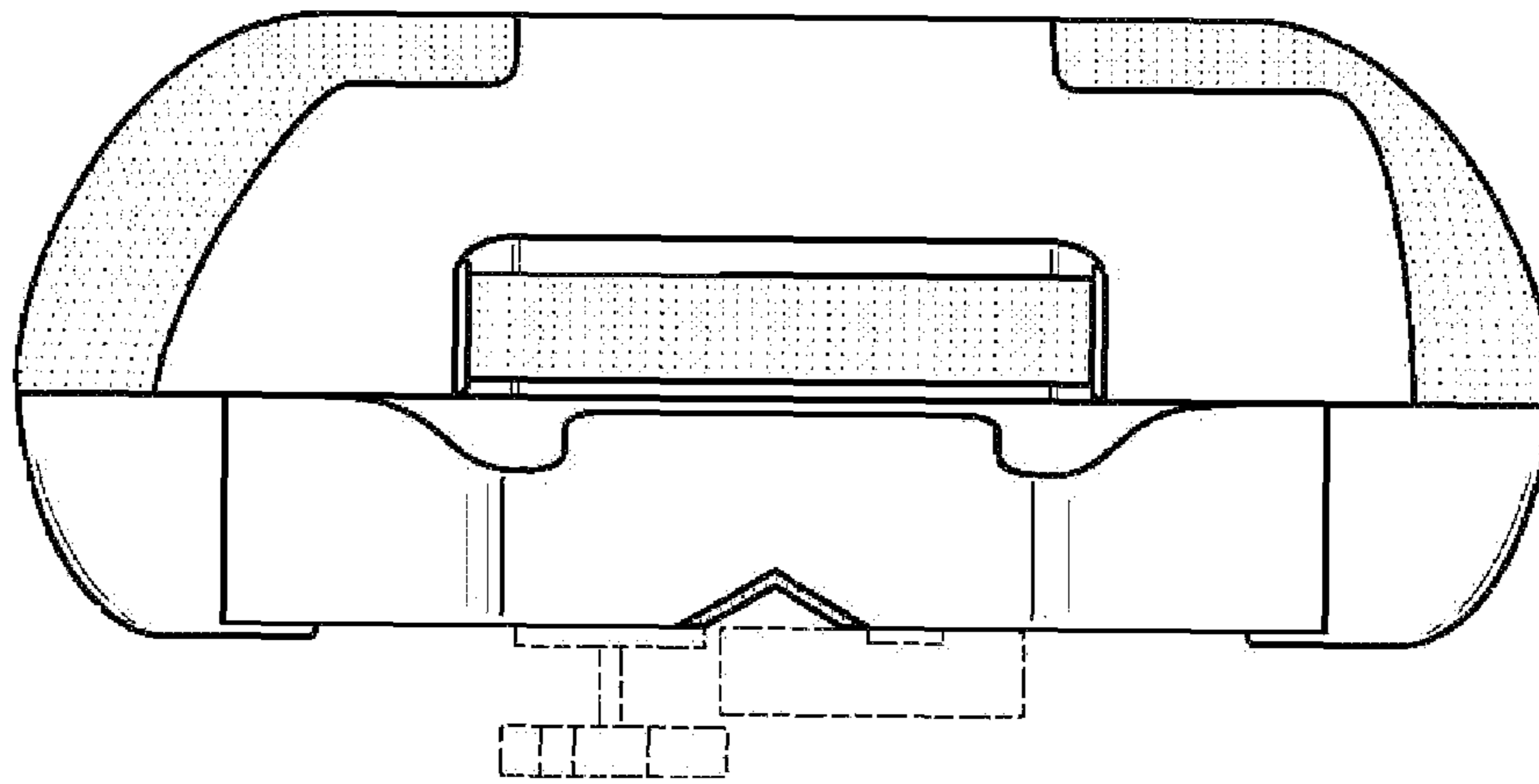


FIG. 15

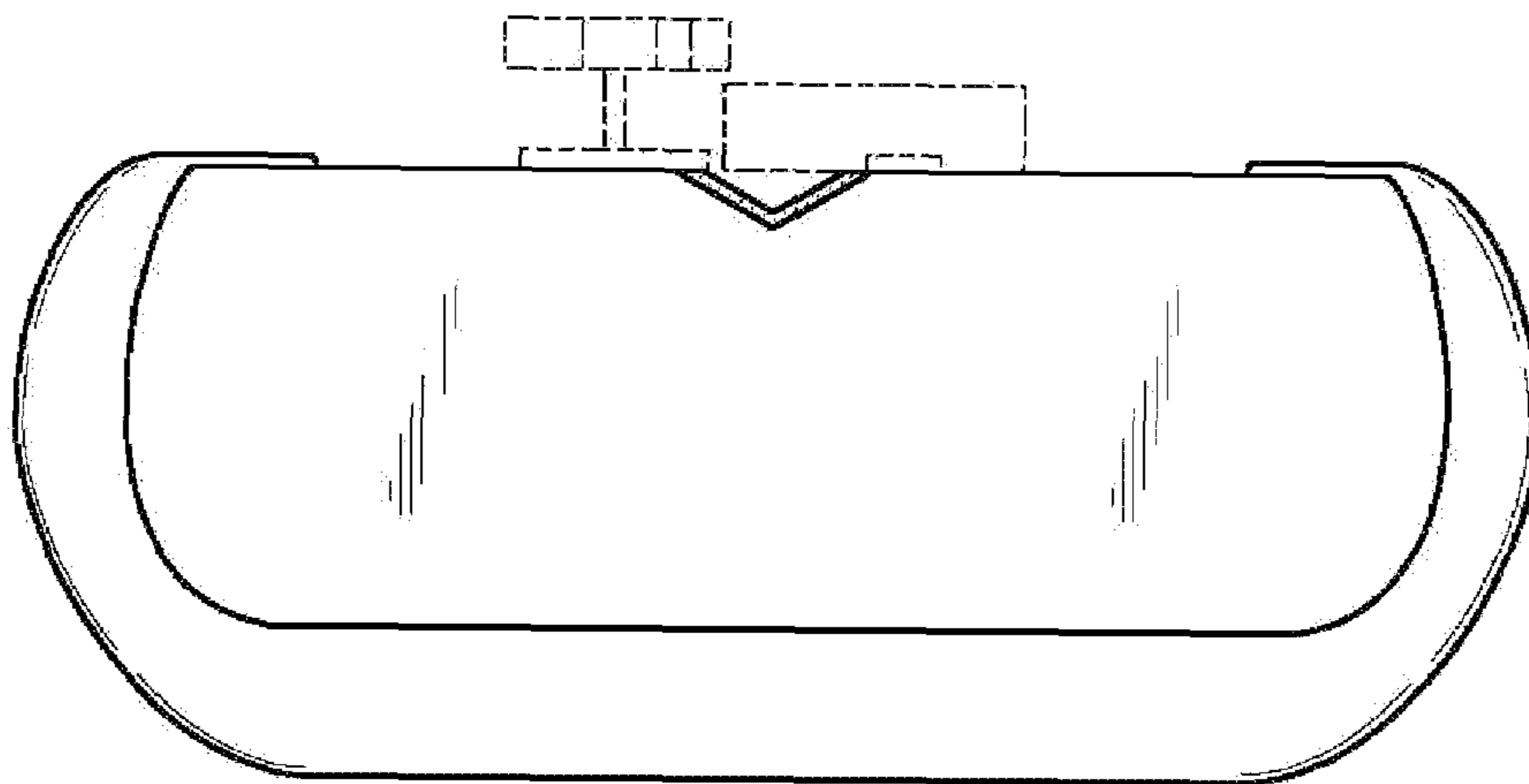


FIG. 16