



US00D601691S

(12) **United States Design Patent**  
**Butler et al.**

(10) **Patent No.:** **US D601,691 S**

(45) **Date of Patent:** **\*\* Oct. 6, 2009**

(54) **EAR PLUG**

(75) Inventors: **James R. Butler**, Niles, MI (US); **John J. Brown**, Buchanan, MI (US)

(73) Assignee: **Just Plugs, LLC**, Niles, MI (US)

(\*\*) Term: **14 Years**

(21) Appl. No.: **29/319,755**

(22) Filed: **Jun. 13, 2008**

(51) **LOC (9) Cl.** ..... **24-04**

(52) **U.S. Cl.** ..... **D24/106**

(58) **Field of Classification Search** ..... D24/106;  
D8/21, 28, 27; 181/129, 130, 131, 135; 128/857,  
128/864, 865, 867, 868; D19/36, 41; D22/116;  
102/501, 514, 515, 516, 523, 527  
See application file for complete search history.

(56) **References Cited**

**U.S. PATENT DOCUMENTS**

D235,483 S \* 6/1975 Leight ..... D24/106  
4,455,942 A \* 6/1984 Murray et al. .... 102/444  
D306,873 S \* 3/1990 Yazaki ..... D19/36  
D378,127 S \* 2/1997 Brown ..... D24/106  
6,209,459 B1 \* 4/2001 Kaufman et al. .... 102/439  
6,374,743 B1 \* 4/2002 Hug et al. .... 102/518

6,641,320 B1 \* 11/2003 Ballot et al. .... 401/206  
D546,657 S \* 7/2007 Buening ..... D8/103  
D549,284 S \* 8/2007 Morgante ..... D19/41  
D553,736 S \* 10/2007 Butler et al. .... D24/106  
D582,980 S \* 12/2008 Price ..... D19/48

\* cited by examiner

*Primary Examiner*—Ian Simmons

*Assistant Examiner*—Christopher Lee

(74) *Attorney, Agent, or Firm*—Botkin & Hall, LLP

(57) **CLAIM**

The ornamental design for an ear plug, as shown and described.

**DESCRIPTION**

FIG. 1 is a perspective view of a first embodiment of the ear plug showing a front side;

FIG. 2 is a top view thereof;

FIG. 3 is a bottom view thereof;

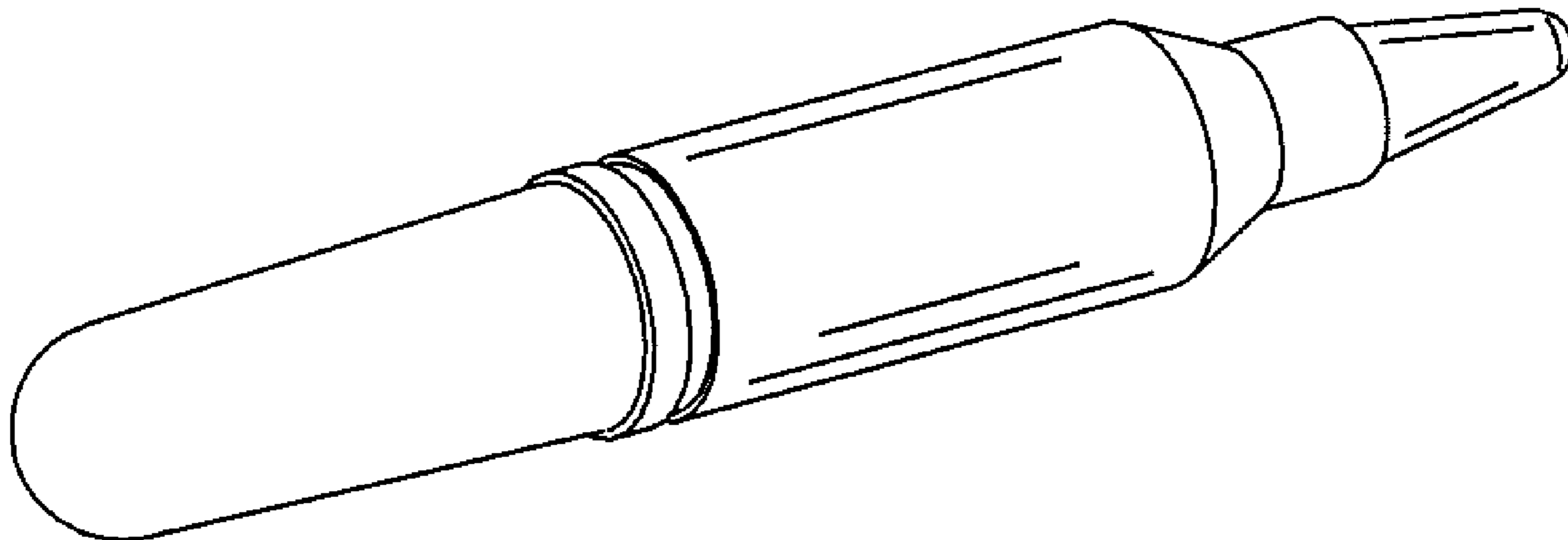
FIG. 4 is a is side view thereof;

FIG. 5 is another side view thereof;

FIG. 6 is a front view thereof; and,

FIG. 7 is a rear view thereof.

**1 Claim, 2 Drawing Sheets**



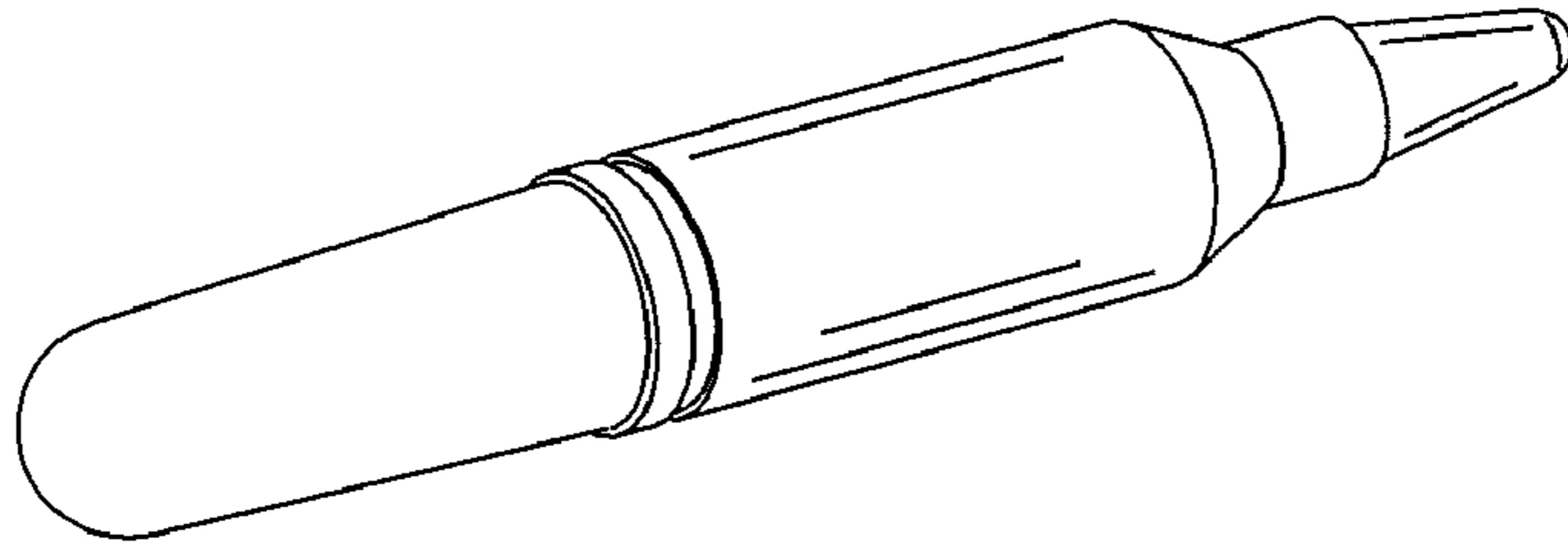


FIG. 1



FIG. 4

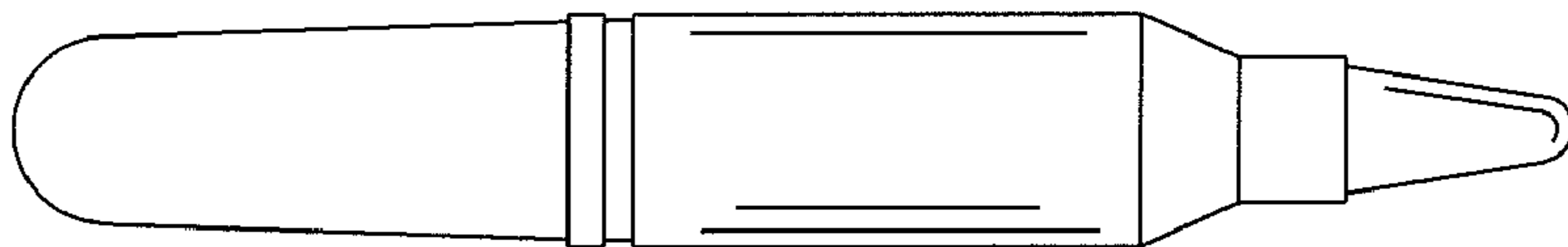
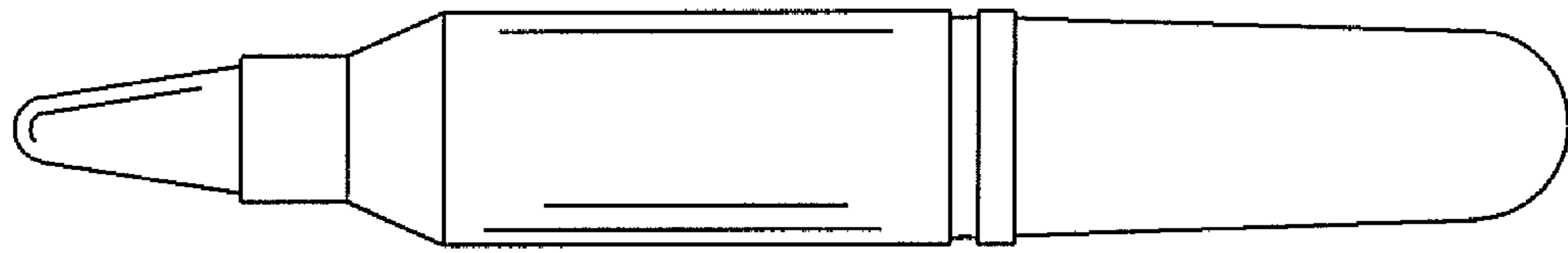


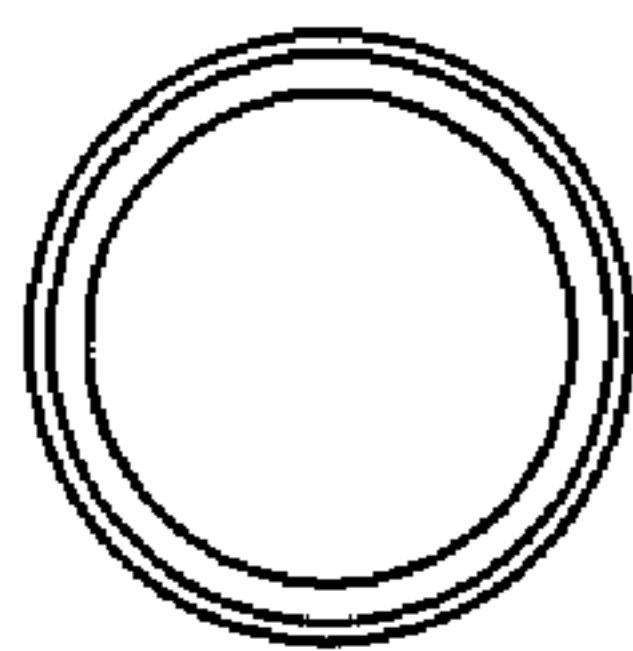
FIG. 2



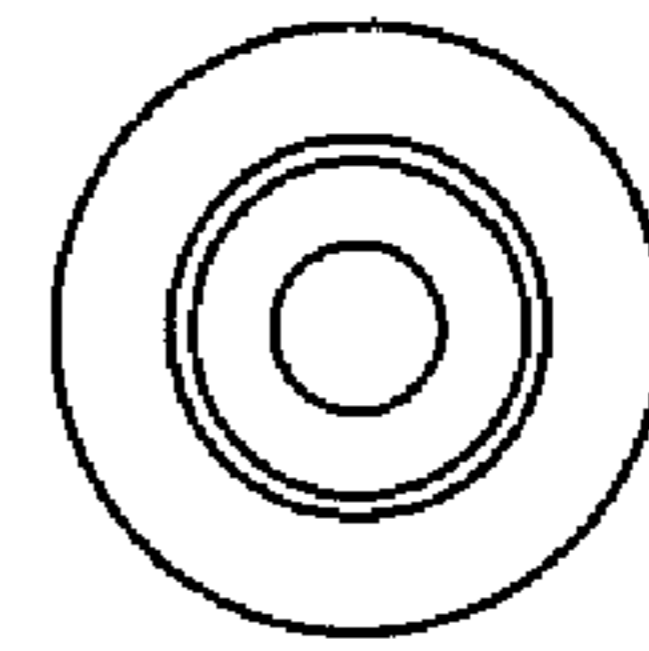
FIG. 3



**FIG. 5**



**FIG. 6**



**FIG. 7**