



US00D601689S

(12) **United States Design Patent**
Karolak et al.

(10) **Patent No.:** **US D601,689 S**
(45) **Date of Patent:** **** Oct. 6, 2009**

(54) **PHARMACEUTICAL TABLET**
(75) Inventors: **Wlodek Karolak**, Mississauga (CA);
Helen Anne Willy, Harlow (GB)
(73) Assignee: **Glaxo Group Limited**, Middlesex (GB)
(**) Term: **14 Years**

4,735,805 A * 4/1988 Ni et al. 424/464
4,883,182 A * 11/1989 Hughes 206/534
D376,643 S * 12/1996 Hatton et al. D24/101
D420,464 S * 2/2000 Binstock et al. D28/8.1
D520,635 S * 5/2006 Bonny et al. D24/104
D530,814 S * 10/2006 Bonny et al. D24/104
D535,741 S * 1/2007 Stawski et al. D24/101
D556,946 S * 12/2007 Seum et al. D28/8.1
D564,086 S * 3/2008 Nielsen et al. D24/101

(21) Appl. No.: **29/268,559**
(22) Filed: **Nov. 9, 2006**

* cited by examiner

Primary Examiner—Ian Simmons
Assistant Examiner—Charles D Hanson
(74) *Attorney, Agent, or Firm*—Nixon & Vanderhye P.C.

(30) **Foreign Application Priority Data**
May 12, 2006 (GB) 3024830
(51) **LOC (9) Cl.** **28-01**
(52) **U.S. Cl.** **D24/101**
(58) **Field of Classification Search** D24/100–104;
D28/4, 8.1, 8.2; 424/464–485, 453, 438,
424/732, 451; D1/100, 121, 125–128, 112,
D1/108; D21/440; 426/78
See application file for complete search history.

(57) **CLAIM**

The ornamental design for a pharmaceutical tablet, as shown and described.

DESCRIPTION

The file of this patent contains at least one drawing executed in color. Copies of this patent with color drawings will be provided by the Office upon request and payment of the necessary fee.

(56) **References Cited**
U.S. PATENT DOCUMENTS
1,419,618 A * 6/1922 Deming 424/438
1,580,576 A * 4/1926 Weidner 510/146
2,102,885 A * 12/1937 Carroll 206/530
2,340,037 A * 1/1944 Zipper 424/453
3,048,526 A * 8/1962 Boswell 424/472
3,620,759 A * 11/1971 Maddox 426/78
3,702,653 A * 11/1972 Motten 206/534
D235,215 S * 5/1975 Larson D24/104
D258,091 S * 1/1981 Reed et al. D24/101
4,376,111 A * 3/1983 Tovey 424/467
D269,718 S * 7/1983 Tovey D24/101
D269,721 S * 7/1983 Tovey D24/101
D269,722 S * 7/1983 Tovey D24/101
D274,846 S * 7/1984 Eoga D24/101
D283,649 S * 4/1986 Casberg D23/207
4,601,896 A * 7/1986 Nugent 424/453
D285,363 S * 8/1986 Tovey D24/101
D286,085 S * 10/1986 Tovey D24/101
4,643,731 A * 2/1987 Eckenhoff 604/892.1

FIG. 1 is a front perspective view of a pharmaceutical tablet showing our new design;
FIG. 2 is a top view thereof;
FIG. 3 is a bottom view thereof;
FIG. 4 is a front view thereof, with the left side, right side and rear views thereof being identical thereto;
FIG. 5 is a cross-sectional view through section 5—5 of FIG. 1;
FIG. 6 is a front perspective view of an alternate embodiment of the design of FIG. 1;
FIG. 7 is a top view thereof;
FIG. 8 is a bottom view thereof;
FIG. 9 is a front view thereof, with the left side, right side and rear views thereof being identical thereto;
FIG. 10 is a cross-sectional view through section 10—10 of FIG. 6;

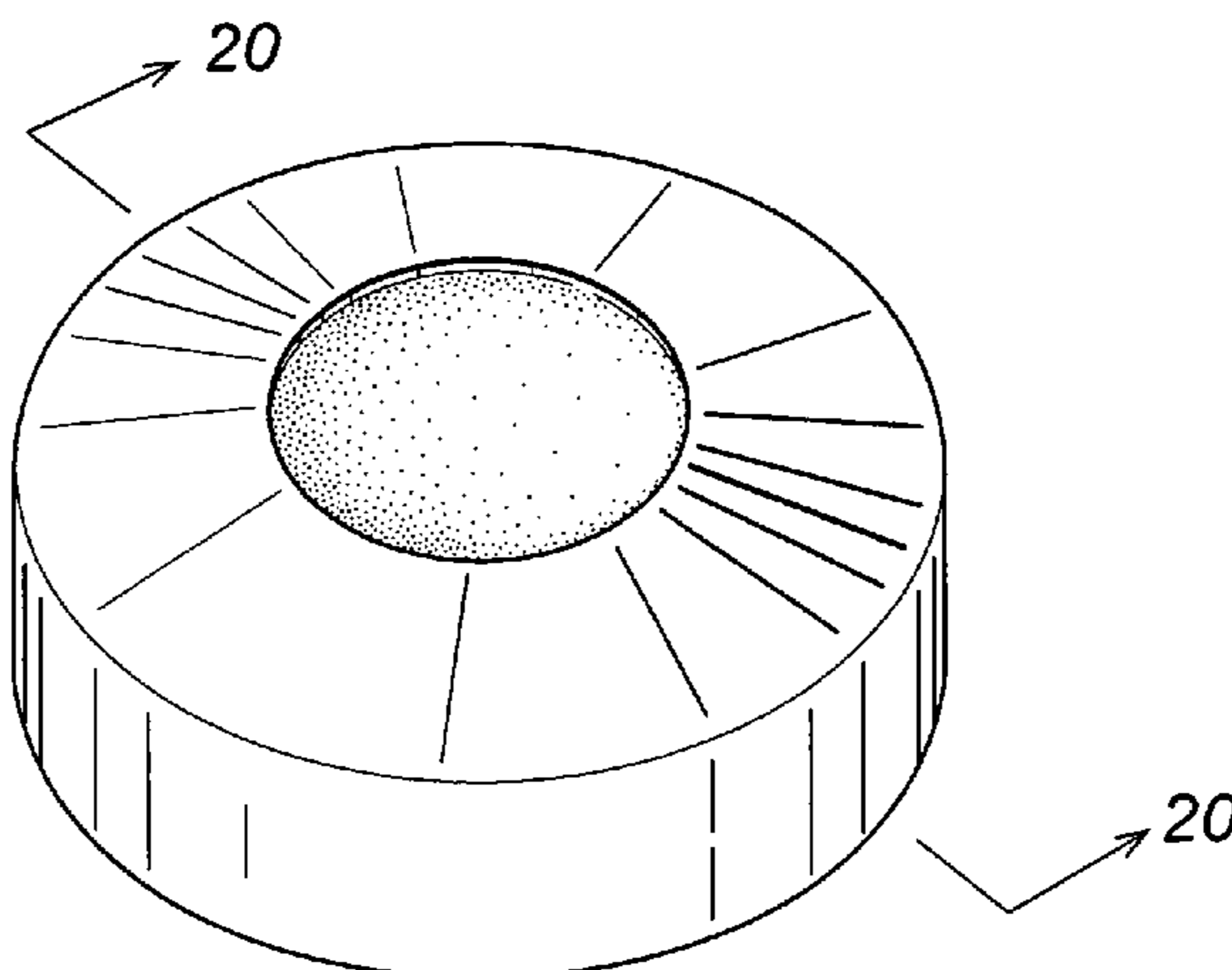


FIG. 11 is a front perspective view of an alternate embodiment of the design of FIG. 1;

FIG. 12 is a top view thereof;

FIG. 13 is a bottom view thereof;

FIG. 14 is a front view thereof, with the left side, right side and rear views thereof being identical thereto;

FIG. 15 is a cross-sectional view through section 15—15 of FIG. 11;

FIG. 16 is a front perspective view of an alternate embodiment of the design of FIG. 1;

FIG. 17 is a top view thereof;

FIG. 18 is a bottom view thereof;

FIG. 19 is a front view thereof, with the left side, right side and rear views thereof being identical thereto;

FIG. 20 is a cross-sectional view through section 20—20 of FIG. 16;

FIG. 21 is a front perspective view of an alternate embodiment of the design of FIG. 1;

FIG. 22 is a top view thereof;

FIG. 23 is a bottom view thereof;

FIG. 24 is a front view thereof, with the left side, right side and rear views thereof being identical thereto;

FIG. 25 is a cross-sectional view through section 25—25 of FIG. 21;

FIG. 26 is a front perspective view of an alternate embodiment of the design of FIG. 1;

FIG. 27 is a top view thereof;

FIG. 28 is a bottom view thereof;

FIG. 29 is a front view thereof, with the left side, right side and rear views thereof being identical thereto;

FIG. 30 is a cross-sectional view through section 30—30 of FIG. 26;

FIG. 31 is a front perspective view of an alternate embodiment of the design of FIG. 1;

FIG. 32 is a top view thereof;

FIG. 33 is a bottom view thereof;

FIG. 34 is a front view thereof, with the left side, right side and rear views thereof being identical thereto;

FIG. 35 is a cross-sectional view through section 35—35 of FIG. 31;

FIG. 36 is a front perspective view of an alternate embodiment of the design of FIG. 1;

FIG. 37 is a top view thereof;

FIG. 38 is a bottom view thereof;

FIG. 39 is a front view thereof, with the left side, right side and rear views thereof being identical thereto;

FIG. 40 is a cross-sectional view through section 40—40 of FIG. 36;

FIG. 41 is a front perspective view of an alternate embodiment of the design of FIG. 1;

FIG. 42 is a top view thereof;

FIG. 43 is a bottom view thereof;

FIG. 44 is a front view thereof, with the left side, right side and rear views thereof being identical thereto;

FIG. 45 is a cross-sectional view through section 45—45 of FIG. 41;

FIG. 46 is a front perspective view of an alternate embodiment of the design of FIG. 1;

FIG. 47 is a top view thereof;

FIG. 48 is a bottom view thereof;

FIG. 49 is a front view thereof, with the left side, right side and rear views thereof being identical thereto; and,

FIG. 50 is a cross-sectional view through section 50—50 of FIG. 46.

The different styles of shading in FIGS. 16–20 depict a color contrast, and are not indicative of any specific color.

**1 Claim, 20 Drawing Sheets
(14 of 20 Drawing Sheet(s) Filed in Color)**

FIG. 1

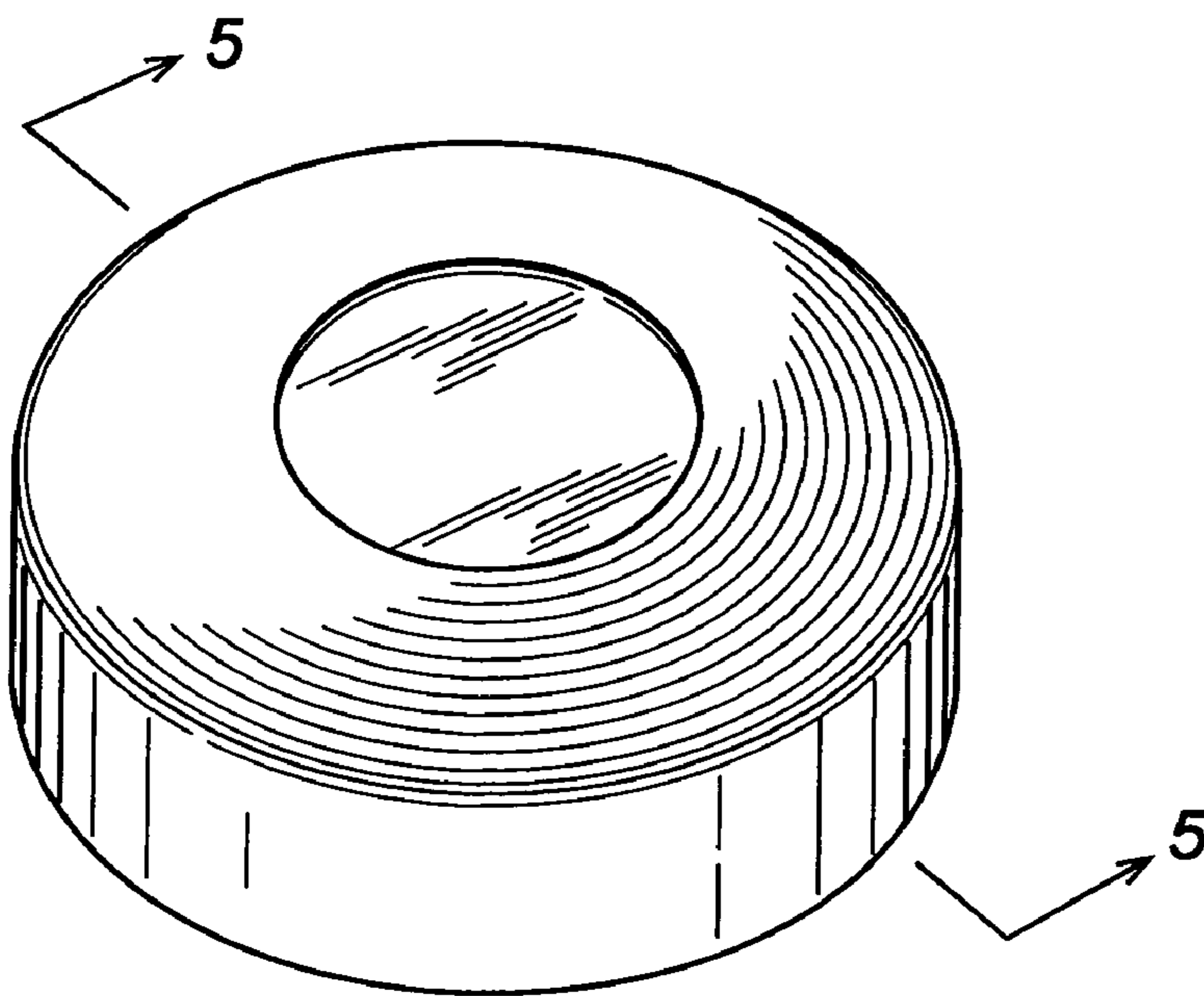


FIG. 2

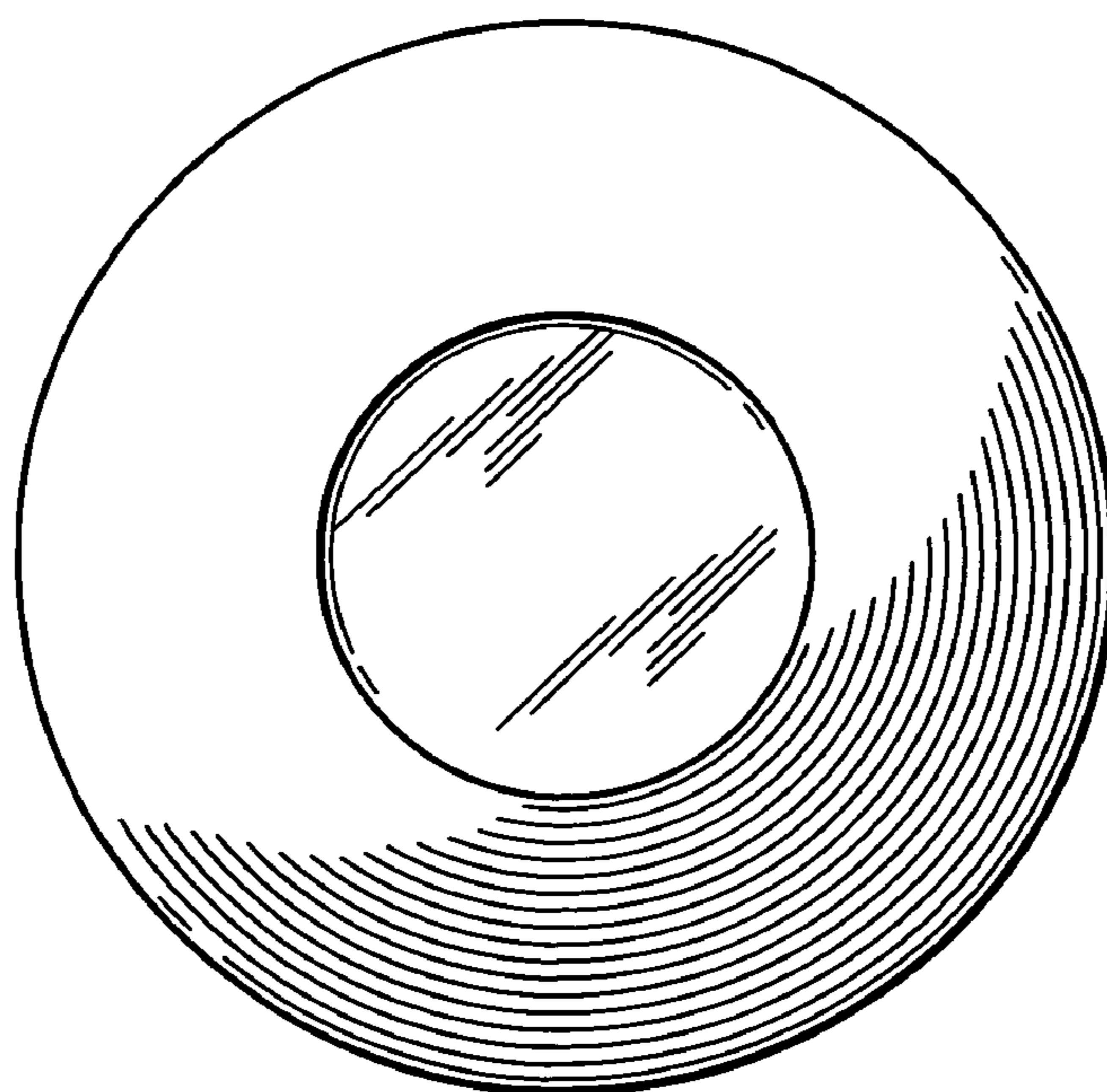


FIG. 3

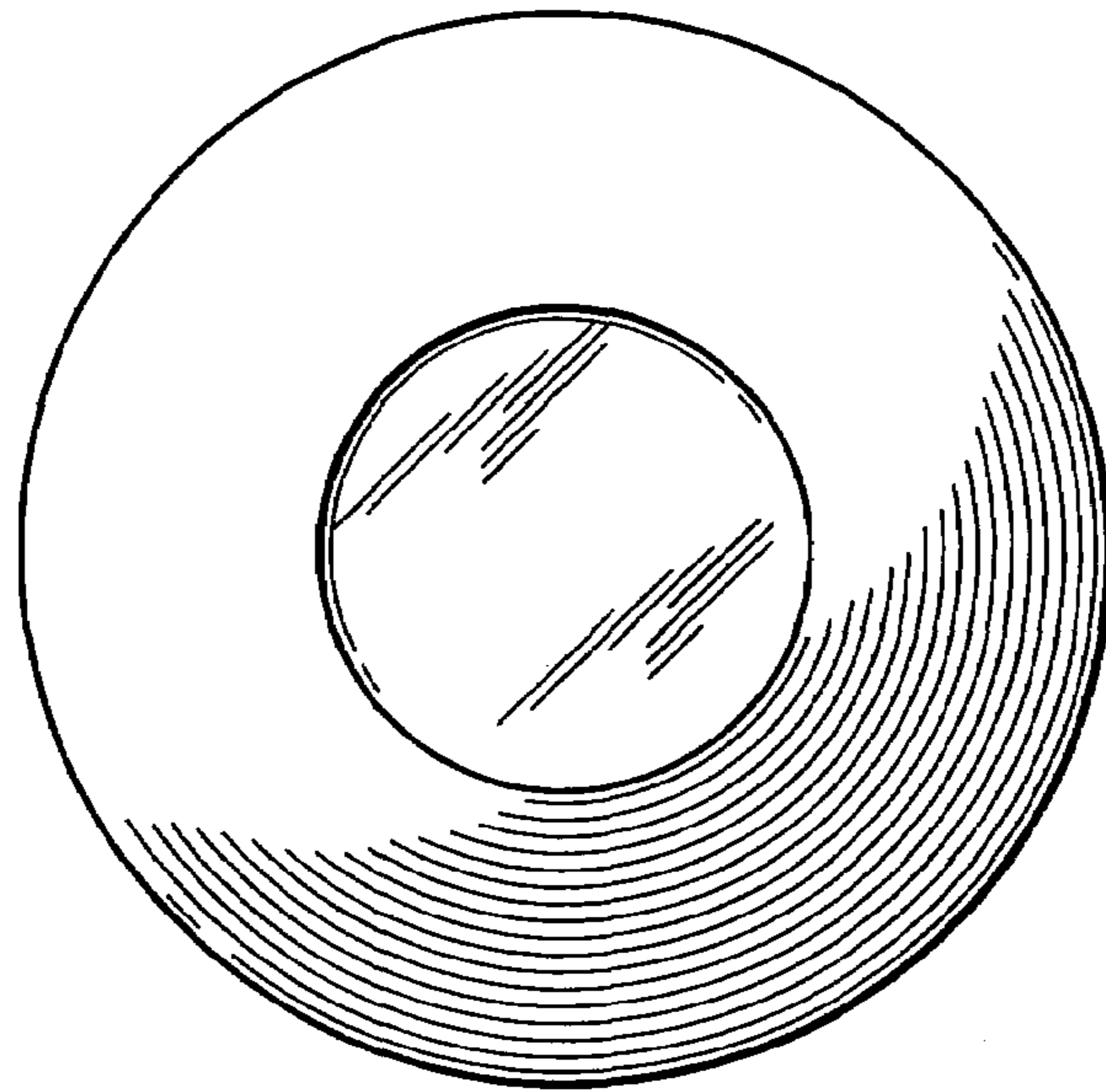


FIG. 4

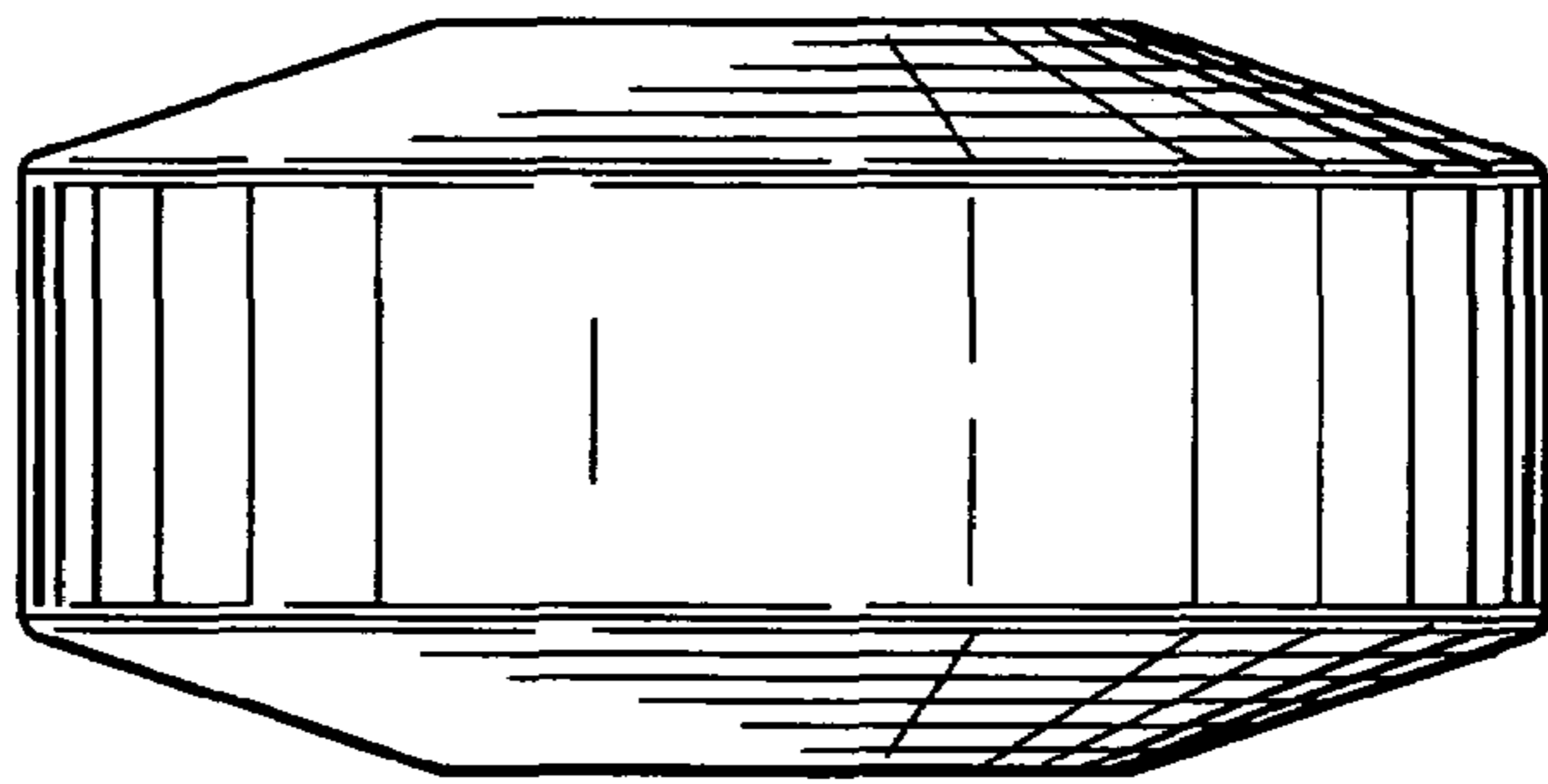


FIG. 5

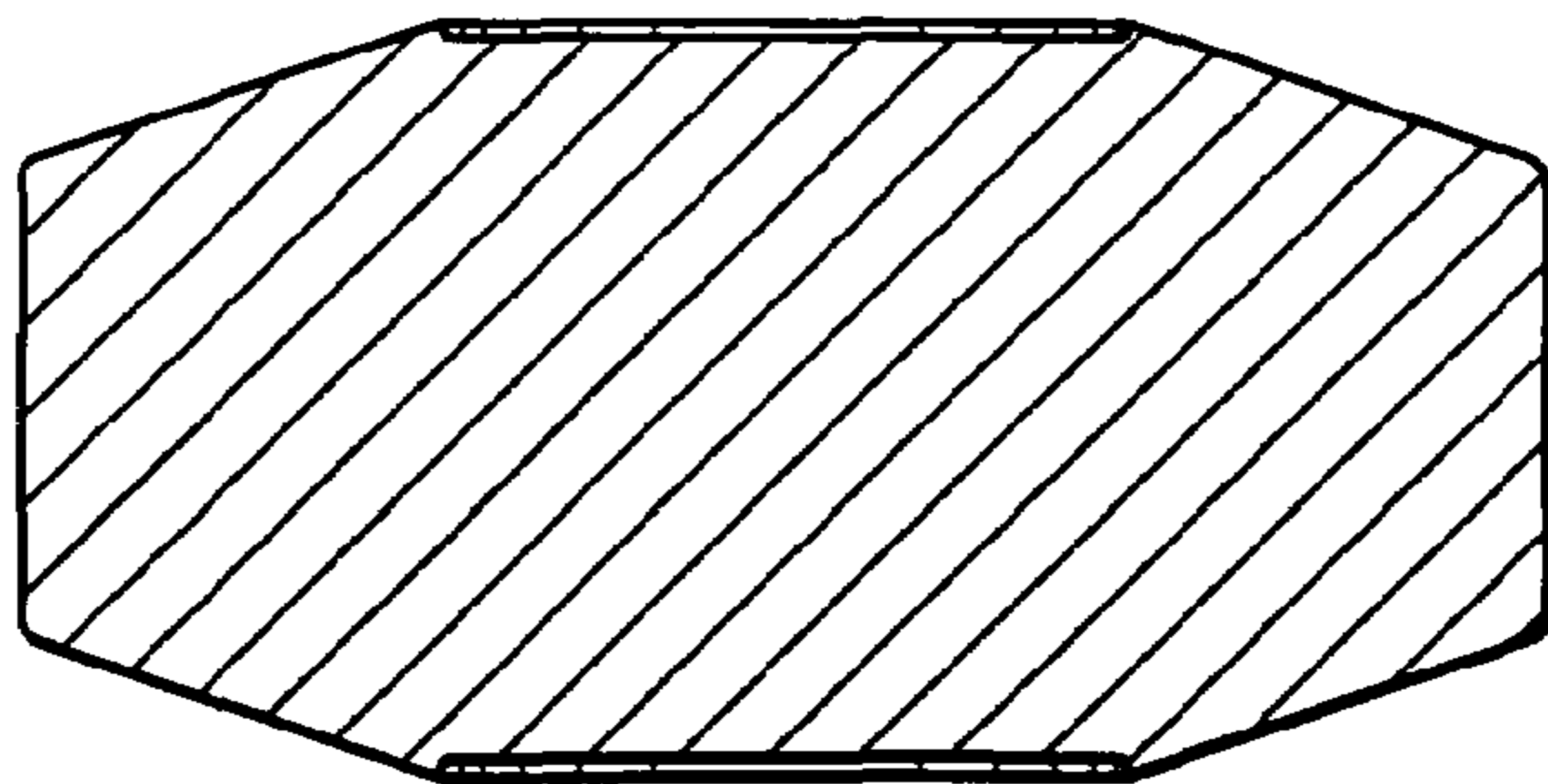


FIG. 6

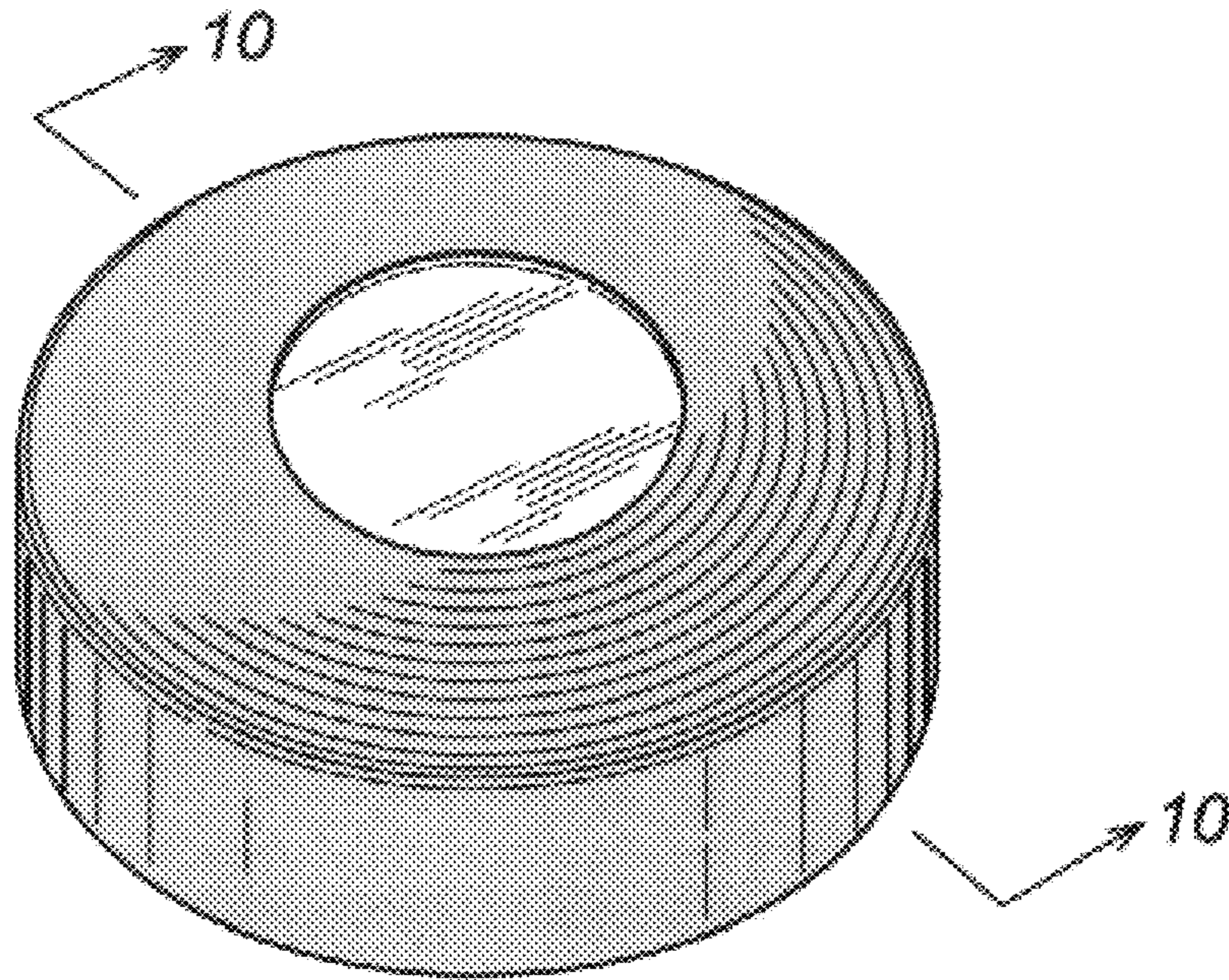


FIG. 7

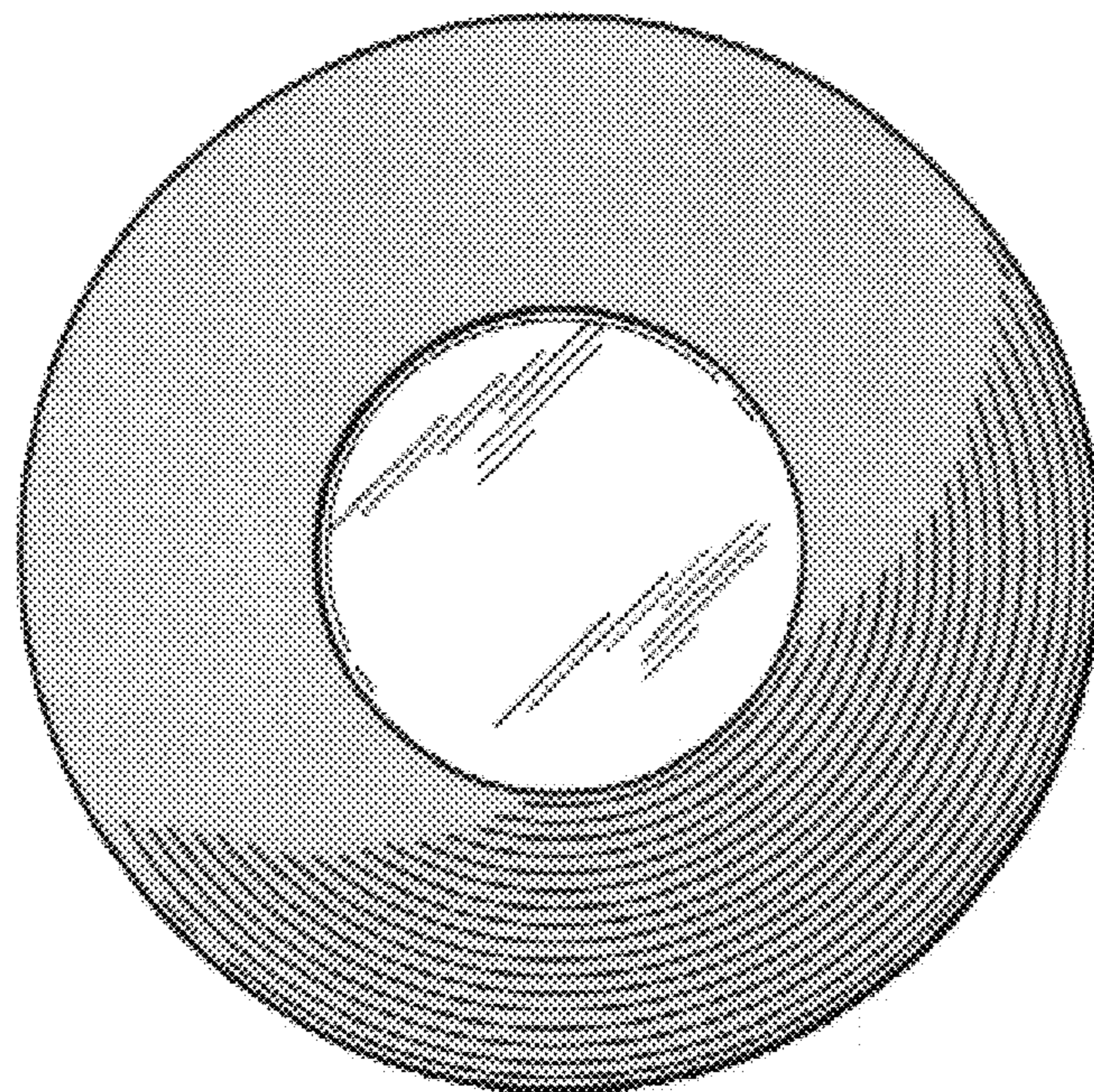


FIG. 8

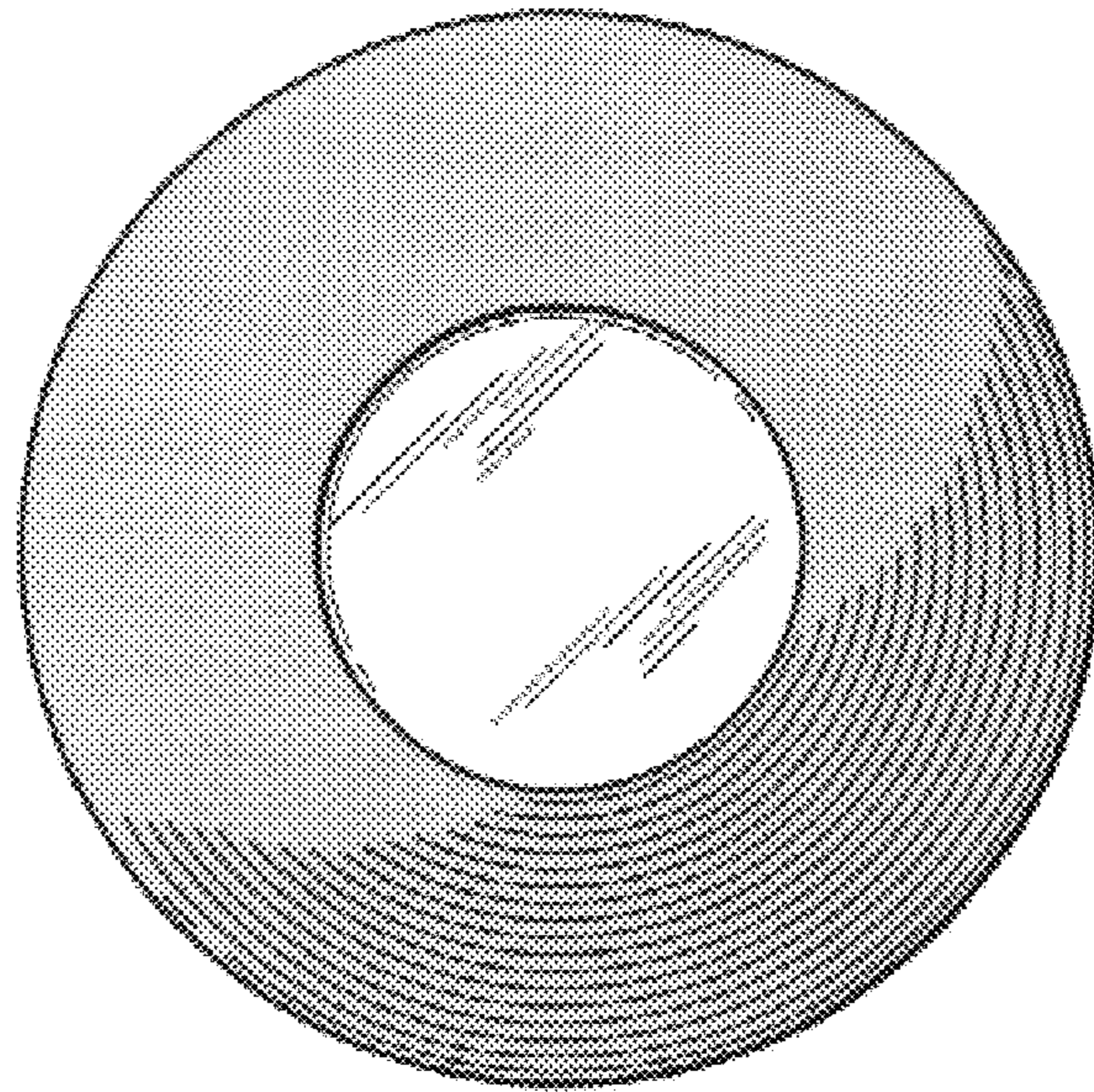


FIG. 9

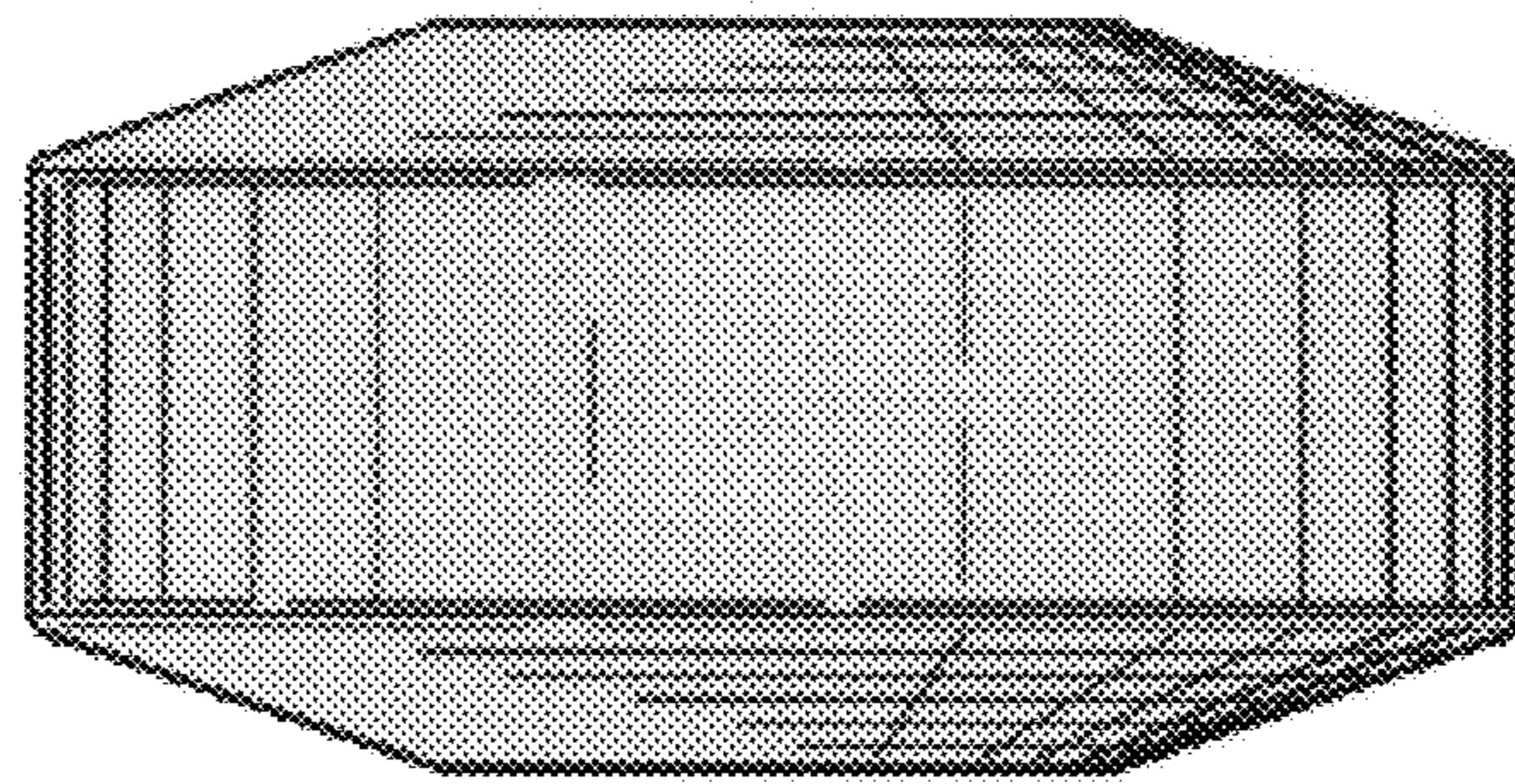


FIG. 10

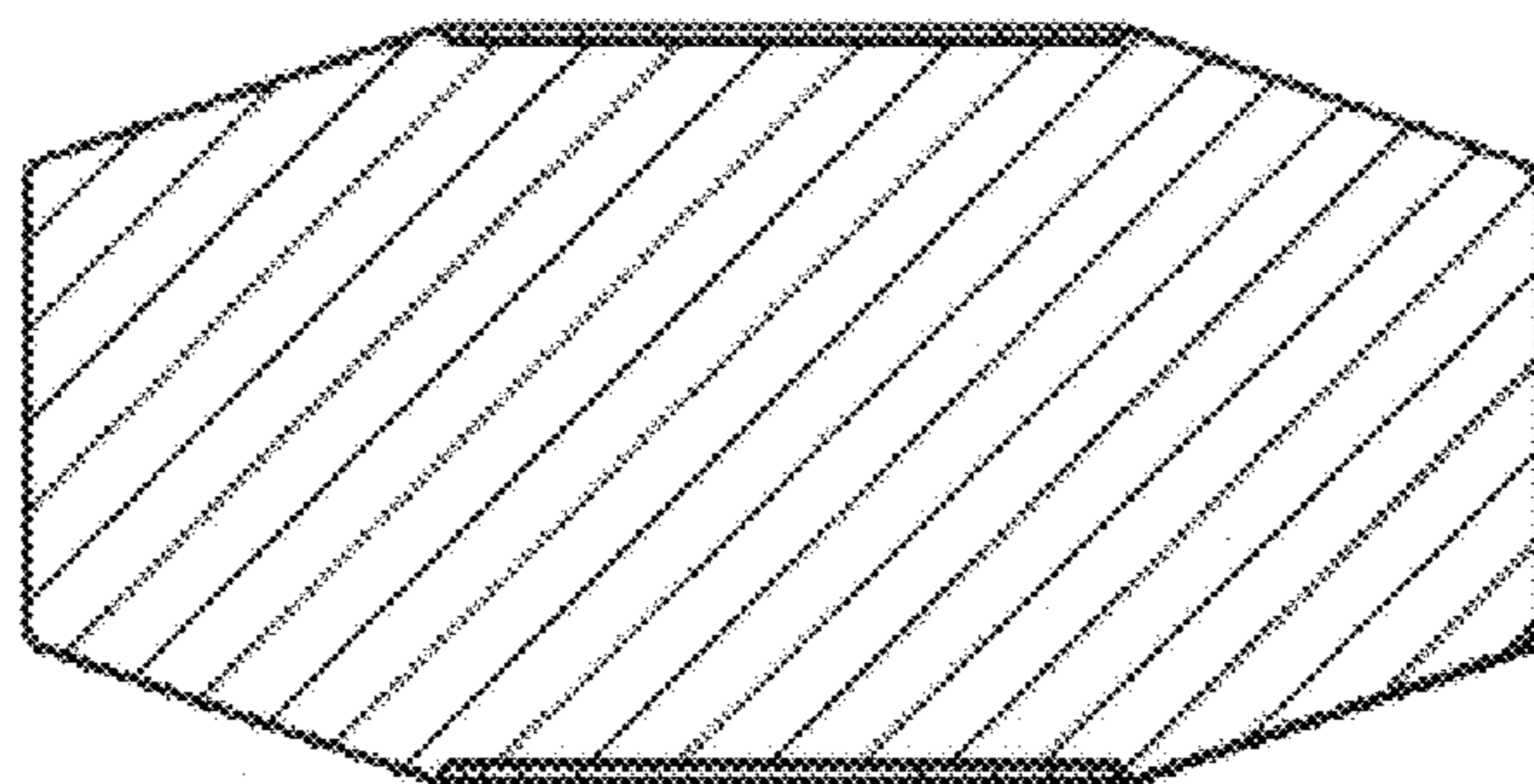


FIG. 11

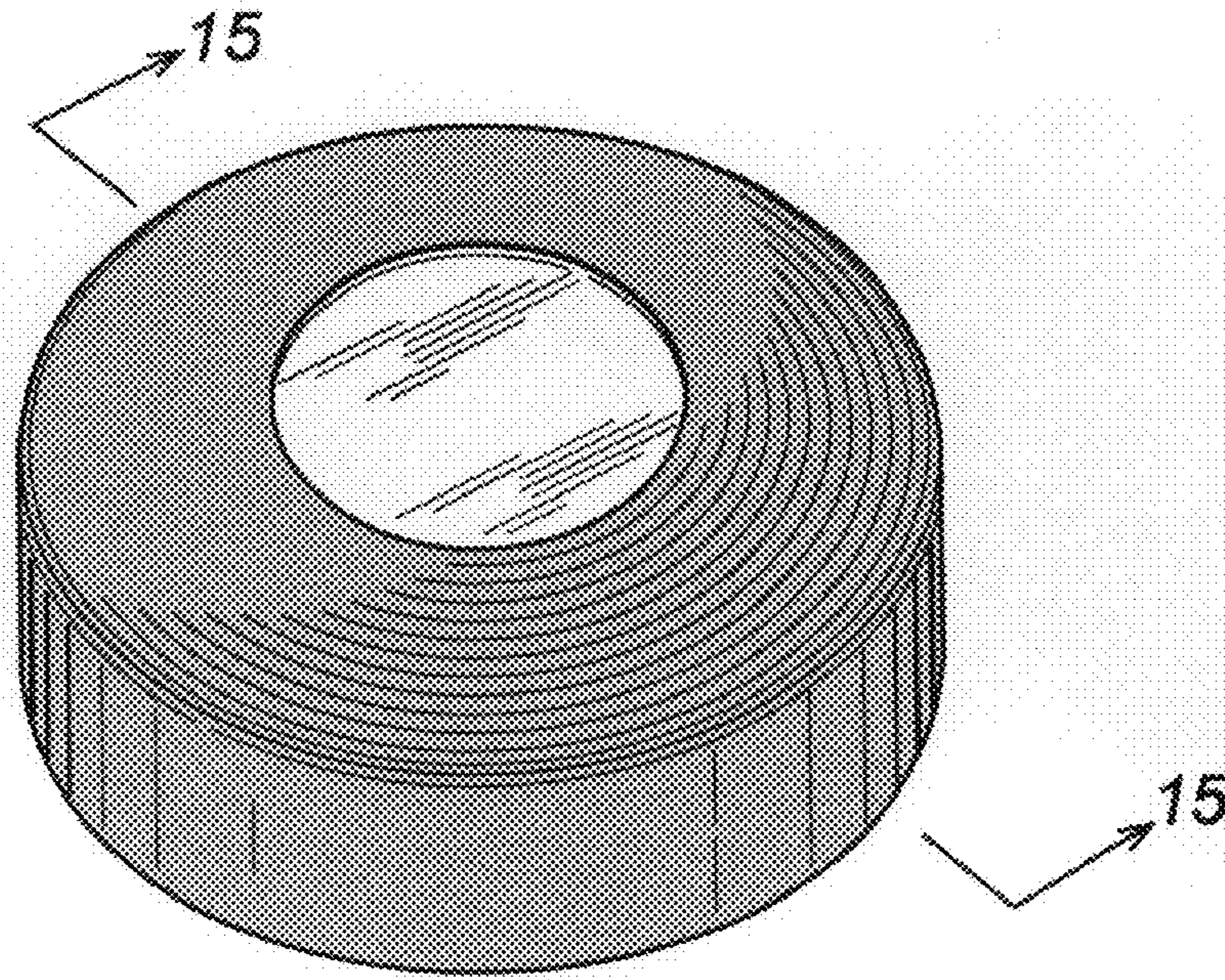


FIG. 12

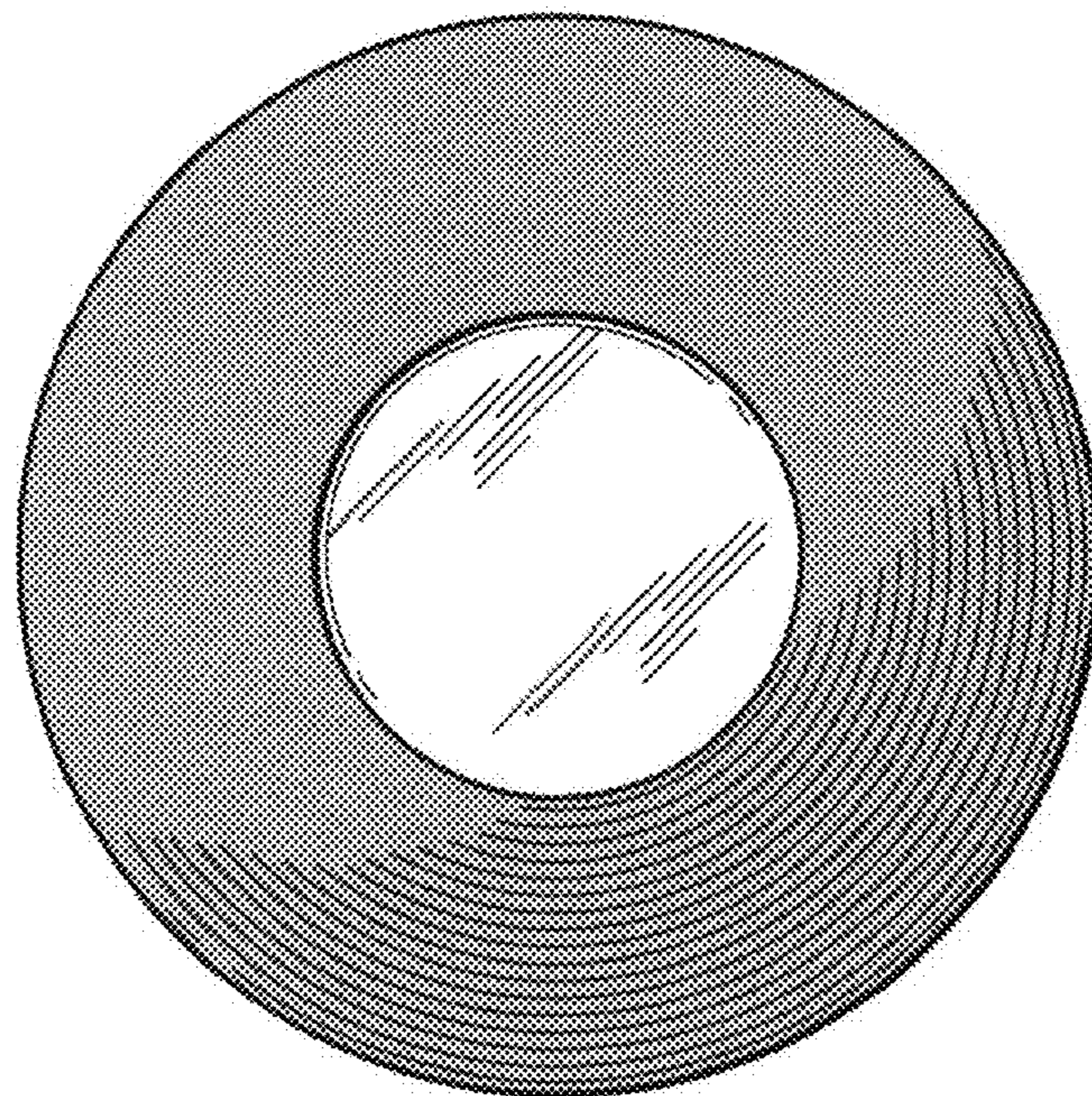


FIG. 13

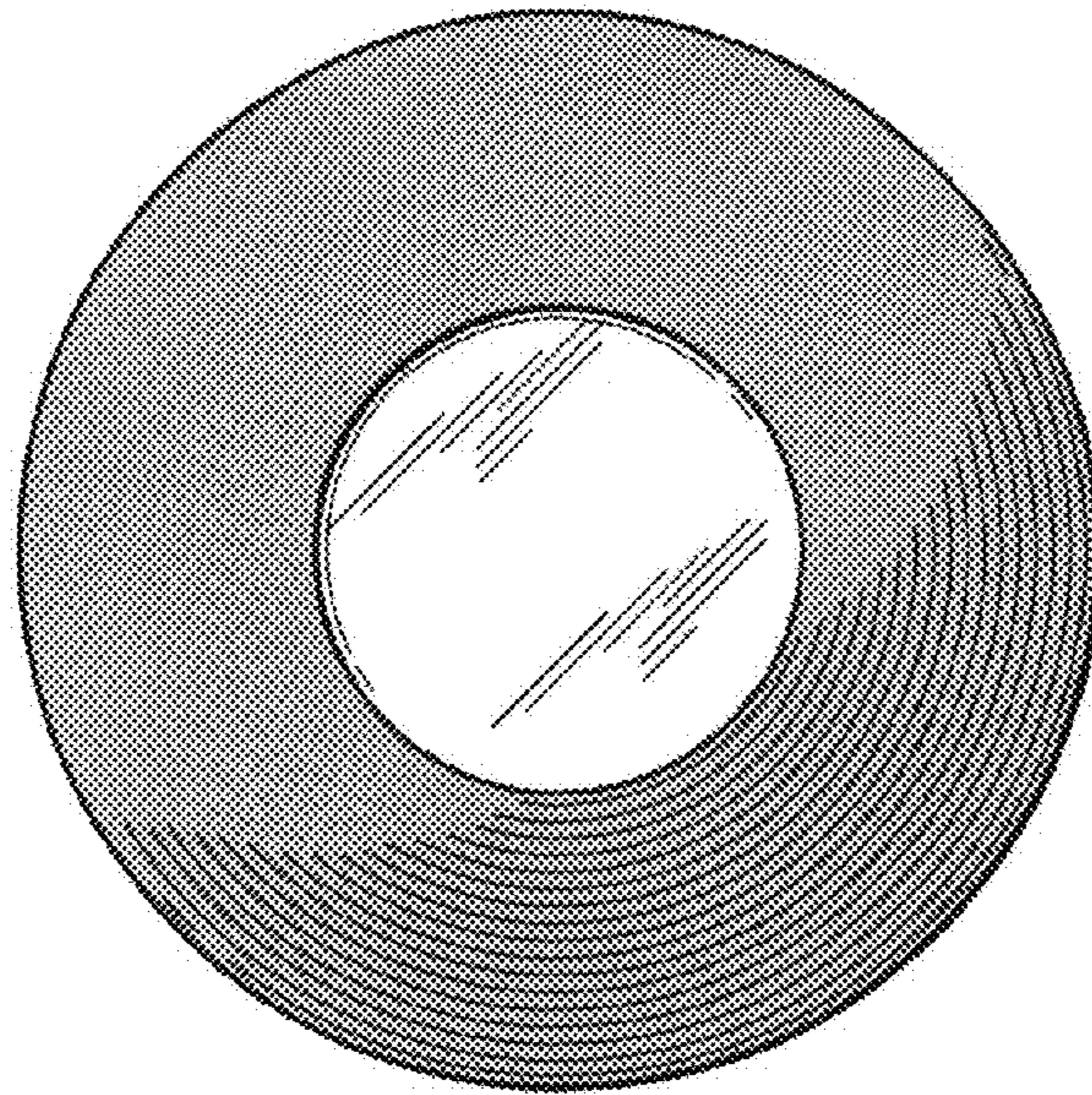


FIG. 14

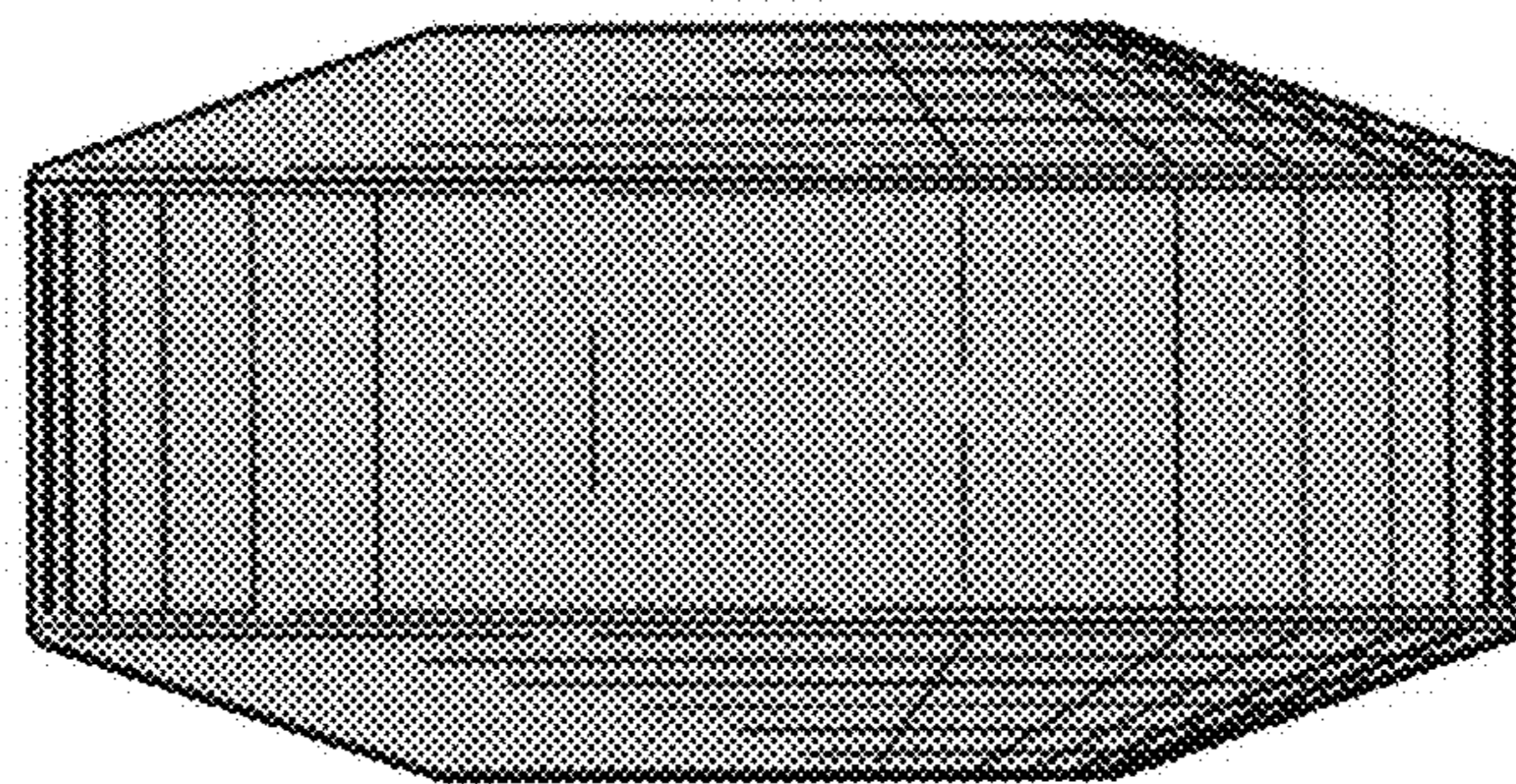


FIG. 15

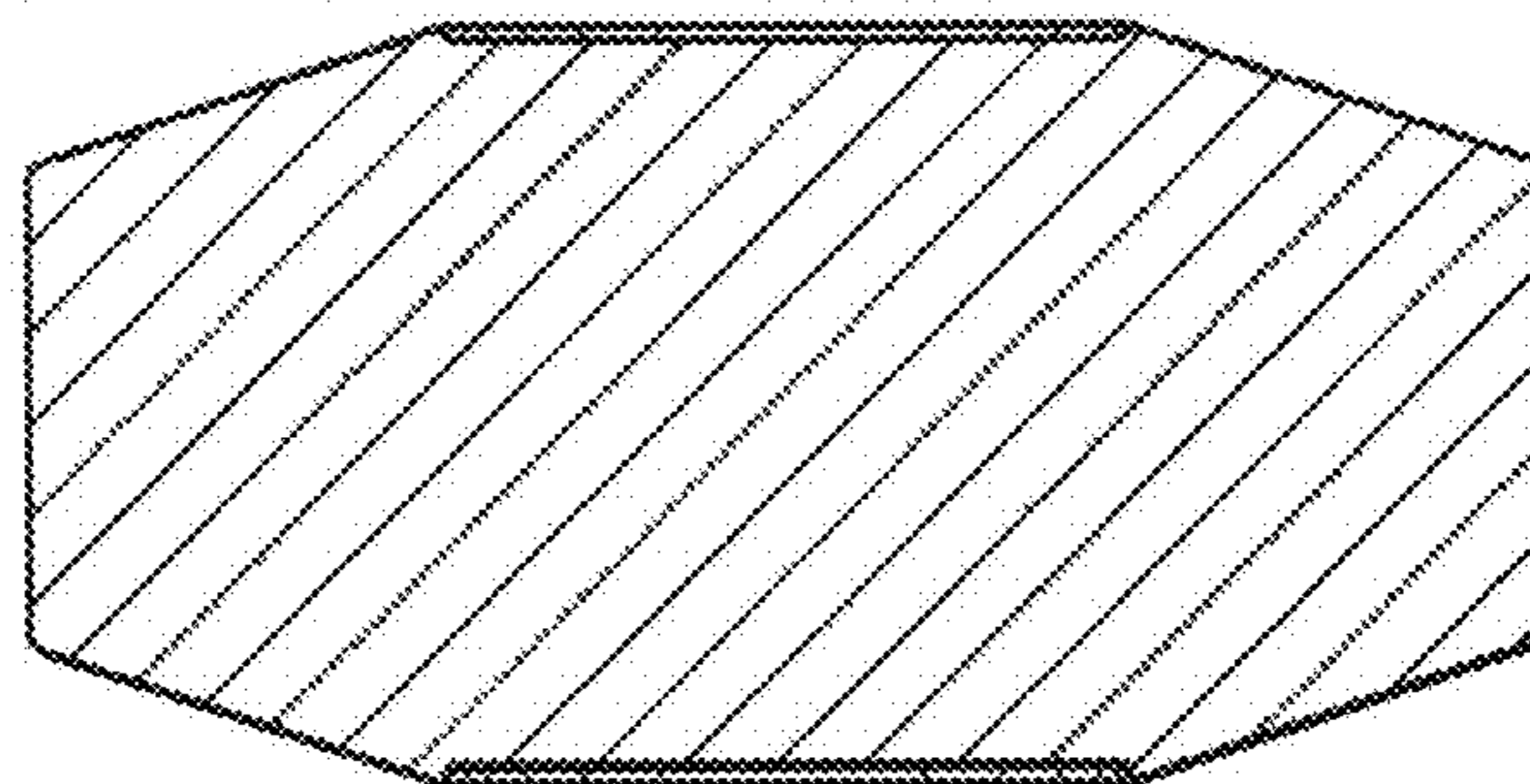


FIG. 16

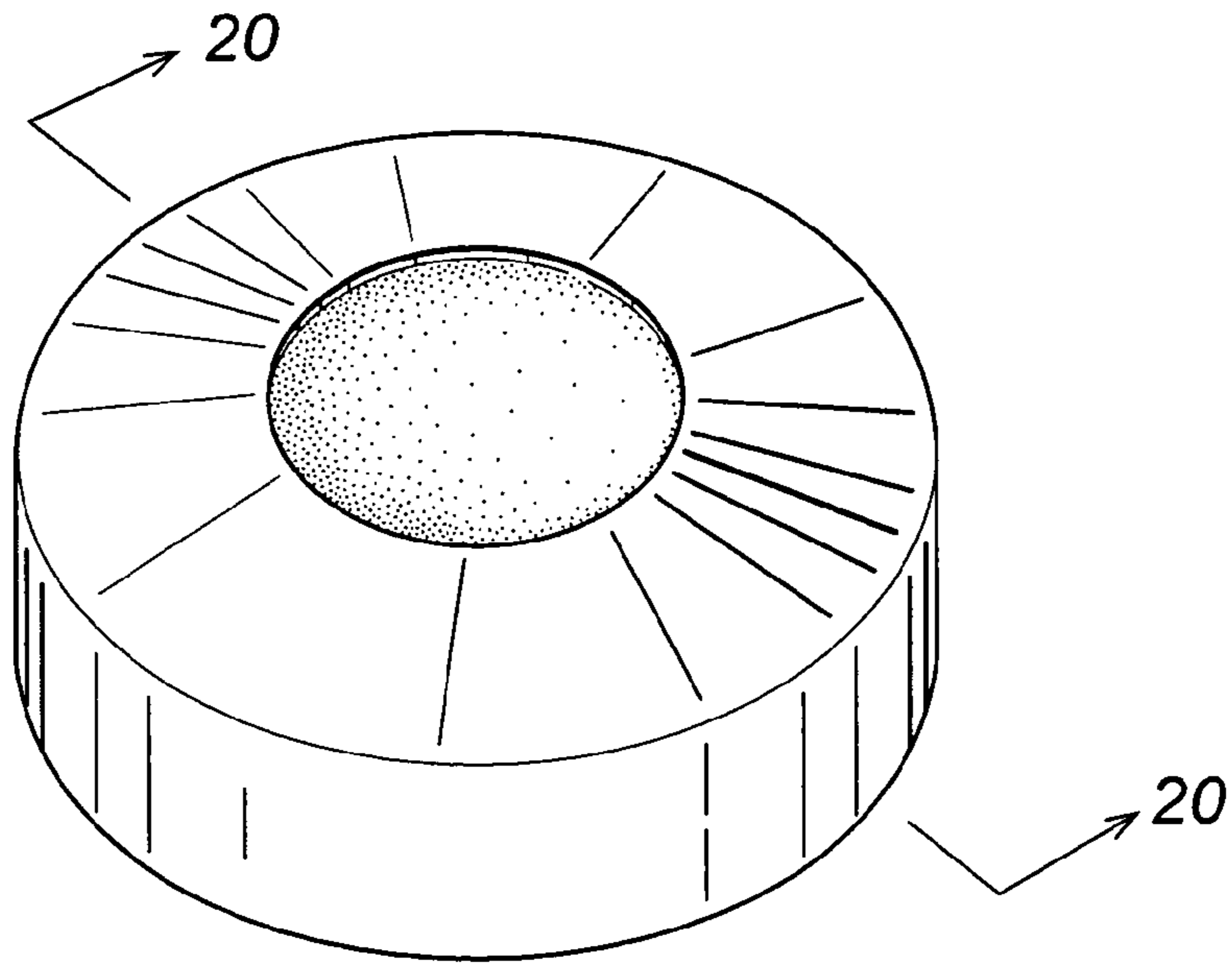


FIG. 17

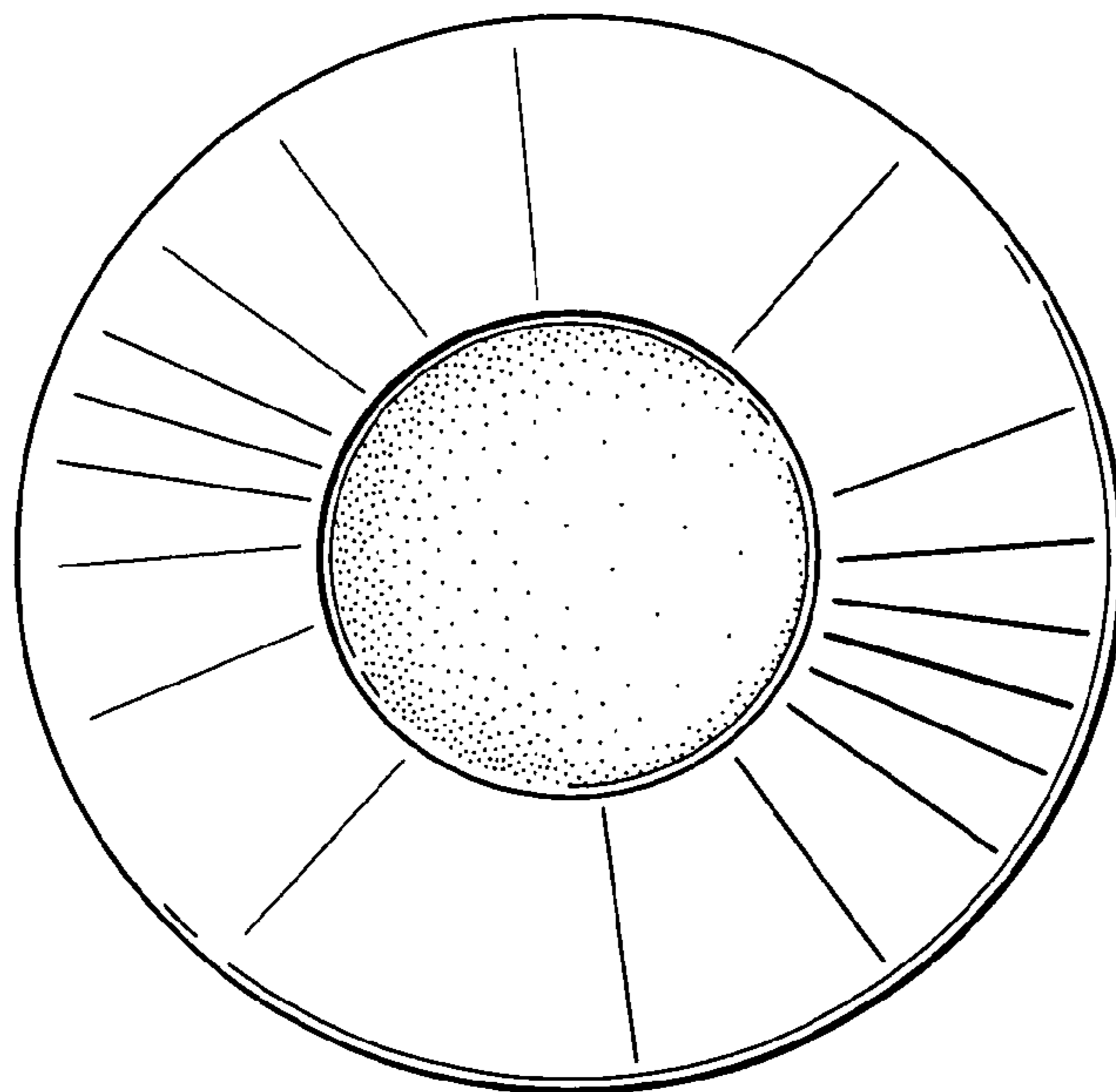


FIG. 18

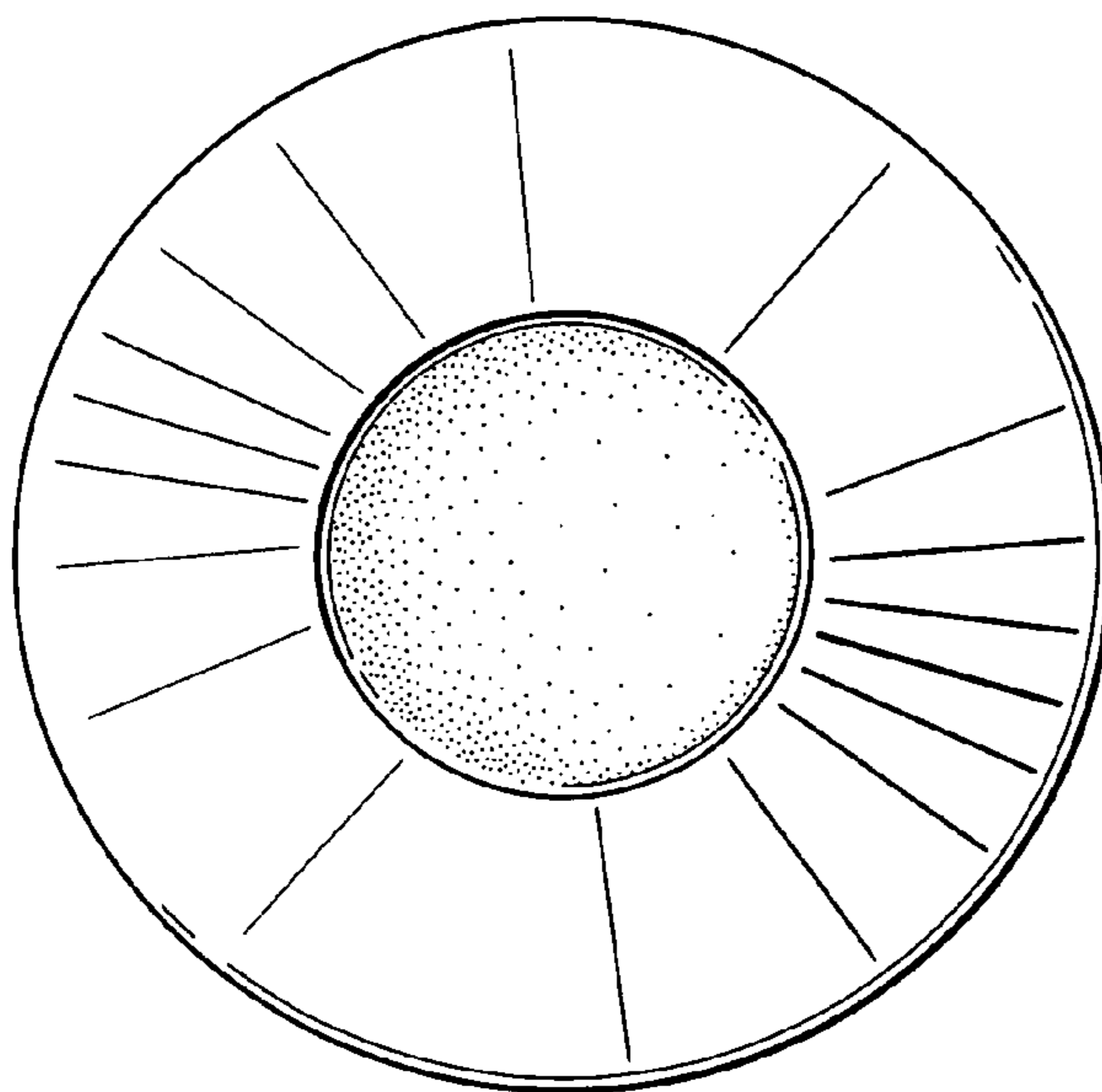


FIG. 19

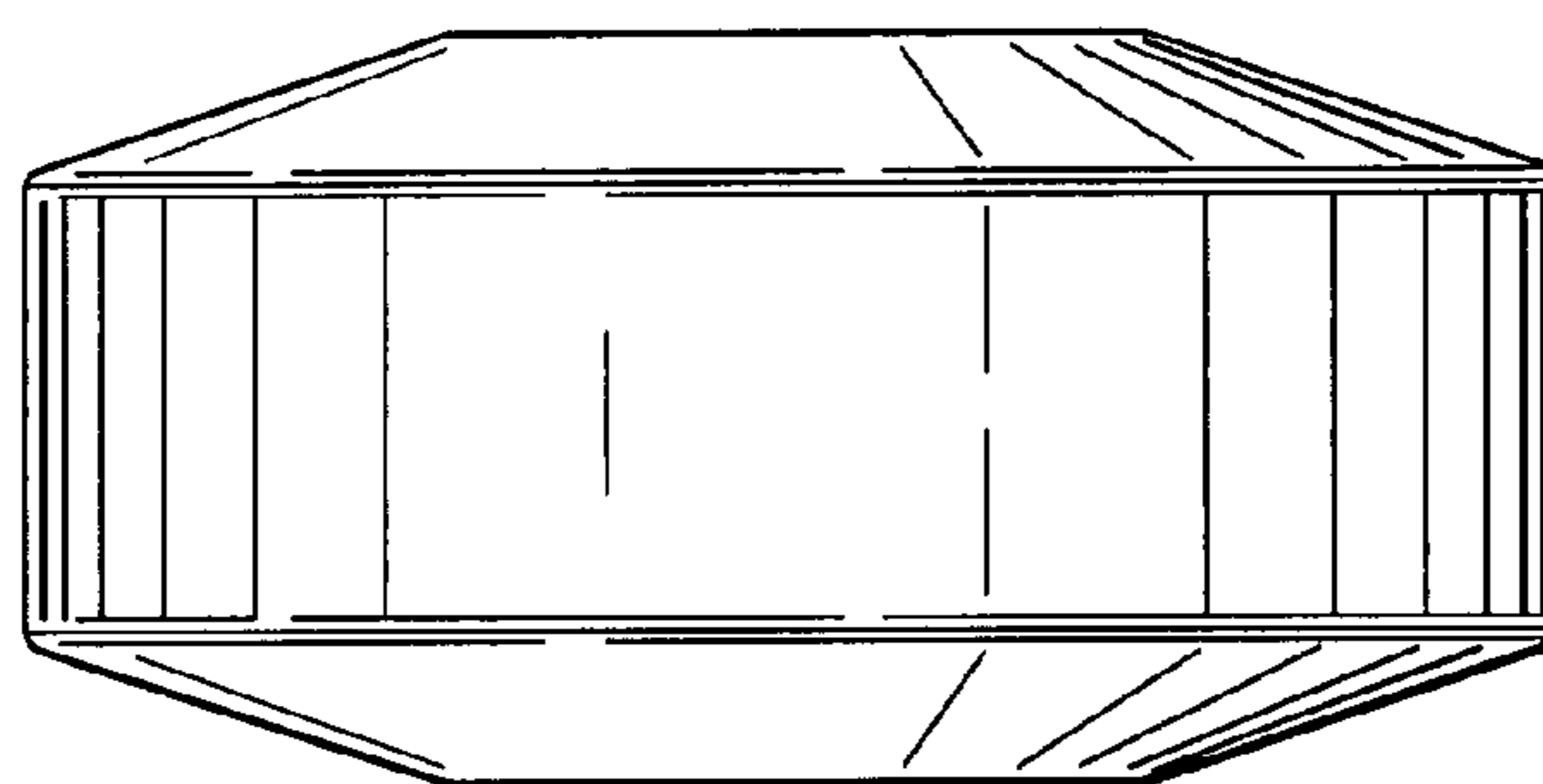


FIG. 20

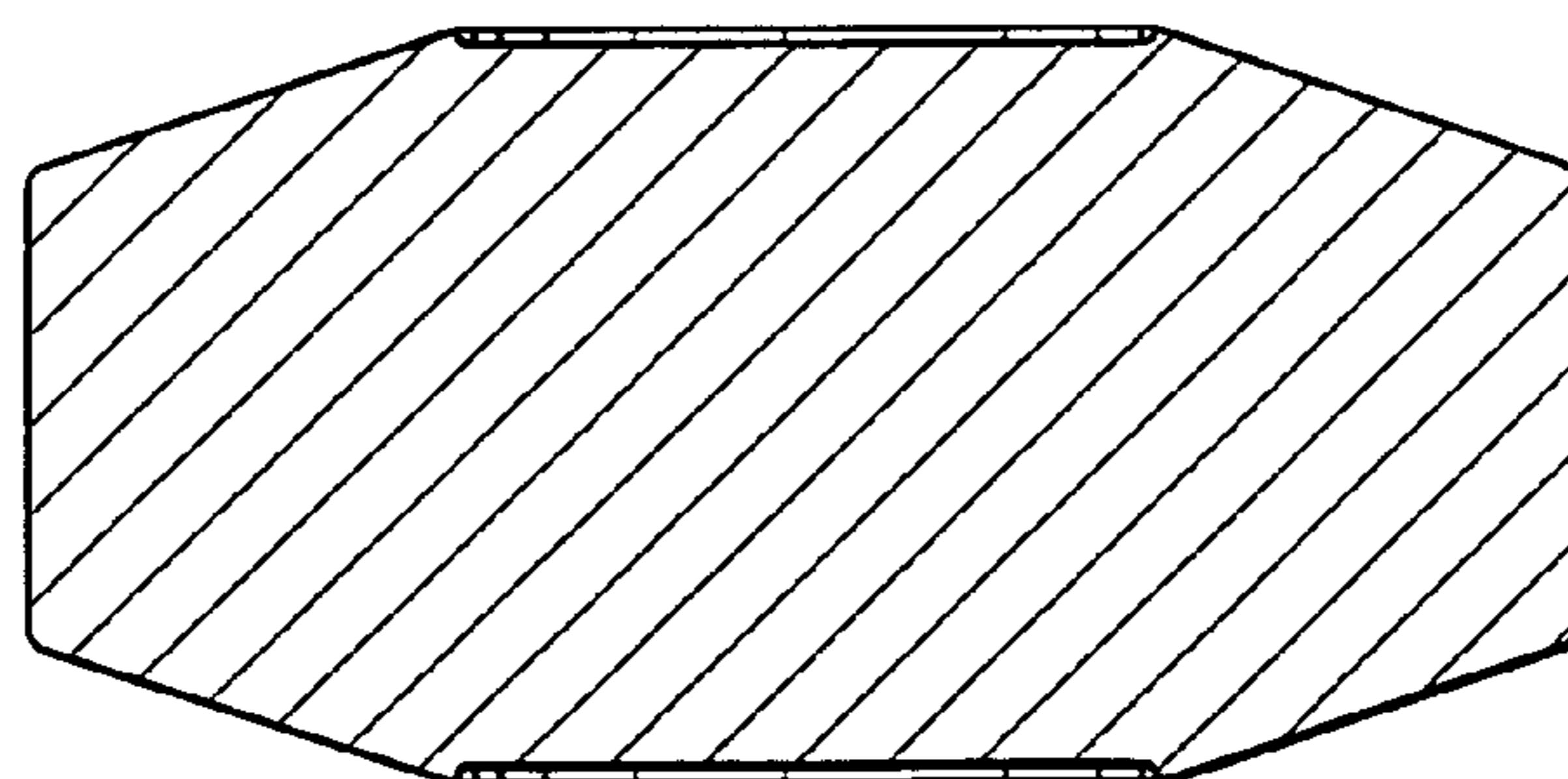


FIG. 21

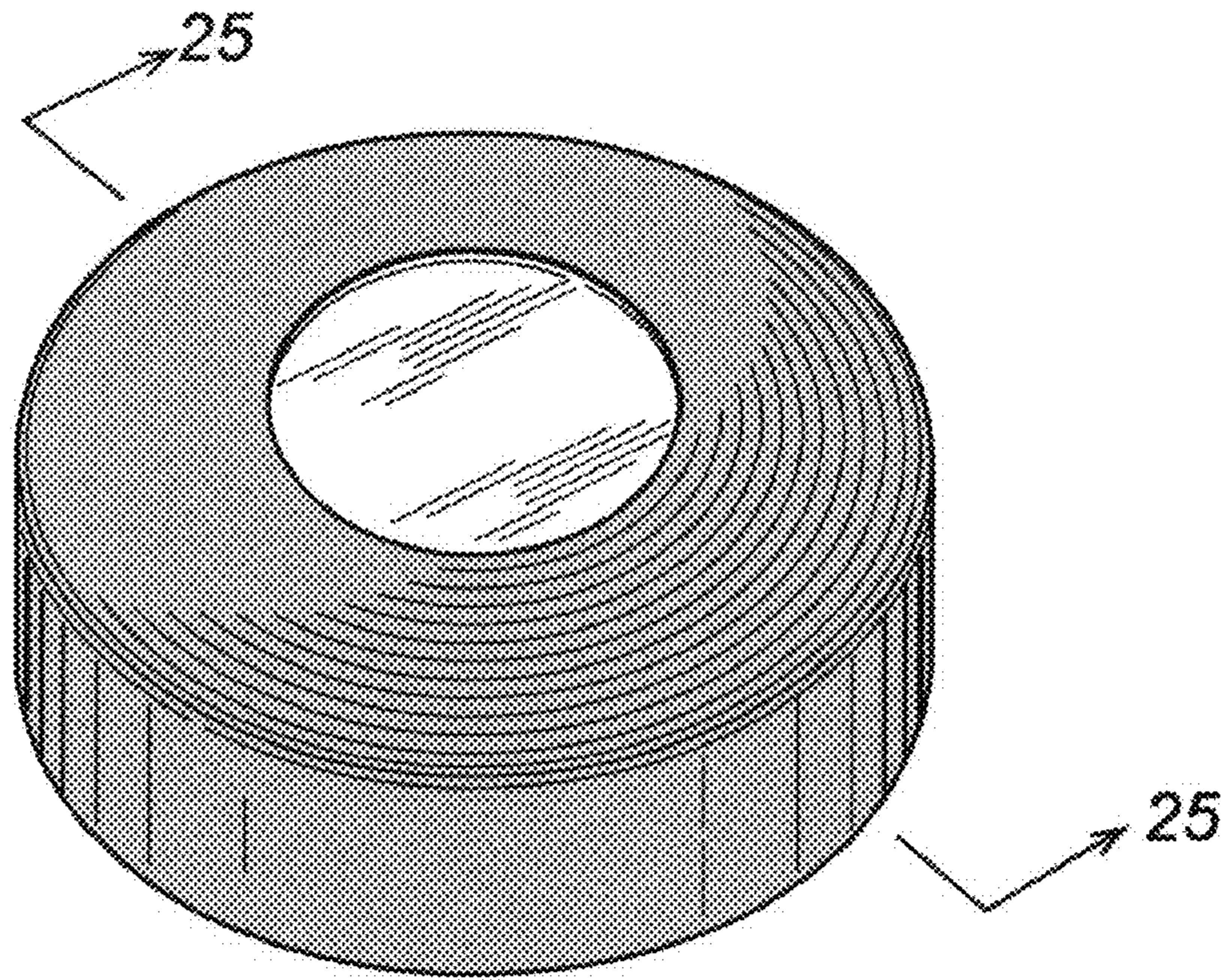


FIG. 22

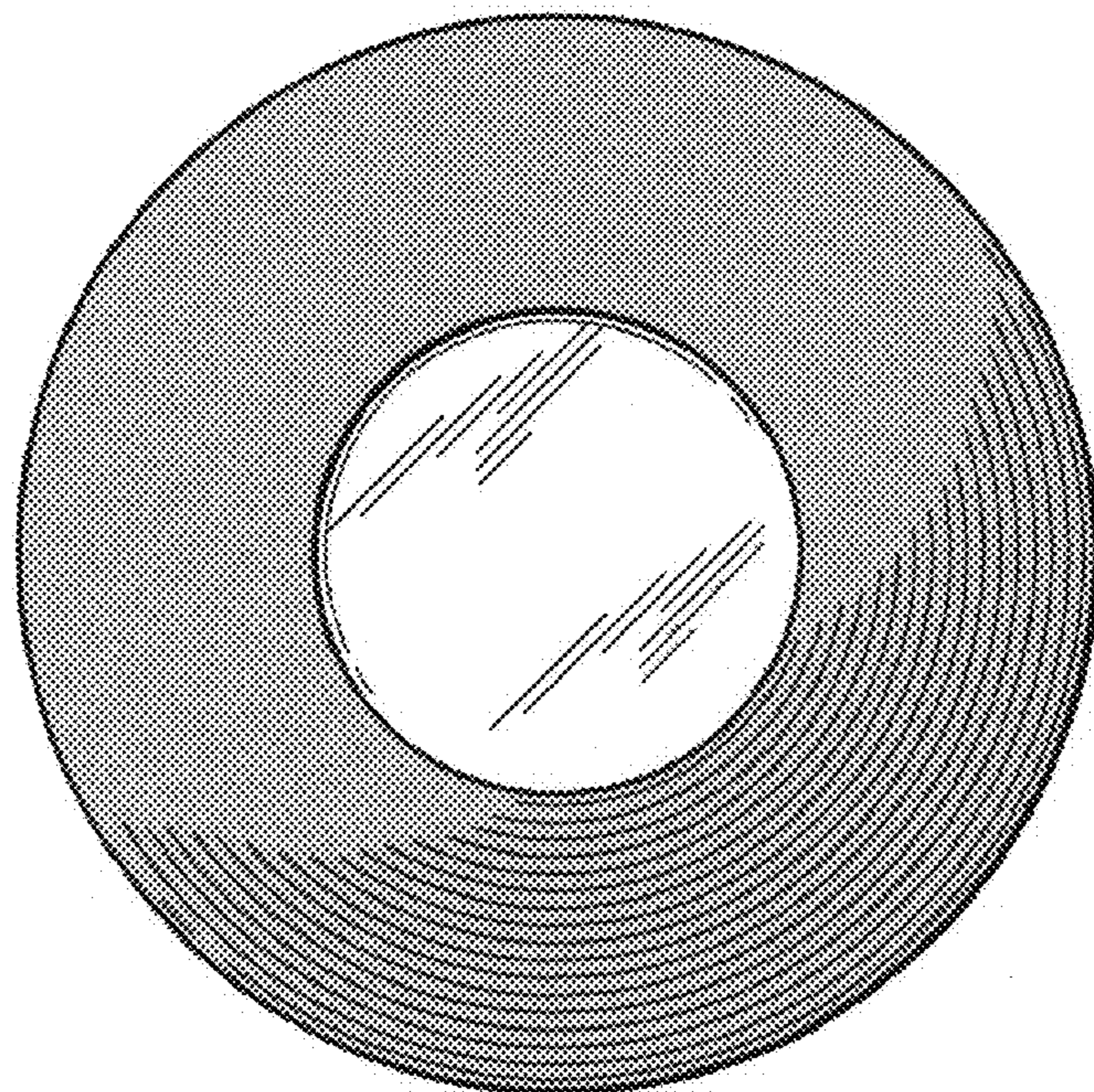


FIG. 23

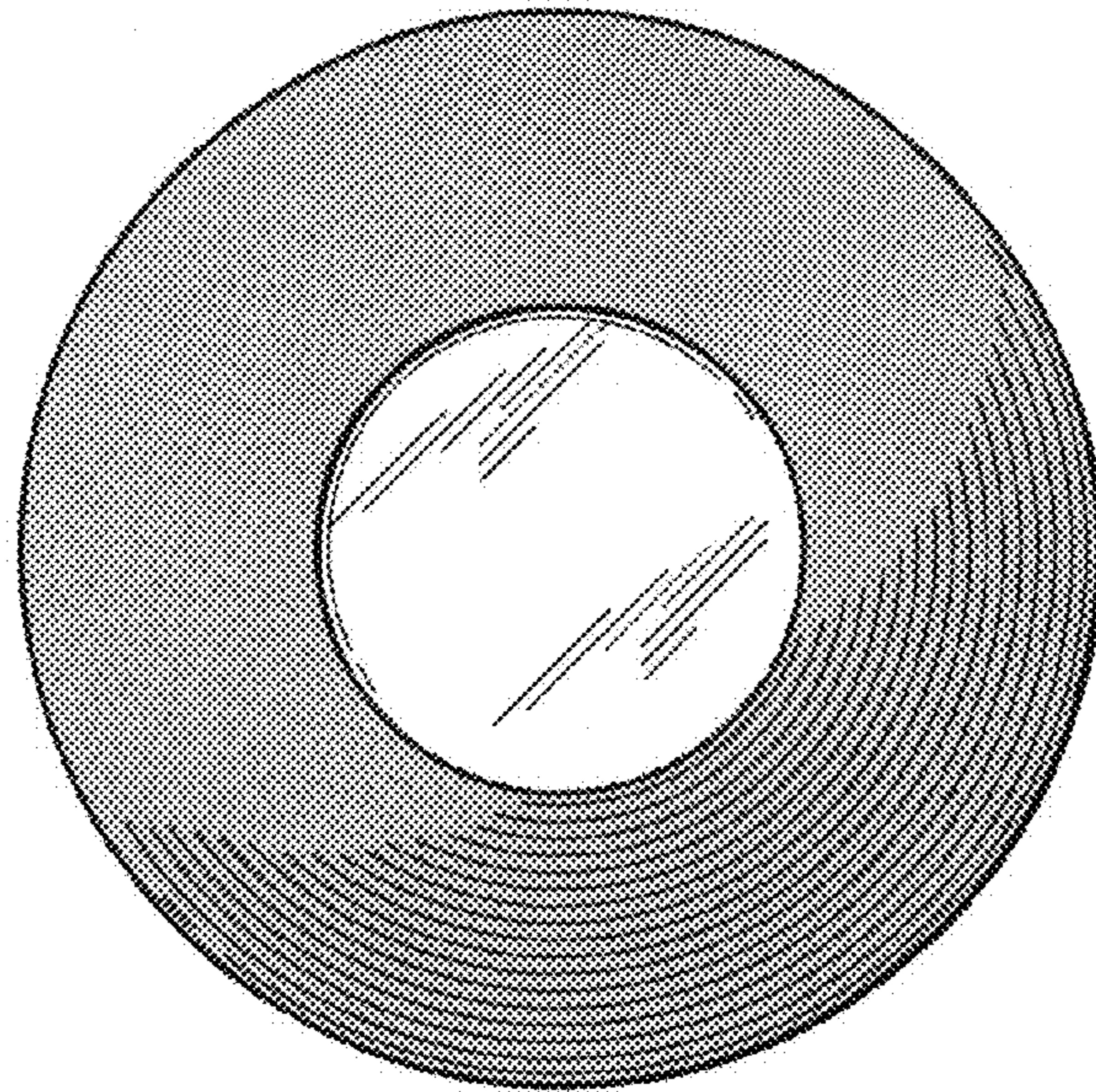


FIG. 24

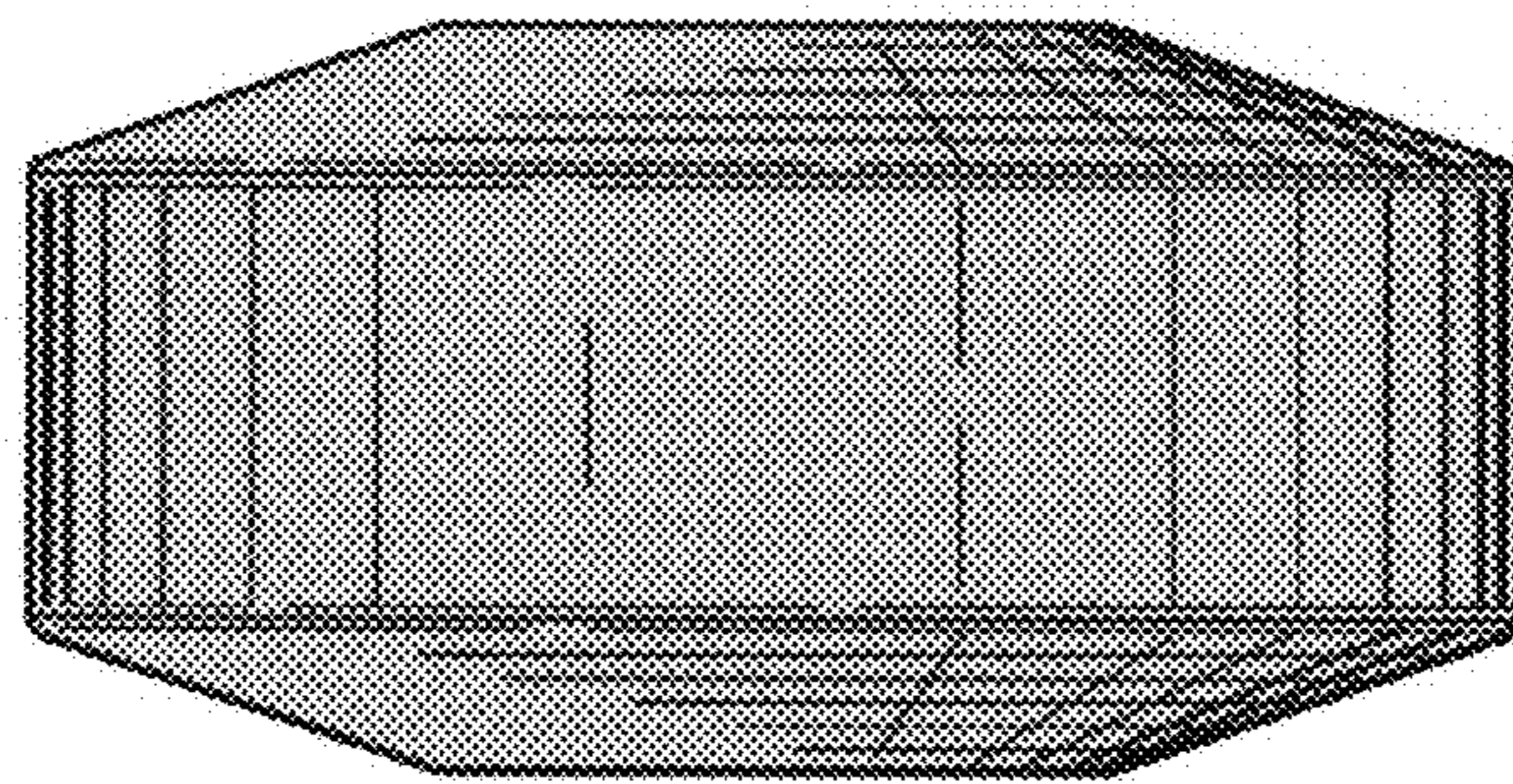


FIG. 25

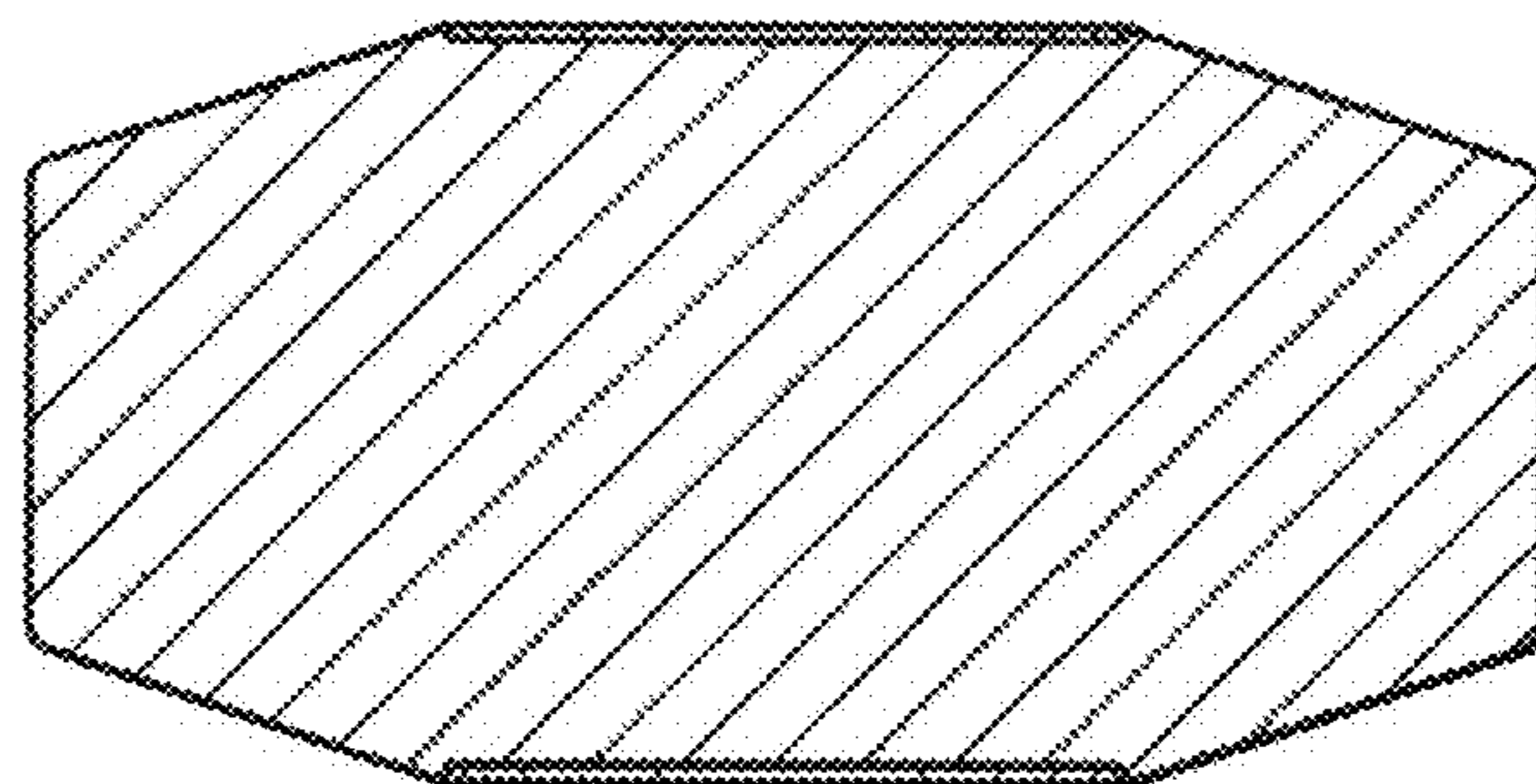


FIG. 26

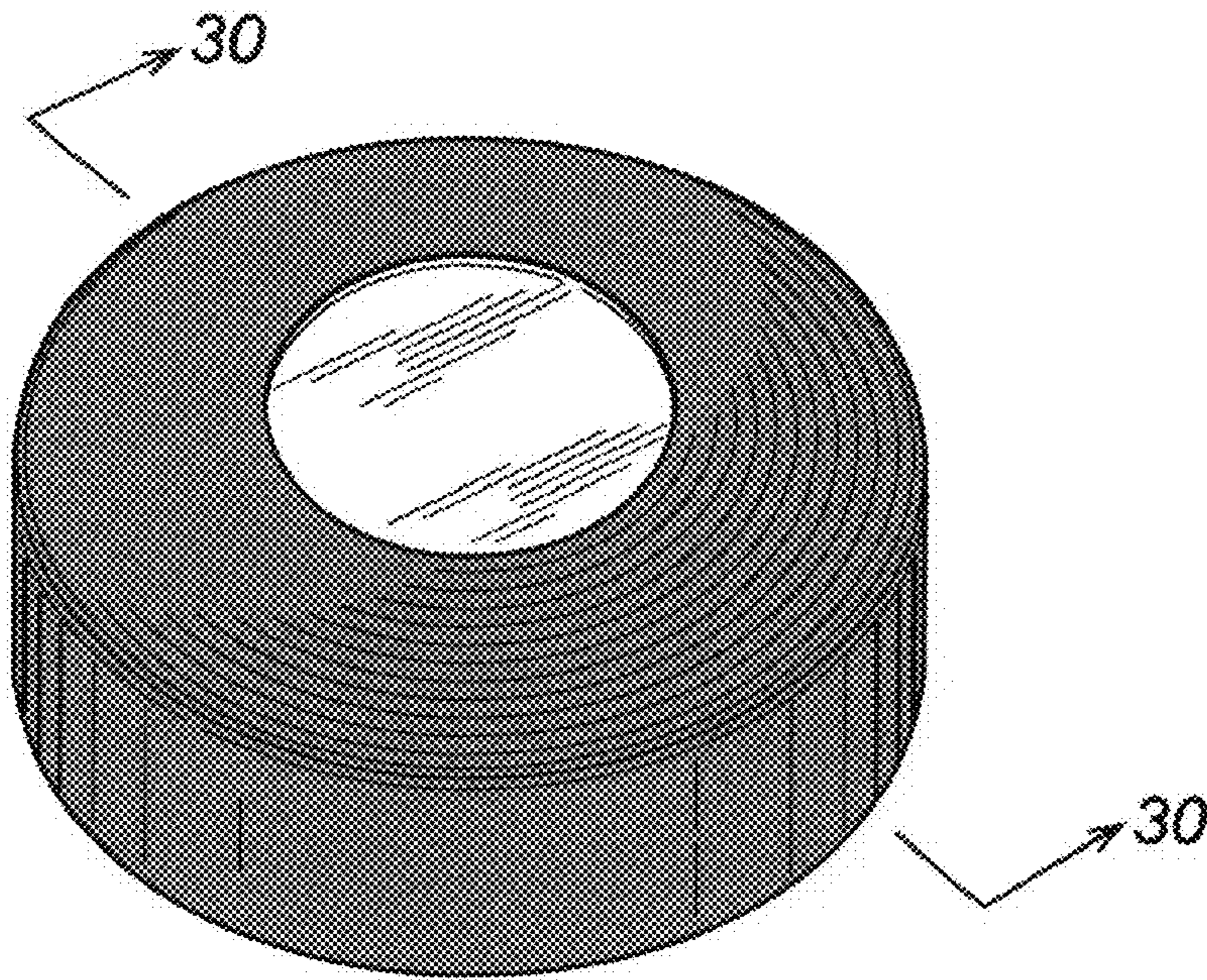


FIG. 27

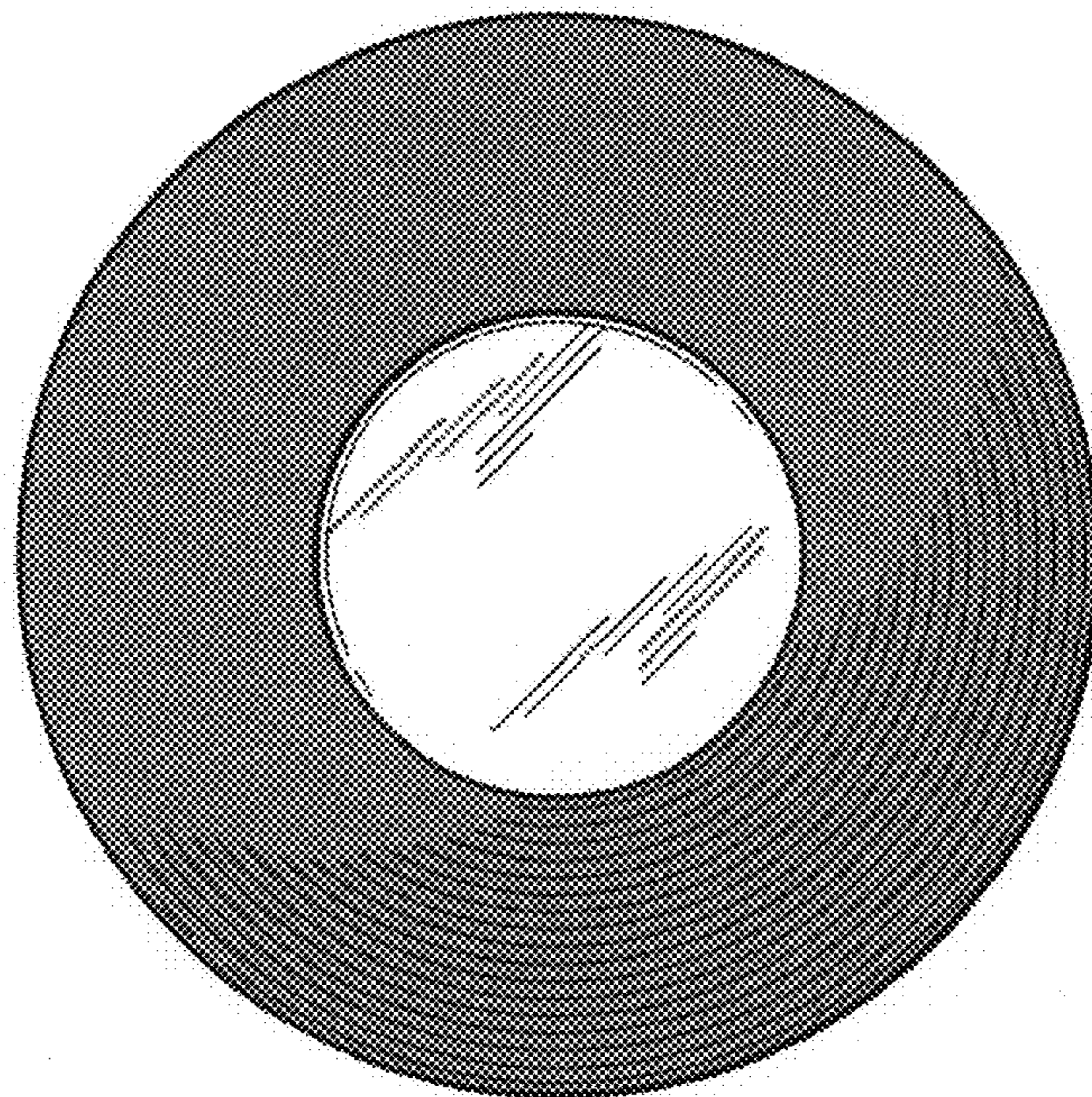


FIG. 28

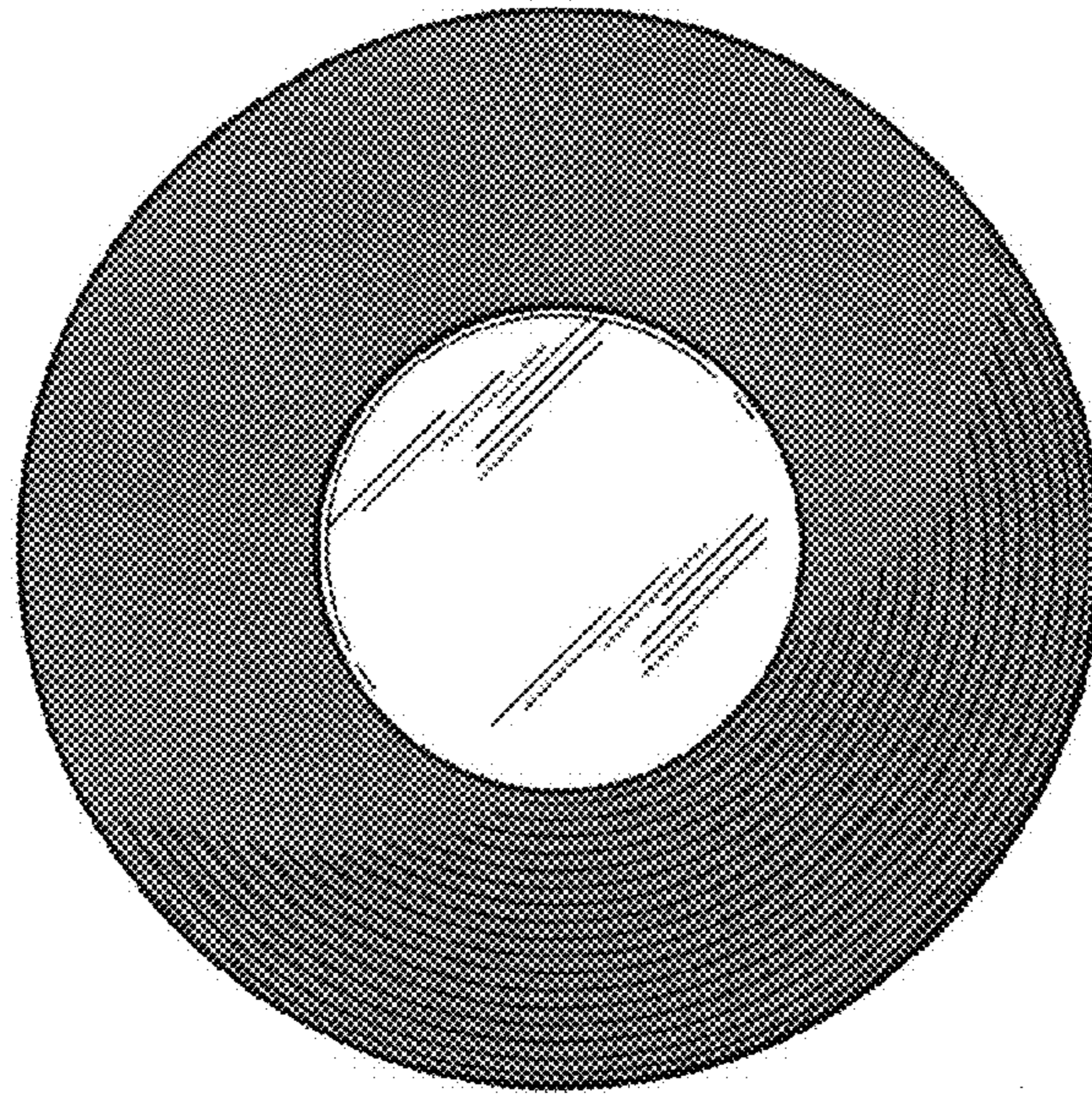


FIG. 29

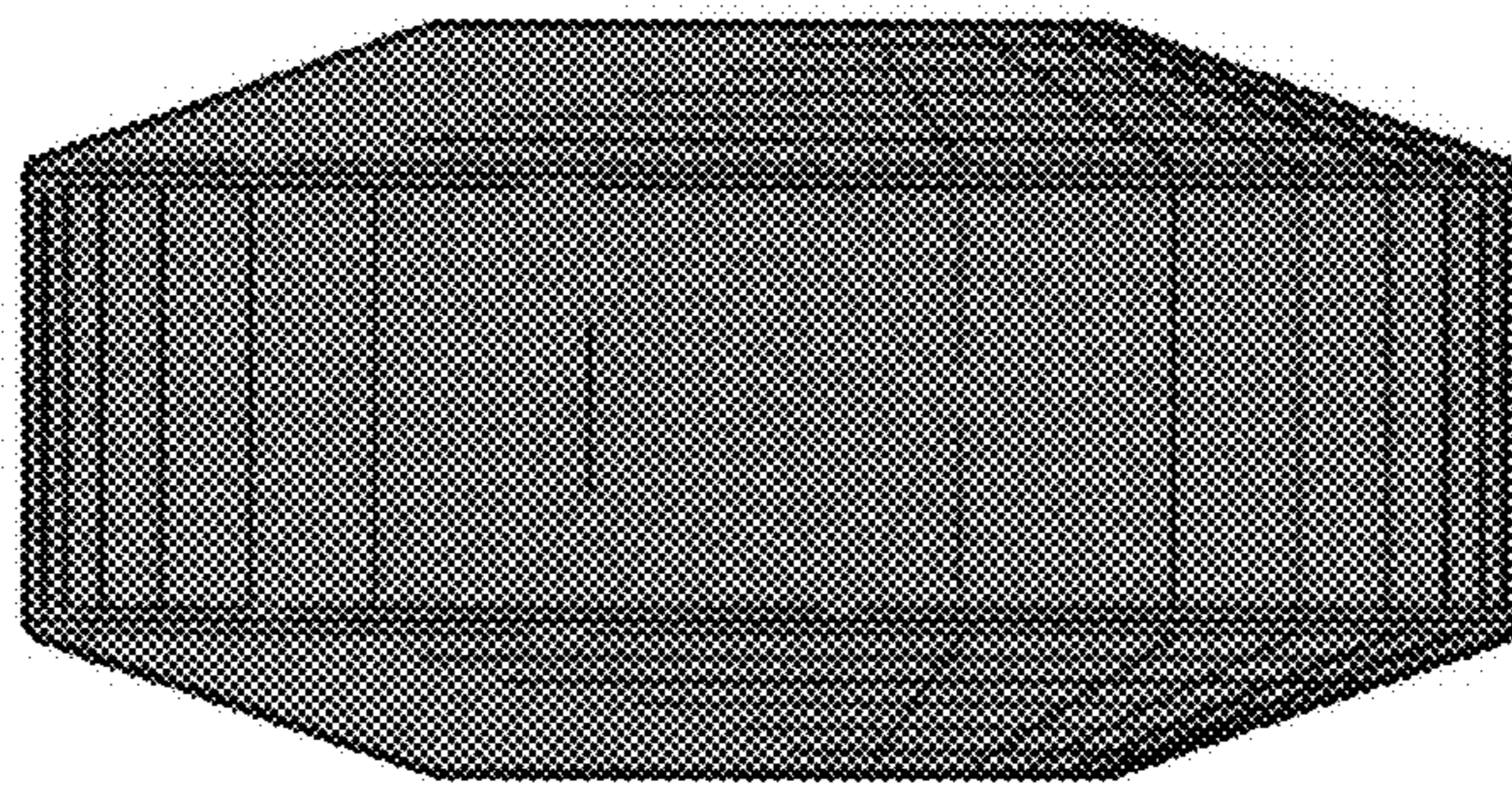


FIG. 30

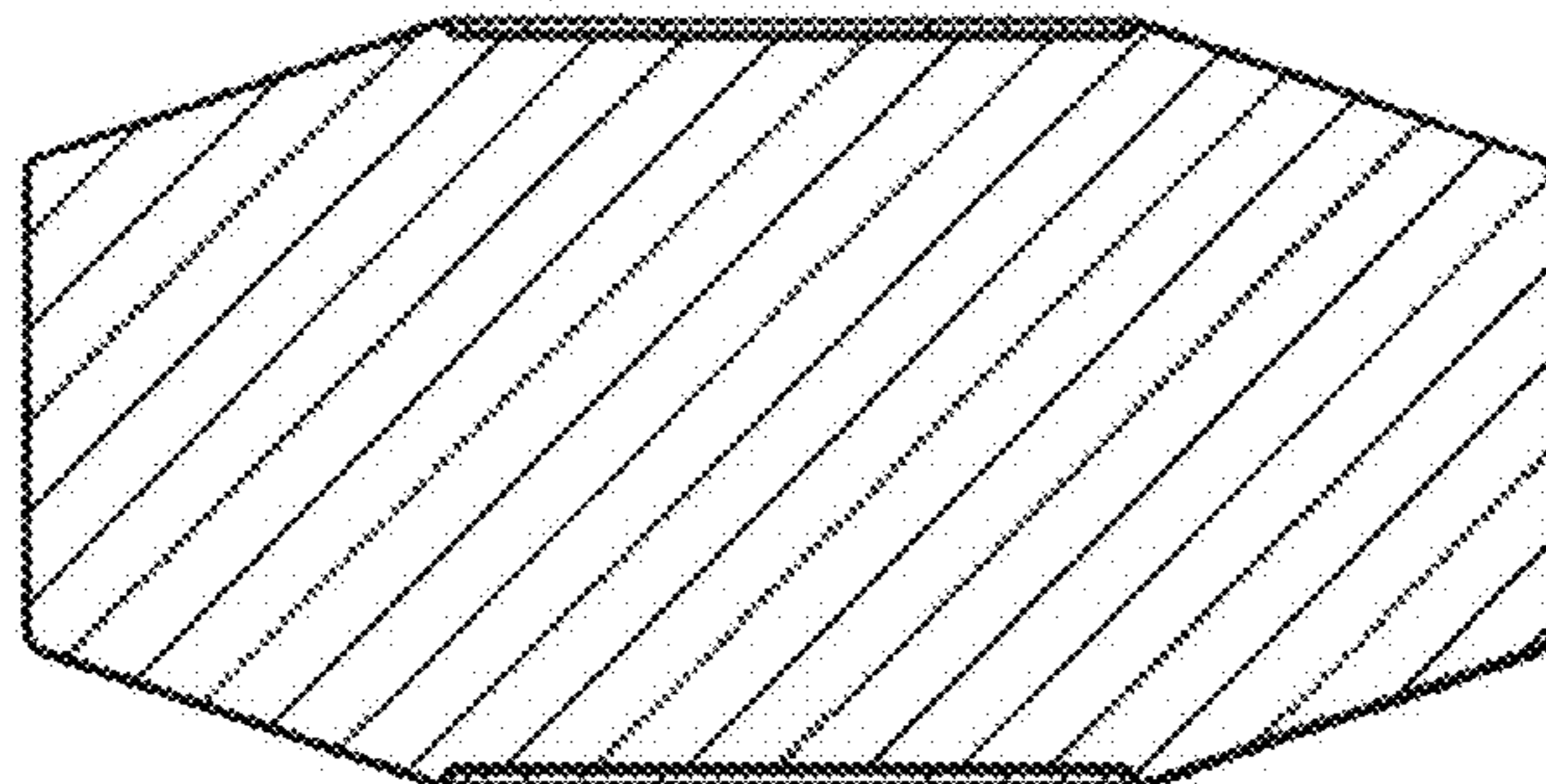


FIG. 31

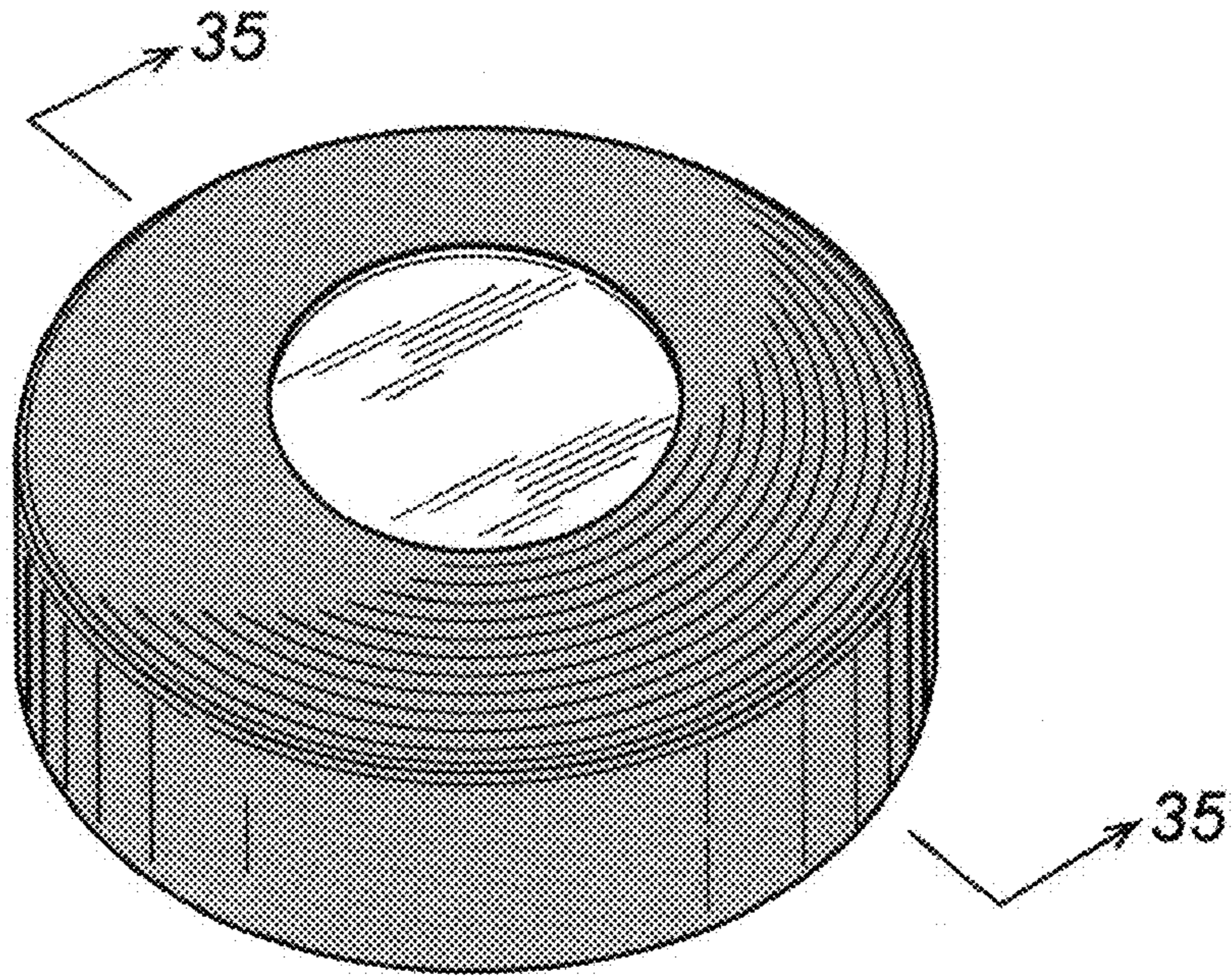


FIG. 32

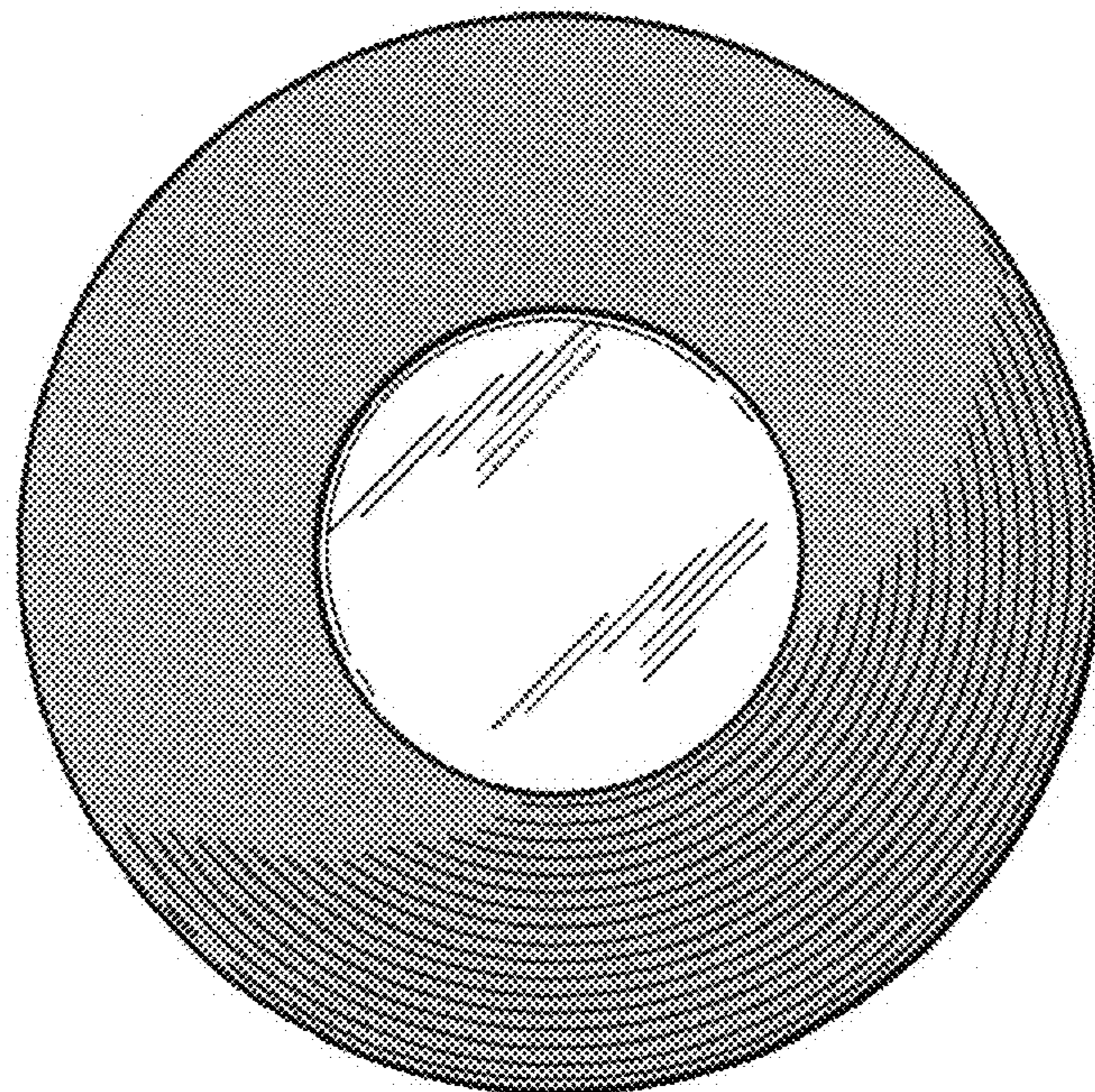


FIG. 33

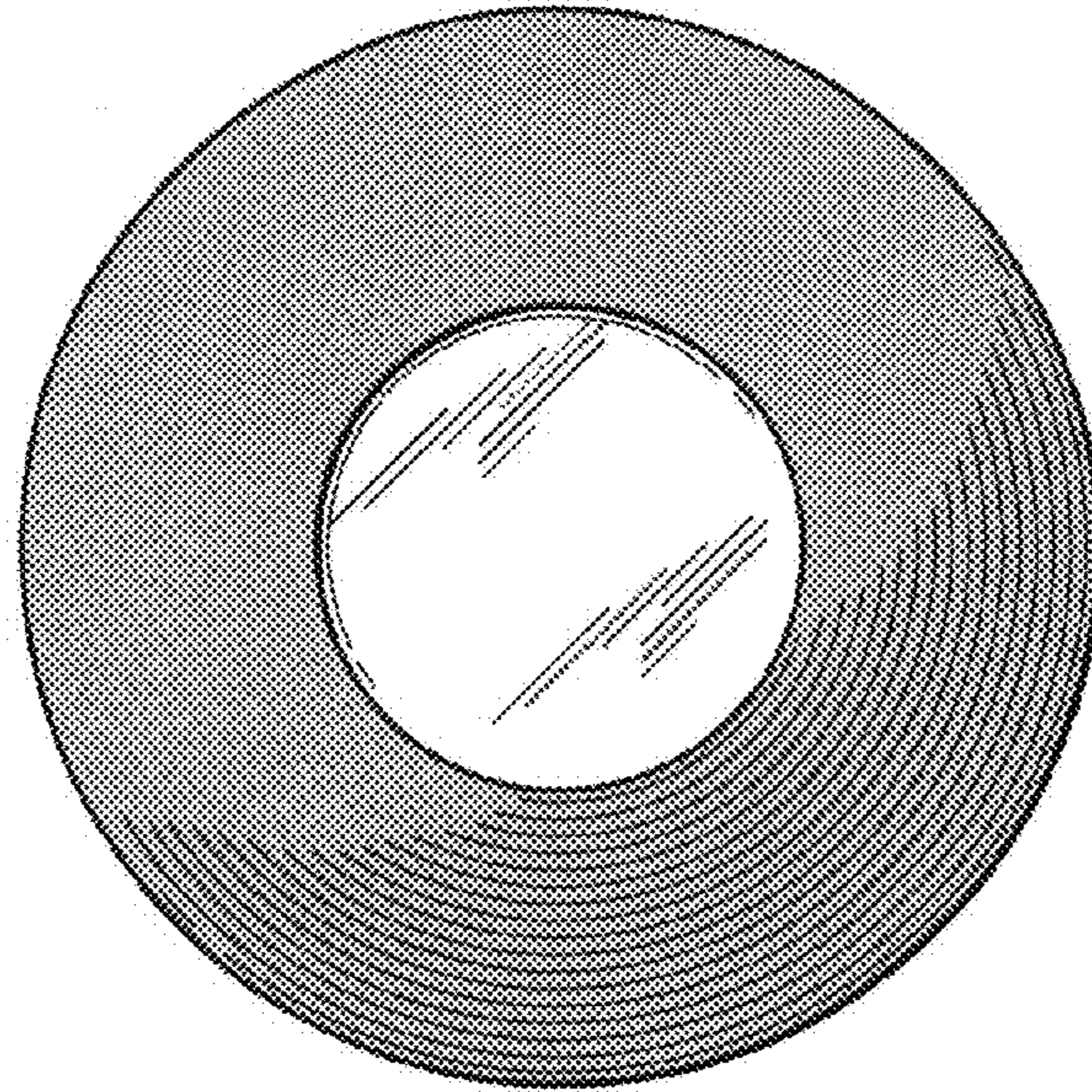


FIG. 34

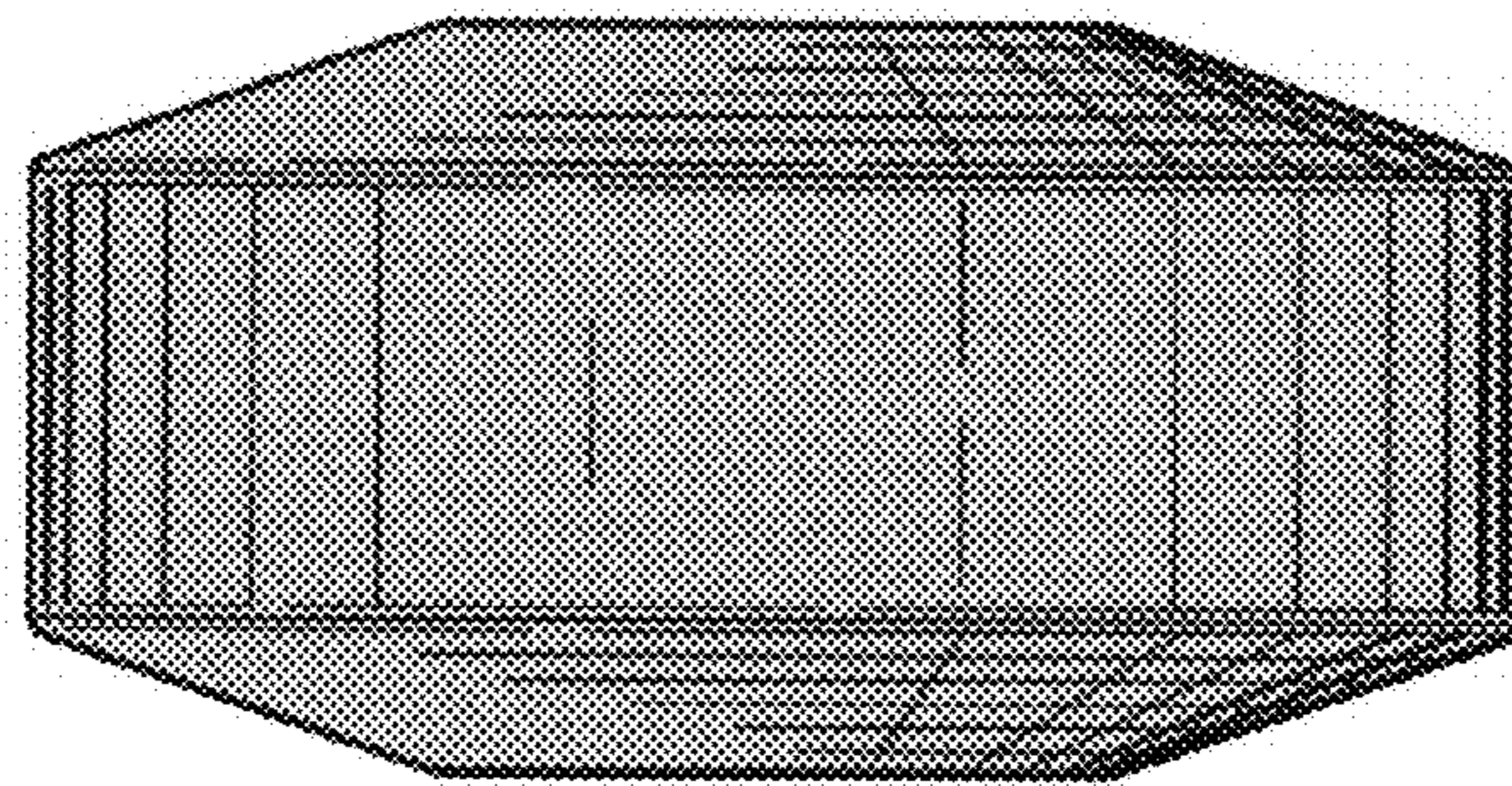


FIG. 35

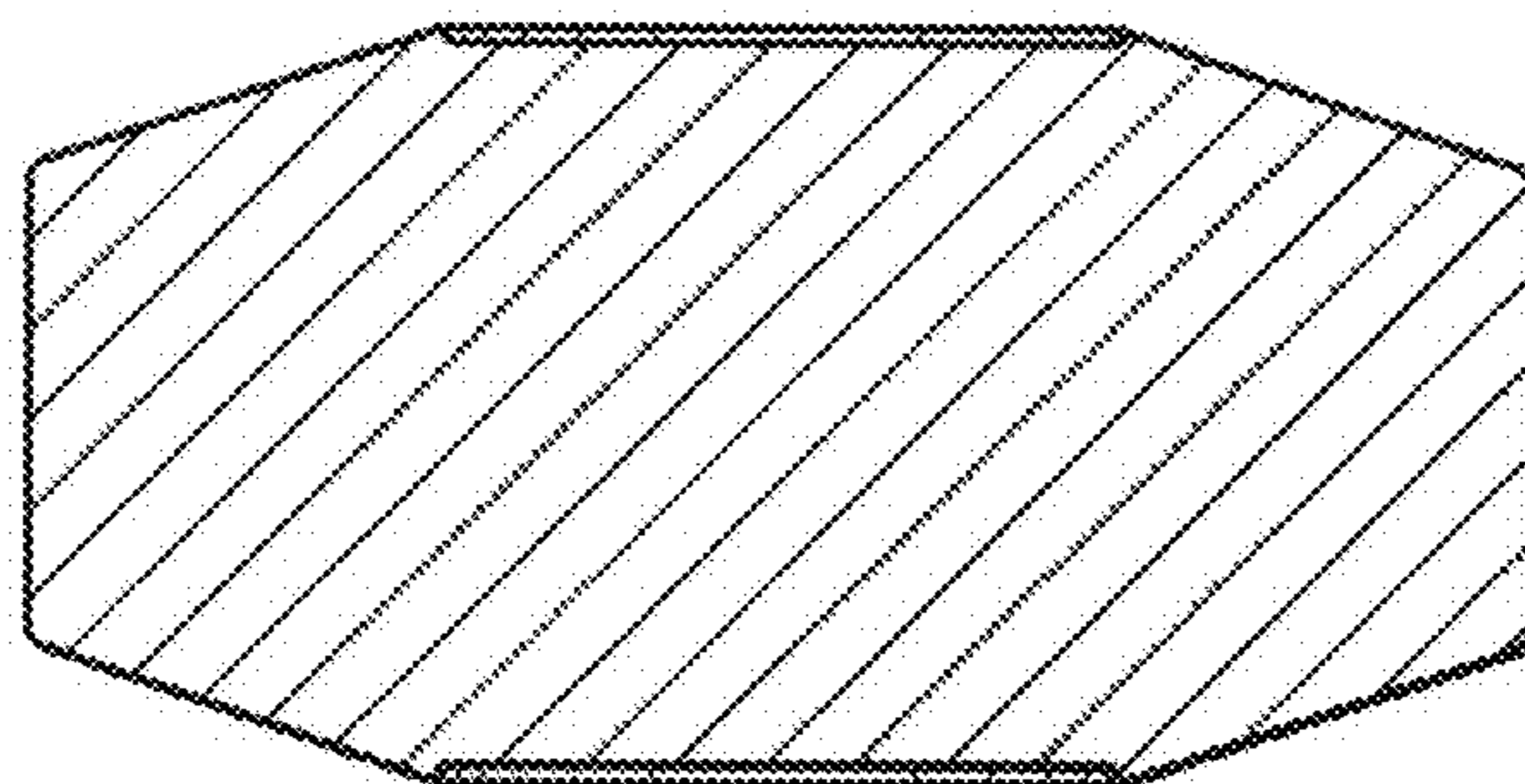


FIG. 36

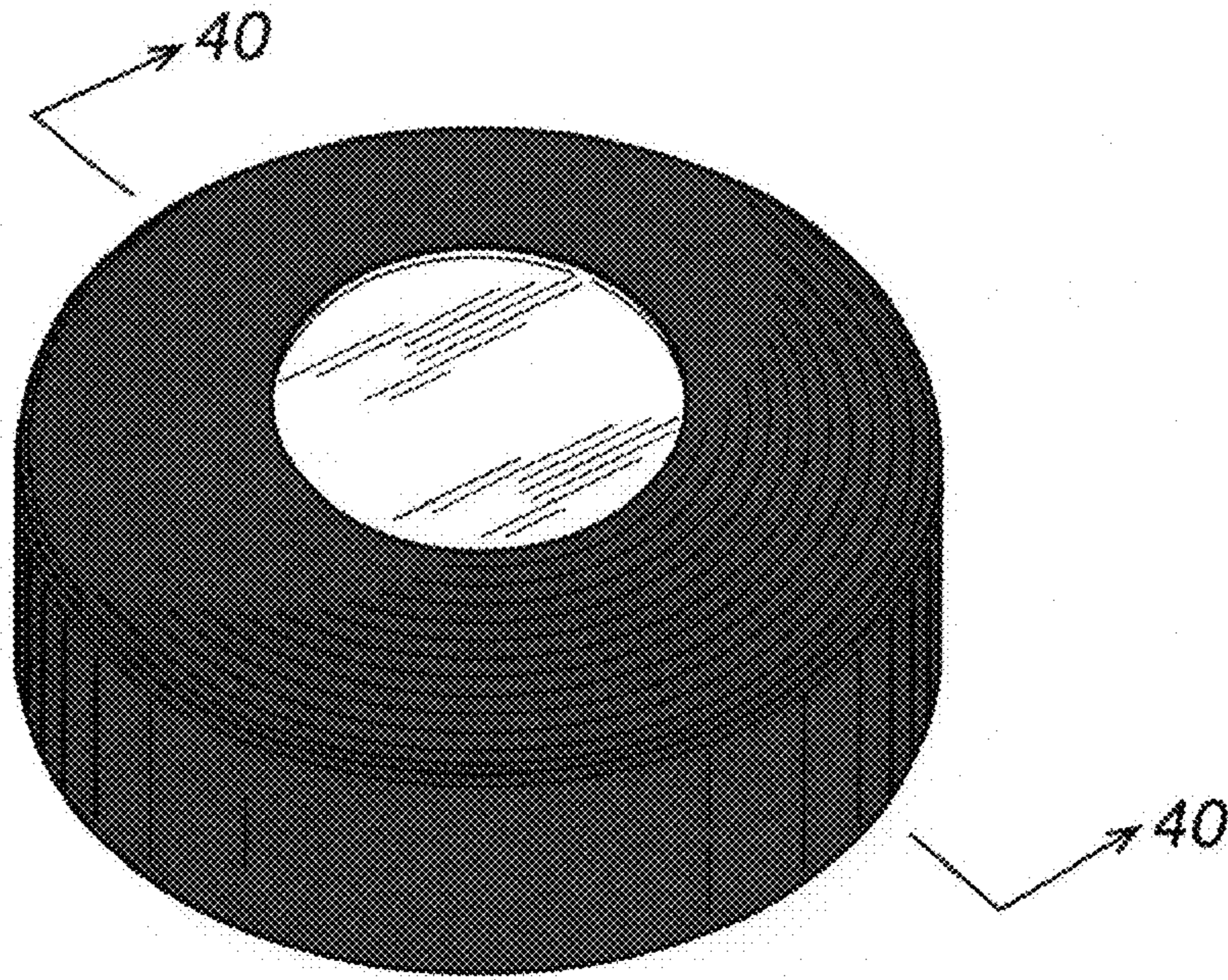


FIG. 37

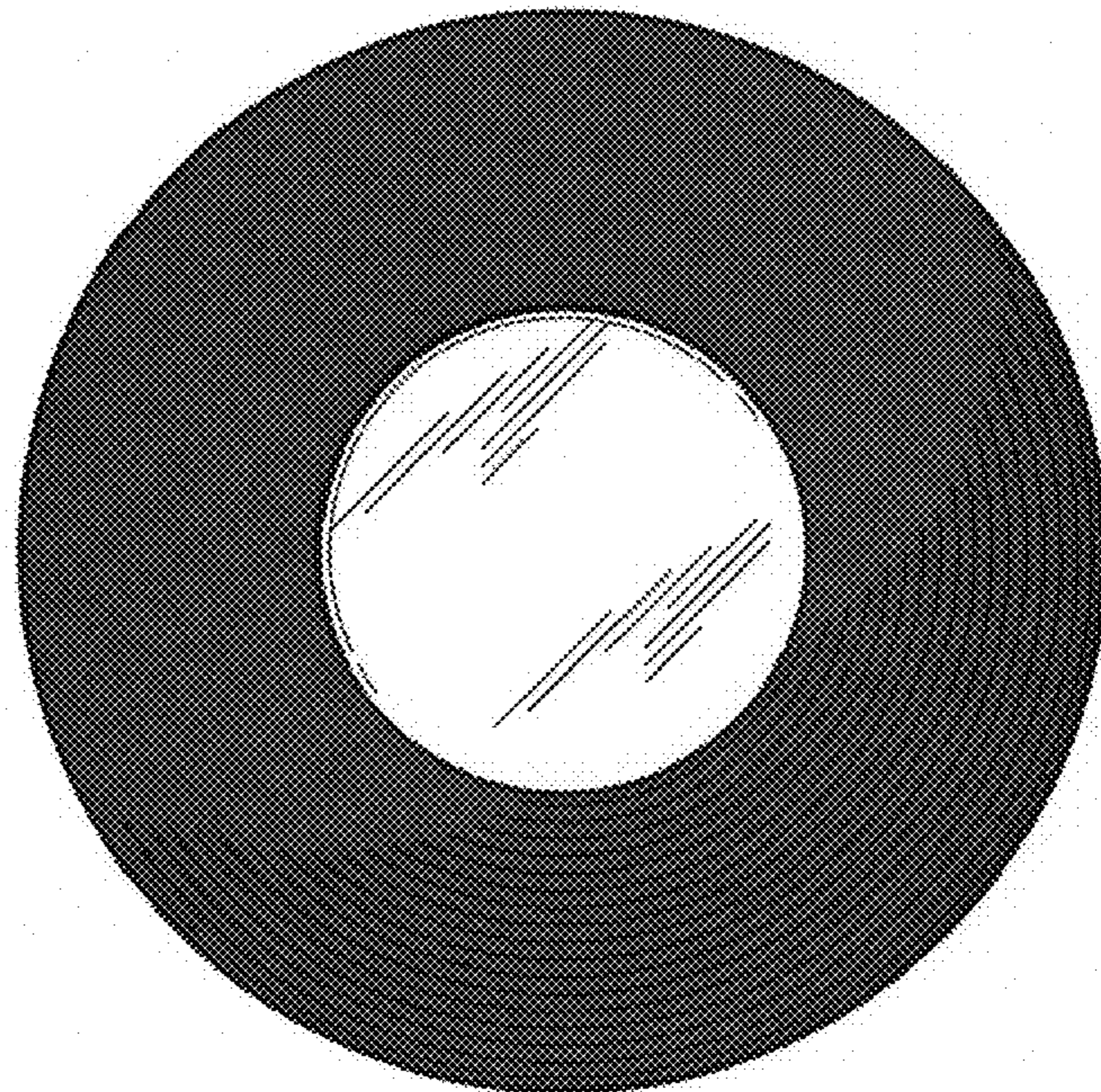


FIG. 38

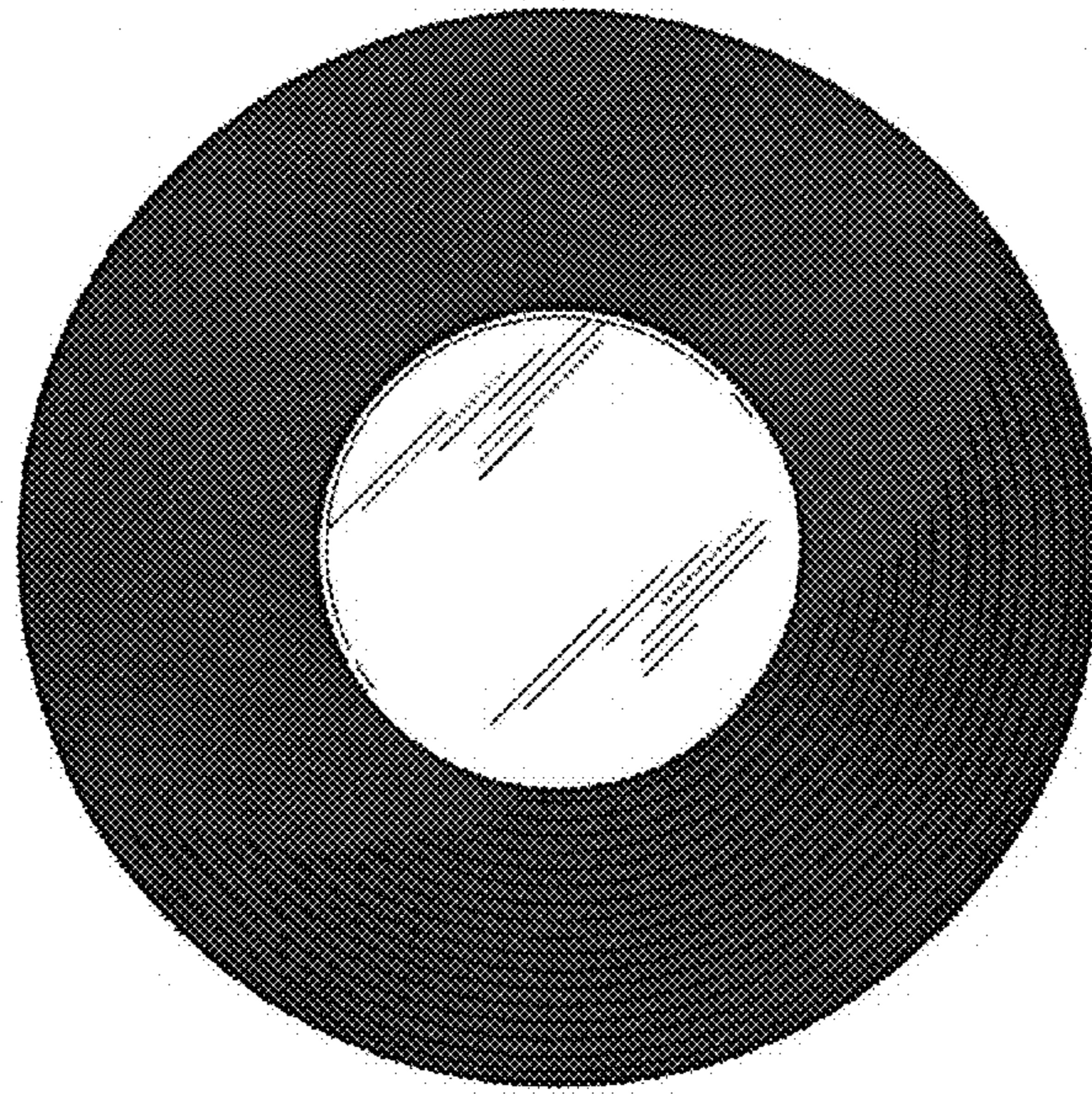


FIG. 39

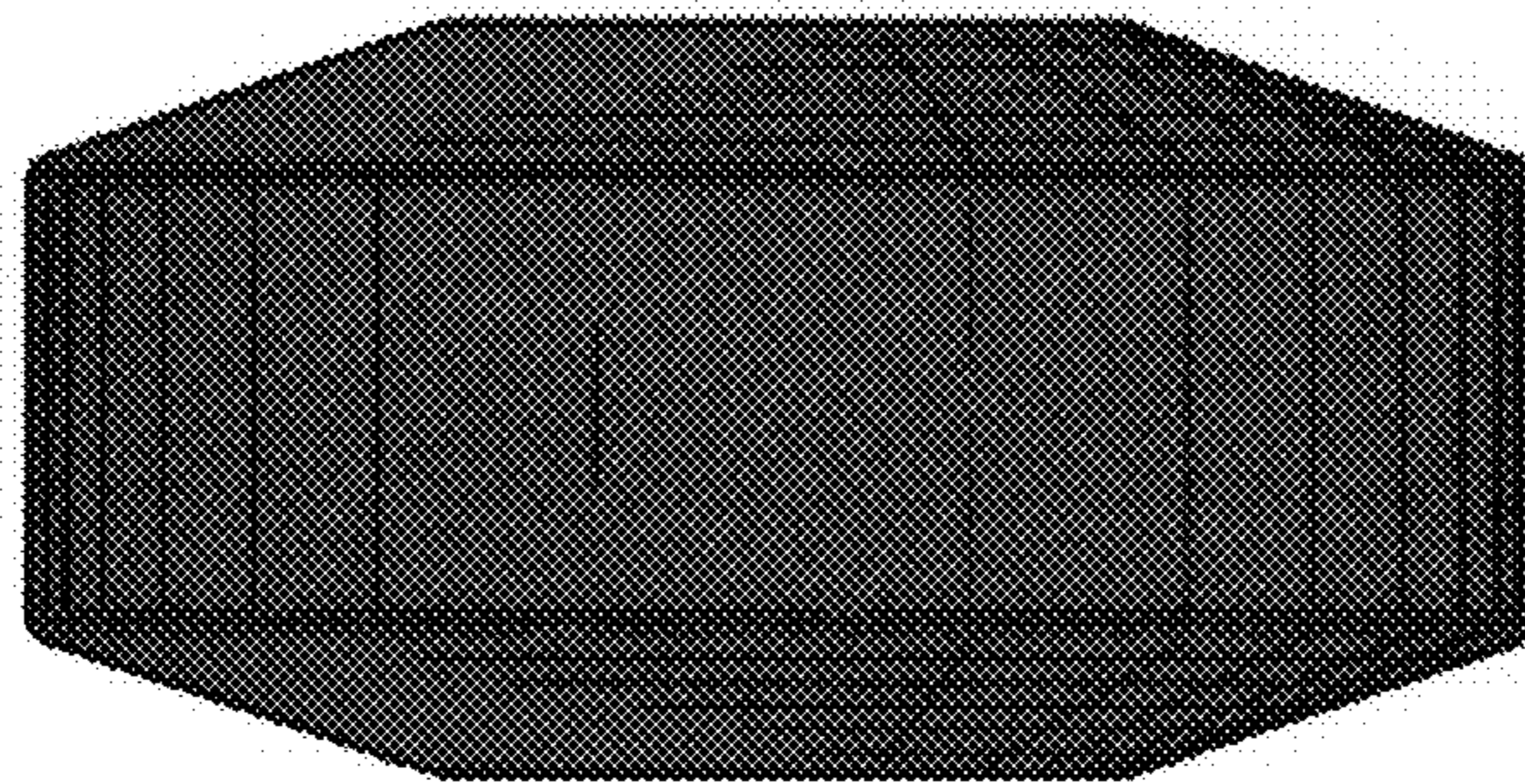


FIG. 40

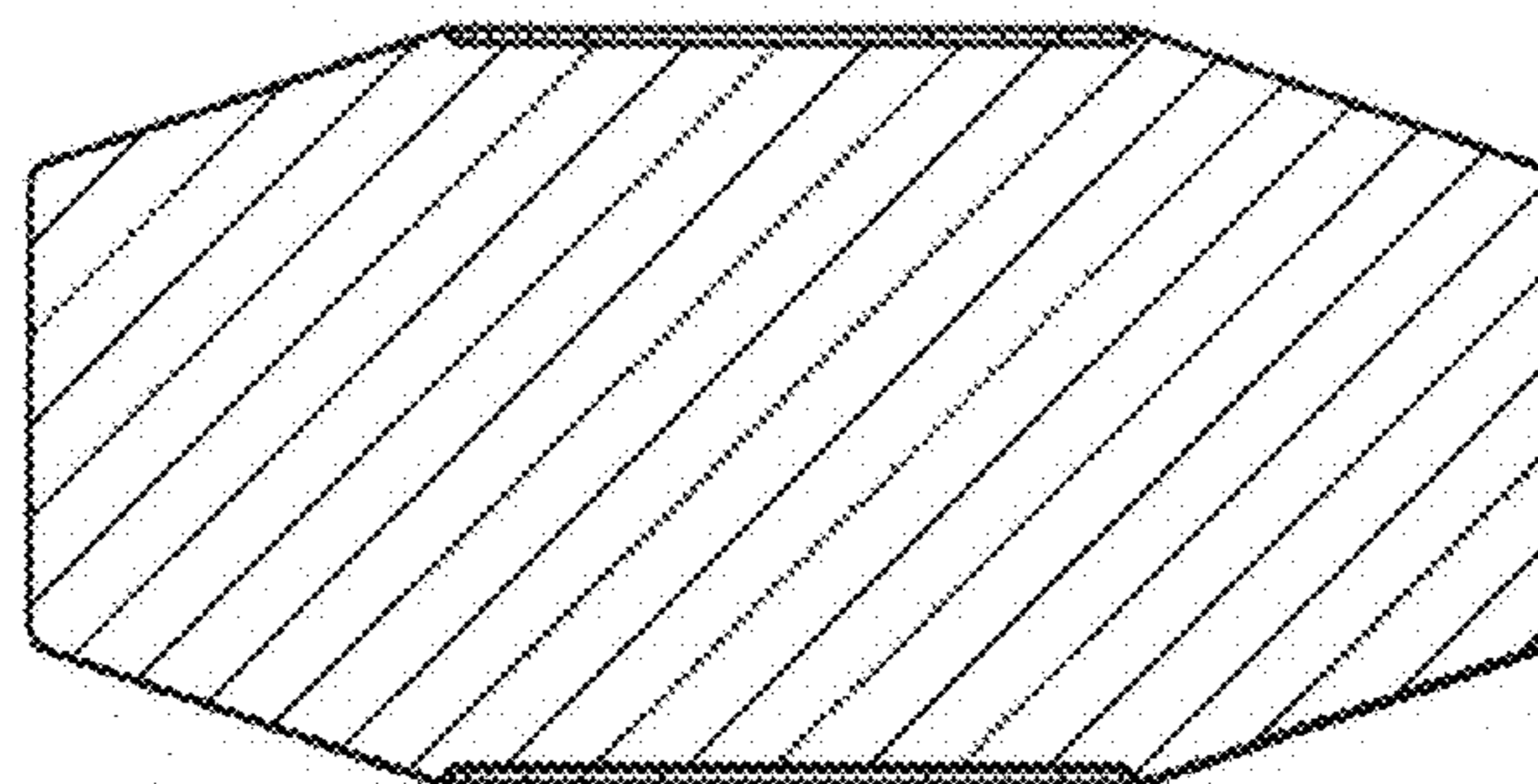


FIG. 41

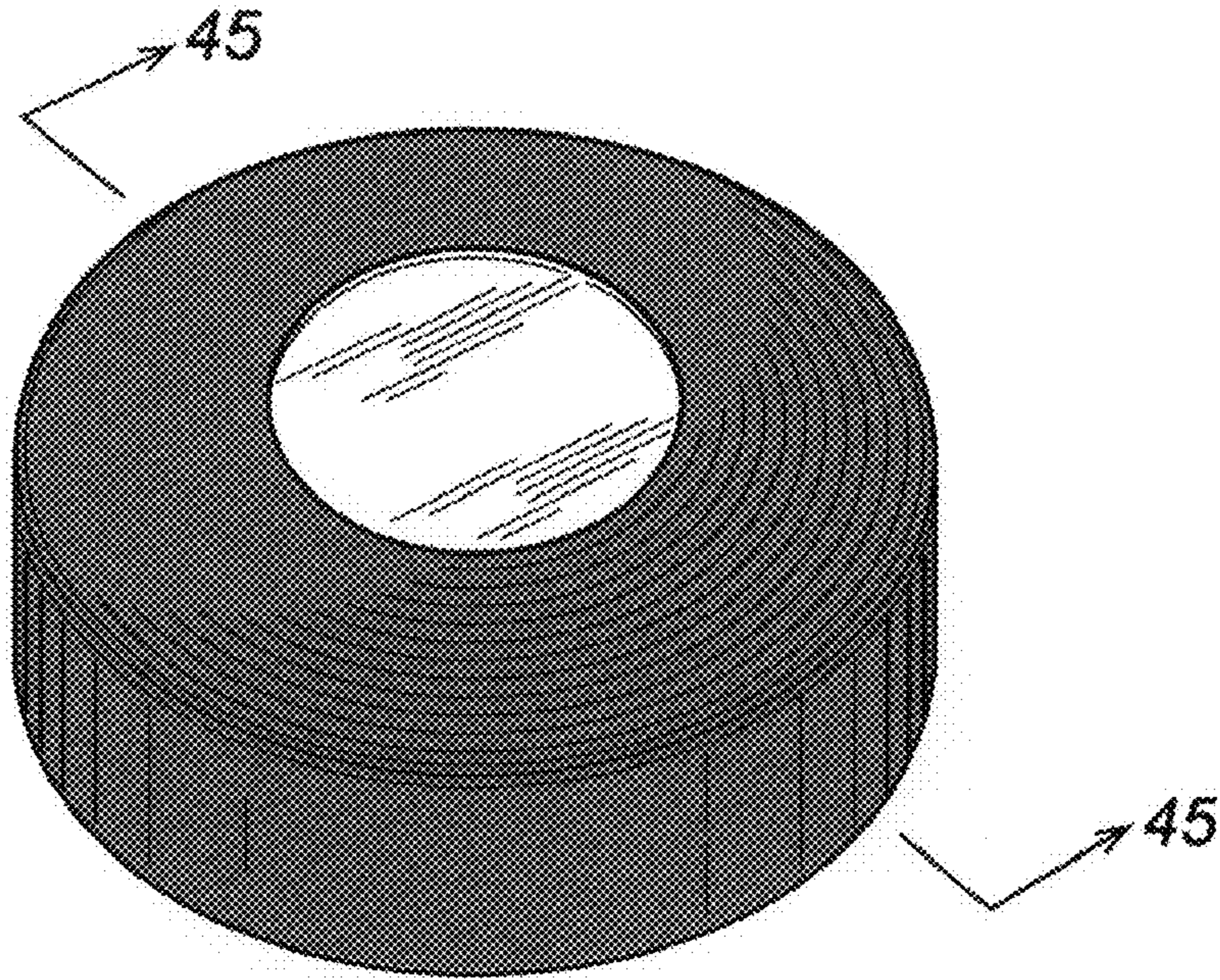


FIG. 42

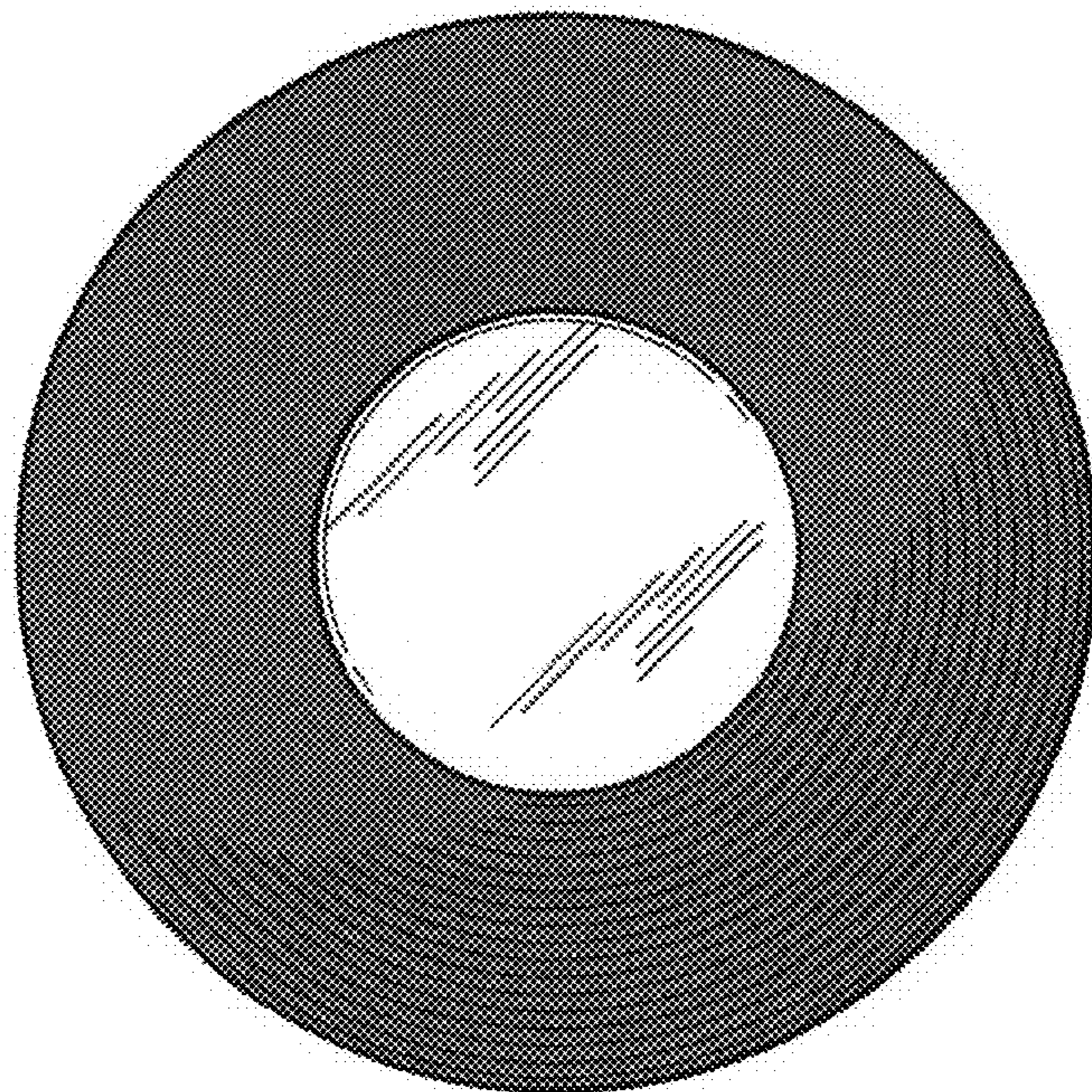


FIG. 43

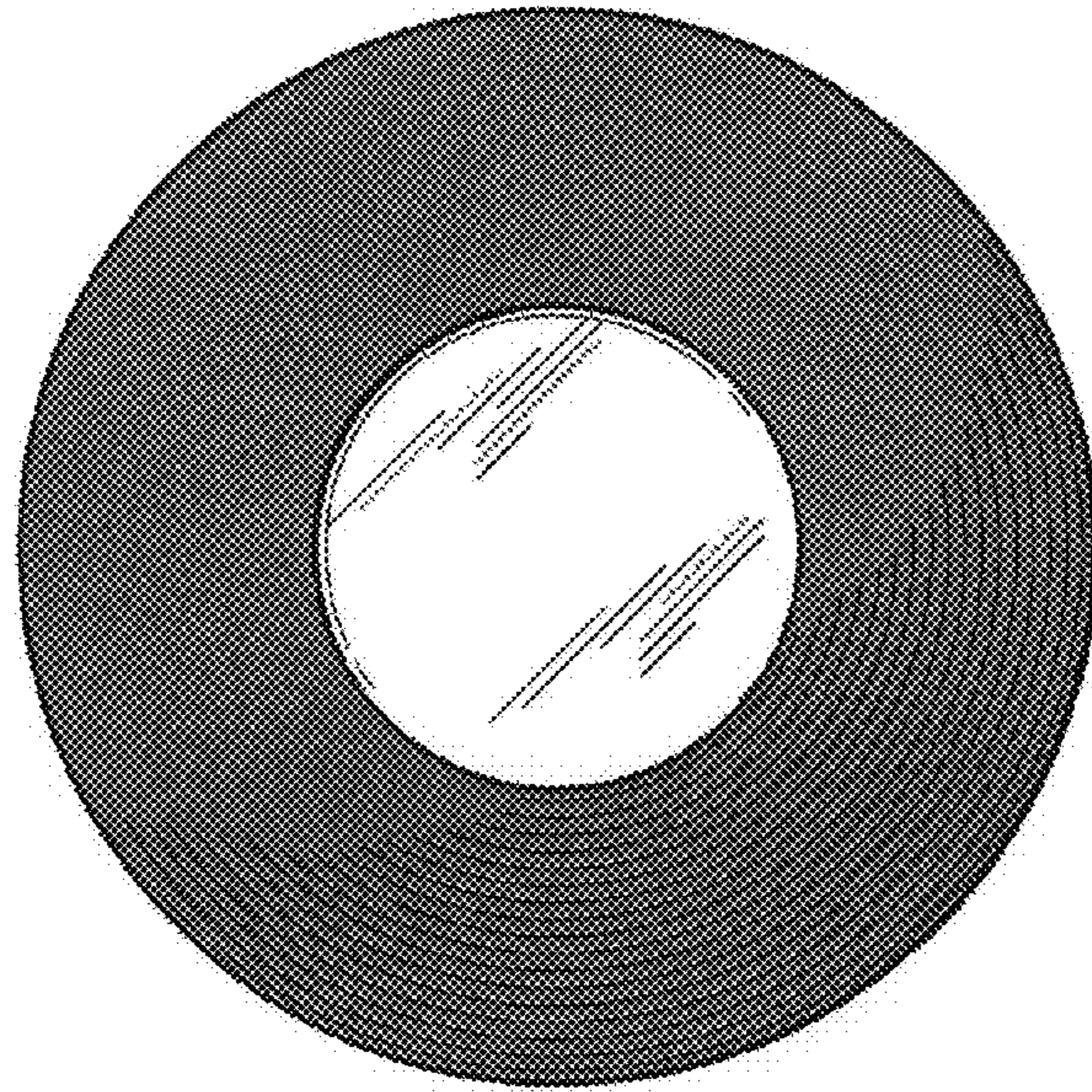


FIG. 44

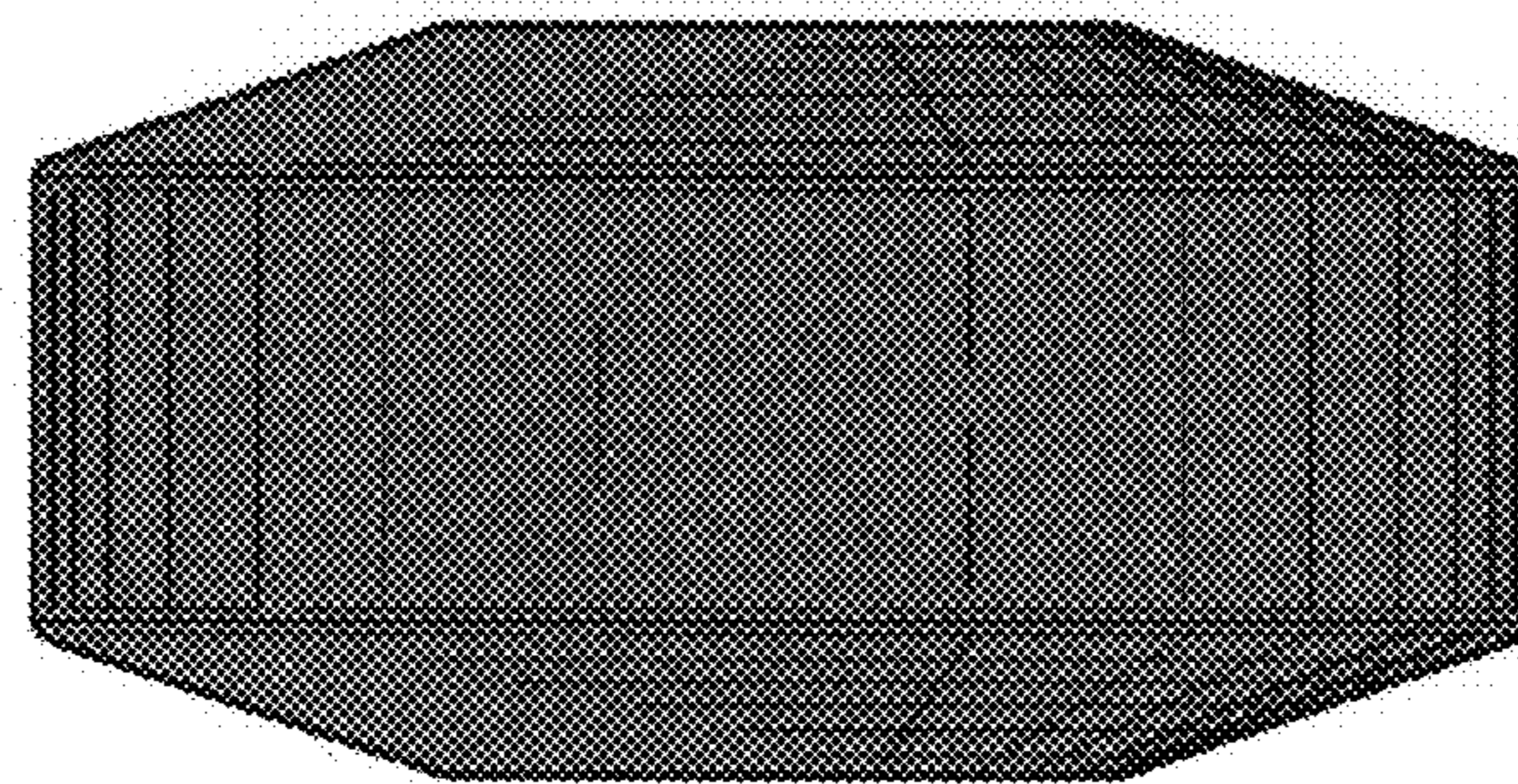


FIG. 45

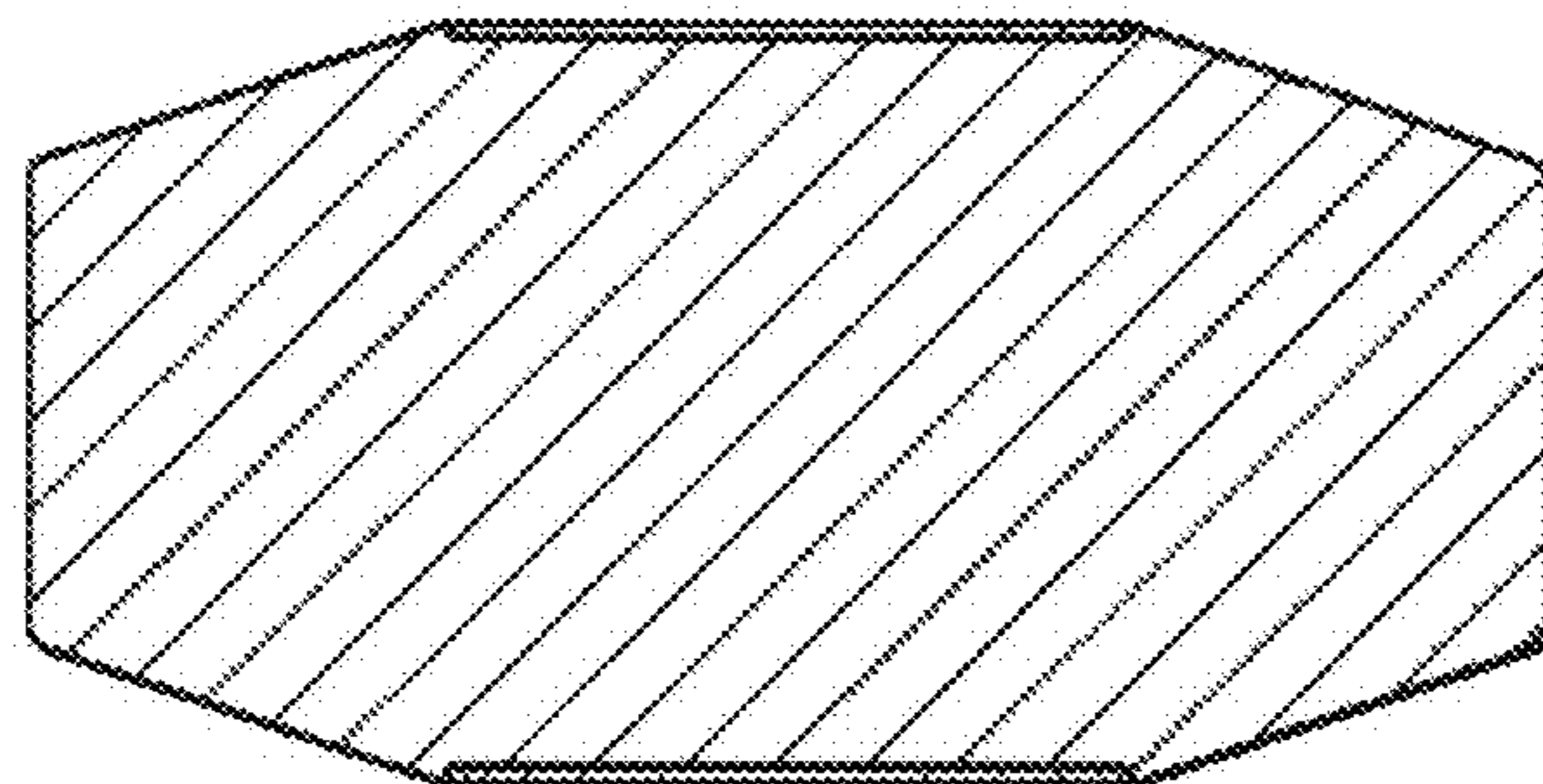


FIG. 46

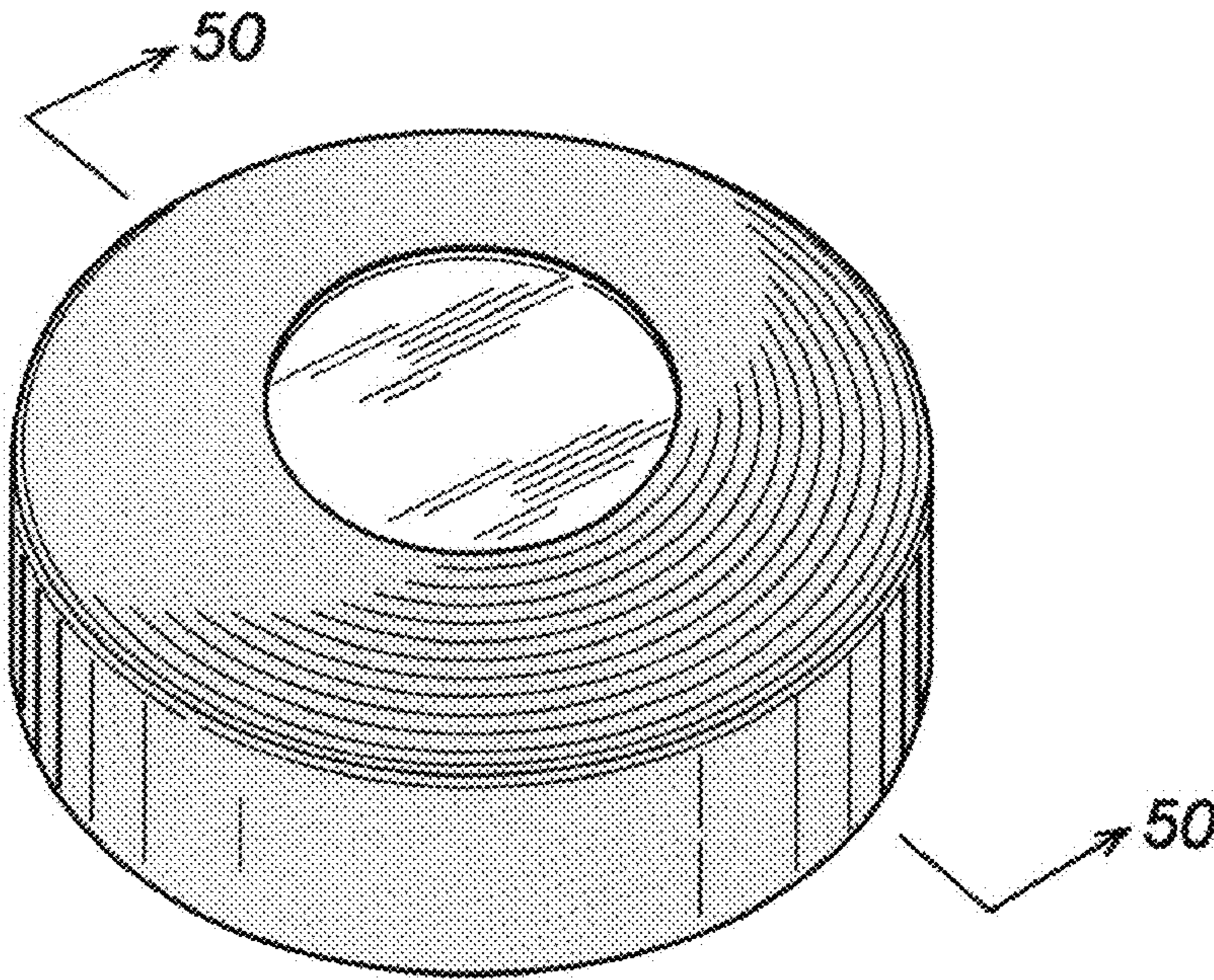


FIG. 47

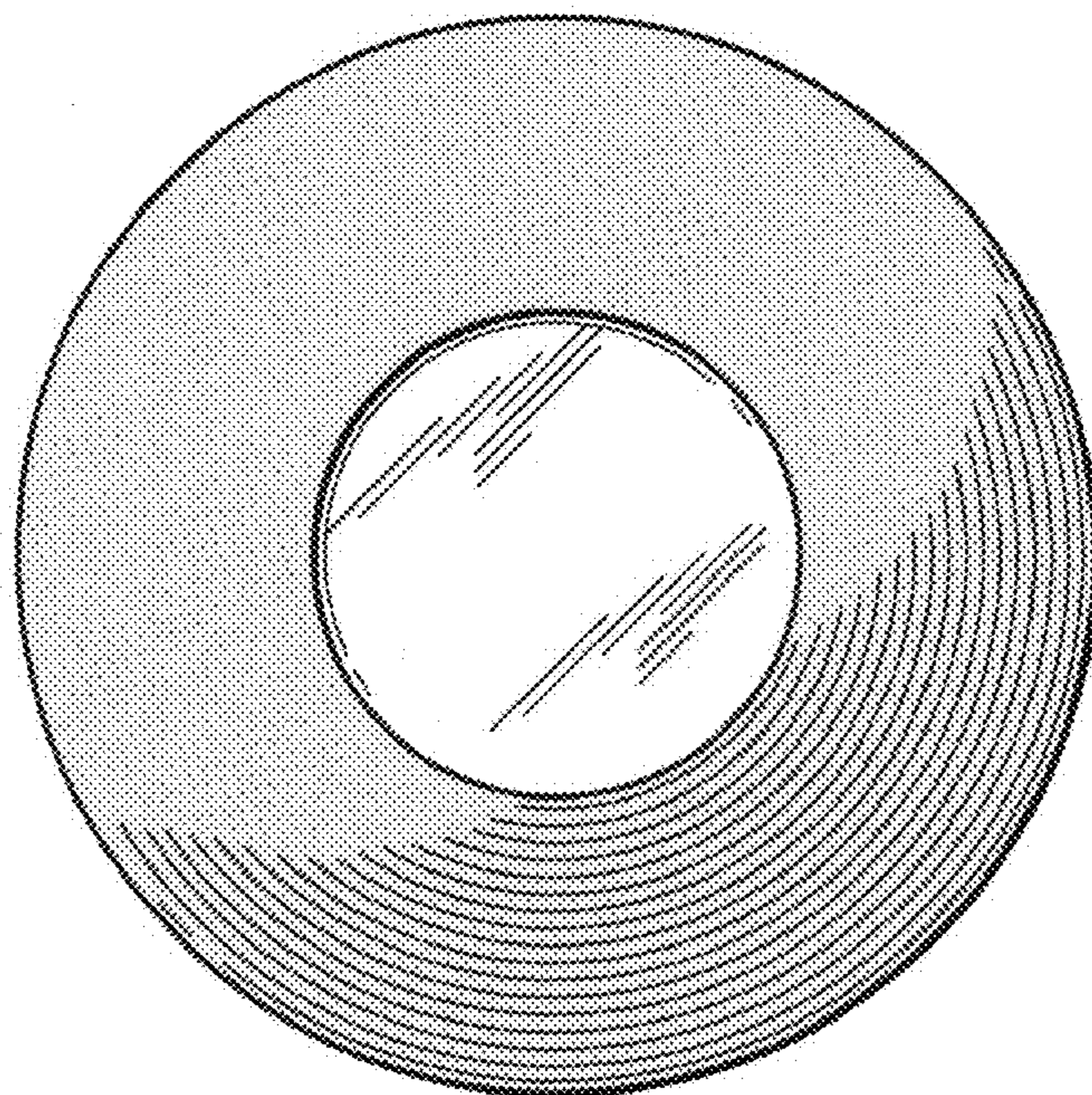


FIG. 48

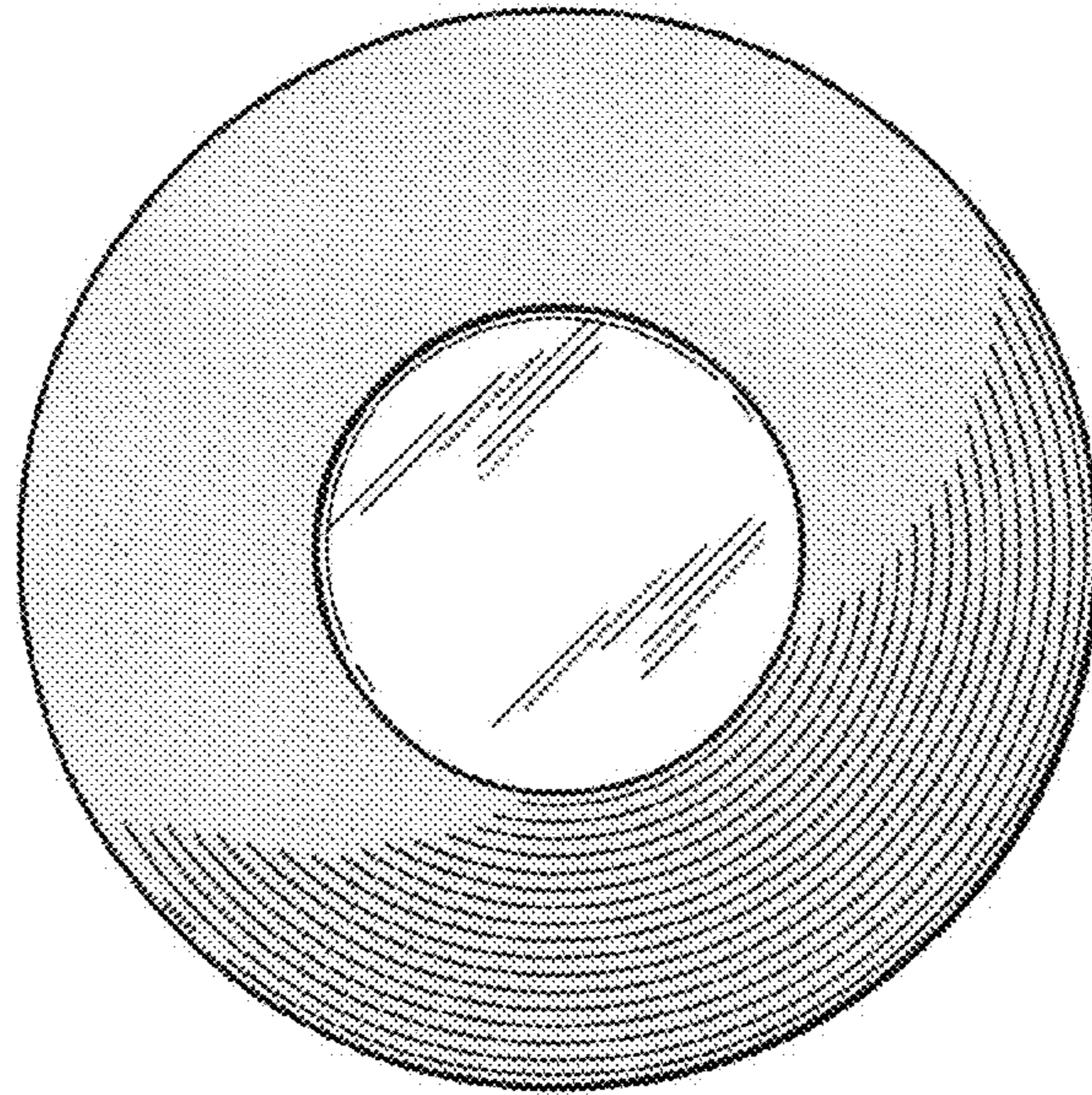


FIG. 49

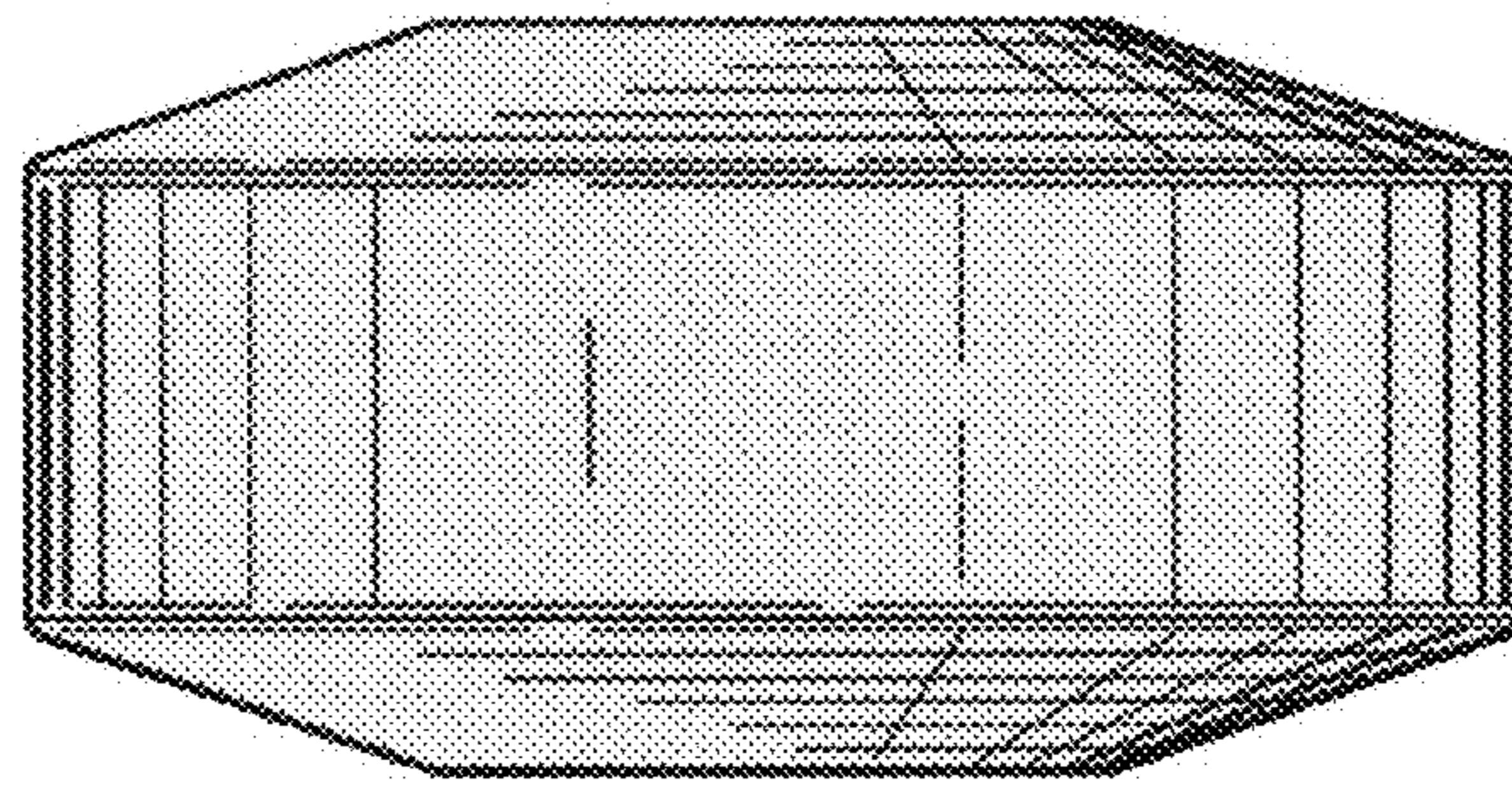


FIG. 50

