

US00D601687S

(12) **United States Design Patent**  
**Chan**

(10) **Patent No.:** **US D601,687 S**  
(45) **Date of Patent:** **\*\* Oct. 6, 2009**

(54) **AIR CLEANER**

D578,627 S \* 10/2008 Gao ..... D23/332

(75) Inventor: **Sik Leung Chan**, Tsuen Wan (HK)

\* cited by examiner

(73) Assignee: **C.C. & L Company Limited**, Tsuen Wan, N.T. (HK)

*Primary Examiner*—T. Chase Nelson

*Assistant Examiner*—David G Muller

(\*\*) Term: **14 Years**

(74) *Attorney, Agent, or Firm*—Daniel P. Burke & Assocs. PLLC

(21) Appl. No.: **29/314,284**

(57) **CLAIM**

(22) Filed: **Mar. 19, 2009**

The ornamental design for an air cleaner, as shown and described.

(30) **Foreign Application Priority Data**

**DESCRIPTION**

Feb. 25, 2009 (HK) ..... 0900297

FIG. 1 is a front, top perspective view of an air cleaner showing my new design;

(51) **LOC (9) Cl.** ..... **23-04**

FIG. 2 is a rear, top perspective view thereof;

(52) **U.S. Cl.** ..... **D23/364**

FIG. 3 is a front view thereof, the rear view being identical;

(58) **Field of Classification Search** ..... D23/364,  
D23/355, 356, 359, 360, 366, 369, 332, 333,  
D23/335, 342, 351; 422/120, 122; 55/356,  
55/473, 504; 96/97; D14/356, 473, 504;  
261/DIG. 17, DIG. 65, DIG. 88, DIG. 31;  
D18/34.6

FIG. 4 is a partial cross-sectional view of the air cleaner of FIG. 1 taken along lines 4—4 of FIG. 3;

See application file for complete search history.

FIG. 5 is a front view of the air cleaner of FIG. 1 with a broken line disclosure of internal components, including two fans;

(56) **References Cited**

**U.S. PATENT DOCUMENTS**

D319,498 S \* 8/1991 Huang ..... D23/335  
D340,971 S \* 11/1993 Pirro ..... D23/335  
D343,230 S \* 1/1994 Lim ..... D23/335  
D343,676 S \* 1/1994 Lim ..... D23/335  
D354,803 S \* 1/1995 Huang ..... D23/335  
D358,636 S \* 5/1995 Bucher et al. .... D23/335  
D510,618 S \* 10/2005 Dooley ..... D23/335  
D510,988 S \* 10/2005 Blateri ..... D23/335  
D518,160 S \* 3/2006 Normark ..... D23/366  
D532,880 S \* 11/2006 Ching ..... D23/335  
D548,315 S \* 8/2007 Lin ..... D23/364  
D570,464 S \* 6/2008 Normark ..... D23/364

FIG. 6 is a right side view of the air cleaner of FIG. 1. The left side is identical;

FIG. 7 is a top view of the air cleaner of FIG. 1;

FIG. 8 is a bottom view of the air cleaner of FIG. 1;

FIG. 9 is a front top perspective view of the air cleaner shown in FIG. 1 with two stands in an extended position and shown in broken lines;

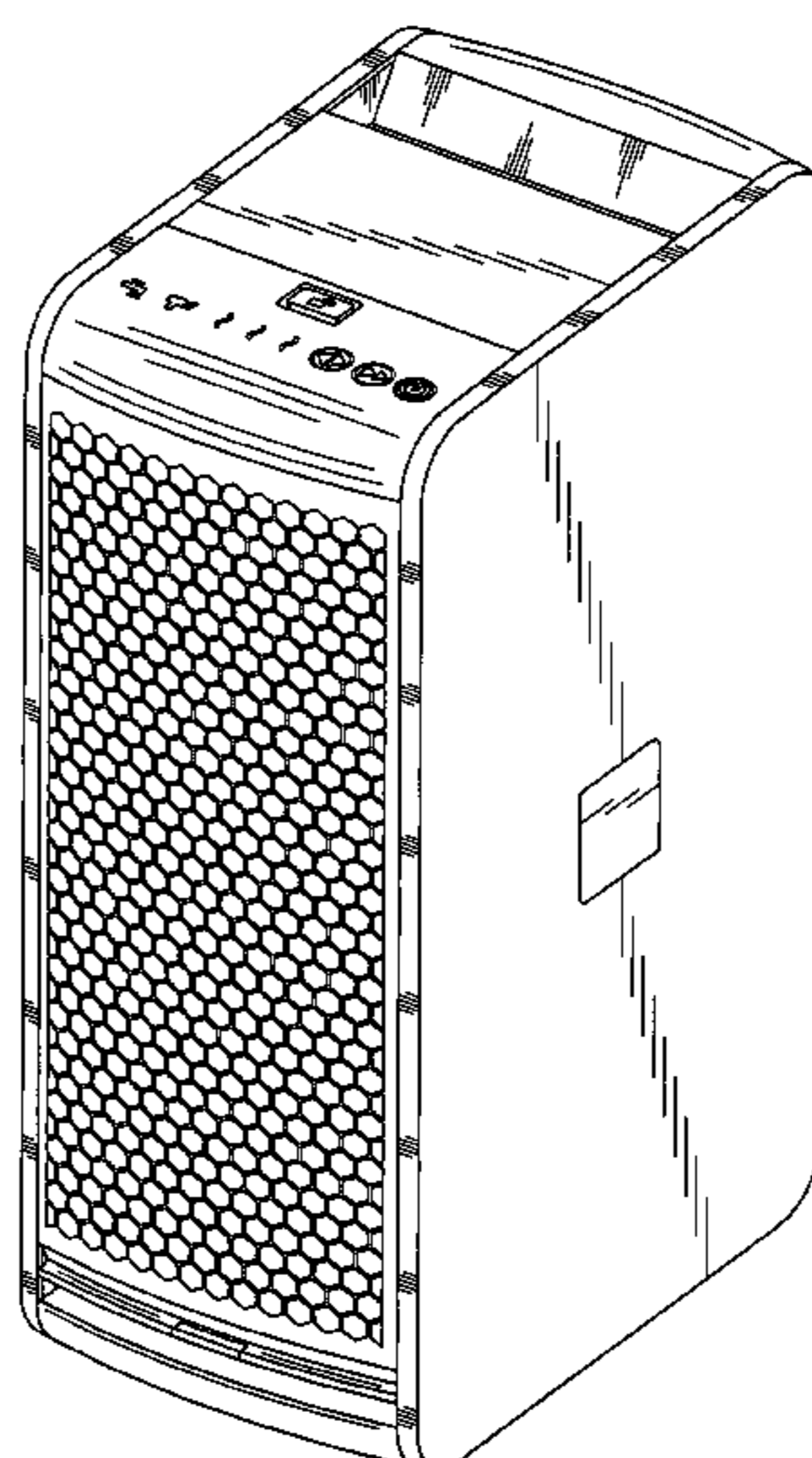
FIG. 10 is a rear, top perspective view thereof

FIG. 11 is a front view thereof; and,

FIG. 12 is a right side view thereof, the left side being a mirror image.

All features shown in broken lines are included for the purpose of illustrating use and environment and form no part of the claimed design.

**1 Claim, 12 Drawing Sheets**



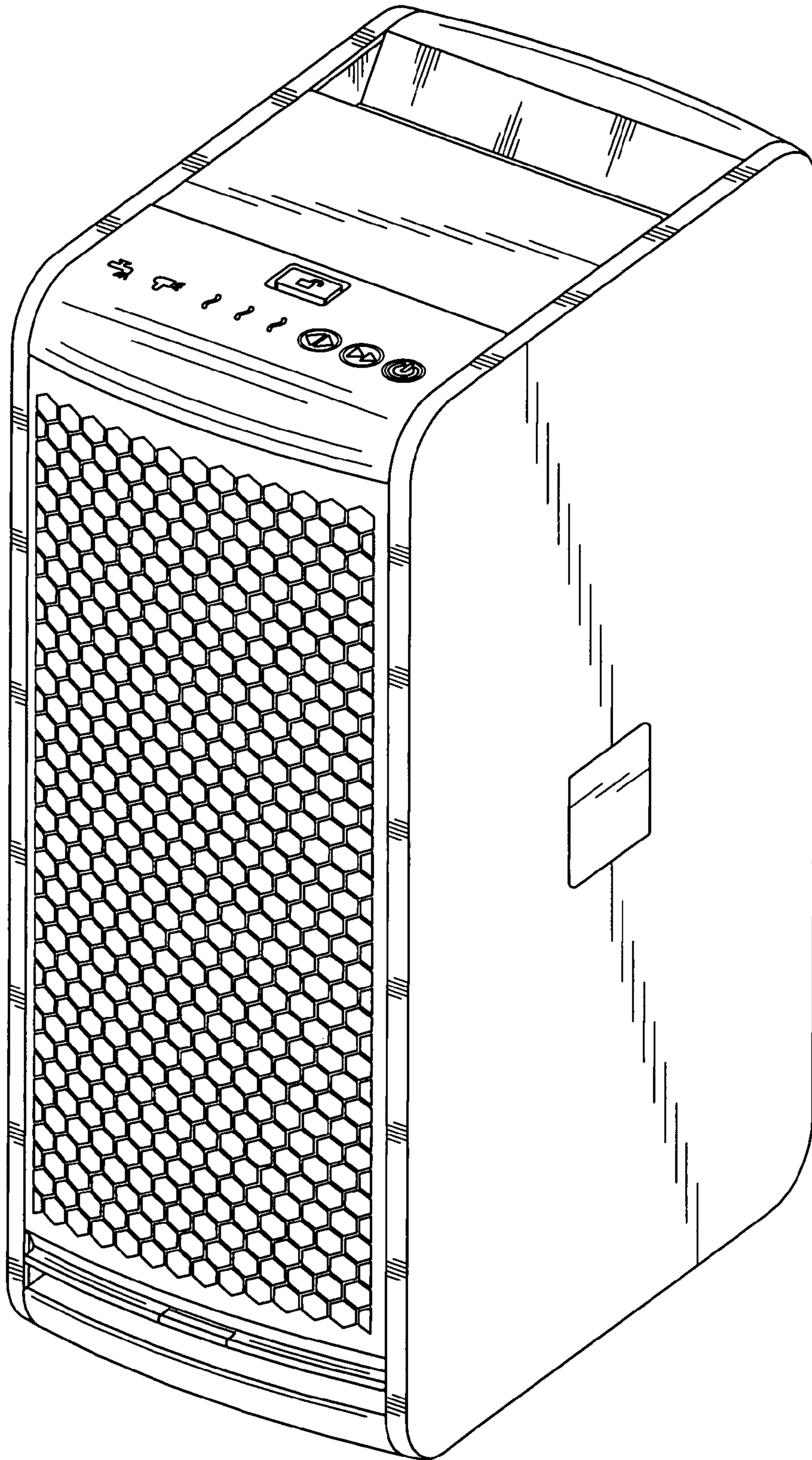


FIG 1

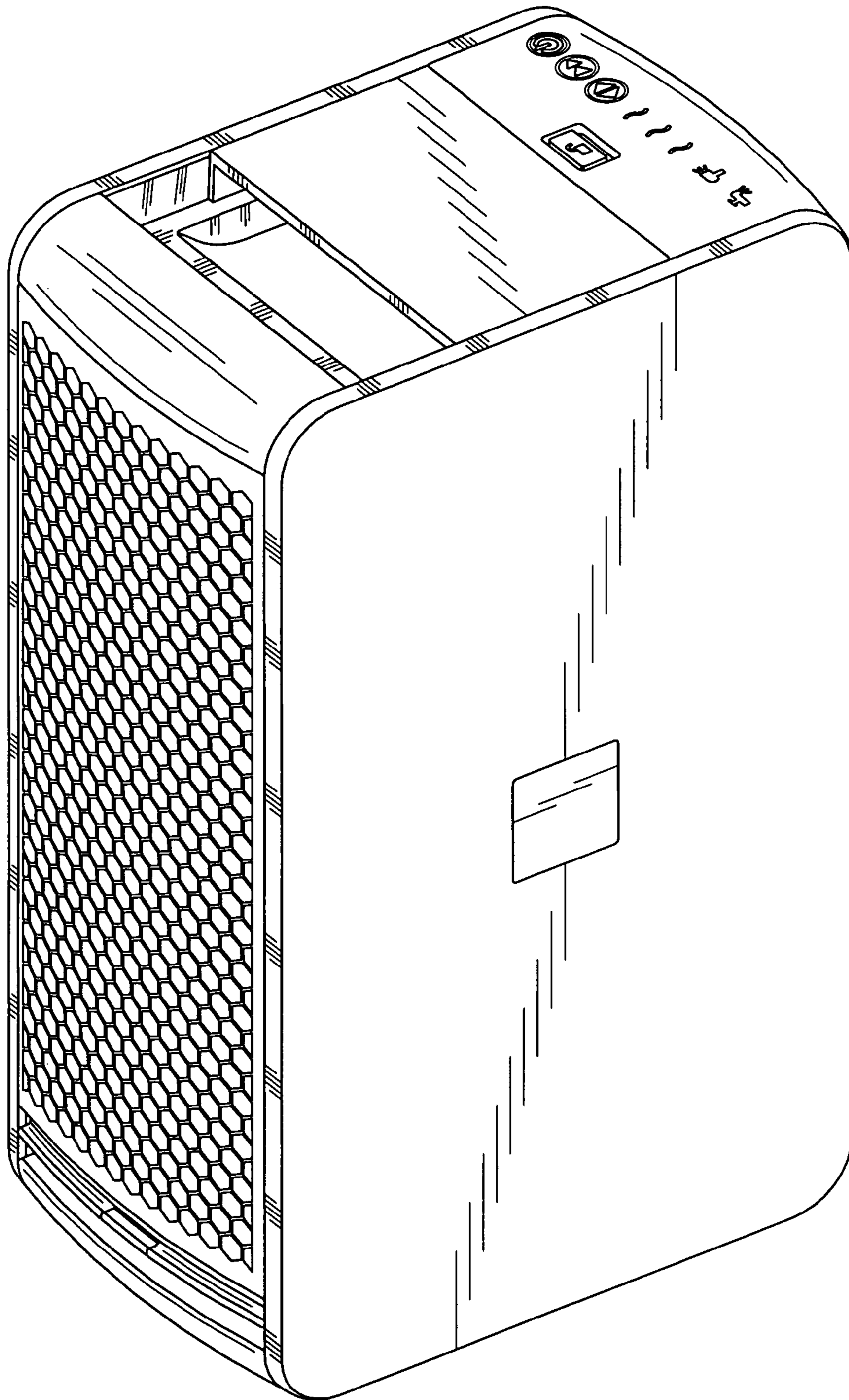


FIG 2

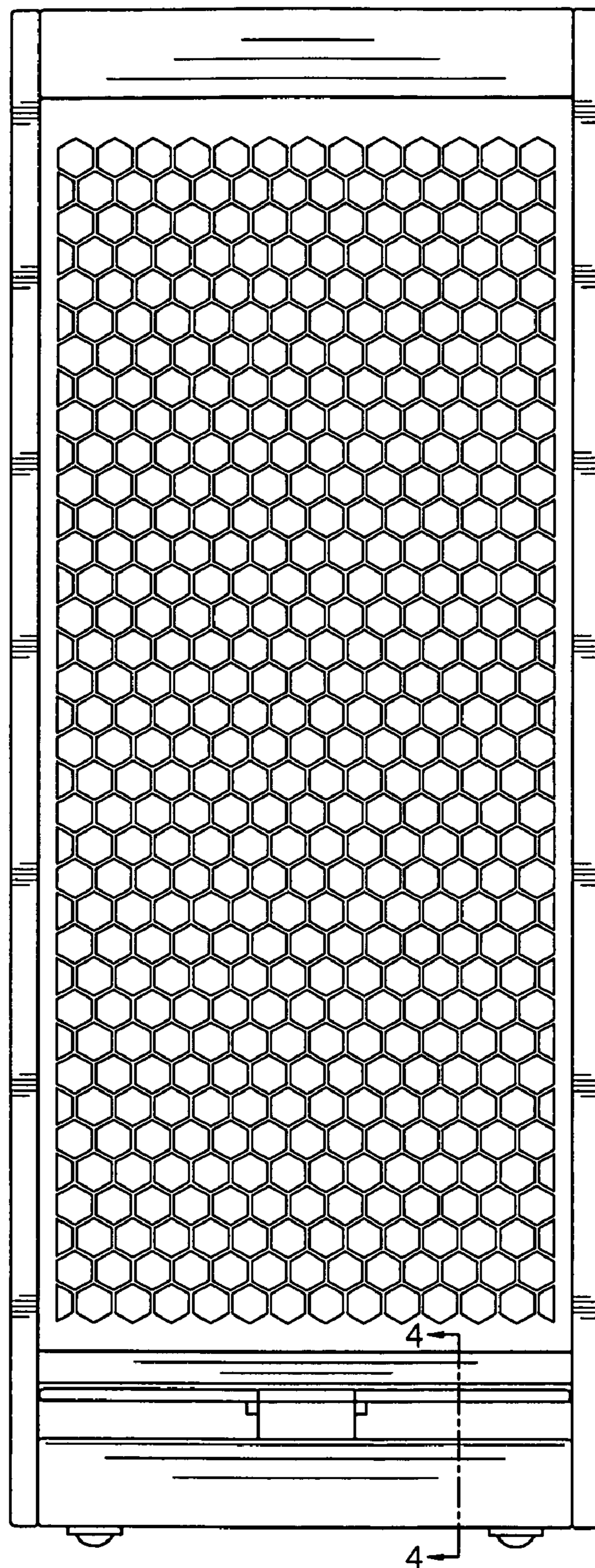


FIG 3

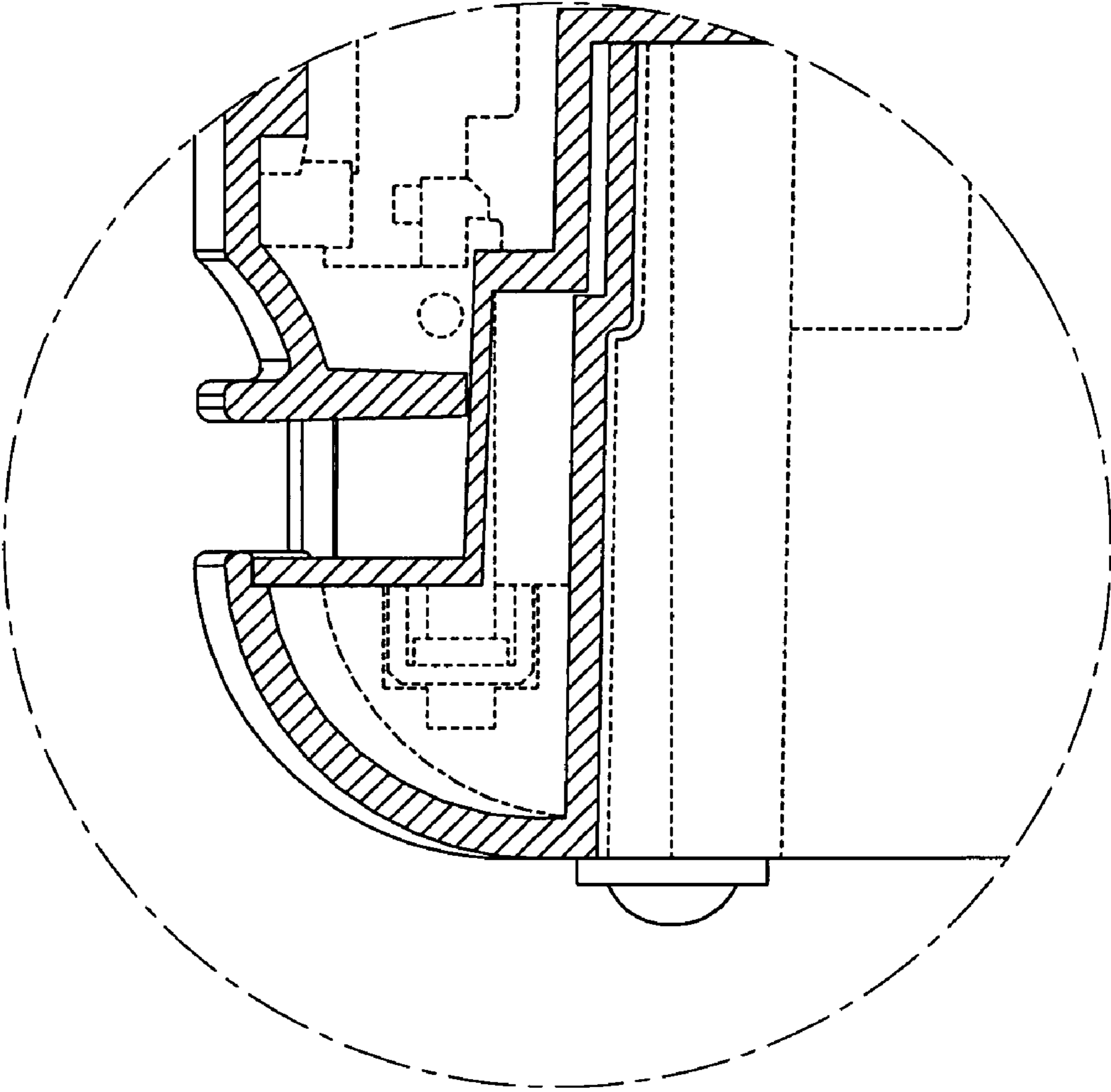


FIG 4

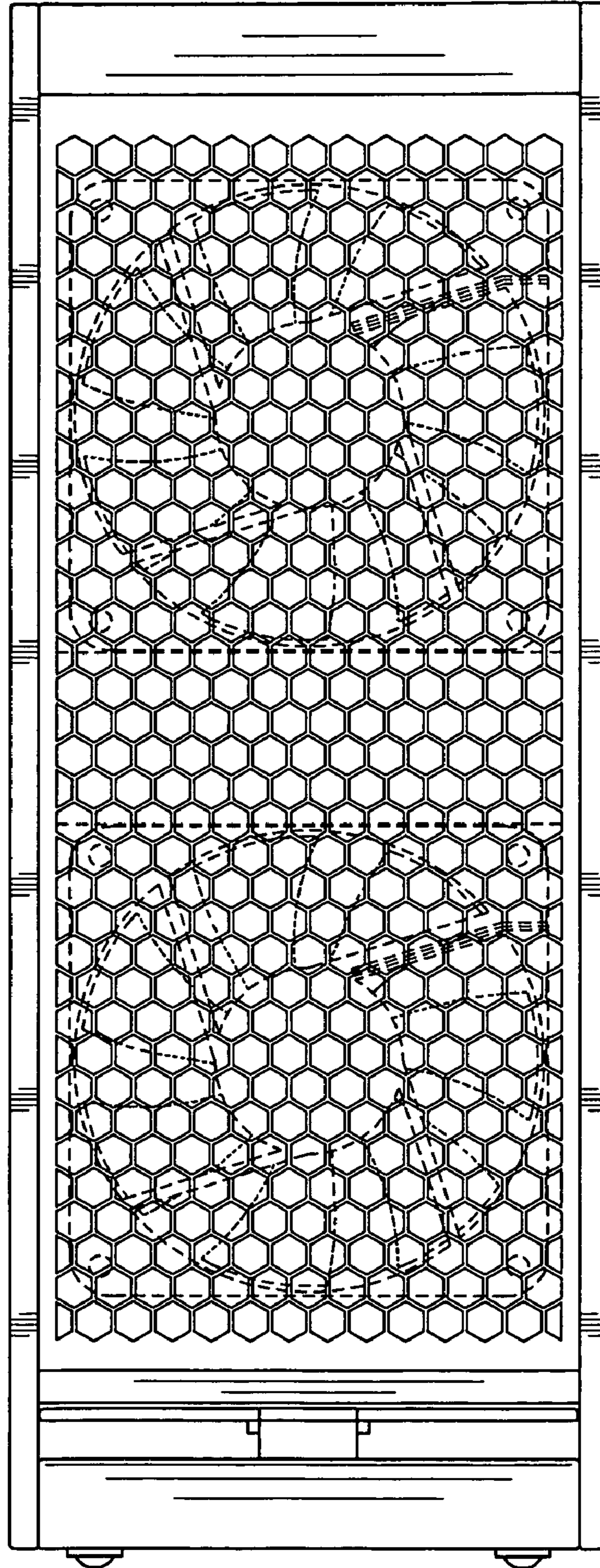


FIG 5

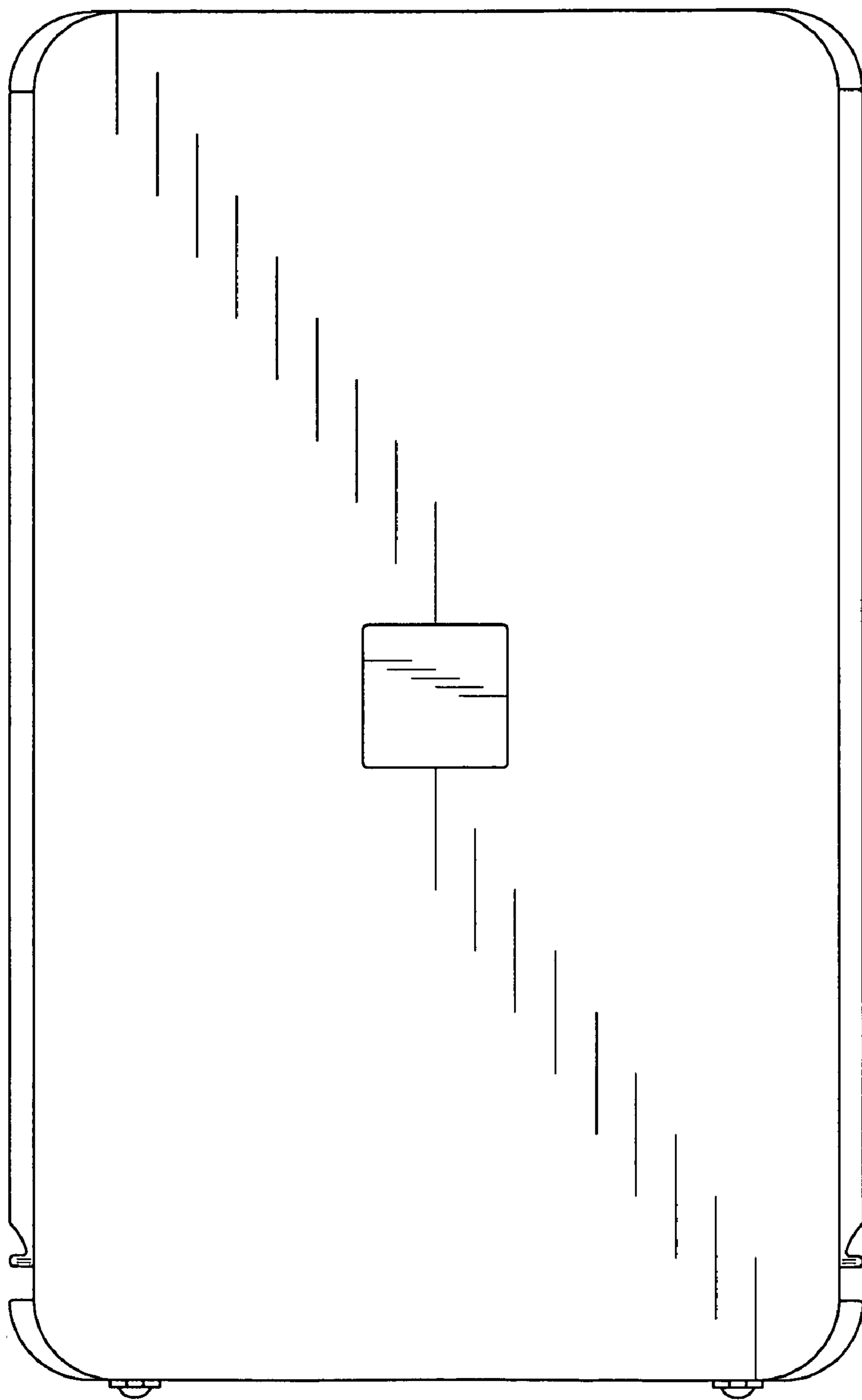


FIG 6

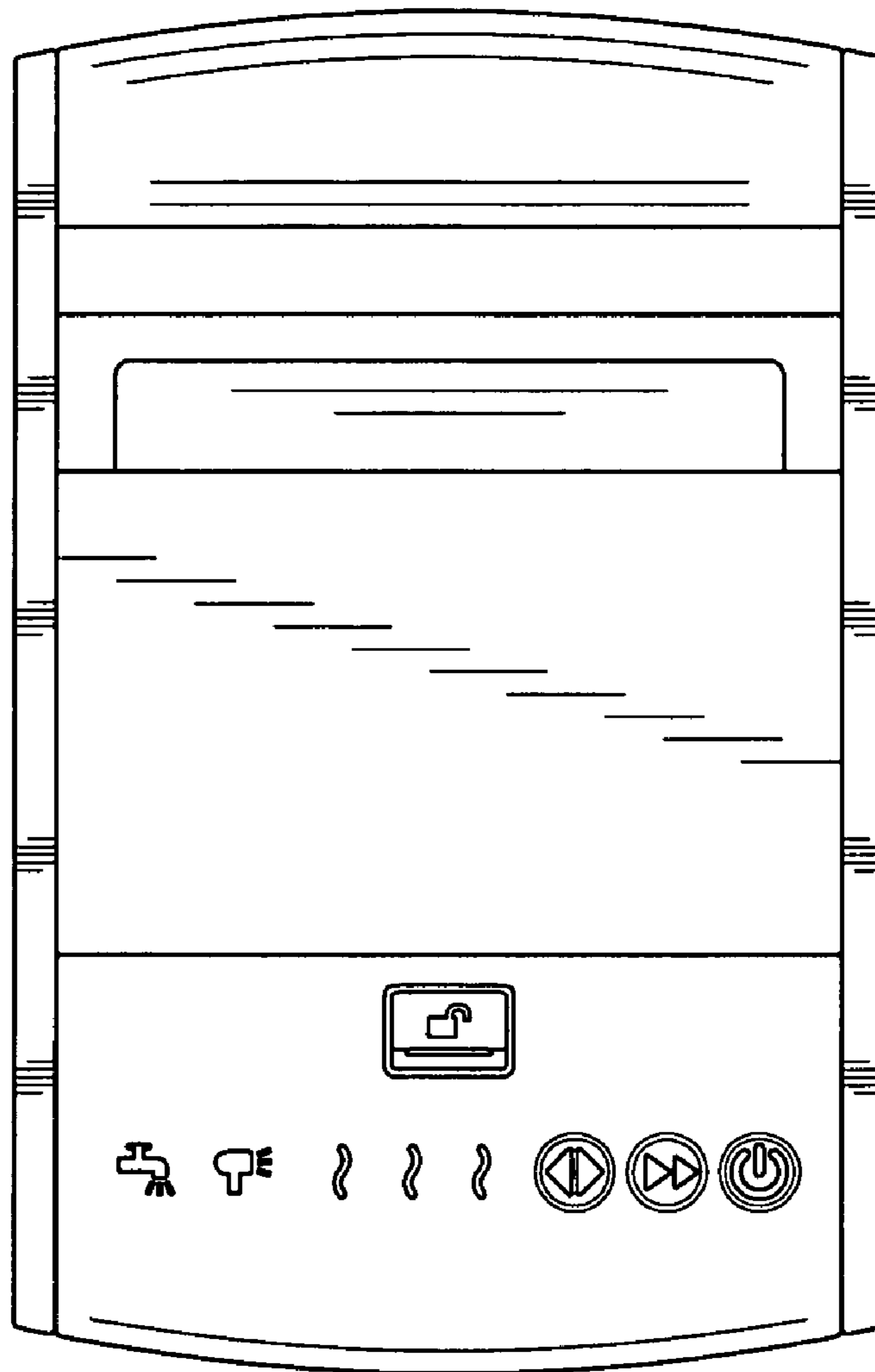


FIG 7



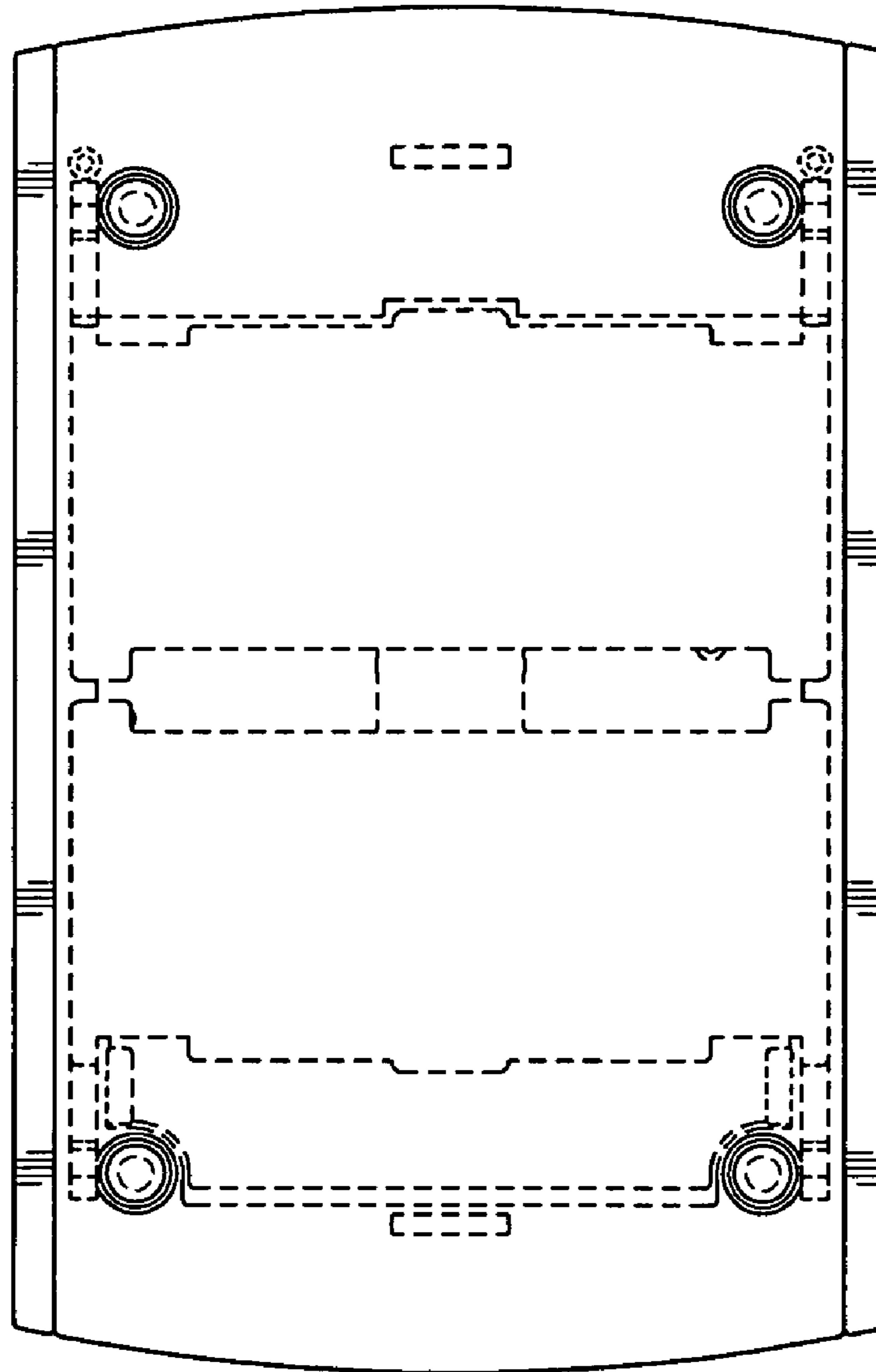


FIG 8

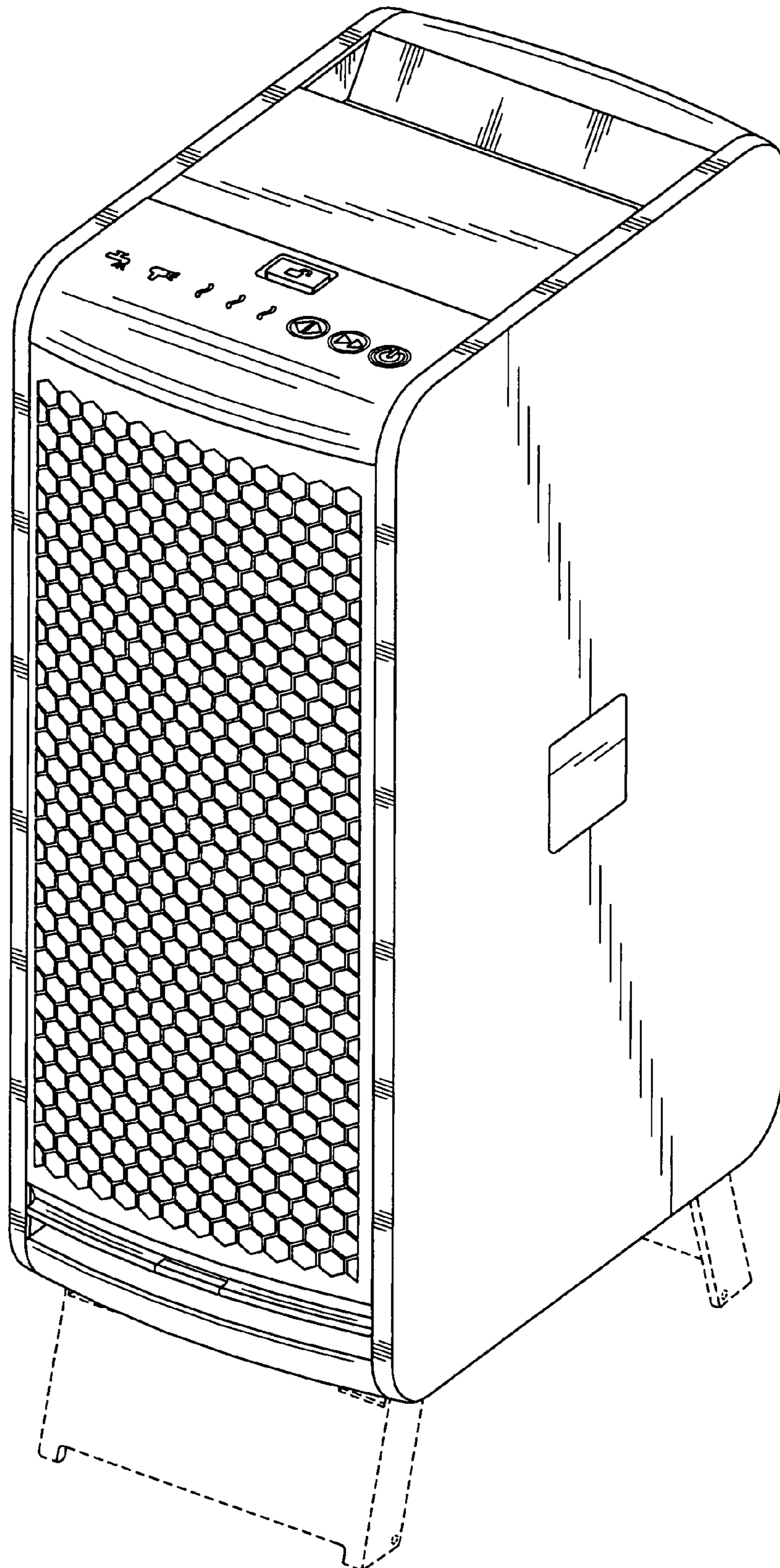


FIG 9

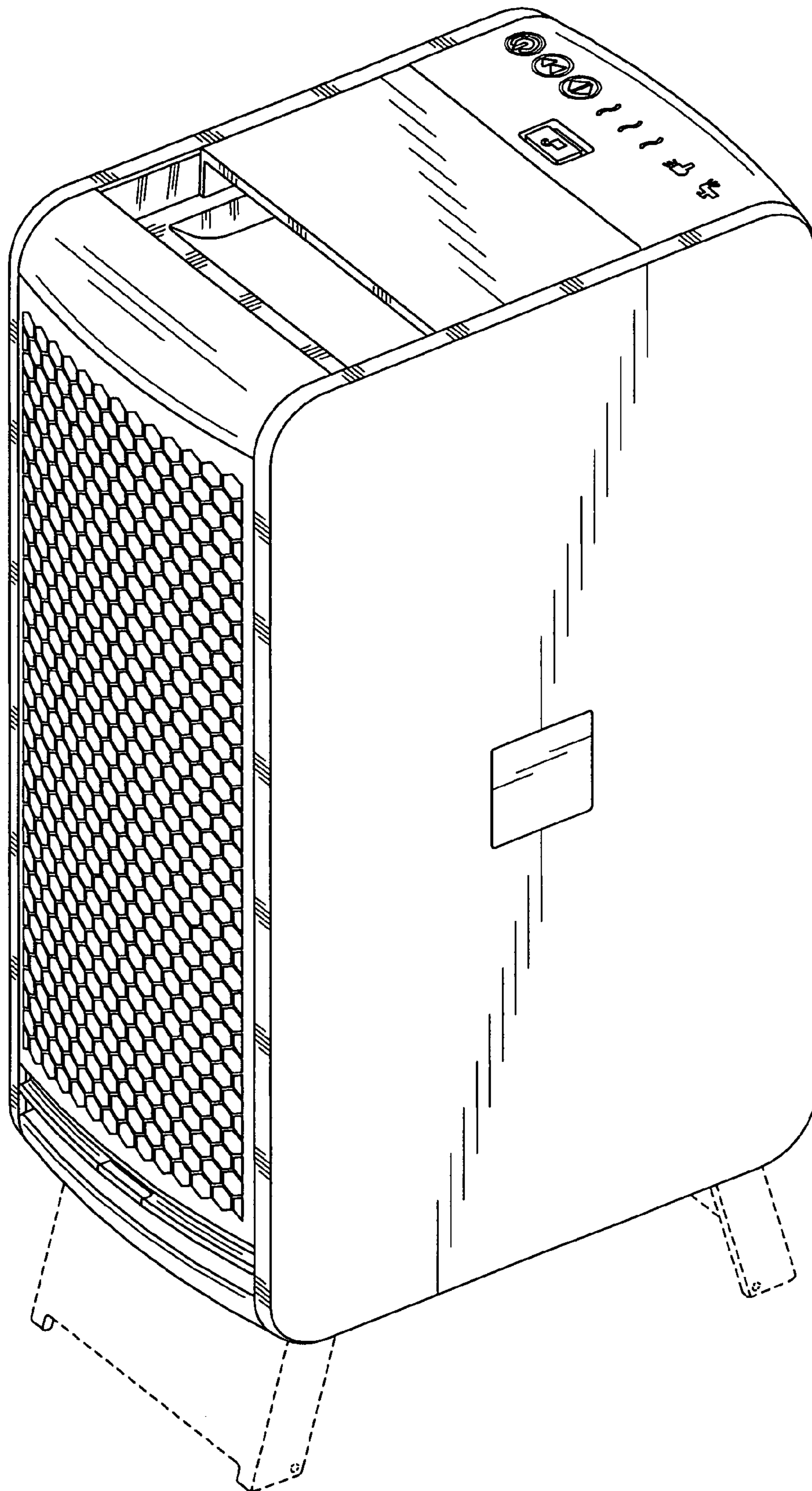


FIG 10

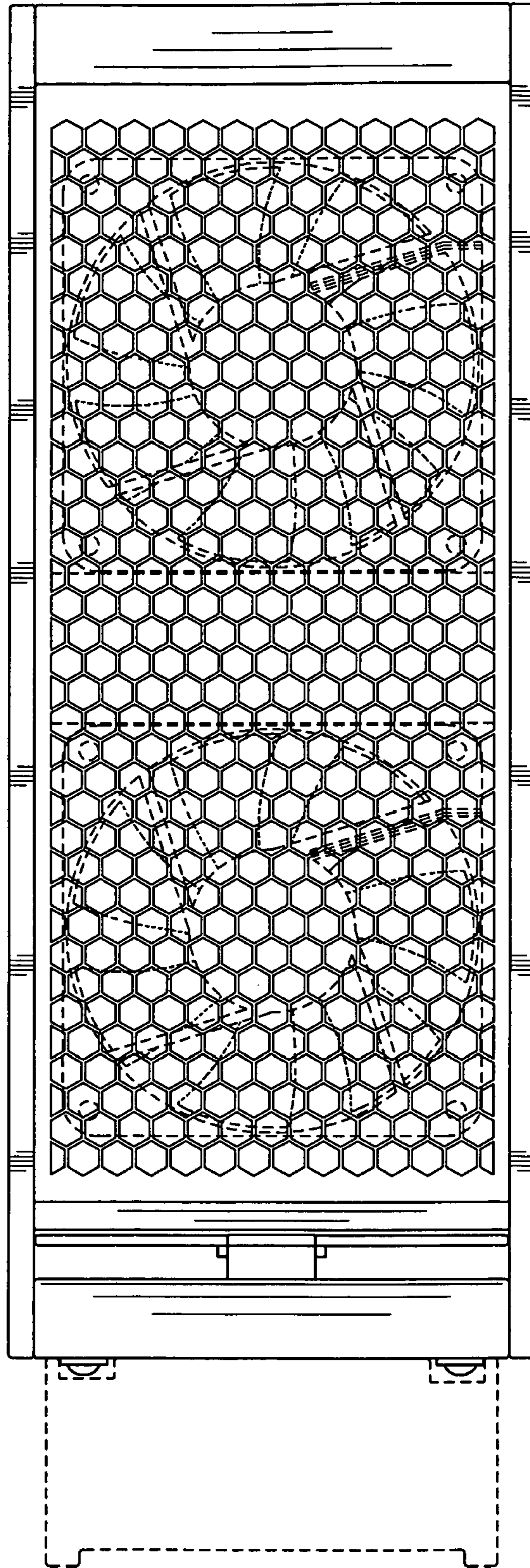


FIG 11

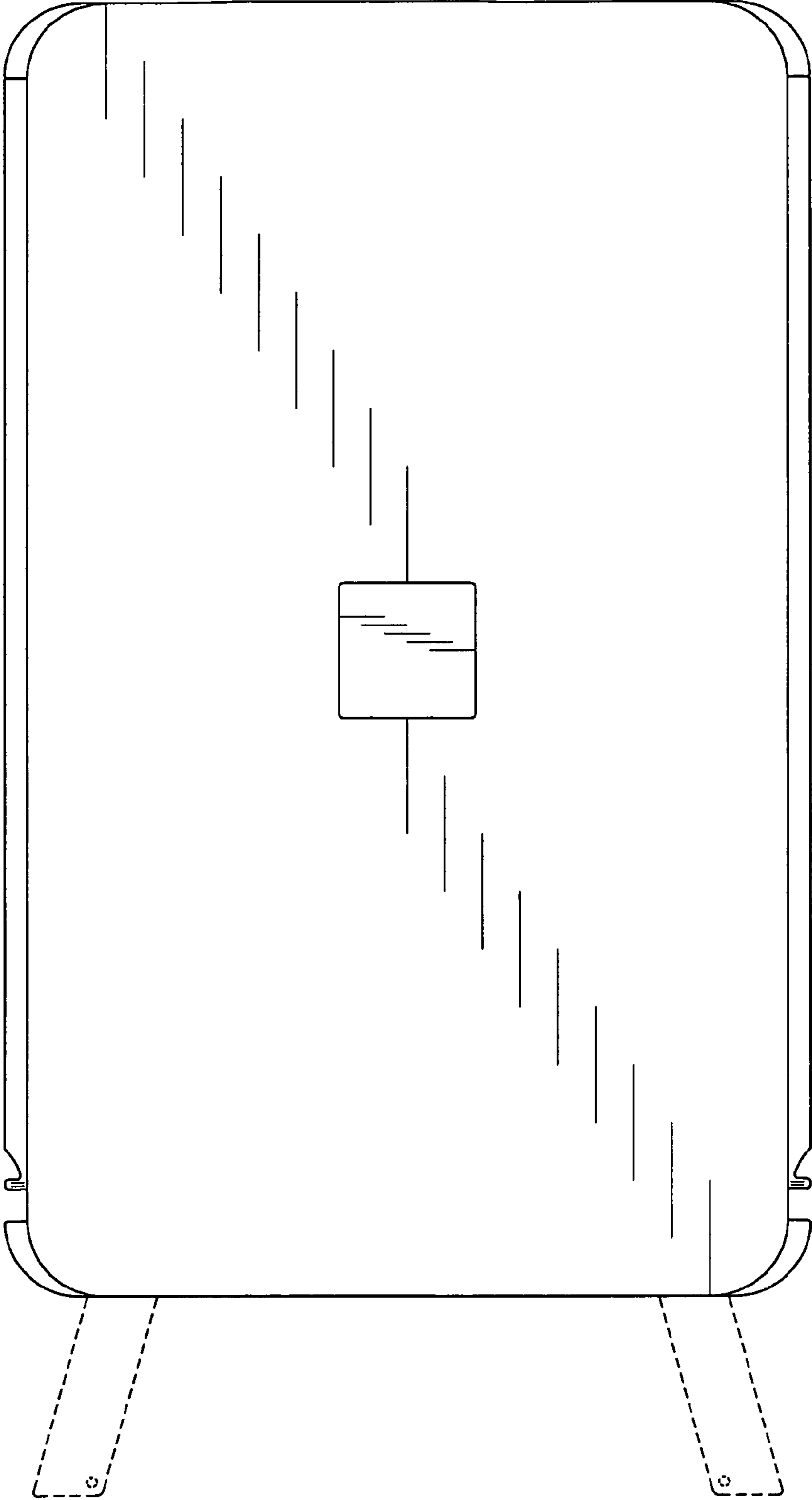


FIG 12