

US00D601685S

(12) **United States Design Patent**
Ouyang

(10) **Patent No.:** **US D601,685 S**
(45) **Date of Patent:** **** Oct. 6, 2009**

(54) **HEATING EQUIPMENT**

(76) Inventor: **Xiao Ouyang**, 408, Block 2, No. 33,
Furongxiyijie, Zhaoqing City,
Guangdong (CN)

(**) Term: **14 Years**

(21) Appl. No.: **29/331,297**

(22) Filed: **Jan. 23, 2009**

(30) **Foreign Application Priority Data**

Dec. 12, 2008 (CN) 200830221835

(51) **LOC (9) Cl.** **23-03**

(52) **U.S. Cl.** **D23/332; D23/342**

(58) **Field of Classification Search** D26/5,
D26/6, 7, 9, 10, 11, 12, 13, 14, 15, 16, 17,
D26/18, 19, 20, 21, 22, 23, 114-137; D11/117,
D11/121, 125, 131; 428/7-9, 11; 431/291,
431/311, 320, 298; 362/161-163, 351; D23/314,
D23/317, 332, 342, 338, 339, 343, 344, 404;
126/500, 520, 523, 527, 536, 555, 544, 58,
126/8, 512

See application file for complete search history.

(56) **References Cited**

U.S. PATENT DOCUMENTS

D574,070 S * 7/2008 Dabrowski D23/342

* cited by examiner

Primary Examiner—T. Chase Nelson
Assistant Examiner—Ania K Dworzecka

(57) **CLAIM**

The ornamental design for a heating equipment, as shown and described.

DESCRIPTION

FIG. 1 is a front elevational view of a heating equipment showing my new design;

FIG. 2 is a rear elevational view thereof;

FIG. 3 is a bottom plan view thereof;

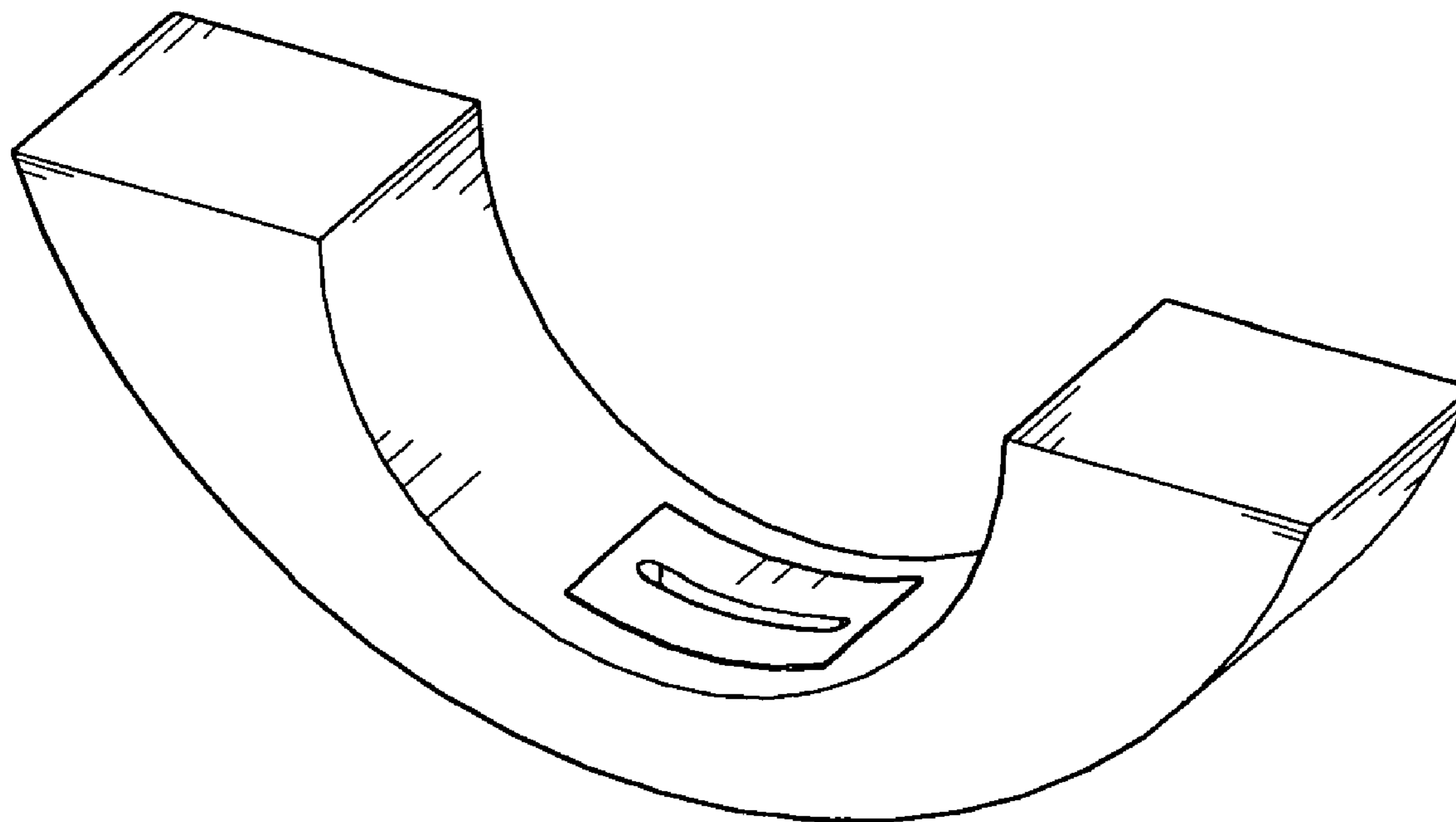
FIG. 4 is a right side view thereof; and,

FIG. 5 is a perspective view thereof.

The broken lines shown form no part of the claimed design.

In the drawings, the broken lines depict environmental subject matter only and form no part of the claimed design.

1 Claim, 2 Drawing Sheets



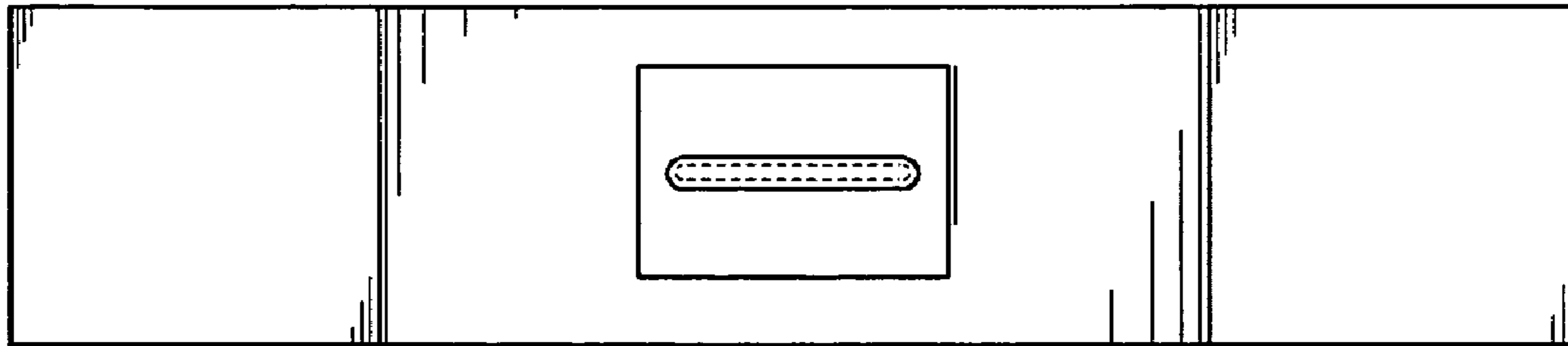


FIG. 1

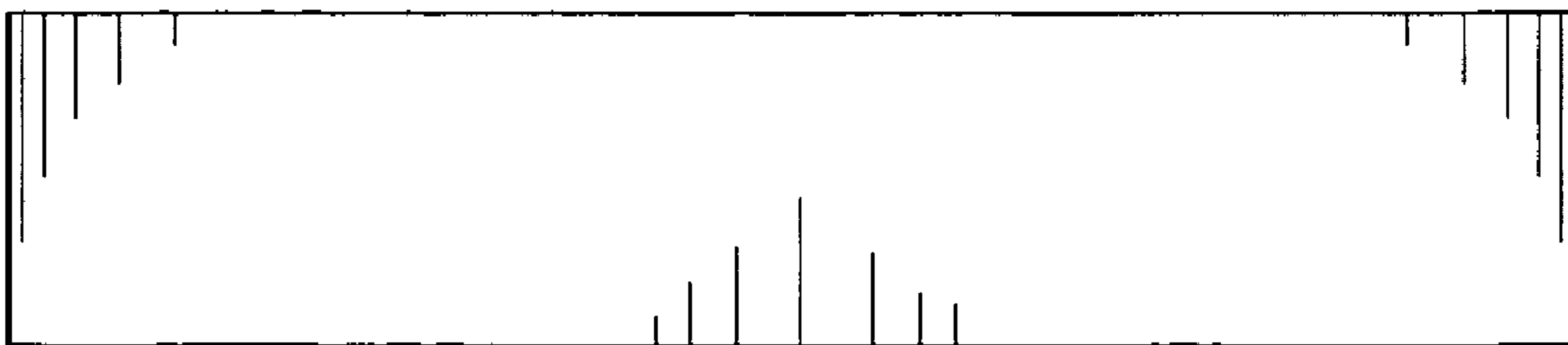


FIG. 2

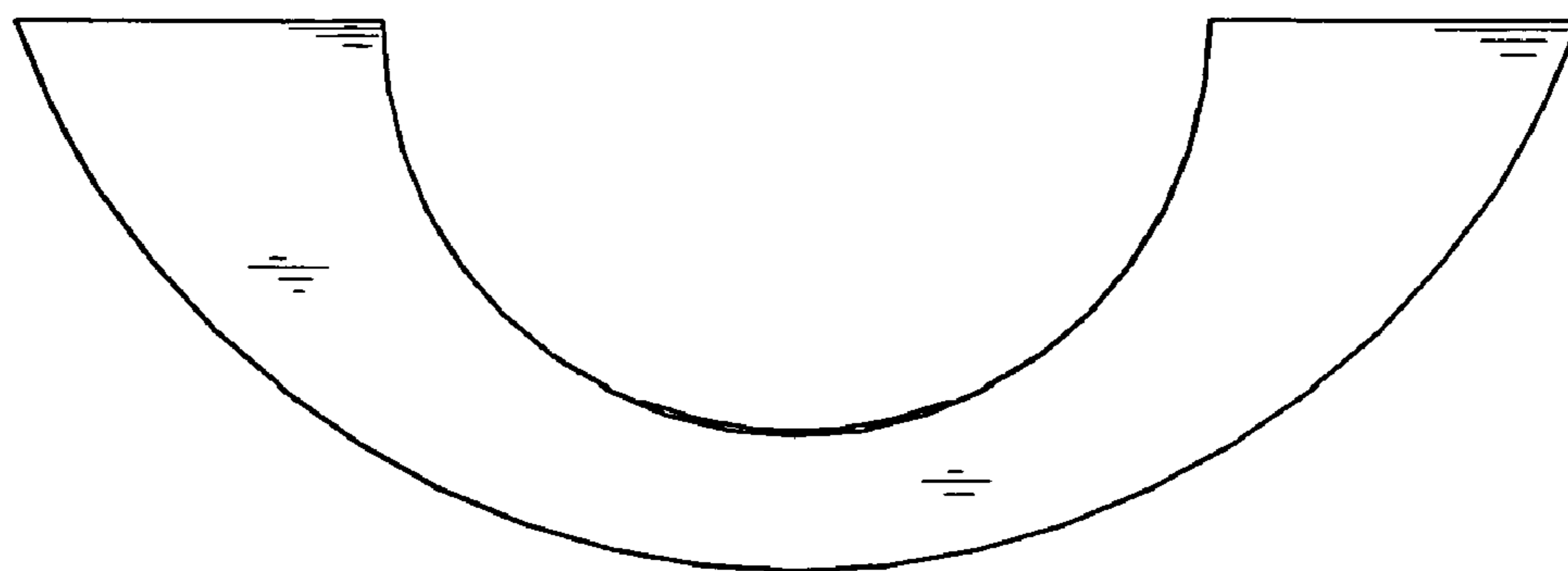


FIG. 3

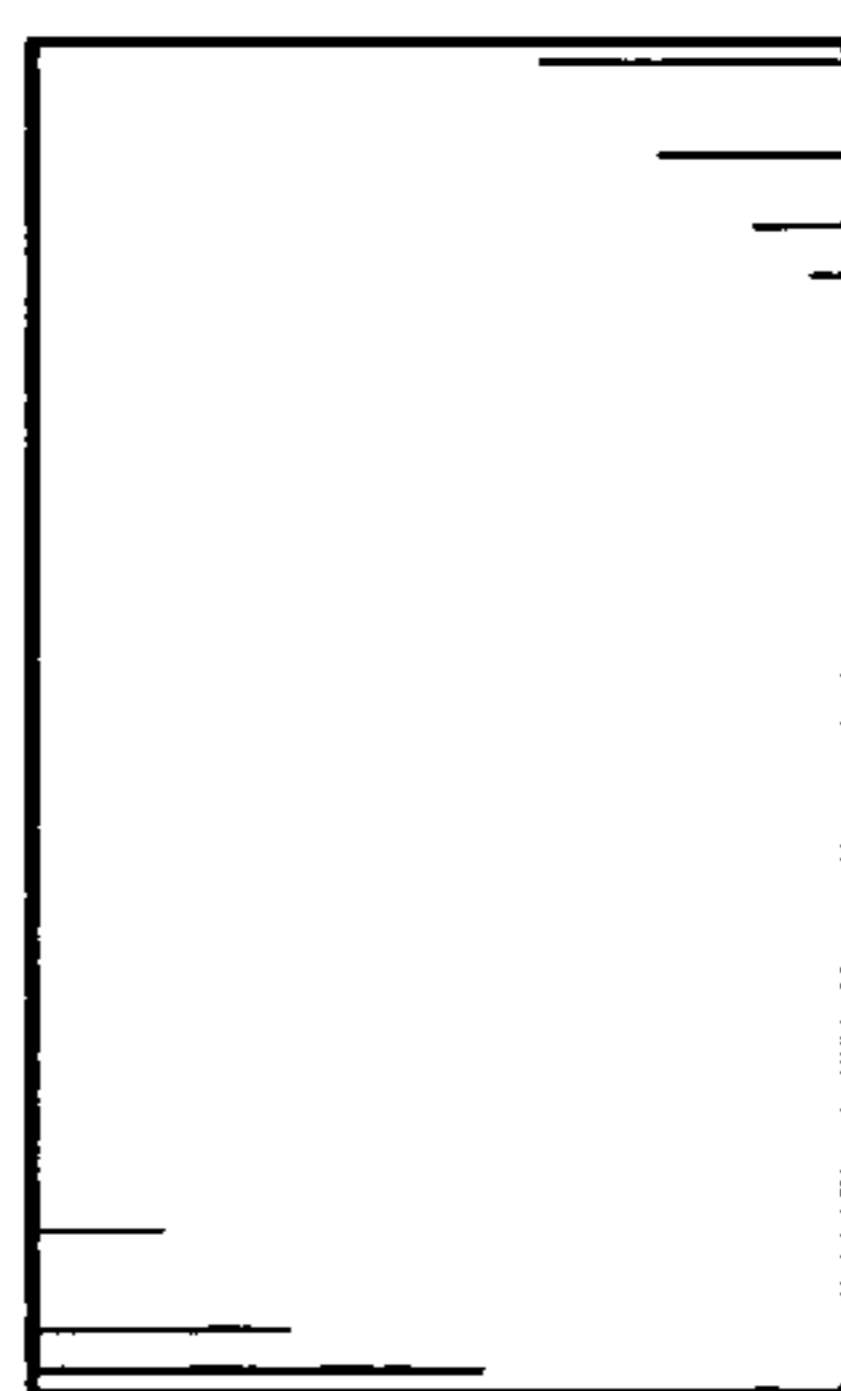


FIG. 4

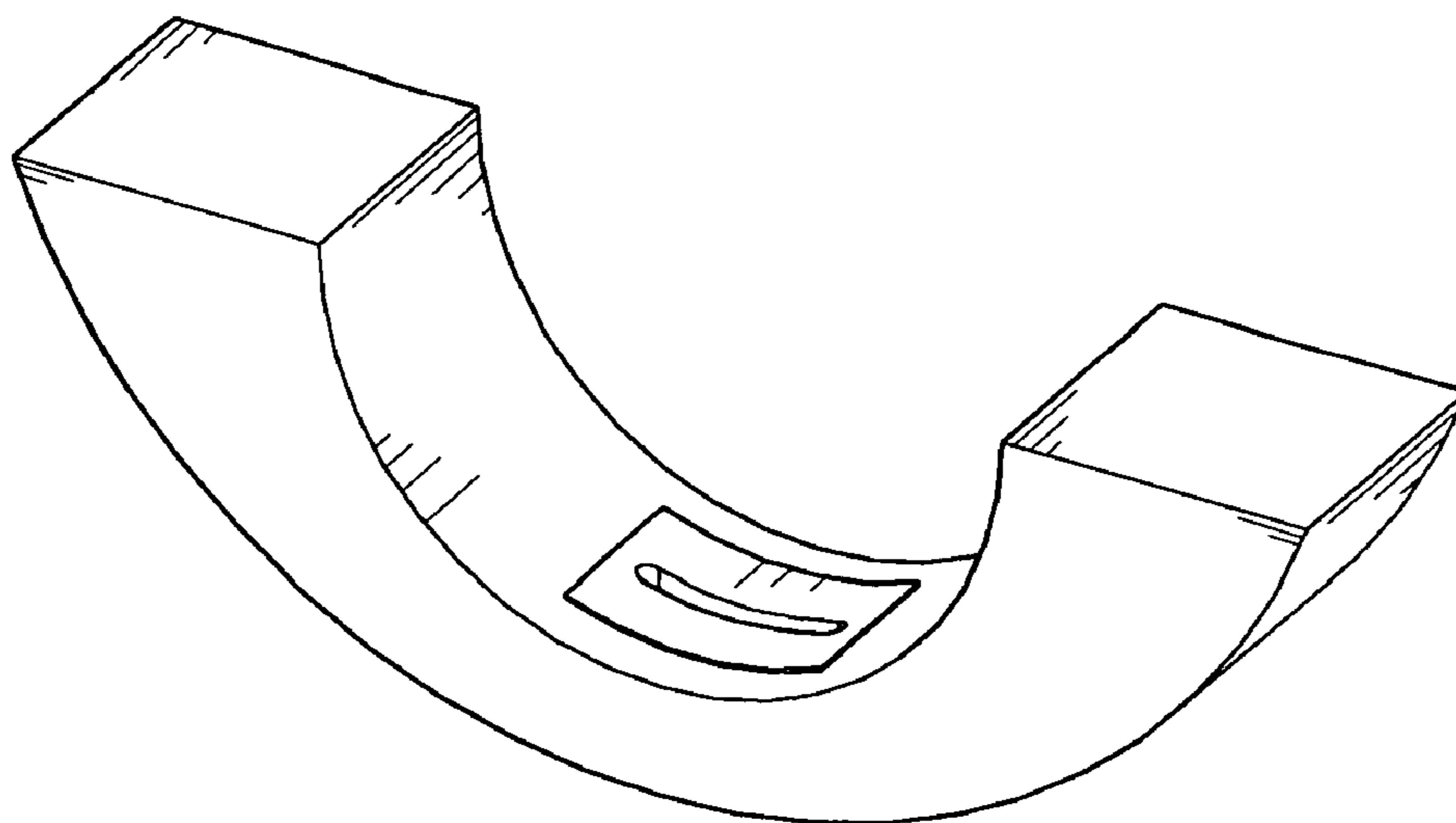


FIG. 5