



US00D601683S

(12) **United States Design Patent**
Schoenherr et al.

(10) **Patent No.:** **US D601,683 S**

(45) **Date of Patent:** **** Oct. 6, 2009**

(54) **FAUCET**

(75) Inventors: **Tom Schoenherr**, Stuttgart (DE); **Sven Feustel**, Stuttgart (DE)

(73) Assignee: **Hansgrohe AG**, Schiltach (DE)

(**) Term: **14 Years**

(21) Appl. No.: **29/333,836**

(22) Filed: **Mar. 16, 2009**

(30) **Foreign Application Priority Data**

Sep. 26, 2008 (EP) 001011415-0003

(51) **LOC (9) Cl.** **02-01**

(52) **U.S. Cl.** **D23/328**

(58) **Field of Classification Search** D23/238,
D23/241-243, 255-257; 4/678; 137/801
See application file for complete search history.

(56) **References Cited**

U.S. PATENT DOCUMENTS

D550,812 S * 9/2007 Haug et al. D23/238

D580,014 S * 11/2008 Citterio D23/238

D581,026 S * 11/2008 Citterio D23/255

D590,050 S * 4/2009 Miyamoto D23/255

* cited by examiner

Primary Examiner—Robert A Delehanty

(74) *Attorney, Agent, or Firm*—Nirav D. Parikh; Edgar A. Zarins

(57) **CLAIM**

The ornamental design for a faucet, as shown and described.

DESCRIPTION

FIG. 1 is a perspective view of a faucet showing our design;

FIG. 2 is a front elevational view thereof;

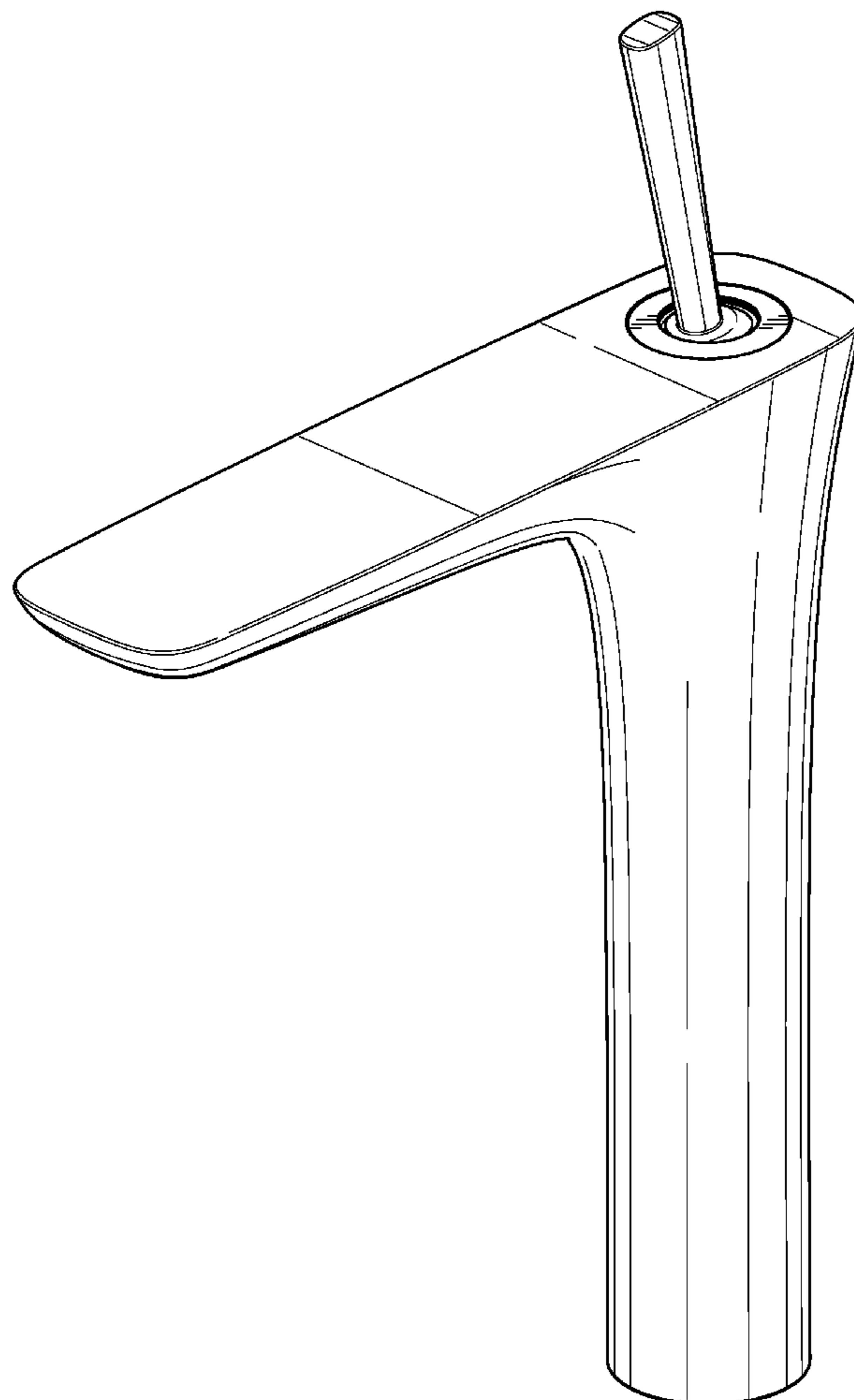
FIG. 3 is a rear elevational view thereof;

FIG. 4 is a left side elevational view thereof; the right side elevational view being a mirror image thereof; and,

FIG. 5 is a top plan view thereof.

The broken lines in the drawings represent unclaimed portions of the design and form no part thereof.

1 Claim, 5 Drawing Sheets



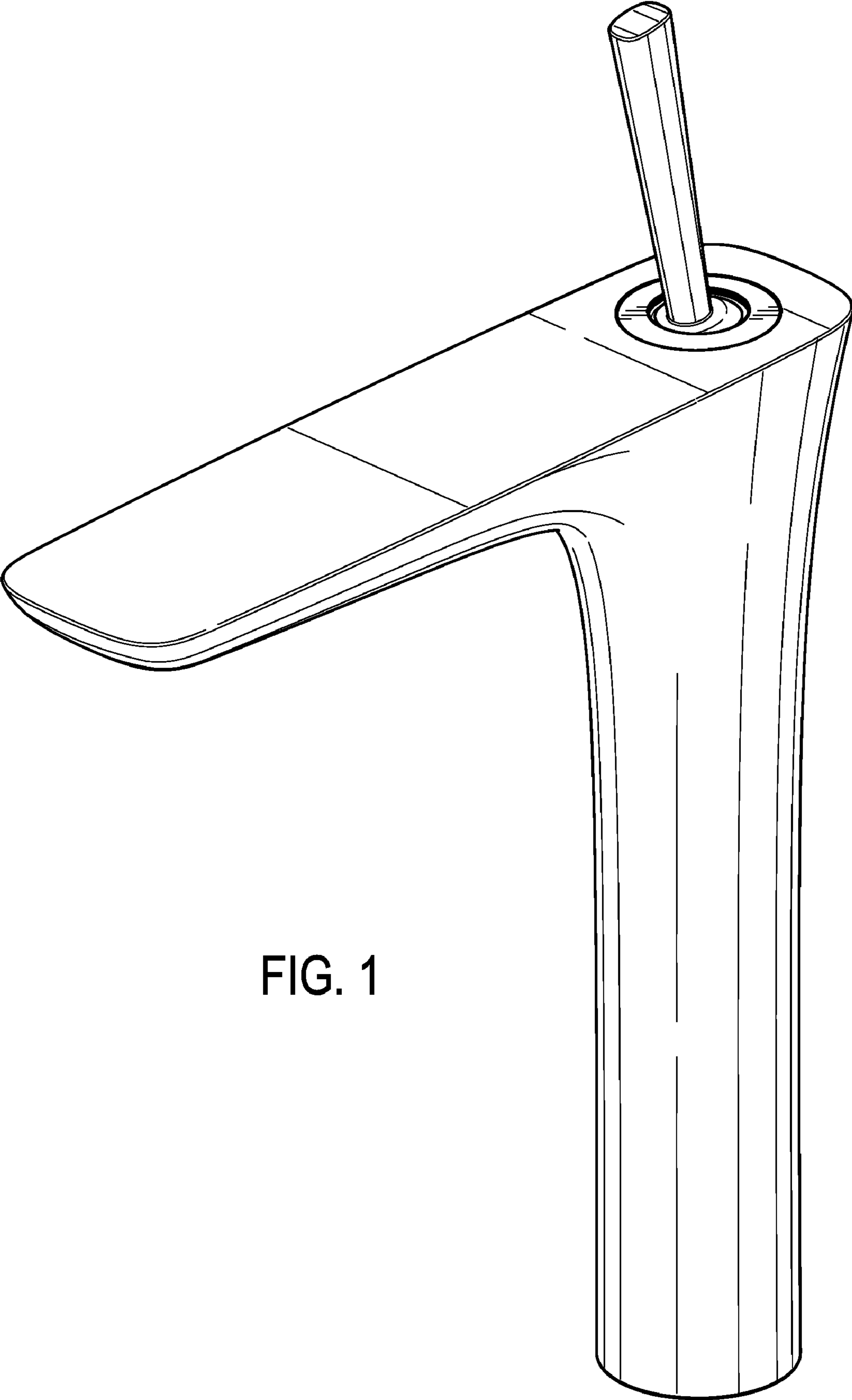


FIG. 1

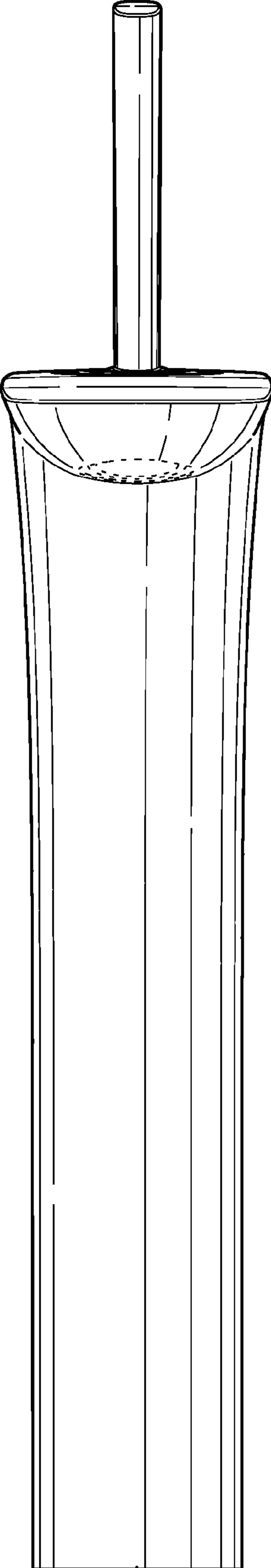


FIG. 2

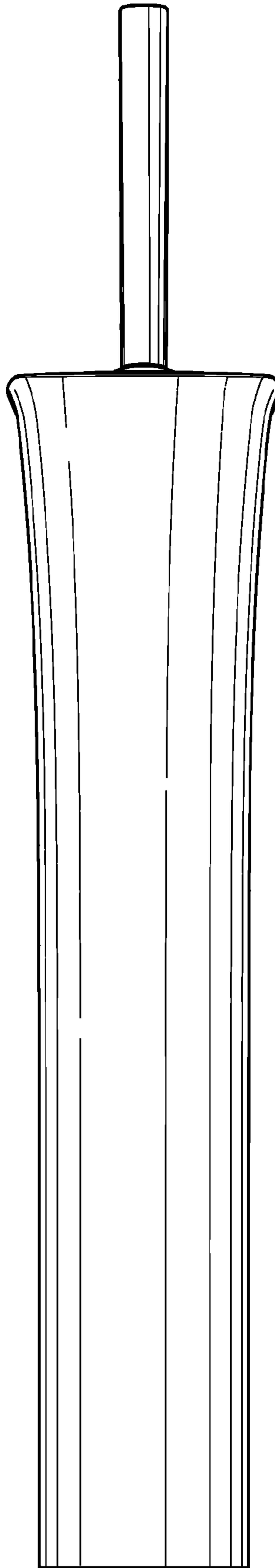


FIG. 3

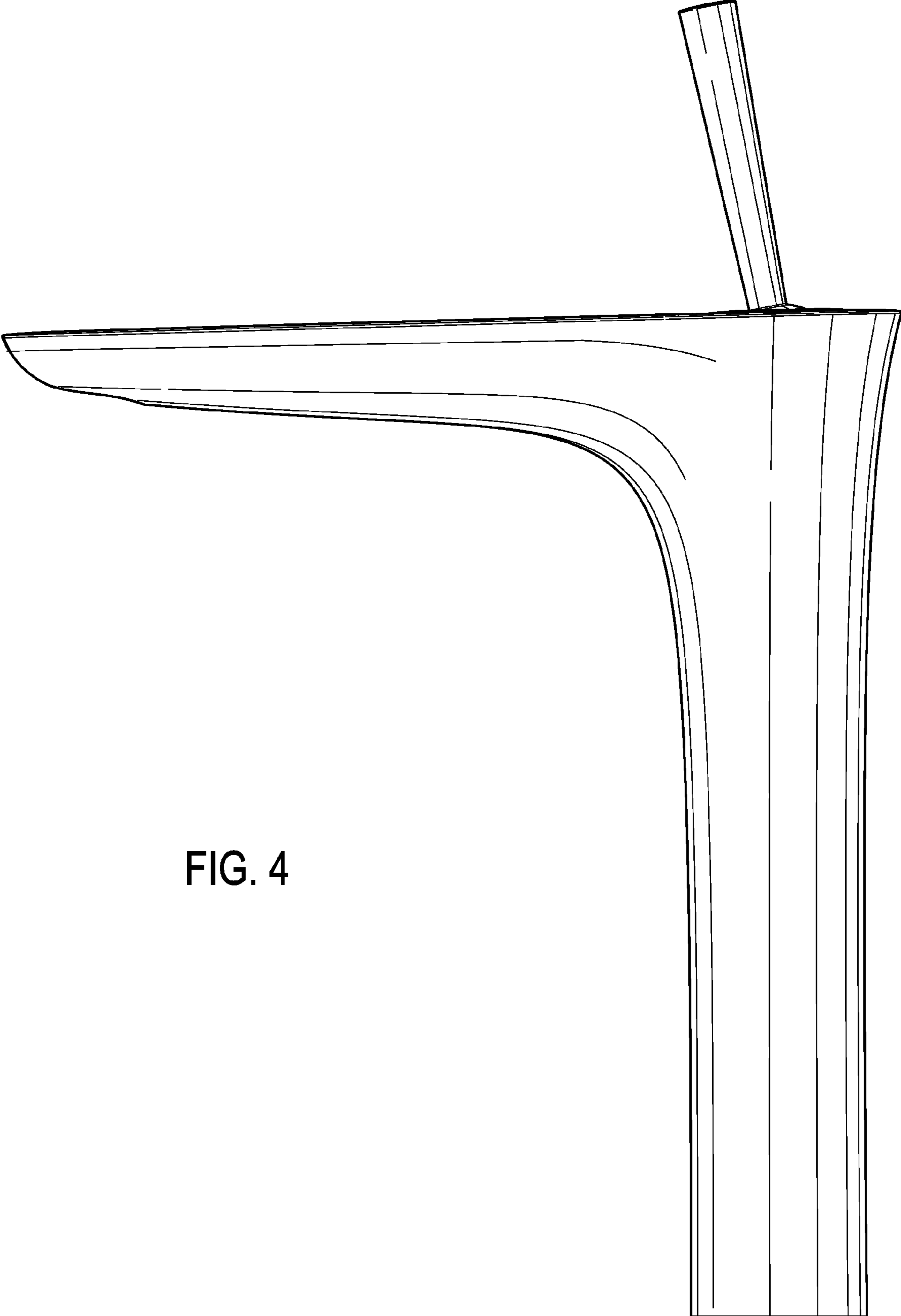


FIG. 4



FIG. 5