



US00D601678S

(12) **United States Design Patent**
Soulier

(10) **Patent No.:** **US D601,678 S**

(45) **Date of Patent:** **** Oct. 6, 2009**

(54) **LAVATORY**

(75) Inventor: **Jean-Hugues Soulier**, Paris (FR)

(73) Assignee: **Kohler France SAS**, Paris (FR)

(**) Term: **14 Years**

(21) Appl. No.: **29/320,603**

(22) Filed: **Jun. 30, 2008**

(30) **Foreign Application Priority Data**

Jan. 4, 2008 (EM) 000853320

(51) **LOC (9) Cl.** **23-01**

(52) **U.S. Cl.** **D23/293.1**

(58) **Field of Classification Search** D23/270–271,
D23/273–274, 284, 286–287, 292–293.1,
D23/303, 308; 4/619, 631, 637, 661
See application file for complete search history.

(56) **References Cited**

U.S. PATENT DOCUMENTS

D560,777 S * 1/2008 Hanna D23/293.1
D588,244 S * 3/2009 Lee et al. D23/293.1

FOREIGN PATENT DOCUMENTS

NL DM 068169 8/2006

OTHER PUBLICATIONS

WS Bath Collection. “Ceramica—Washbasin LVQ 120”.
HomePortfolio.com online catalog. Copyright 1997-2007
HomePortfolio Inc.

RonBow. “Ceramic Lavatory Sink”. Model No. CB5004.
FaucetDirect.com online catalog. Copyright 2000-2007 Improve-
ment Direct, Inc.

RonBow. “Ceramic Lavatory Sink”. Model No. CB5003.
FaucetDirect.com online catalog. Copyright 2000-2007 Improve-
ment Direct, Inc.

* cited by examiner

Primary Examiner—Robert A Delehanty

(74) *Attorney, Agent, or Firm*—Quarles & Brady LLP

(57) **CLAIM**

The ornamental design for a lavatory, as shown and described.

DESCRIPTION

In a preferred embodiment, the nature of this product is a
lavatory for washing various items and human body parts.

FIG. 1 is a top, left, front perspective view of a lavatory
embodying my new design;

FIG. 2 is a top plan view thereof;

FIG. 3 is a front elevational view thereof;

FIG. 4 is a left side elevational view thereof, the right side
elevational view thereof being a mirror image of the left side
shown;

FIG. 5 is a rear elevational view thereof; and,

FIG. 6 is a bottom plan view thereof.

The broken line representations in the figures are for the
purpose of illustration only, and form no part of the claimed
design.

1 Claim, 3 Drawing Sheets

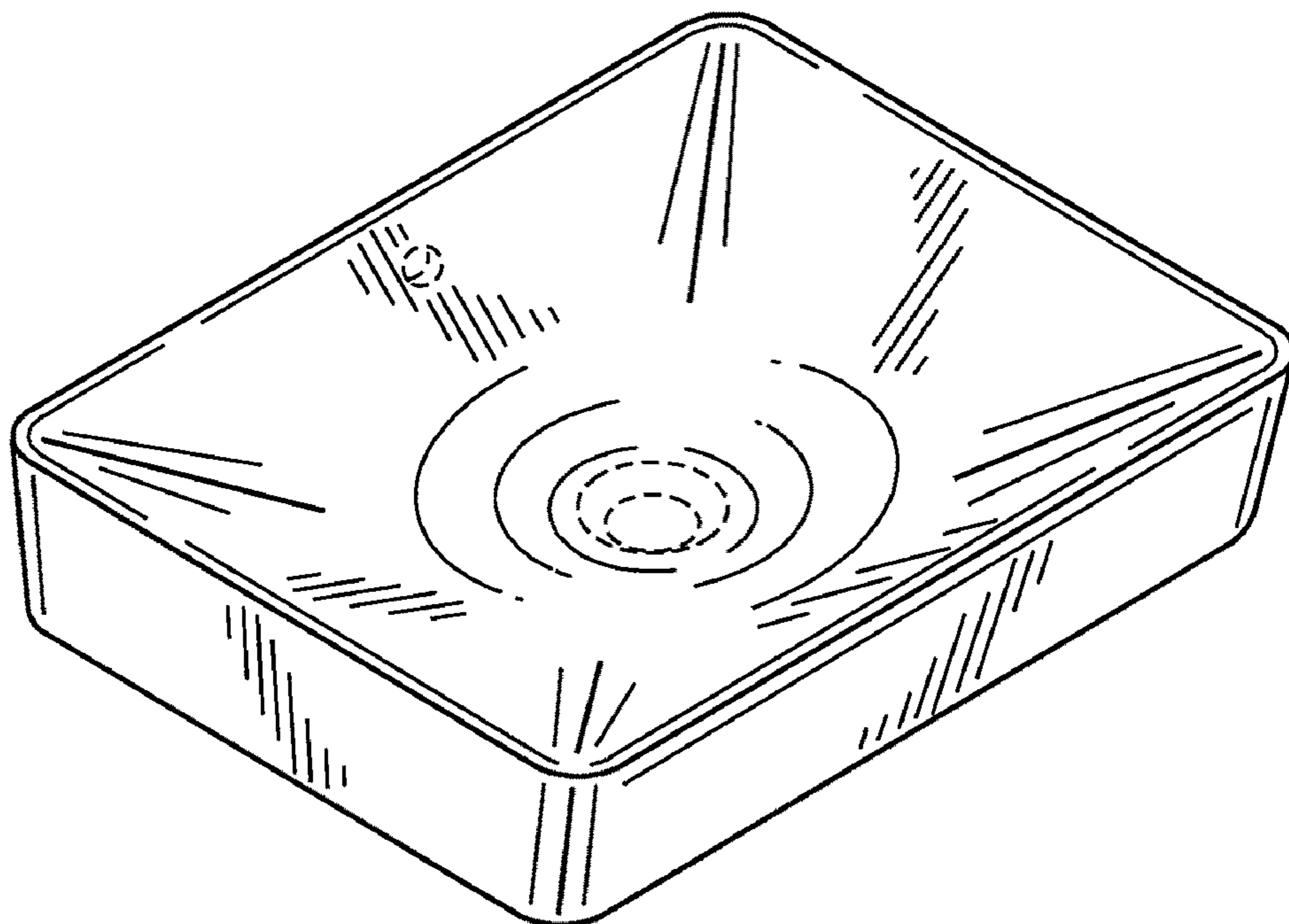


FIG. 1

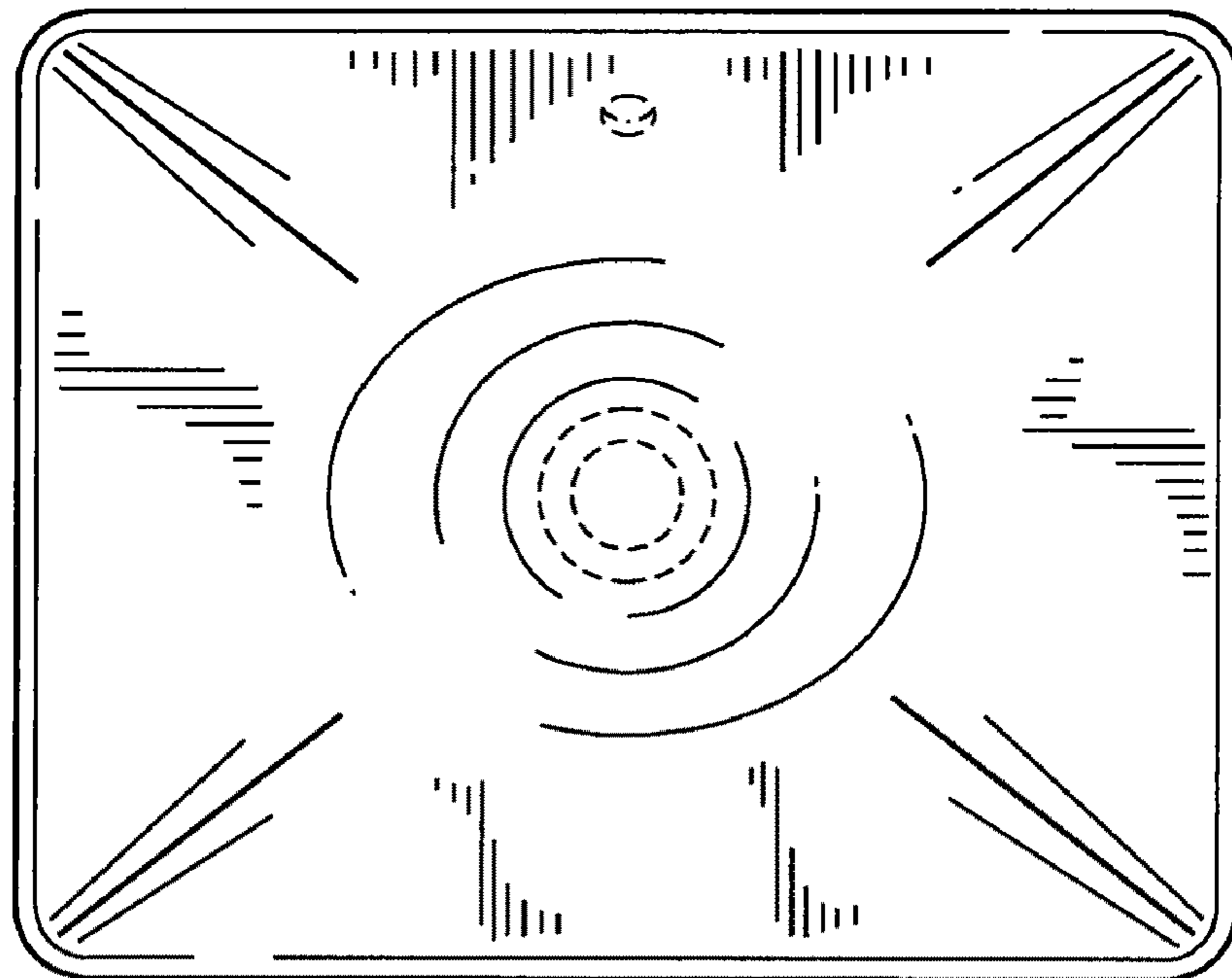
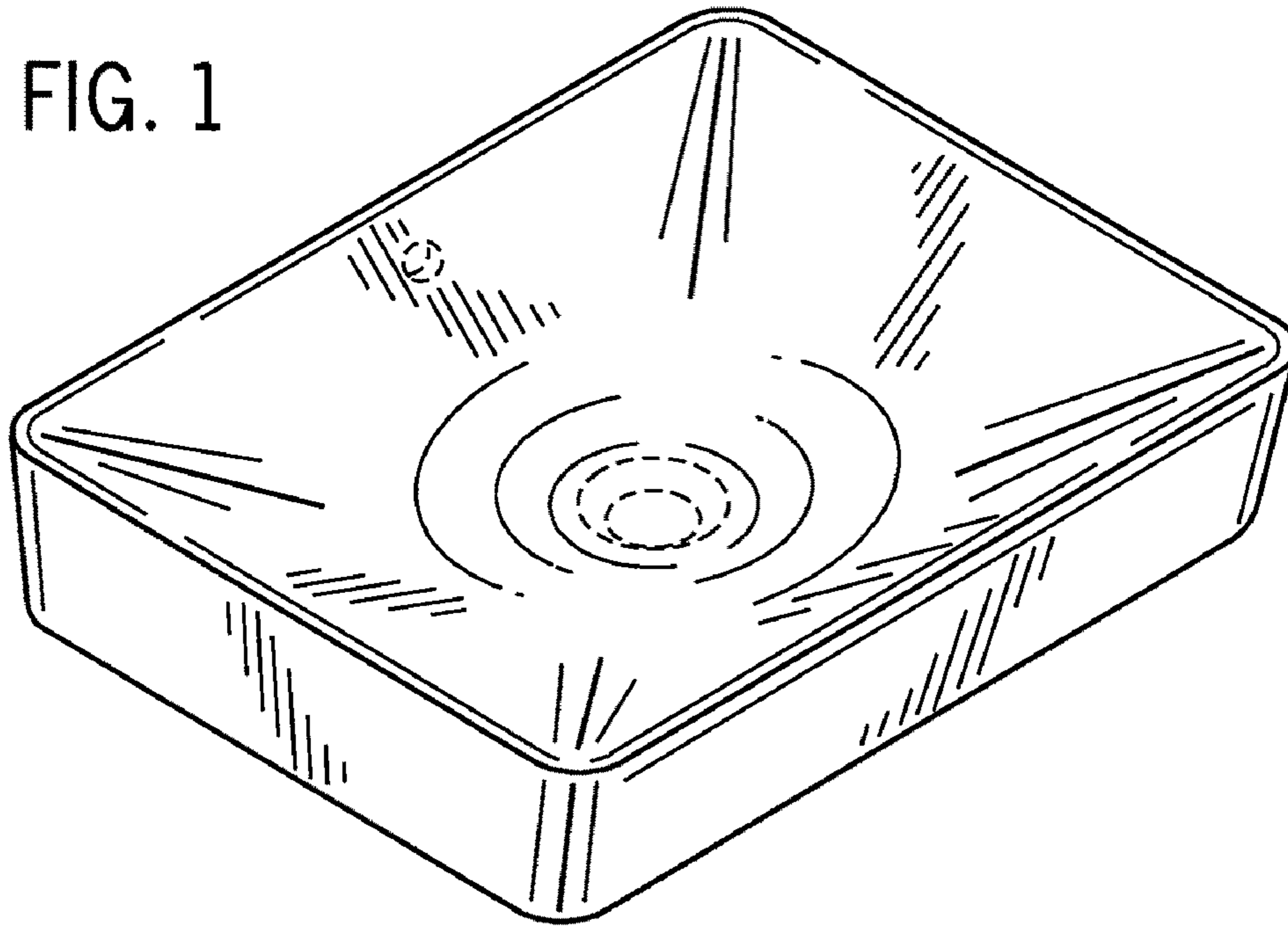


FIG. 2

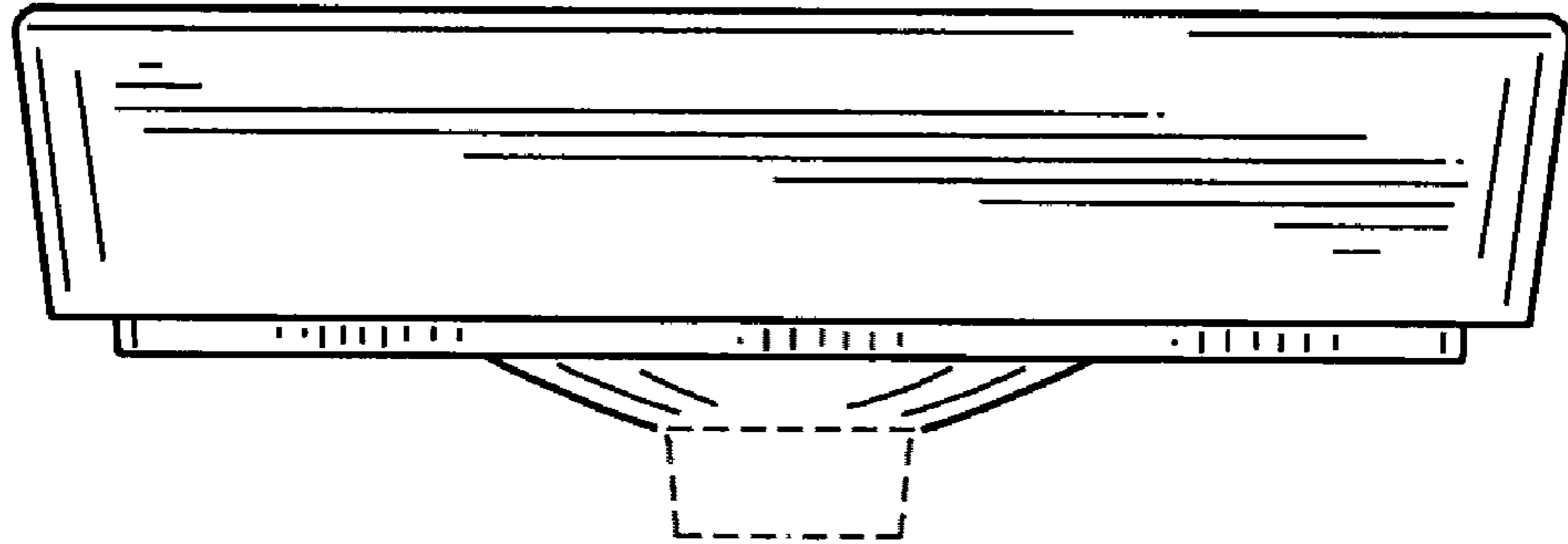


FIG. 3

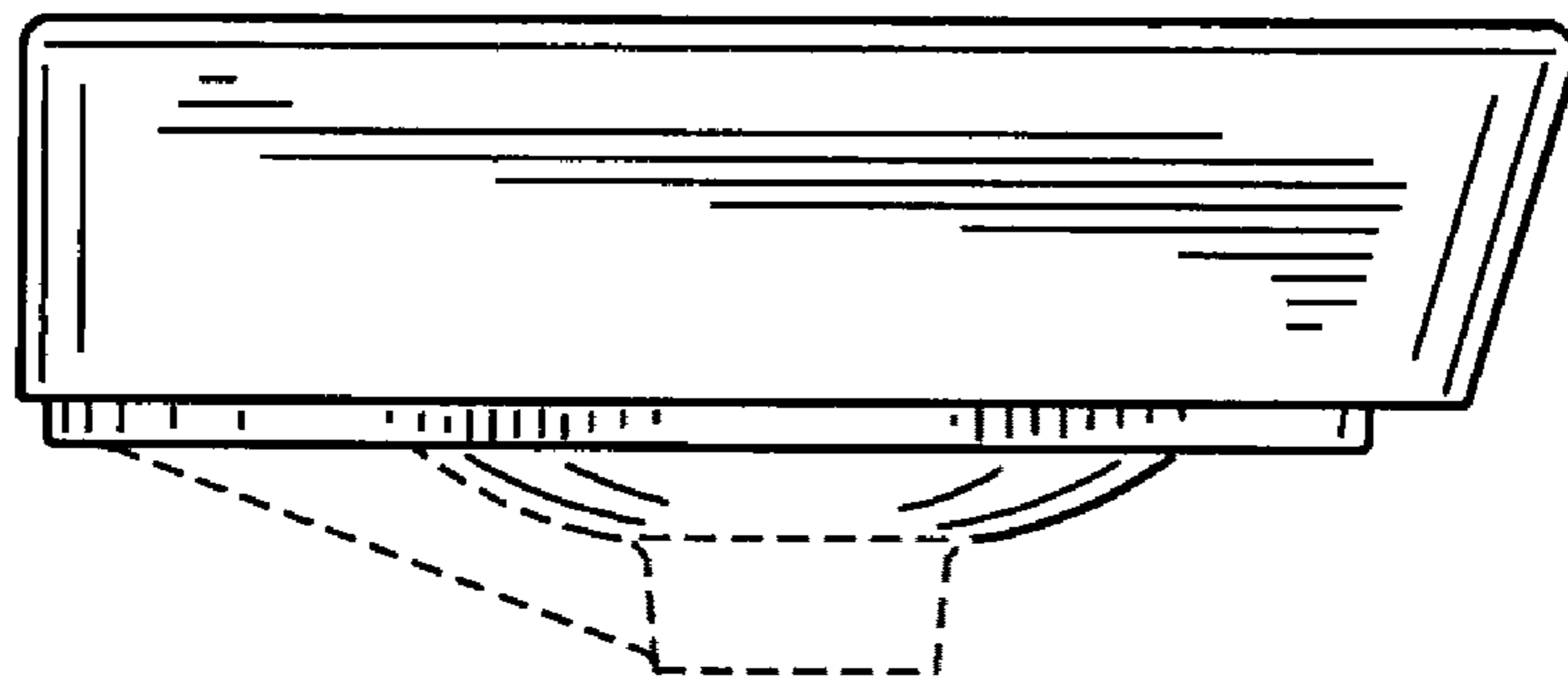


FIG. 4

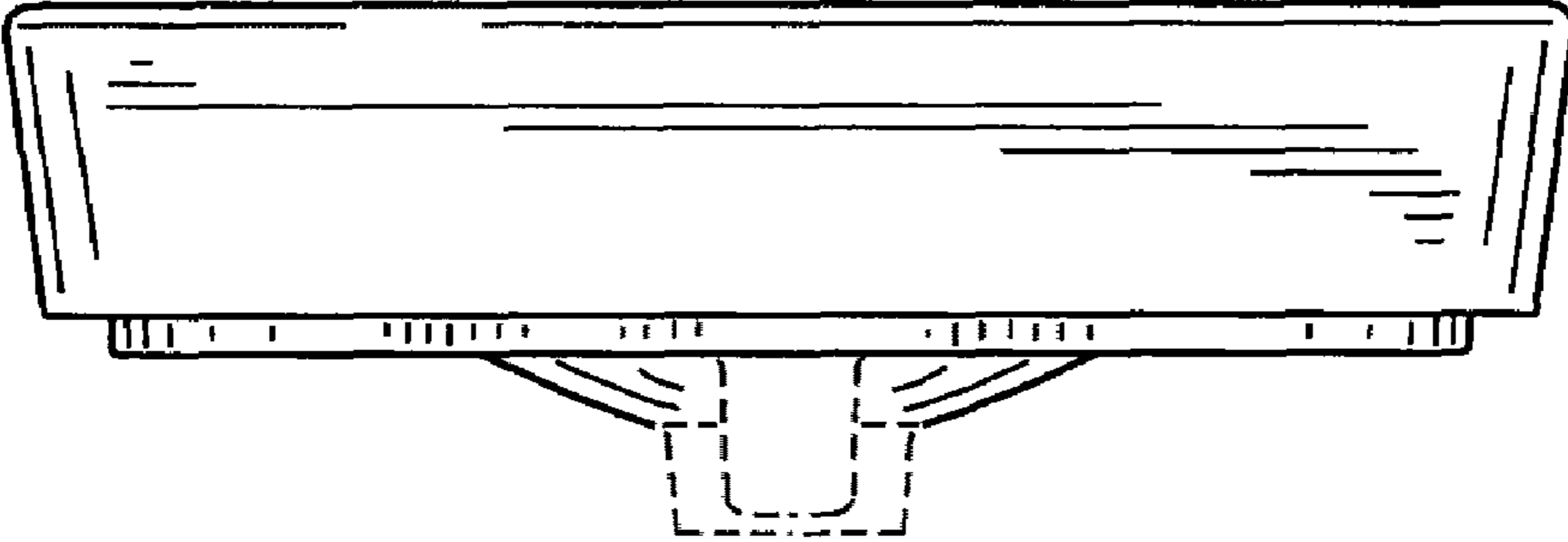


FIG. 5

FIG. 6

