



US00D601675S

(12) **United States Design Patent**  
**Booth et al.**

(10) **Patent No.:** **US D601,675 S**  
(45) **Date of Patent:** **\*\* Oct. 6, 2009**

(54) **SINK**

(75) Inventors: **Shawn J. Booth**, Sheboygan, WI (US);  
**Mary J. Reid**, Sheboygan, WI (US)

(73) Assignee: **Kohler Co.**, Kohler, WI (US)

(\*\*) Term: **14 Years**

(21) Appl. No.: **29/325,818**

(22) Filed: **Oct. 7, 2008**

(51) **LOC (9) Cl.** ..... **23-01**

(52) **U.S. Cl.** ..... **D23/290**

(58) **Field of Classification Search** ..... D23/270–271,  
D23/273–274, 284, 286–287, 292–293.1,  
D23/303, 308; 4/619, 631, 637, 661  
See application file for complete search history.

(56) **References Cited**

**U.S. PATENT DOCUMENTS**

D547,833 S \* 7/2007 Mahon ..... D23/290  
D548,312 S \* 8/2007 Spangler ..... D23/290

**OTHER PUBLICATIONS**

Kohler Co. Deerfield Smart Divide. Model No. K-5838-7U-96.  
Kohler Co. catalog “The Bold Look of Kohler; K-700 Design  
Manual”, Copyright 2004 Kohler Co.  
Kohler Co. “Undertone Undercounter Sink”. Kohler Co, catalog.  
Kohler Co. Brookfield Double Equal. Model No. K5942-5U-G9.

Kohler Co. catalog “The Bold Look of Kohler; K-700 Design  
Manual”. Copyright 2004 Kohler Co.

\* cited by examiner

*Primary Examiner*—Robert A Delehanty

(74) *Attorney, Agent, or Firm*—Quarles & Brady LLP

(57) **CLAIM**

The ornamental design for a sink, as shown and described.

**DESCRIPTION**

In a preferred embodiment, the nature of this product is as a  
plumbing fixture in the form of a sink which is primarily  
useful for washing various items and the body parts of  
humans.

FIG. 1 is a right, top, front perspective view of a sink embody-  
ing our new design;

FIG. 2 is a top plan view thereof;

FIG. 3 is a front elevational view thereof;

FIG. 4 is a right side elevational view thereof, the left side  
elevational view thereof being a mirror image of the right side  
shown;

FIG. 5 is a rear elevational view thereof; and,

FIG. 6 is a bottom plan view thereof.

The broken line representations in the figures are for the  
purpose of illustration only, and form no part of the claimed  
design.

**1 Claim, 4 Drawing Sheets**

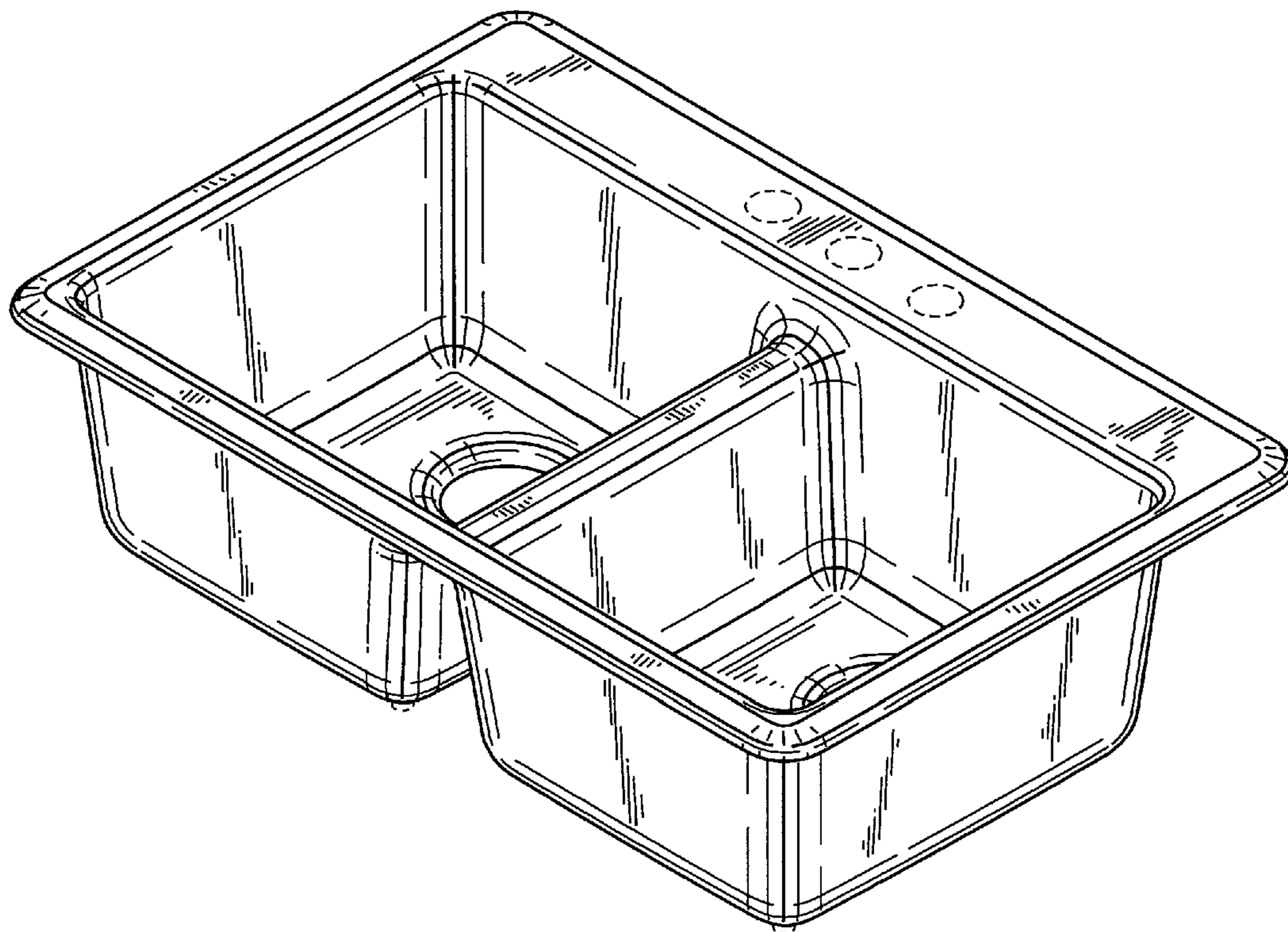
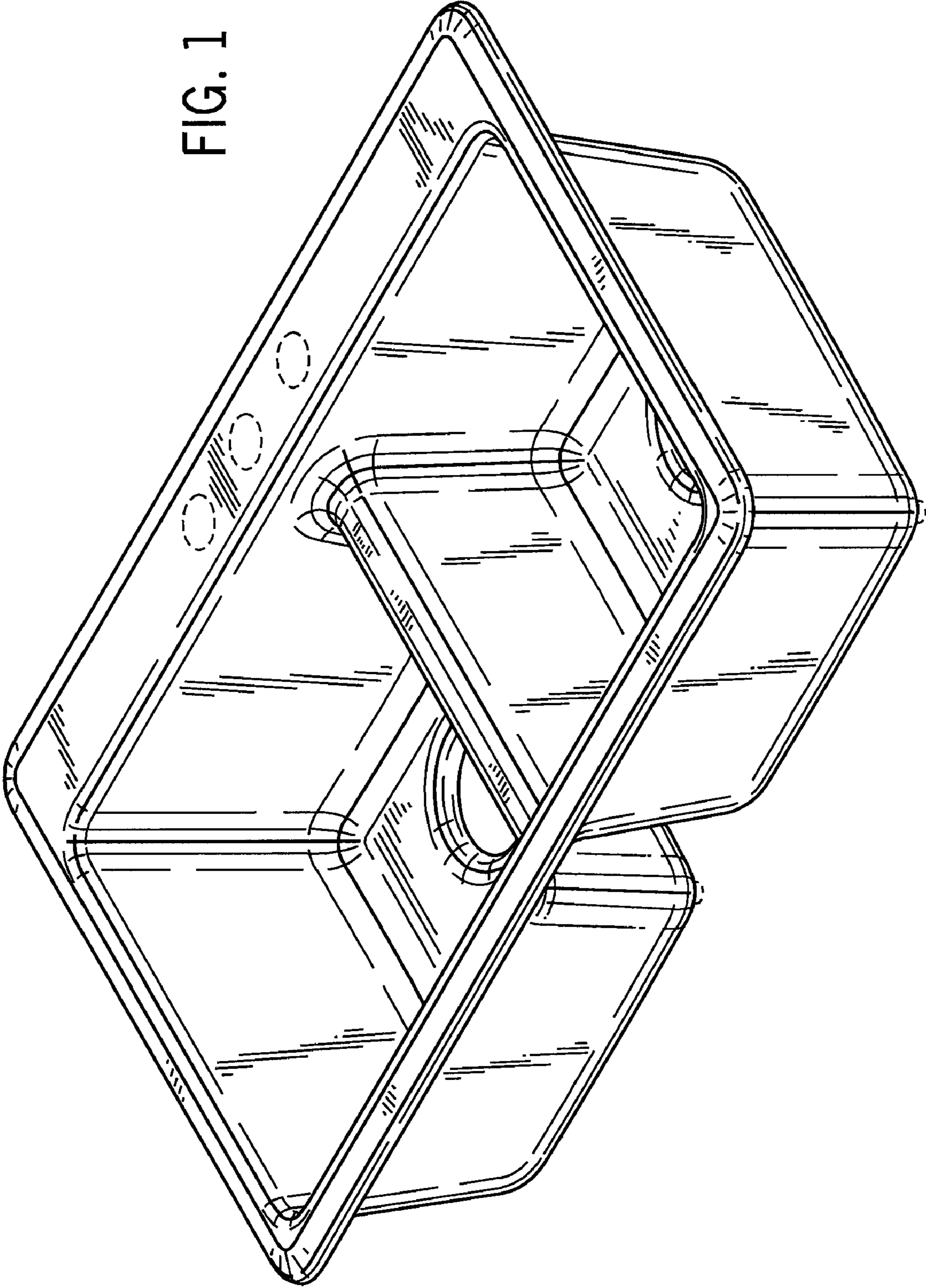


FIG. 1



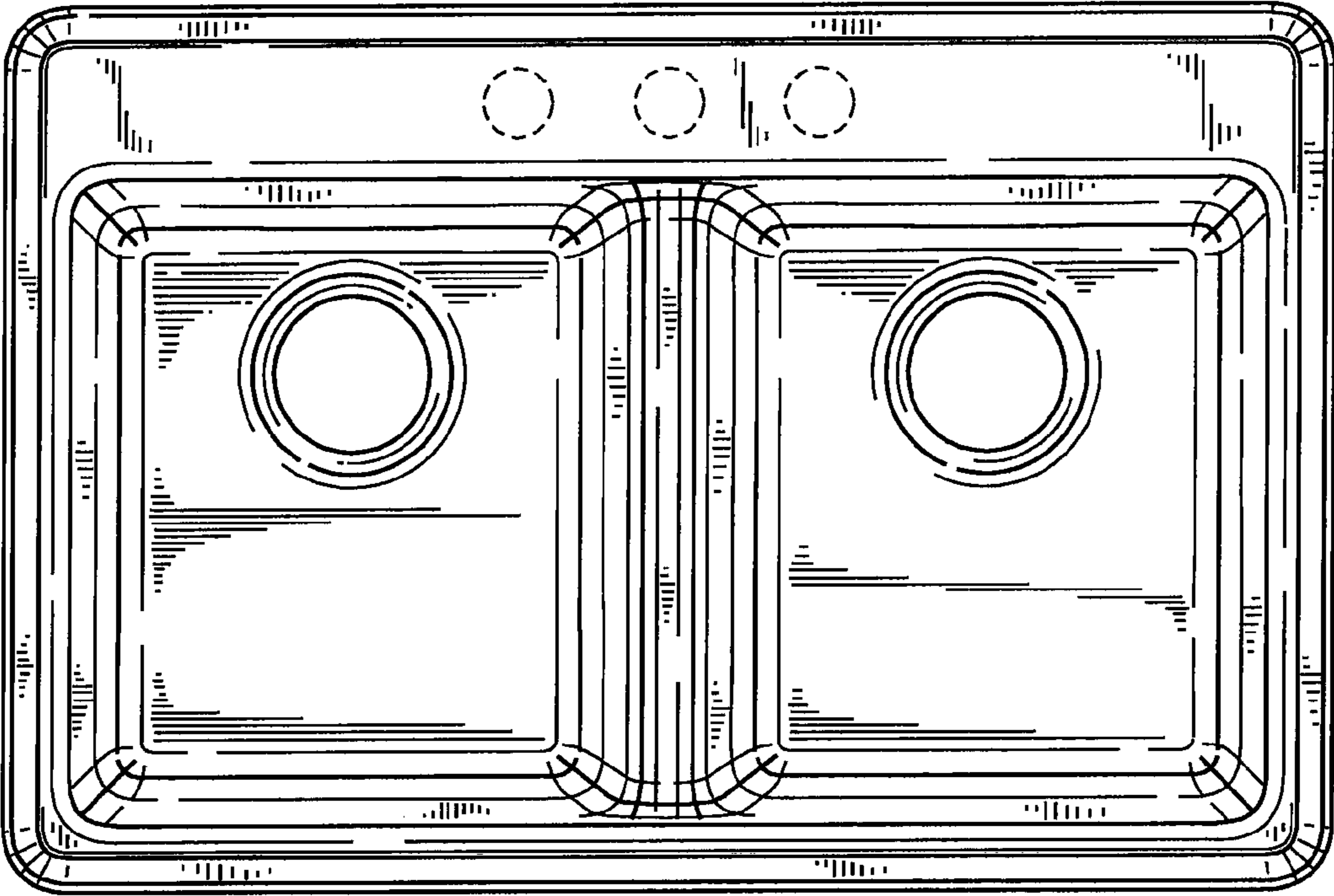


FIG. 2

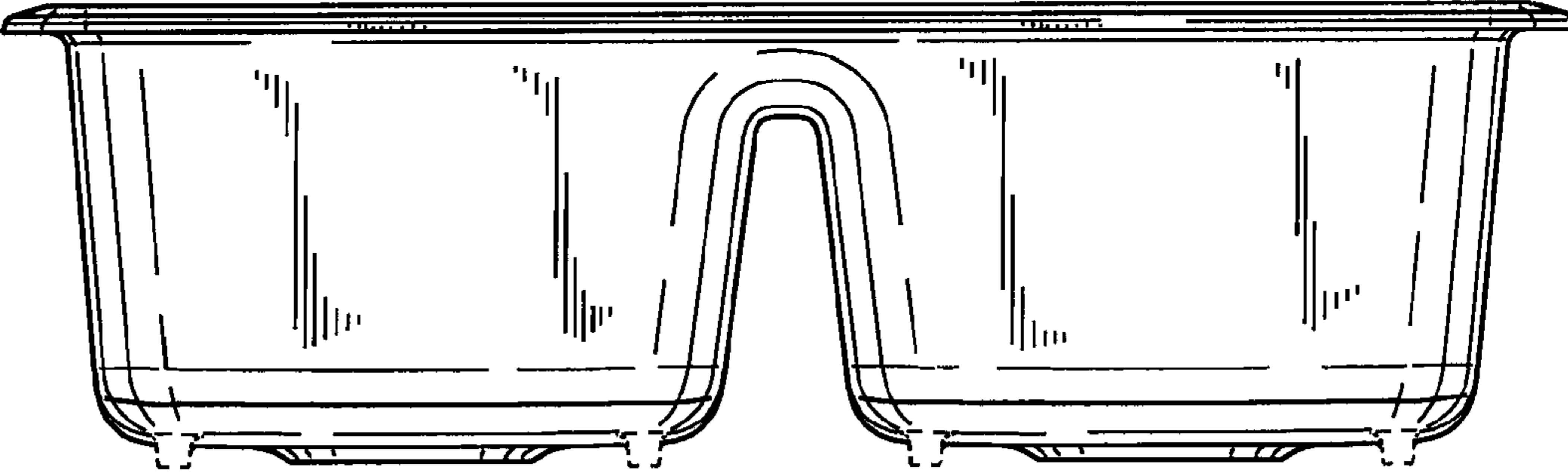


FIG. 3

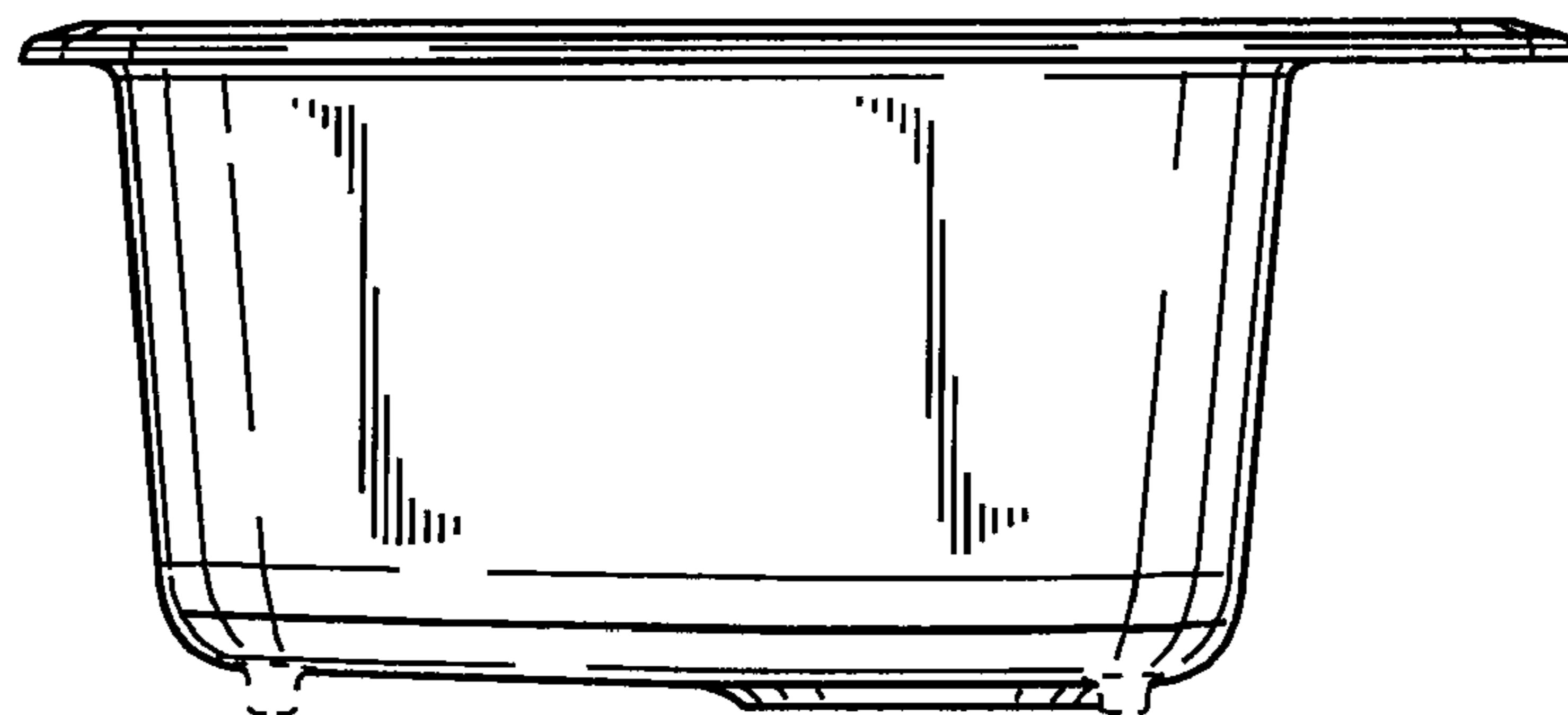


FIG. 4

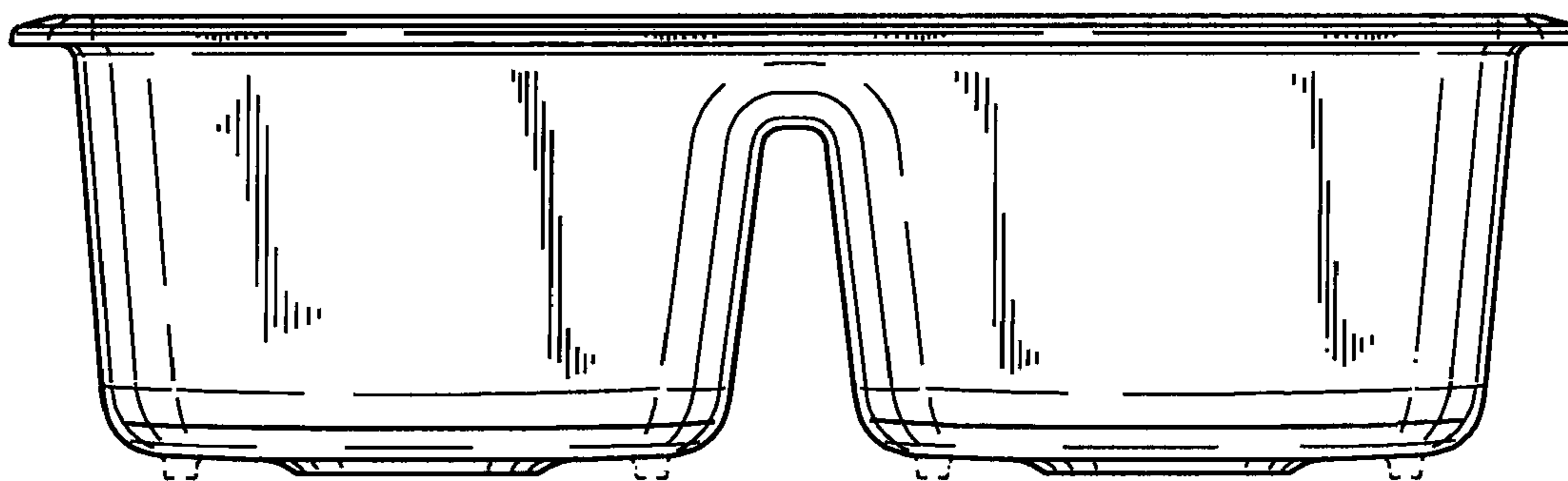


FIG. 5



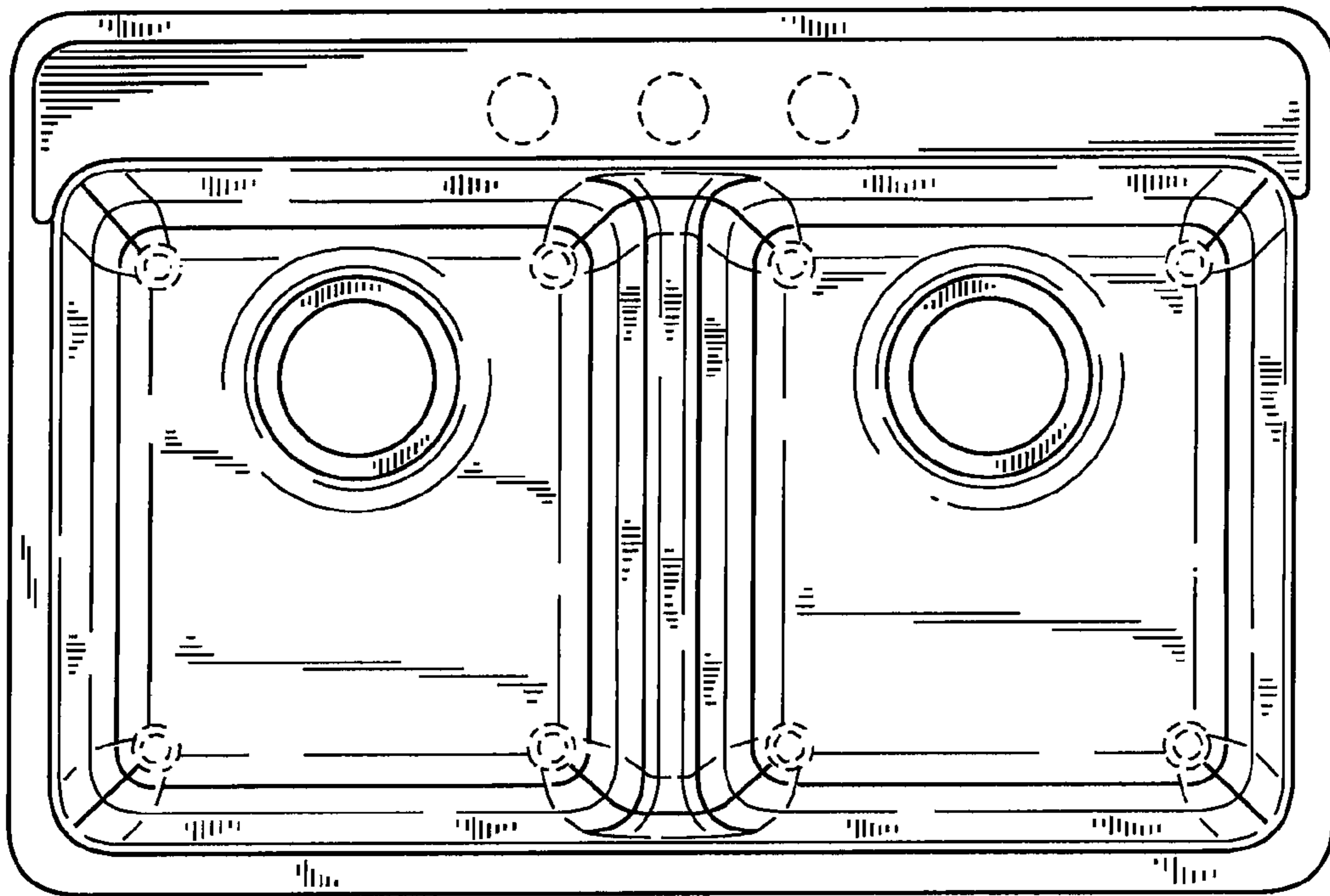


FIG. 6