



US00D601666S

(12) **United States Design Patent**
Tsai et al.

(10) **Patent No.:** **US D601,666 S**

(45) **Date of Patent:** **** Oct. 6, 2009**

(54) **ESCUTCHEON**

(75) Inventors: **Hsin-I Canny Tsai**, Sheboygan, WI (US); **Coralee S. Sandee**, Sheboygan, WI (US)

(73) Assignee: **Kohler Co.**, Kohler, WI (US)

(**) Term: **14 Years**

(21) Appl. No.: **29/279,122**

(22) Filed: **Apr. 19, 2007**

(51) **LOC (9) Cl.** **23-01**

(52) **U.S. Cl.** **D23/249**

(58) **Field of Classification Search** D23/238–243, D23/250–254, 249; 4/675–677; 137/801, 137/359; 16/110.1, 402; D8/300, 307–310, D8/350–358; D6/525, 546, 550, 800
See application file for complete search history.

(56) **References Cited**

U.S. PATENT DOCUMENTS

D192,804 S * 5/1962 Grieshaber D8/350
D568,445 S 5/2008 Tsai
D570,452 S * 6/2008 Tsai D23/249

FOREIGN PATENT DOCUMENTS

MX 24542 11/2007

OTHER PUBLICATIONS

Kohler Co. “Symbol transfer valve trim”. Model No. K-T18491-4.
Kohler Co. online catalog. Copyright 2007 Kohler Co.
Kohler Co. “Pinstripe Rite—Temp pressure—balancing bath and shower faucet trim”. Model No. K-T13133-4B. Kohler Co. online catalog. Copyright 2007 Kohler Co.
Kohler Co. Memoirs Rite—Temp pressure balancing bath and shower faucet trim with Stately design. Model No. K-T461-3S. Kohler Co. online catalog. Copyright 2007 Kohler Co.
Delta. “Award Collection”. Delta catalog, p. 13.

* cited by examiner

Primary Examiner—Robert A Delehanty

(74) *Attorney, Agent, or Firm*—Quarles & Brady LLP

(57) **CLAIM**

The ornamental design for an escutcheon, as shown and described.

DESCRIPTION

In a preferred embodiment, the nature of this product is as an escutcheon for a plumbing fitting such as a wall plate escutcheon for a shower and bath control.

FIG. 1 is a right, top, front perspective view of an escutcheon according to my new design;

FIG. 2 is a front elevational view thereof;

FIG. 3 is a right side elevational view thereof, the left side elevational view thereof being a mirror image of the right side shown;

FIG. 4 is a top plan view thereof;

FIG. 5 is a bottom plan view thereof;

FIG. 6 is a rear elevational view thereof;

FIG. 7 is a right, top, front perspective view of an escutcheon according to another embodiment of my new design;

FIG. 8 is a front elevational view thereof;

FIG. 9 is a right side elevational view thereof, the left side elevational view thereof being a mirror image of the right side shown;

FIG. 10 is a top plan view thereof;

FIG. 11 is a bottom plan view thereof; and,

FIG. 12 is a rear elevational view thereof.

The broken line representations in the figures are for the purpose of illustration only, and form no part of the claimed design.

1 Claim, 5 Drawing Sheets

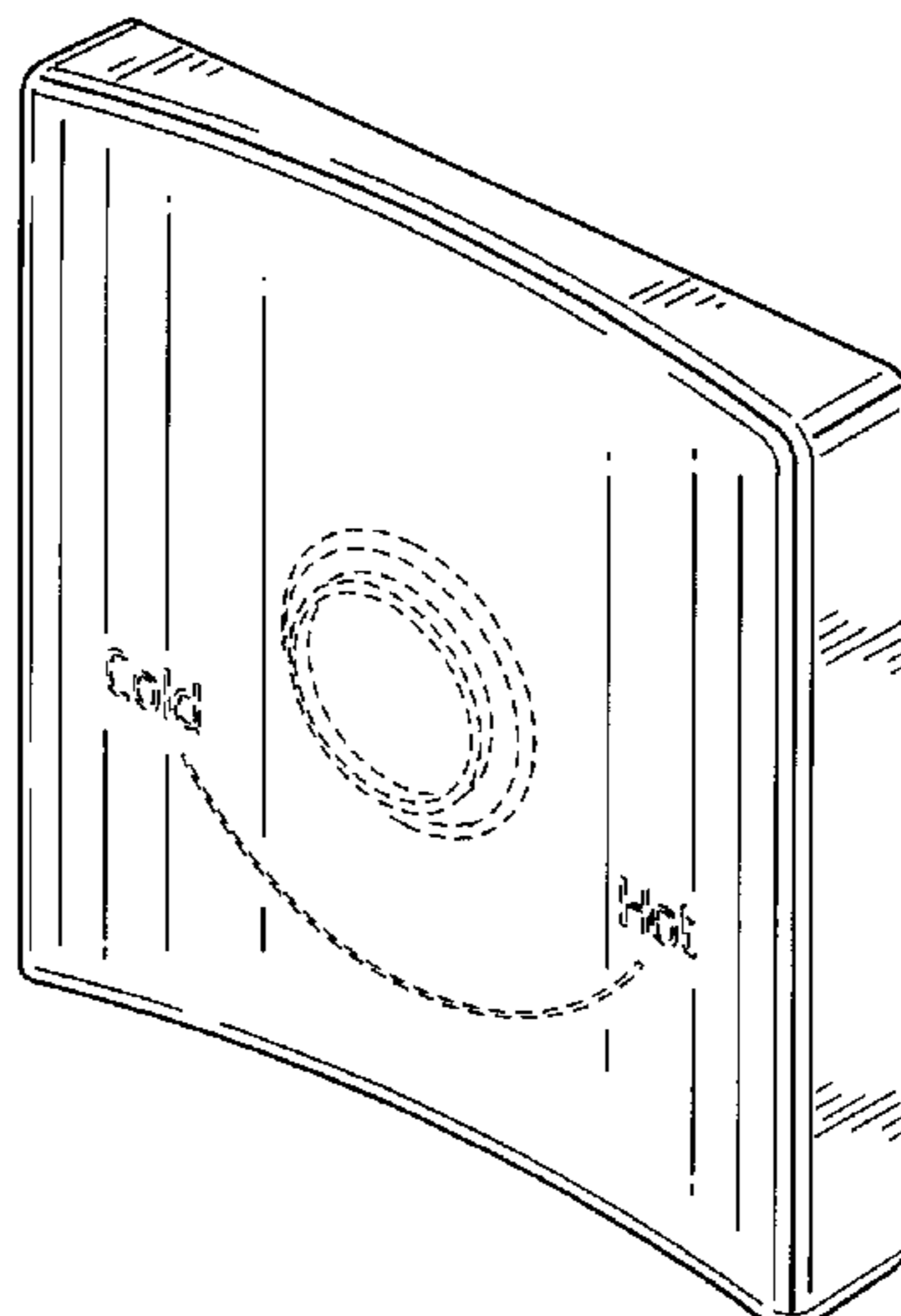


FIG. 1

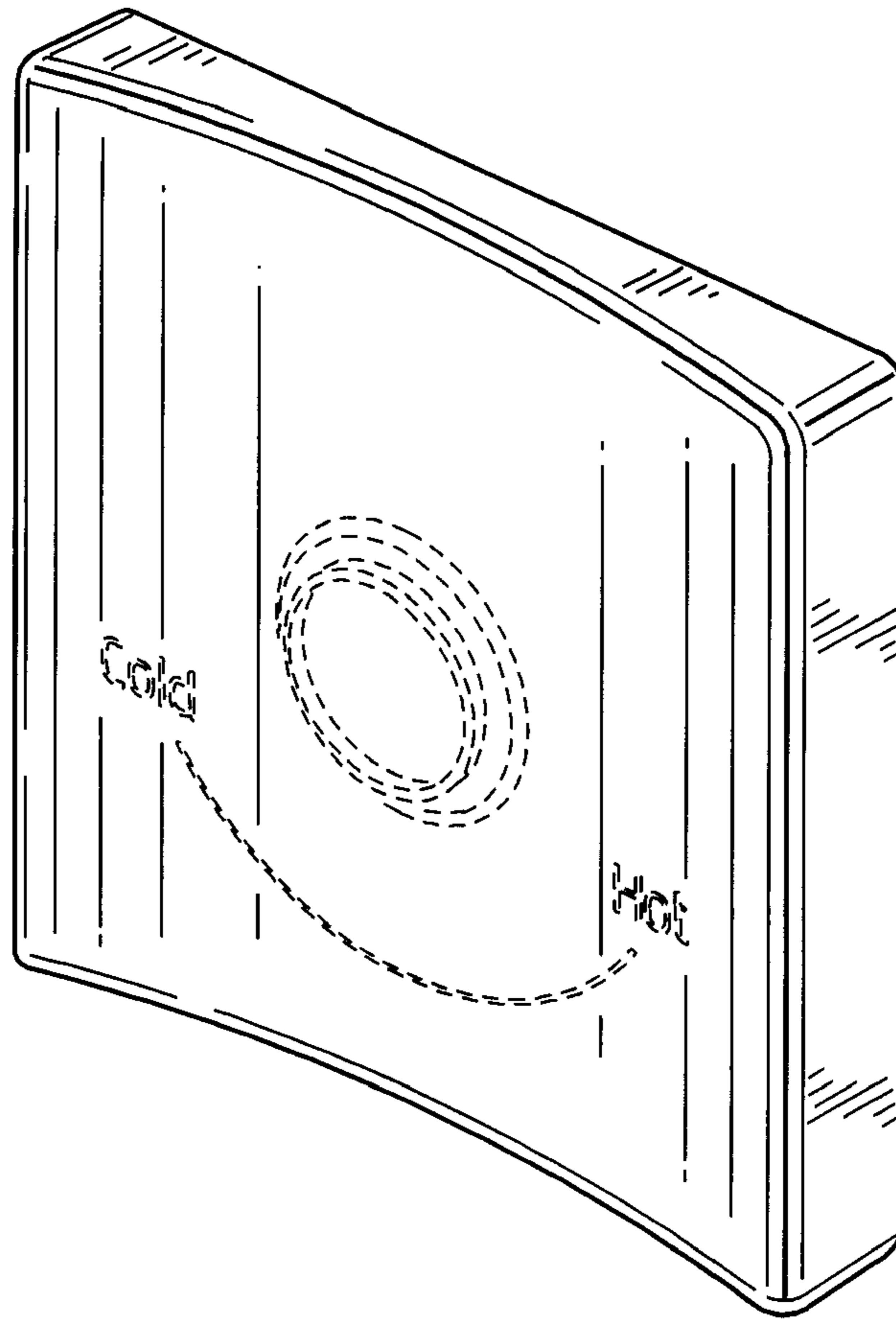


FIG. 2

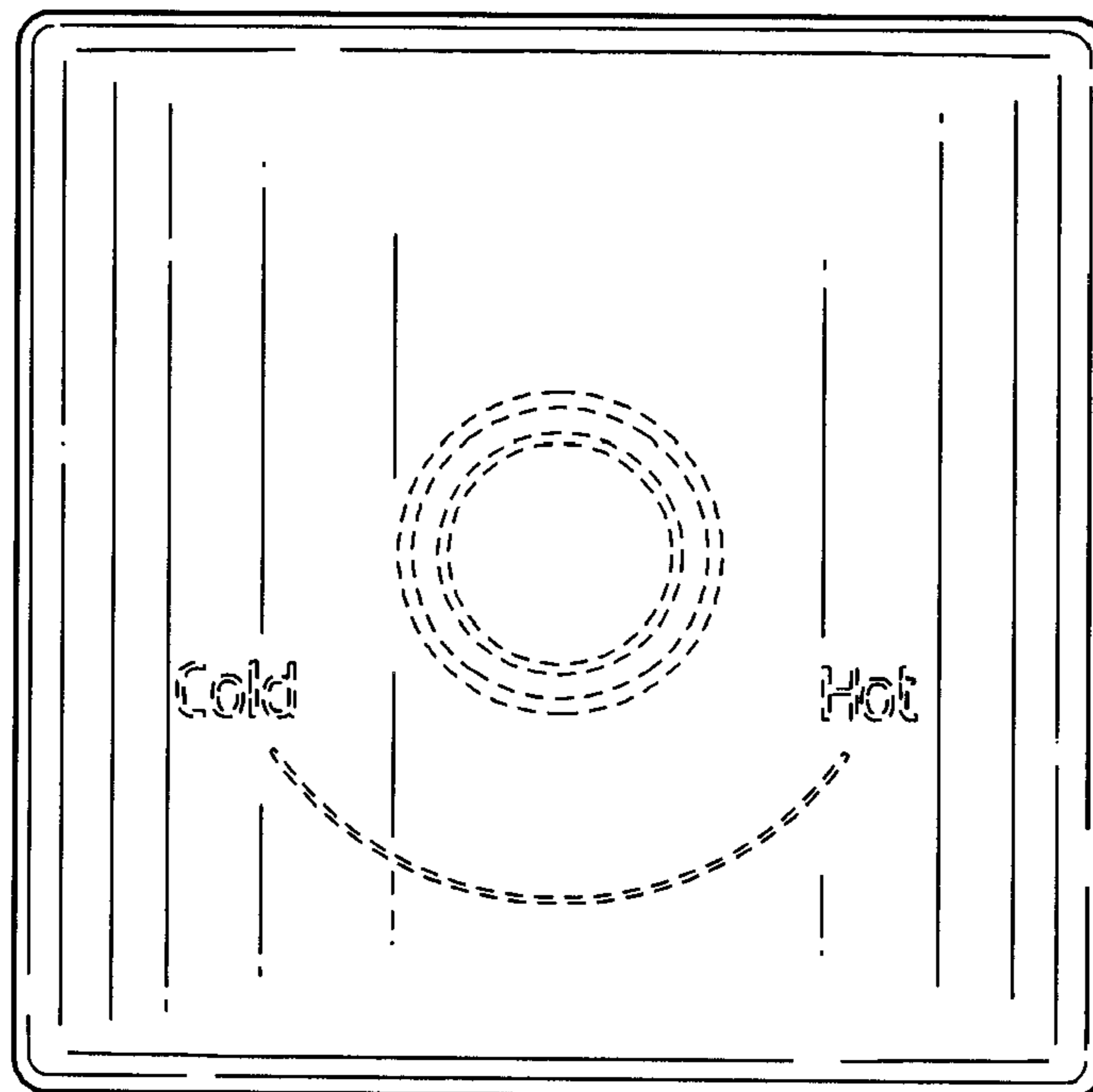


FIG. 3

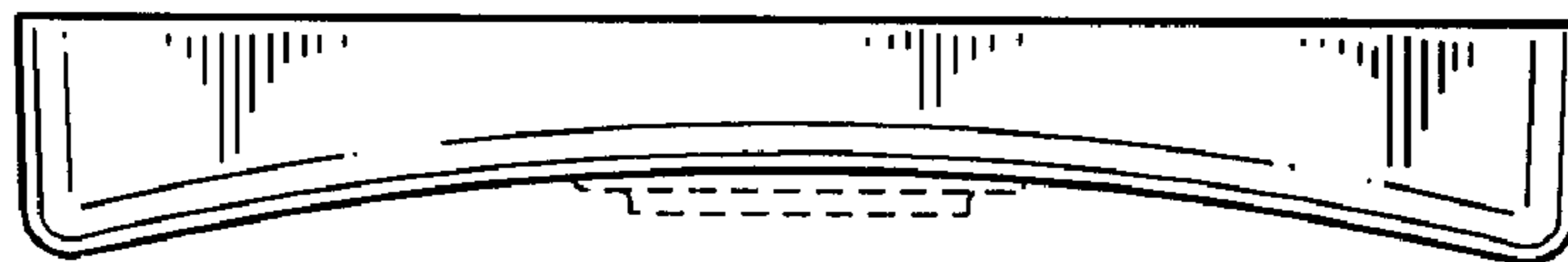
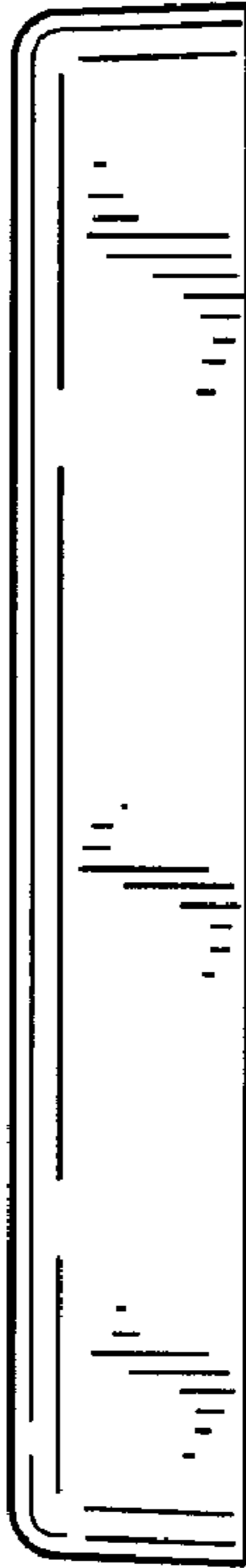


FIG. 4

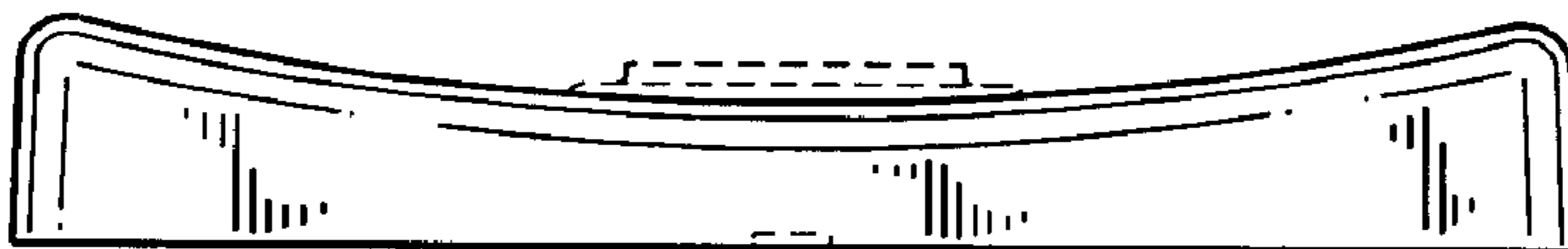


FIG. 5

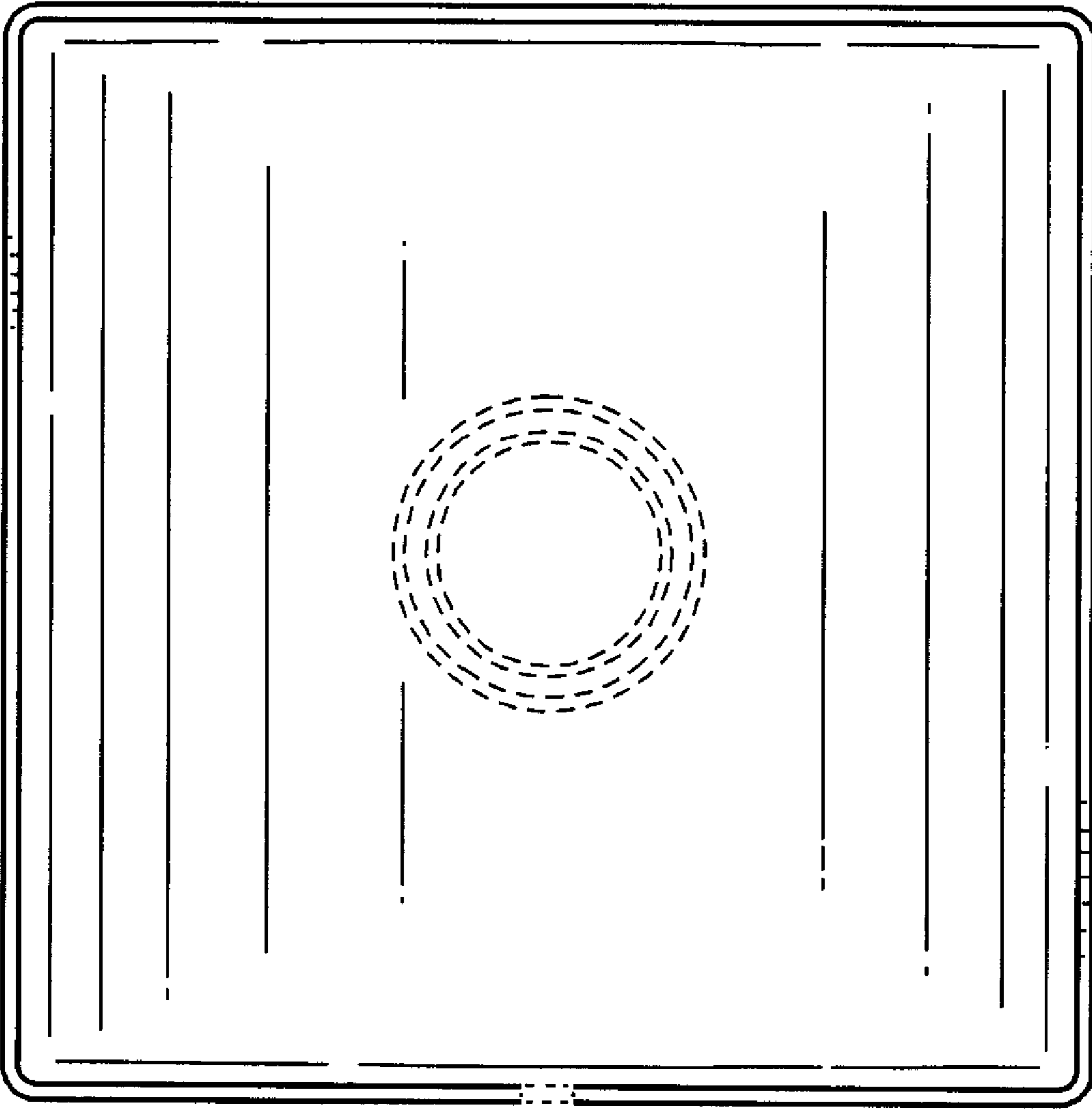


FIG. 6

FIG. 7

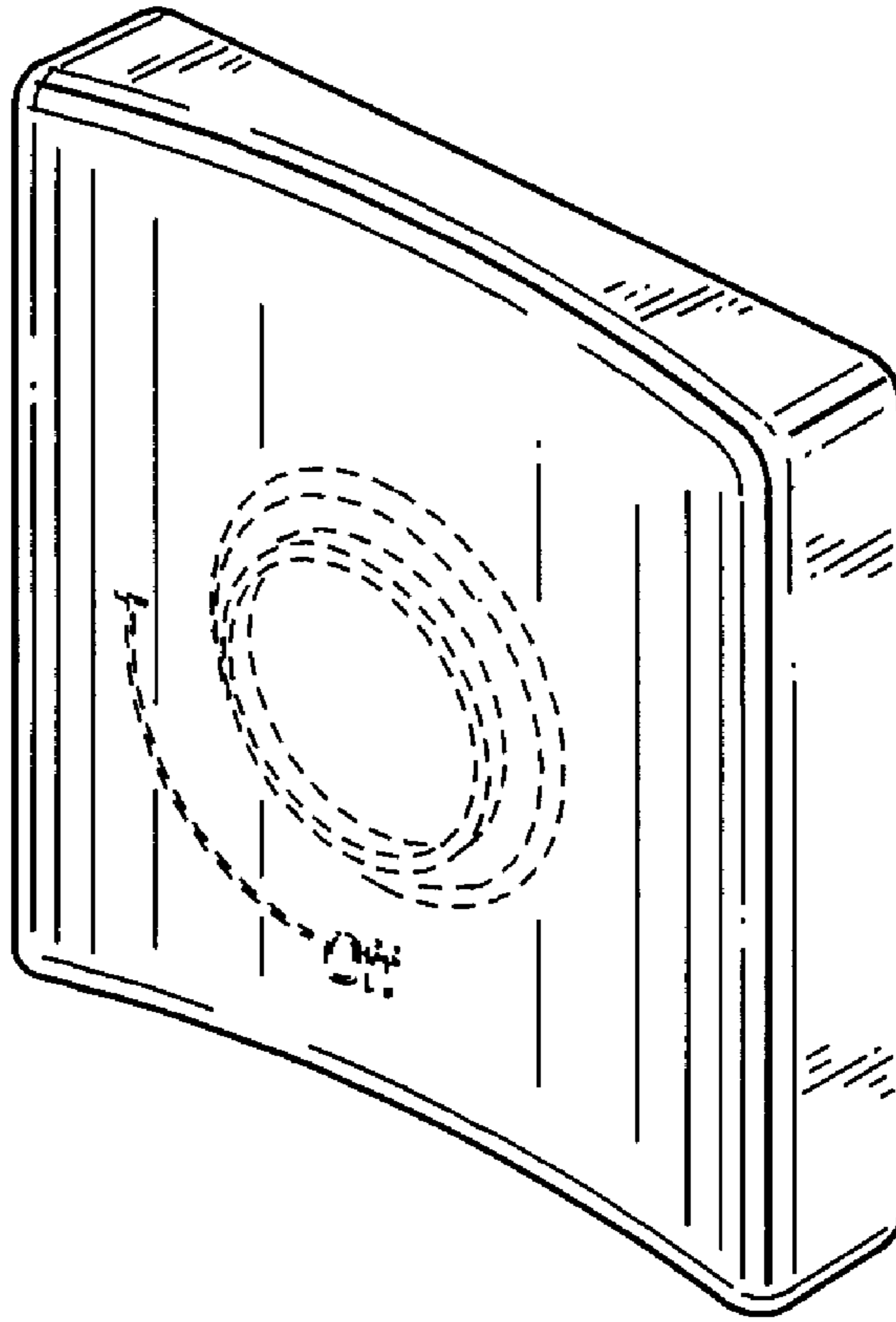


FIG. 8

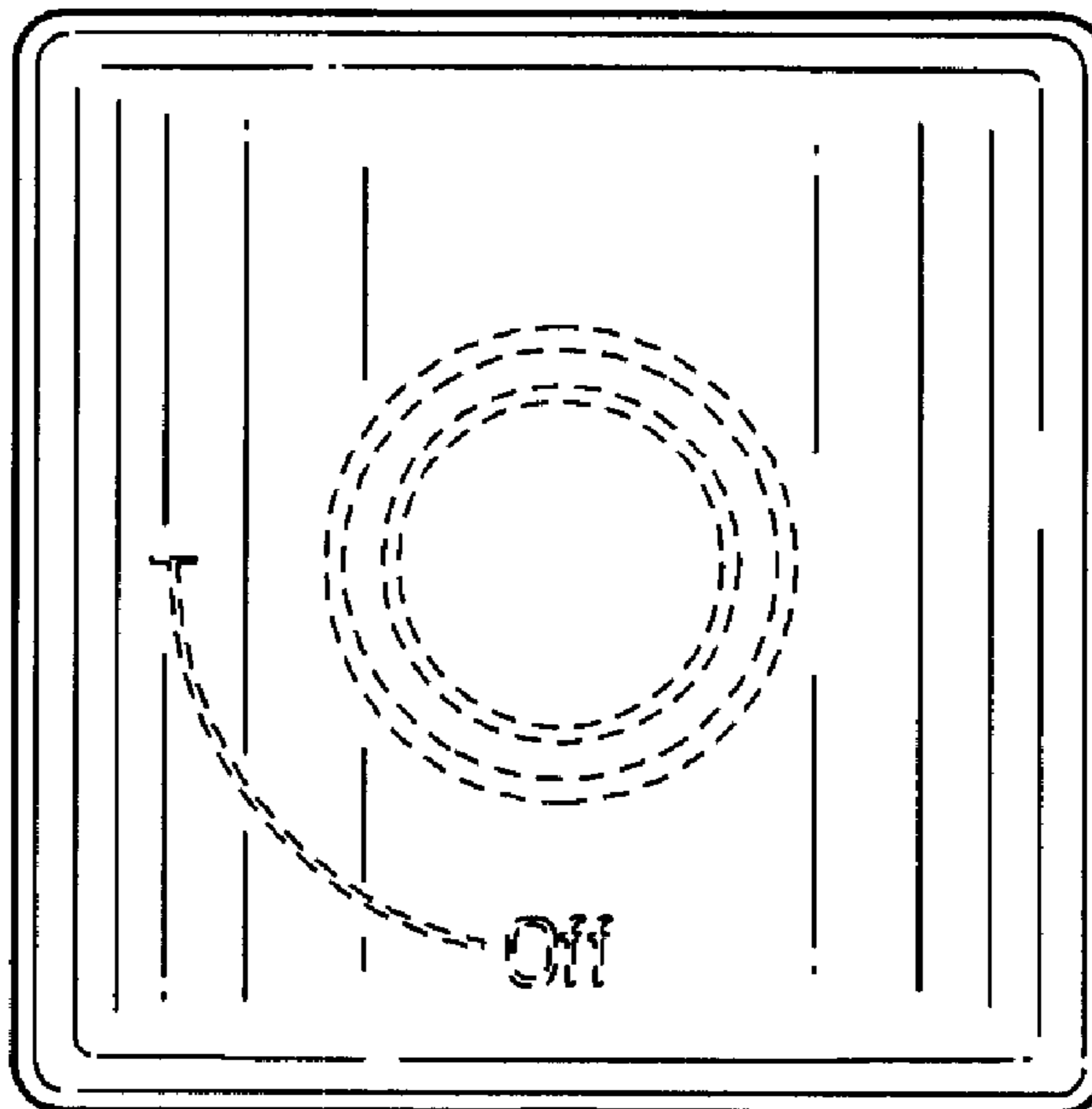


FIG. 9

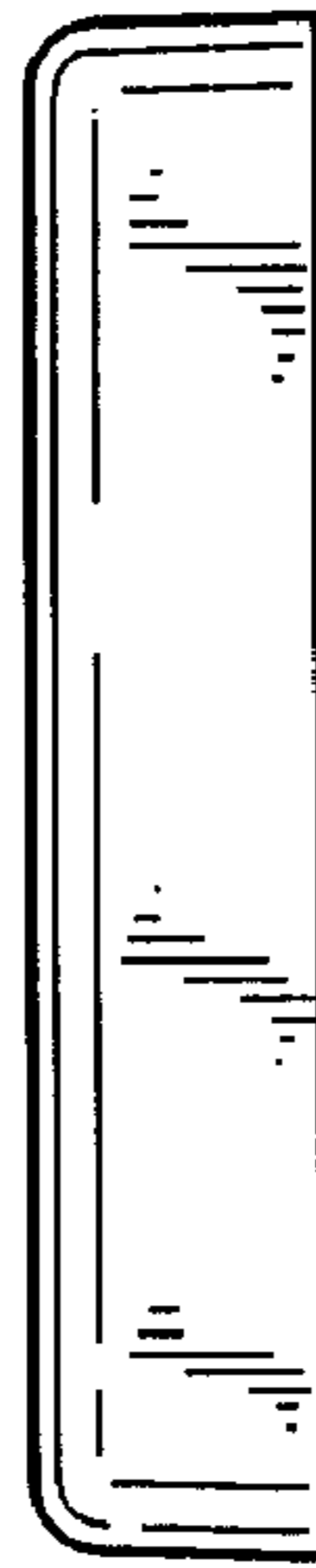


FIG. 10

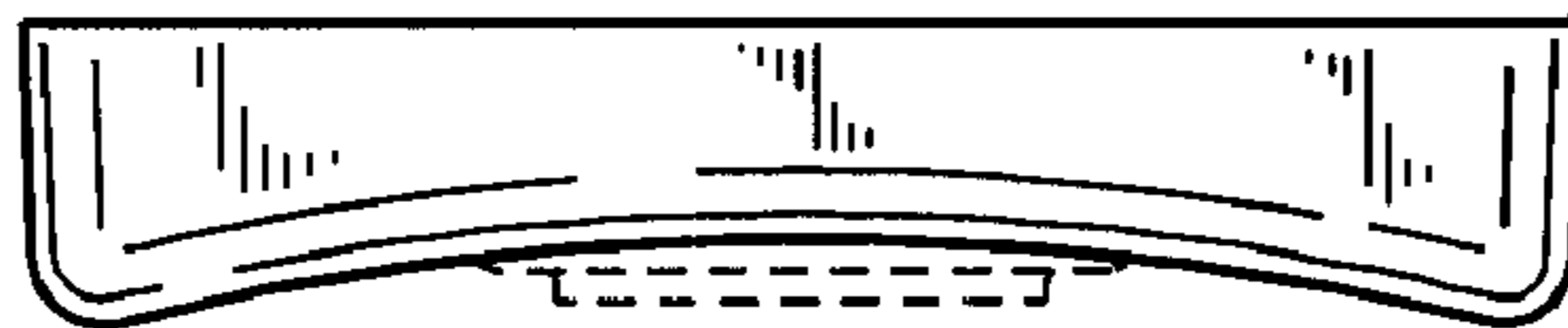


FIG. 11

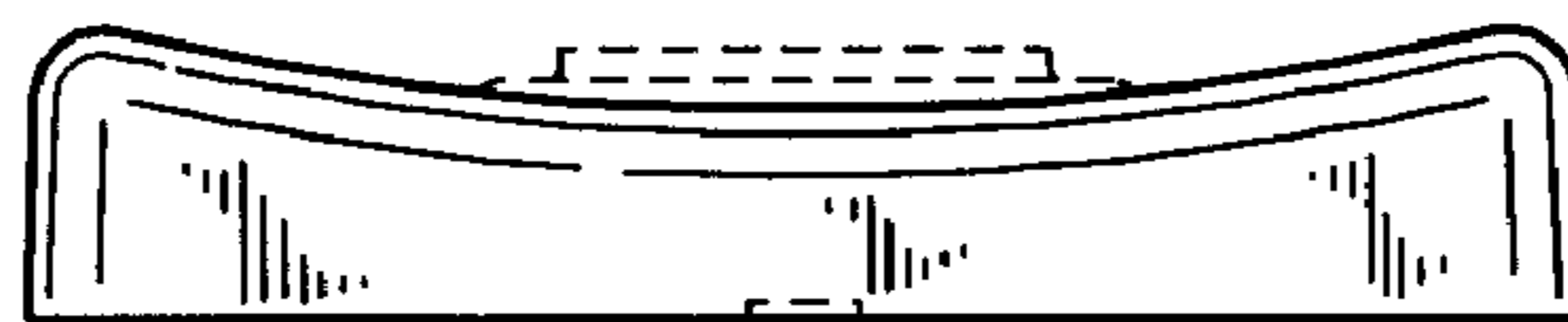
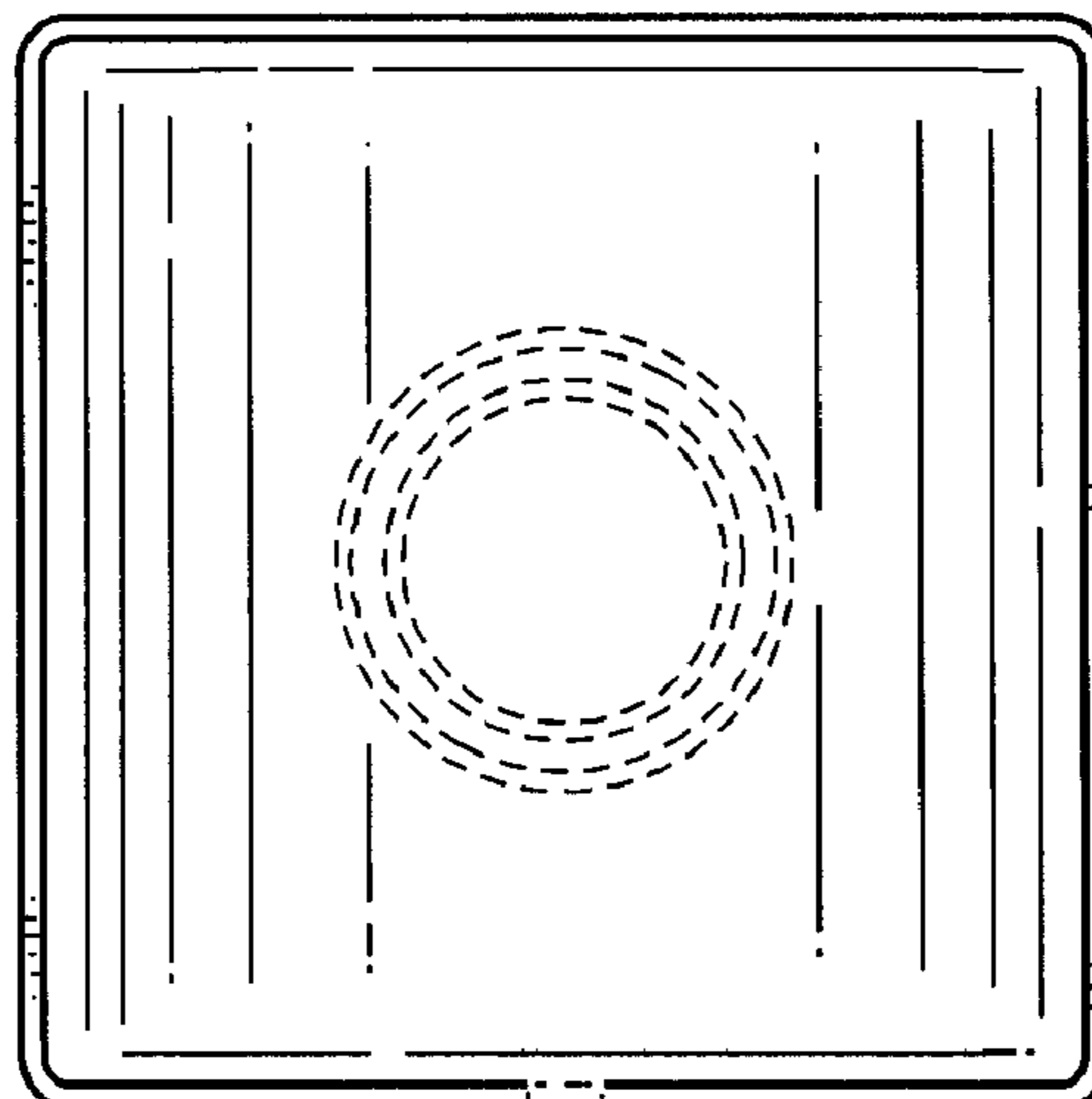


FIG. 12



UNITED STATES PATENT AND TRADEMARK OFFICE
CERTIFICATE OF CORRECTION

PATENT NO. : Des. 601,666 S
APPLICATION NO. : 29/279122
DATED : October 6, 2009
INVENTOR(S) : Hsin-I Ciny Tsai and Coralee S. Sandee

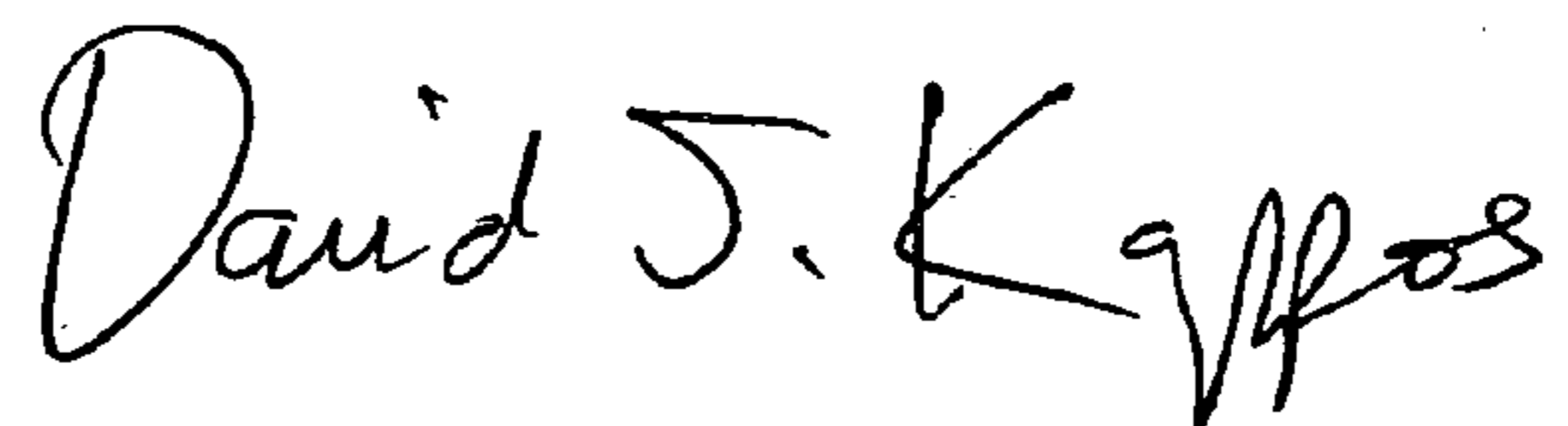
Page 1 of 1

It is certified that error appears in the above-identified patent and that said Letters Patent is hereby corrected as shown below:

On the Title Page, please replace [Term: 14 Years] with --This patent is subject to a terminal disclaimer.--

Signed and Sealed this

Fifteenth Day of December, 2009

A handwritten signature in black ink that reads "David J. Kappos". The signature is written in a cursive, flowing style.

David J. Kappos
Director of the United States Patent and Trademark Office