



US00D601665S

(12) **United States Design Patent**
Soulier

(10) **Patent No.:** **US D601,665 S**

(45) **Date of Patent:** **** Oct. 6, 2009**

(54) **PLUMBING FITTING**

(75) Inventor: **Jean-Hugues Soulier**, Paris (FR)

(73) Assignee: **Kohler France SAS**, Paris (FR)

(**) Term: **14 Years**

(21) Appl. No.: **29/284,132**

(22) Filed: **Aug. 31, 2007**

(51) **LOC (9) Cl.** **23-01**

(52) **U.S. Cl.** **D23/242**

(58) **Field of Classification Search** D23/239–243,
D23/250–254, 255–257; 4/675–678; 137/801;
16/110.1; D8/300, 307–312; D6/512, 524,
D6/546, 550

See application file for complete search history.

(56) **References Cited**

U.S. PATENT DOCUMENTS

D299,851 S 2/1989 Rademacher
5,979,776 A * 11/1999 Williams 4/676
D525,346 S 7/2006 Kulig
D585,526 S * 1/2009 Kohler et al. D23/250
D585,965 S * 2/2009 Kohler et al. D23/255

FOREIGN PATENT DOCUMENTS

EM 000111414-0001 11/2005

OTHER PUBLICATIONS

Kohler Co. "Laminar Lavatory". Kohler catalog, p. 4.16 Bath & Powder Room Faucets. Copyright 2004 Kohler Co.
Jacob Delafon. "Ultimaginko lavatory". Model No. E71899. Jacob Delafon online catalog. Date located Jun. 22, 2007.
Zizzeri Noox. Lavatory. Lavabo online catalog.
FIMA (Carlo Frattini) Rubinetteria. "Maxima". Model 5321. FIMA (Carlo Frattini) Rubinetteria online catalog. Earliest date known Dec. 17, 2004.
FIMA (Carlo Frattini) Rubinetteria. "Spillo", Model 3241. FIMA (Carlo Frattini) Rubinetteria online catalog. Earliest date known Dec. 17, 2004.

* cited by examiner

Primary Examiner—Robert A Delehanty

(74) *Attorney, Agent, or Firm*—Quarles & Brady LLP

(57) **CLAIM**

The ornamental design for a plumbing fitting, as shown and described.

DESCRIPTION

In a preferred embodiment, the nature of this product is a plumbing fitting in the form of a wall mounted faucet.

FIG. 1 is a left, top, front perspective view of a plumbing fitting according to my new design;

FIG. 2 is a front elevational view thereof;

FIG. 3 is a top plan view thereof;

FIG. 4 is a left side elevational view thereof;

FIG. 5 is a right side elevational view thereof;

FIG. 6 is a bottom plan view thereof;

FIG. 7 is a rear elevational view thereof;

FIG. 8 is a right, top, front perspective view of a plumbing fitting according to another embodiment of my new design having views that are mirror images of the views shown in FIGS. 2–7;

FIG. 9 is a left, top, front perspective view of a plumbing fitting according to another embodiment of my new design;

FIG. 10 is a front elevational view thereof;

FIG. 11 is a top plan view thereof;

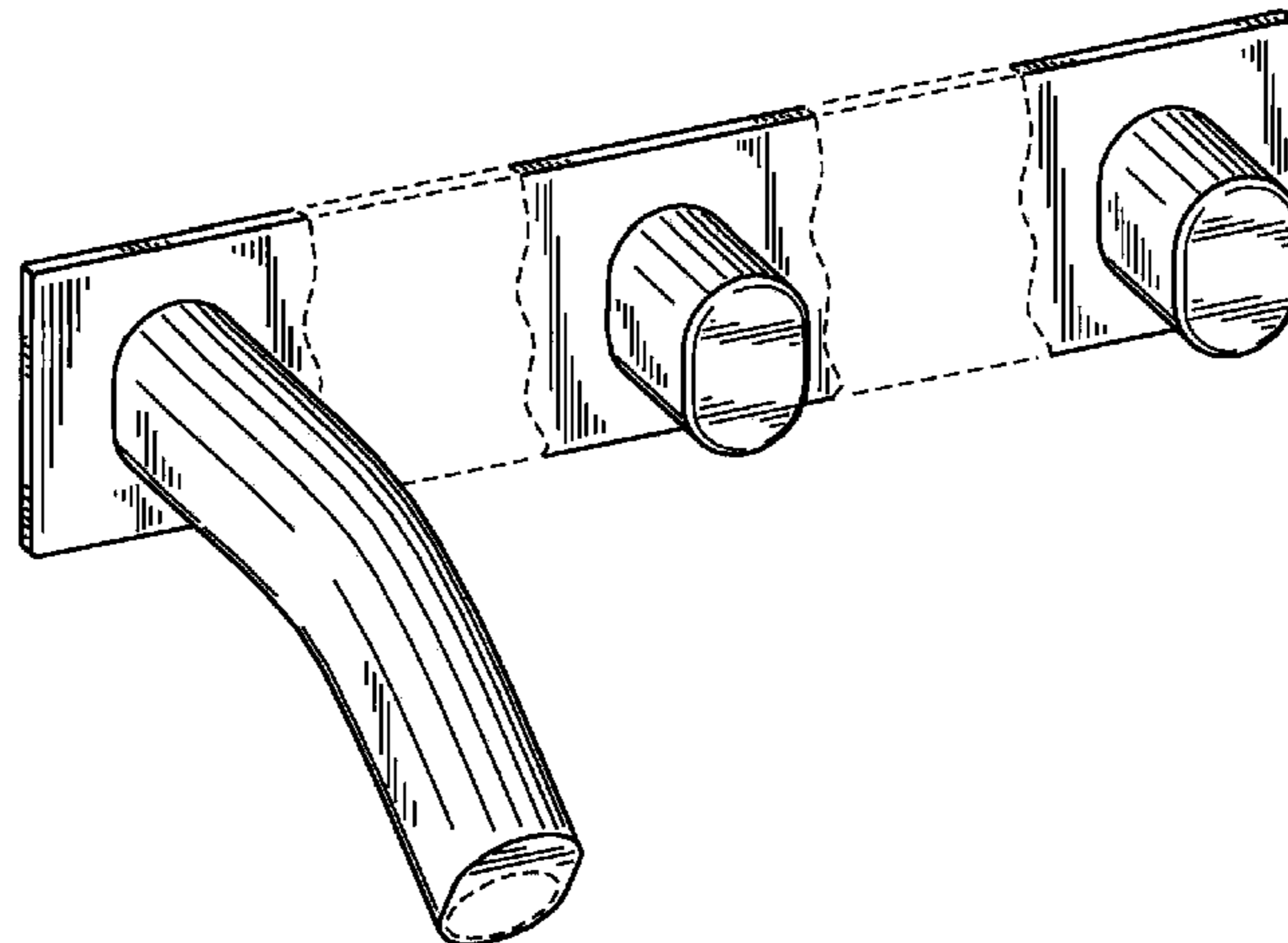
FIG. 12 is a left side elevational view thereof, the right side elevational view thereof being a mirror image of the left side shown;

FIG. 13 is a bottom plan view thereof; and,

FIG. 14 is a rear elevational view thereof.

The broken line representations in the figures are for the purpose of illustration and/or to define variable spatial relationships between the claimed features of the design, and thus themselves form no part of the claimed design.

1 Claim, 9 Drawing Sheets



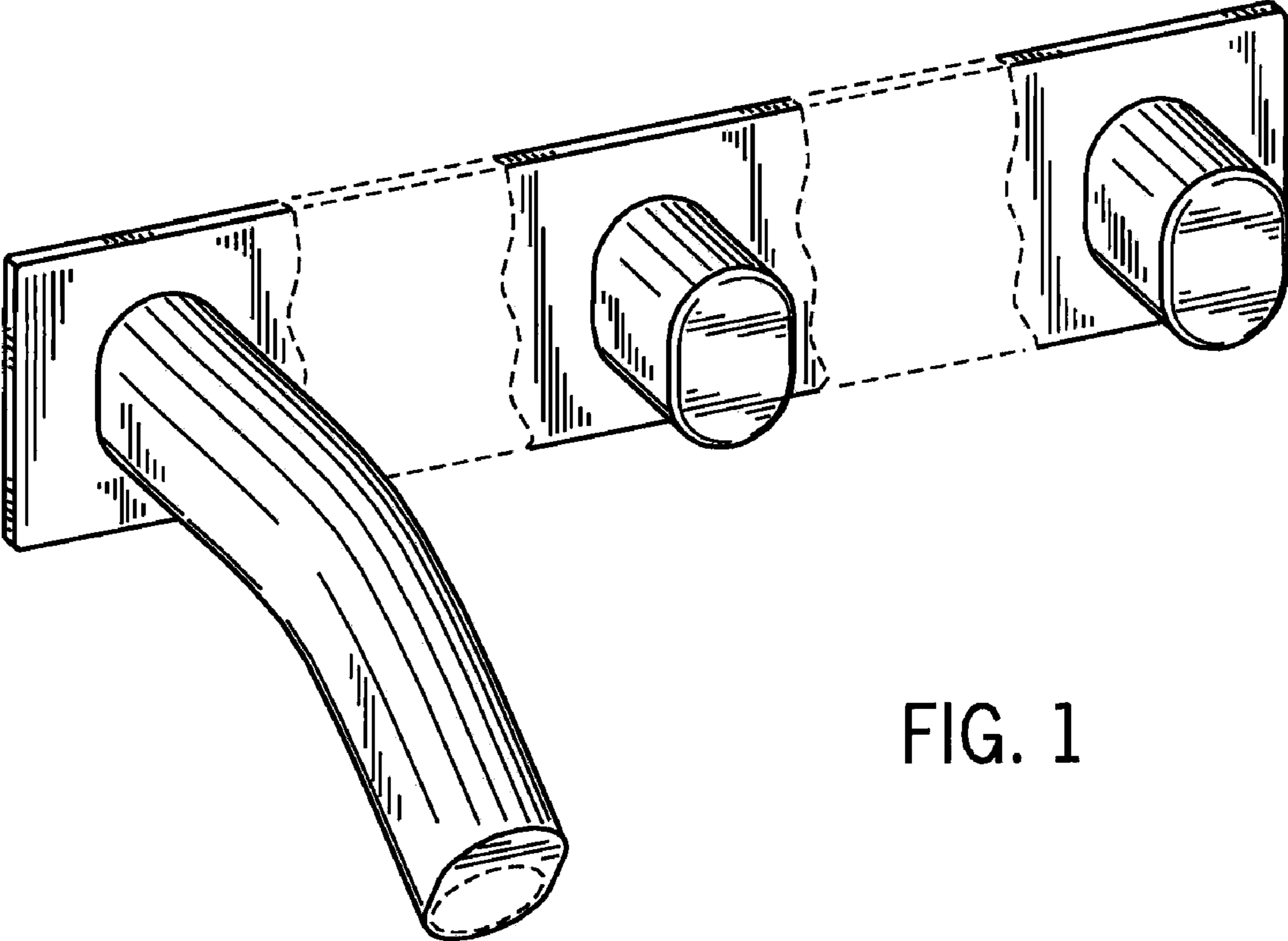


FIG. 1

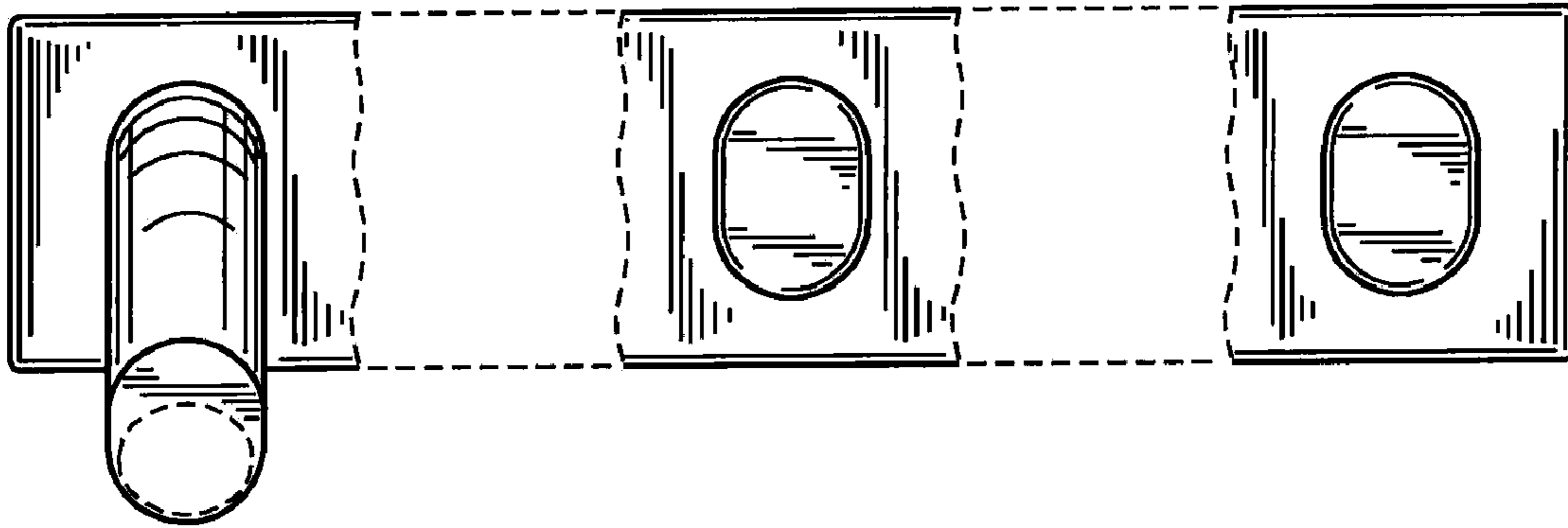


FIG. 2

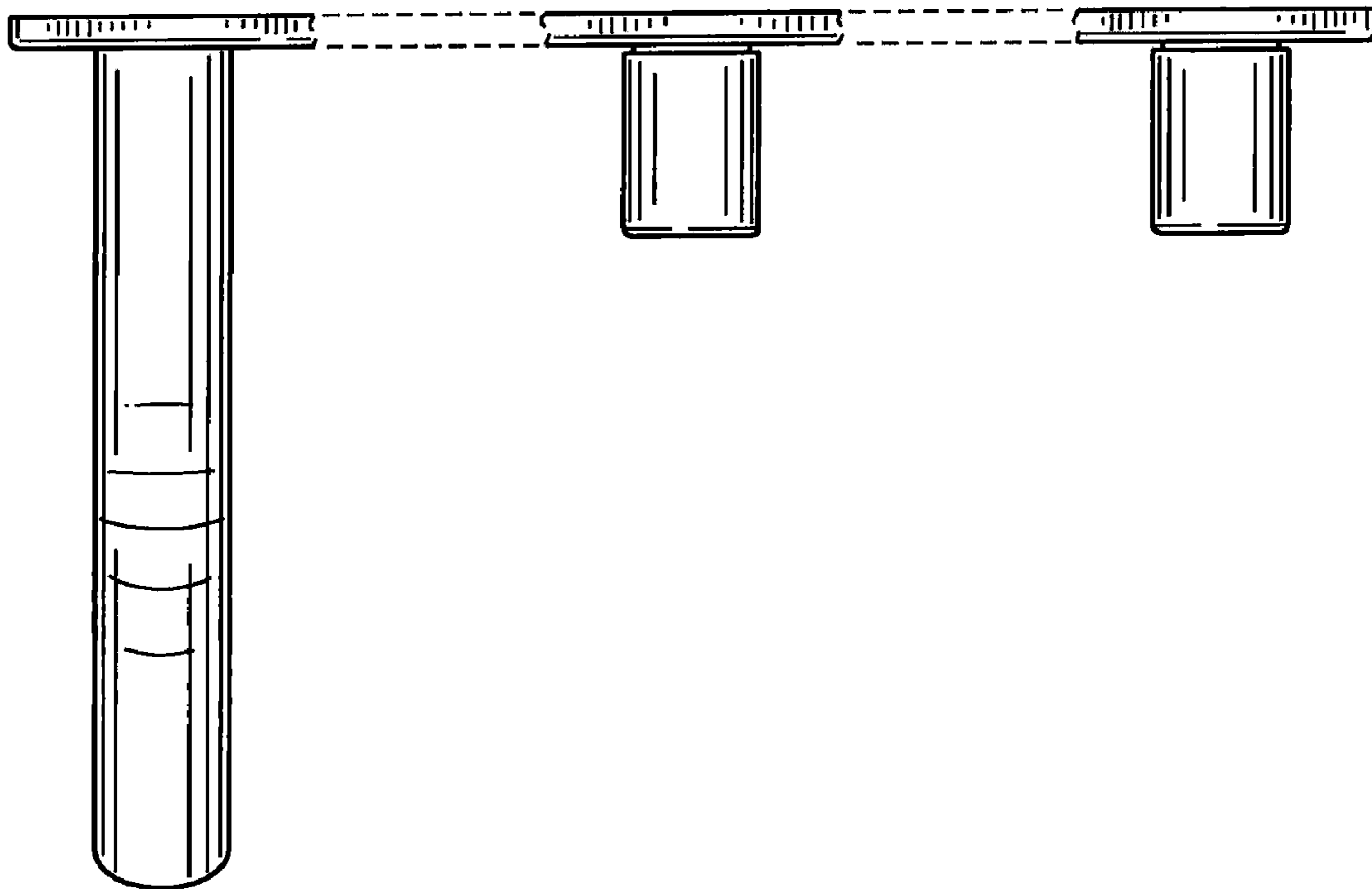


FIG. 3

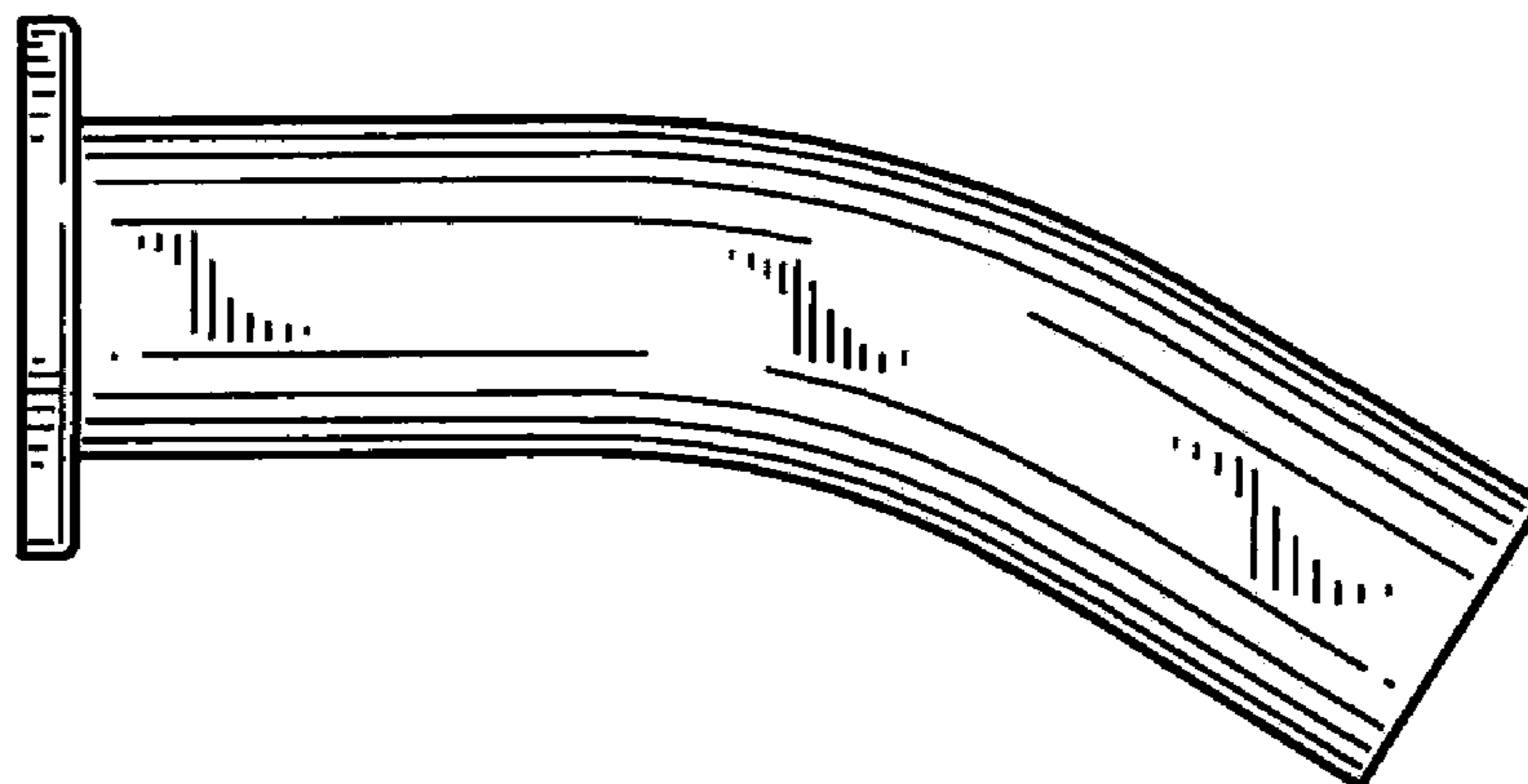


FIG. 4

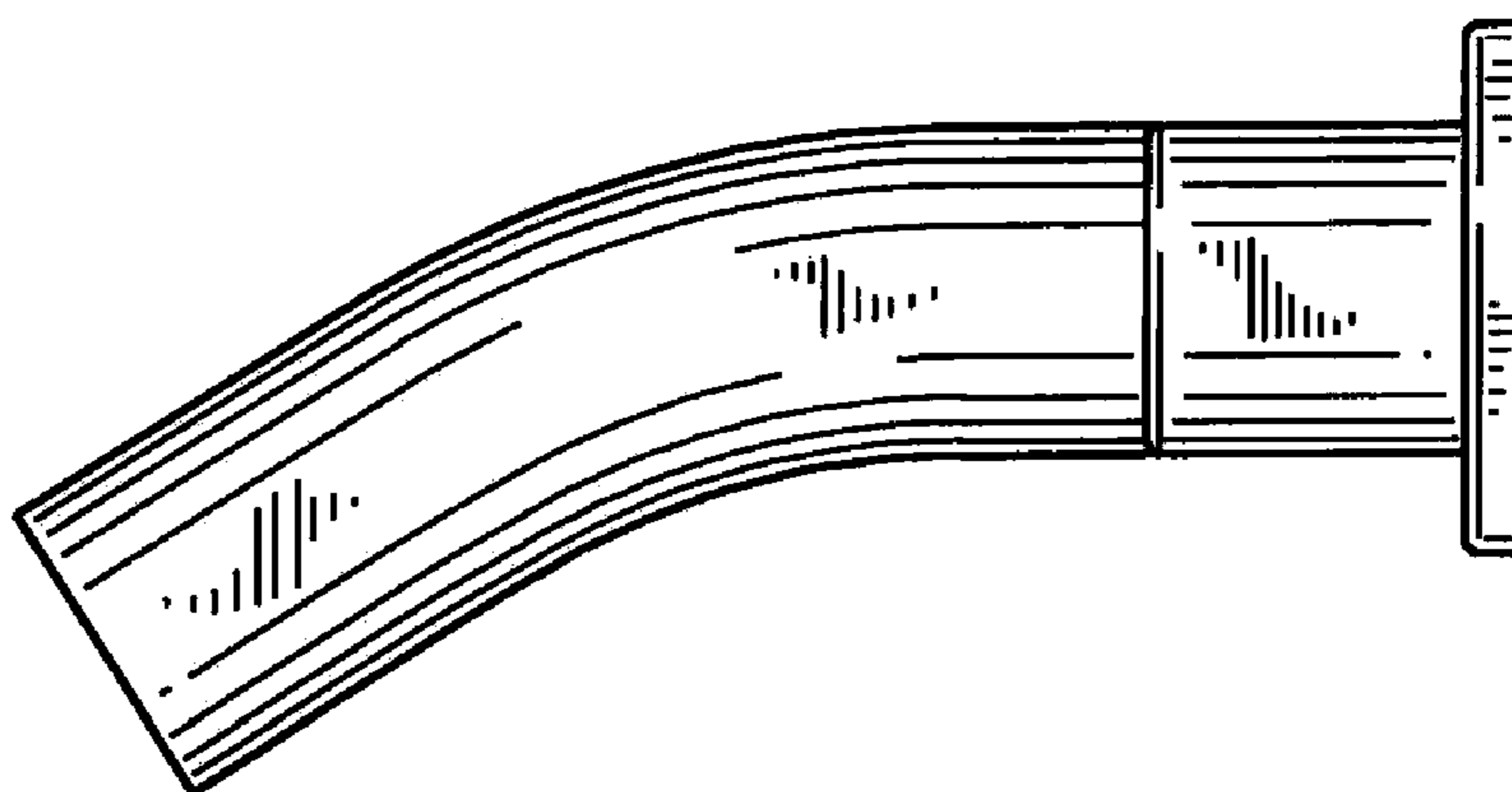


FIG. 5

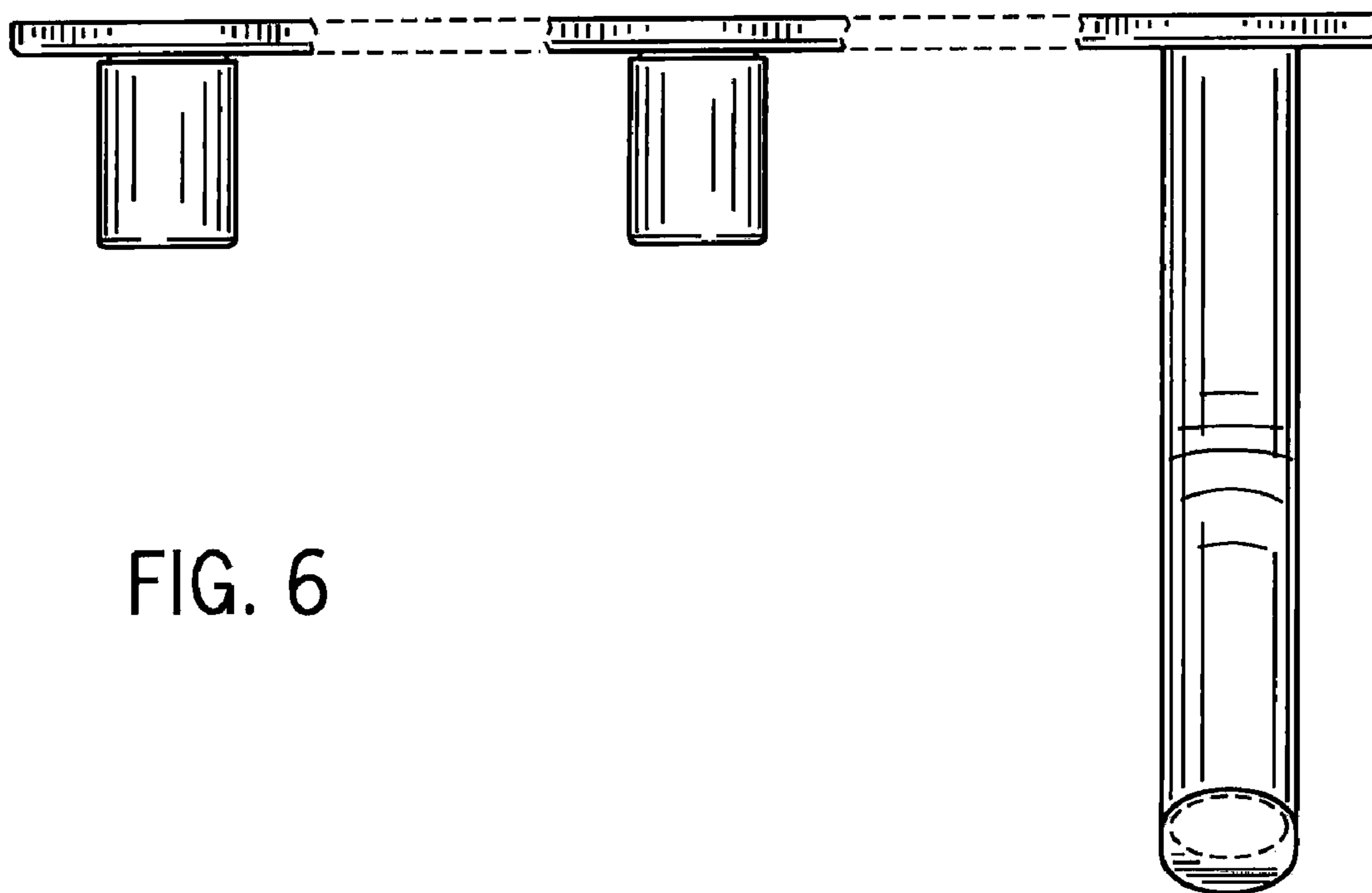


FIG. 6

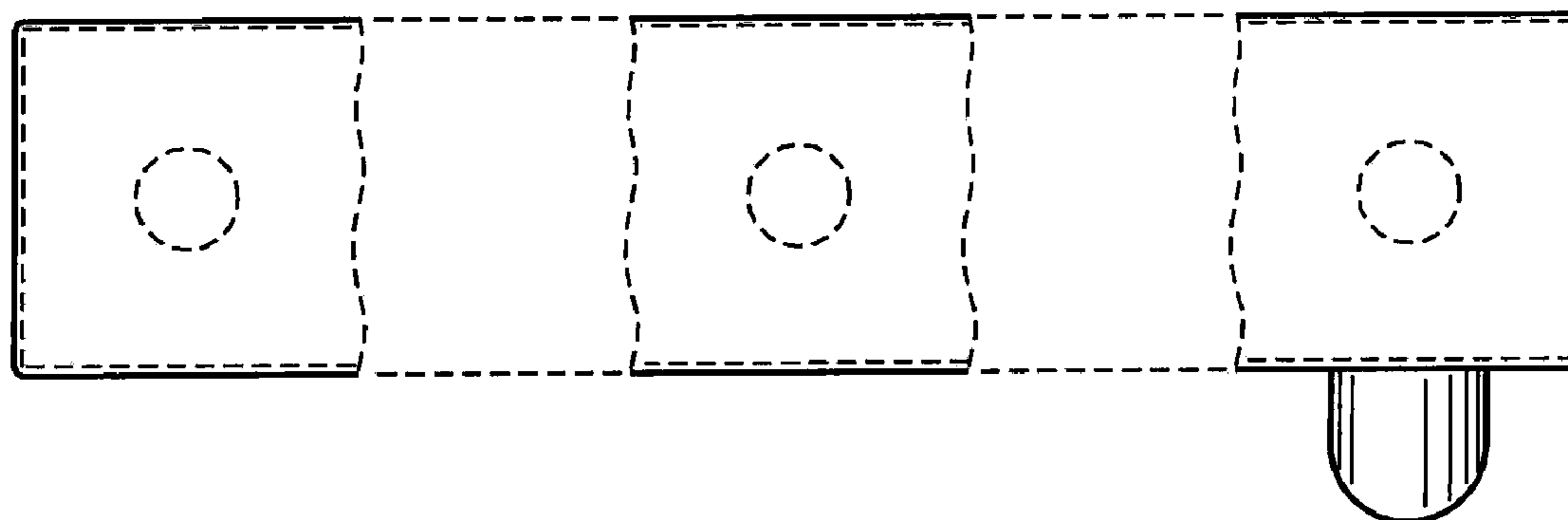


FIG. 7

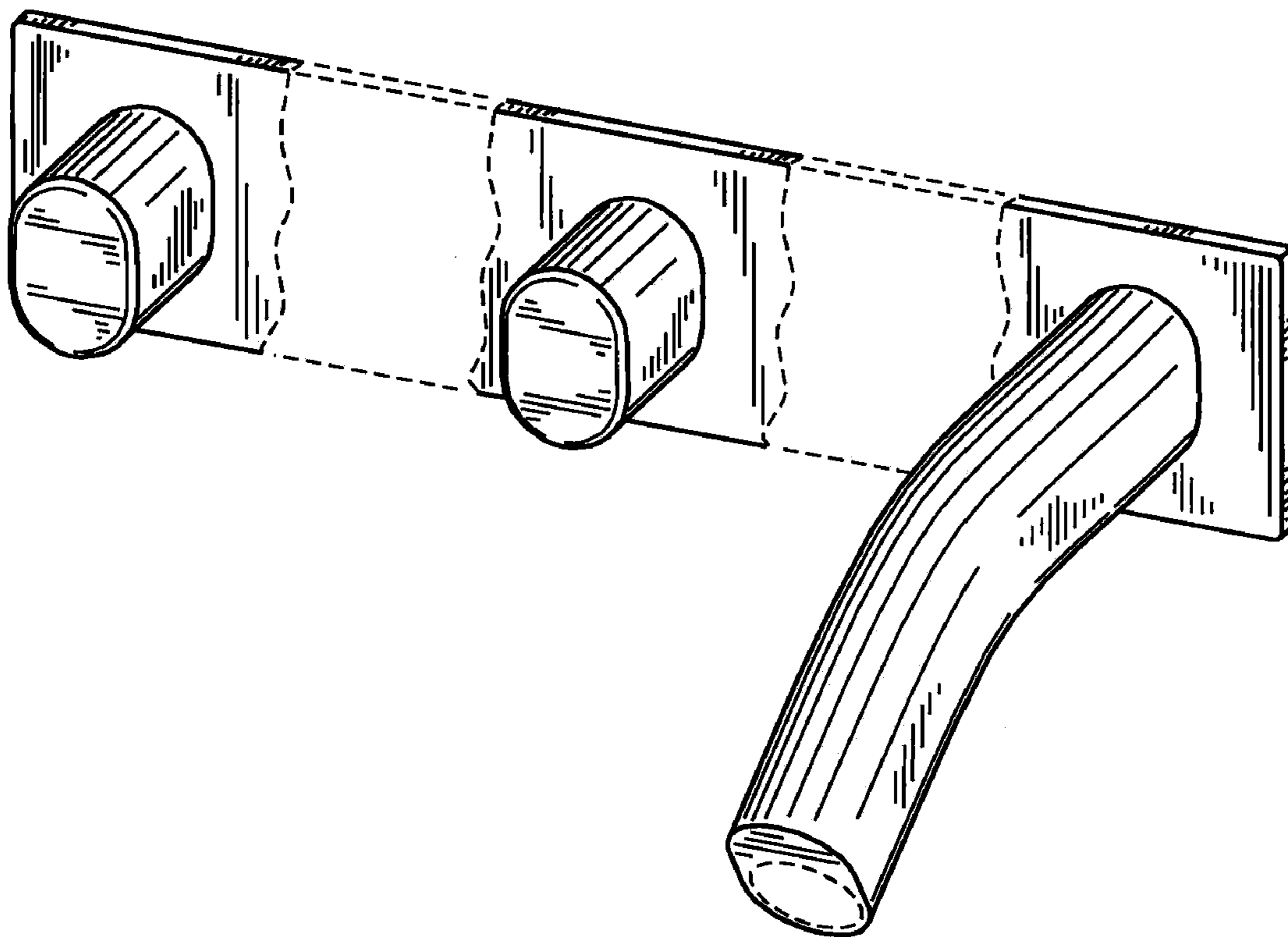


FIG. 8

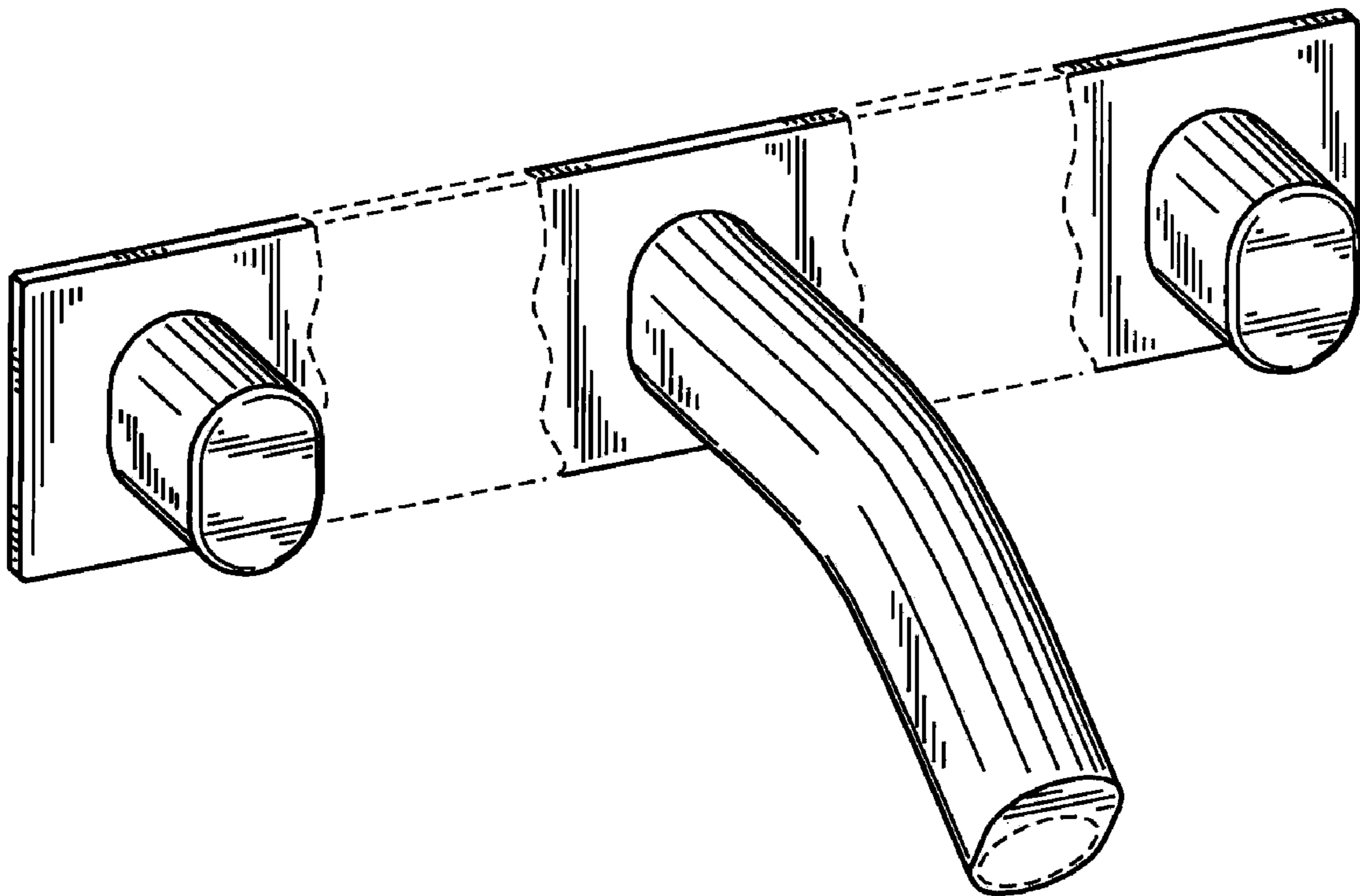


FIG. 9

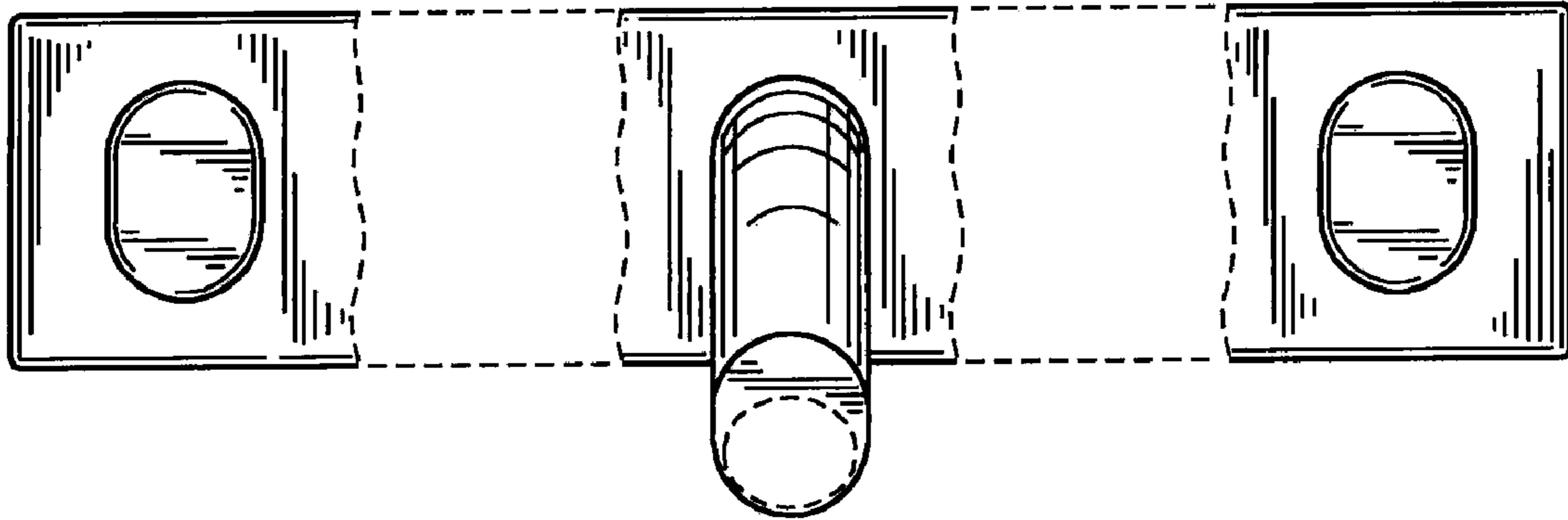


FIG. 10

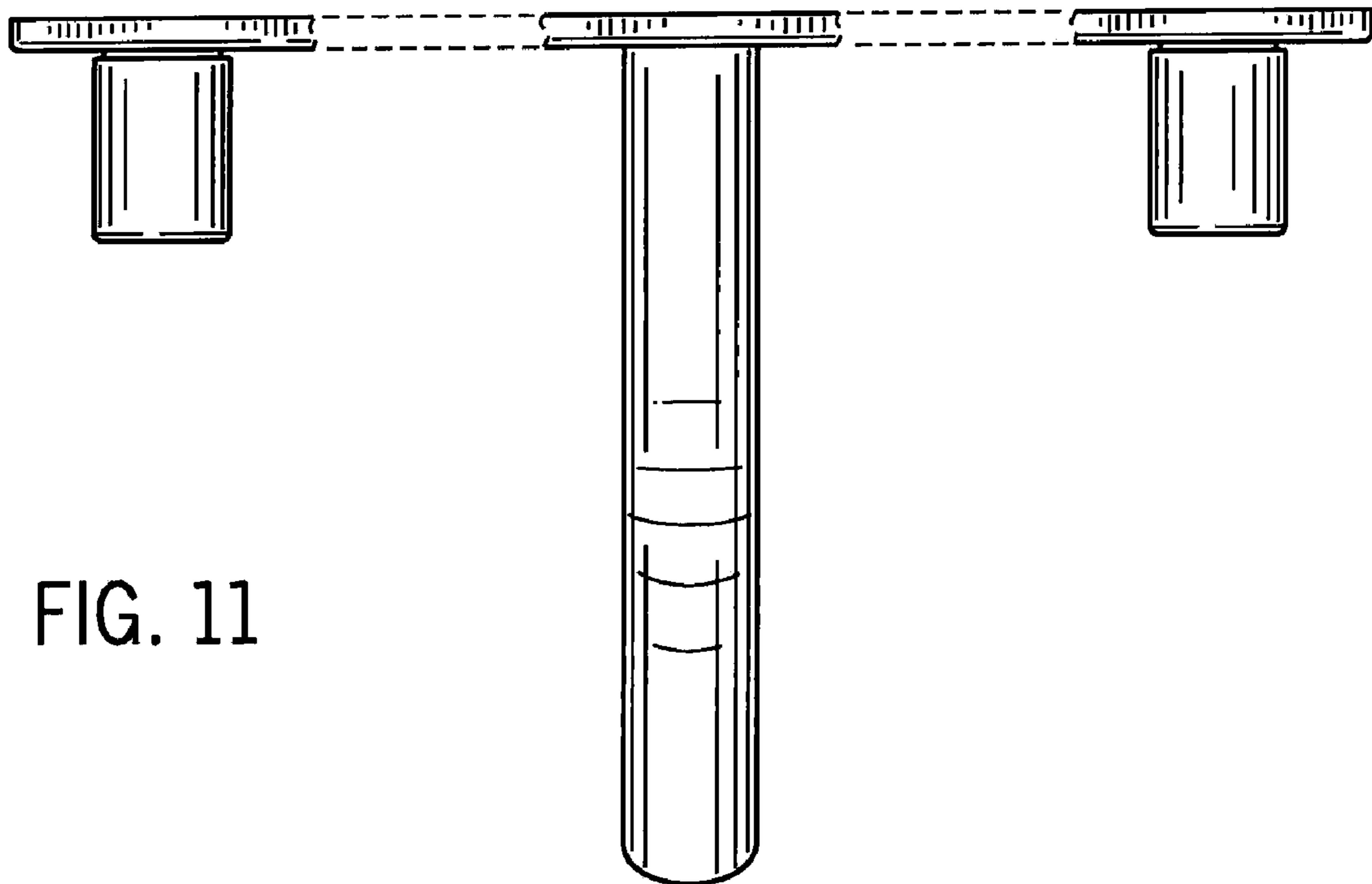


FIG. 11

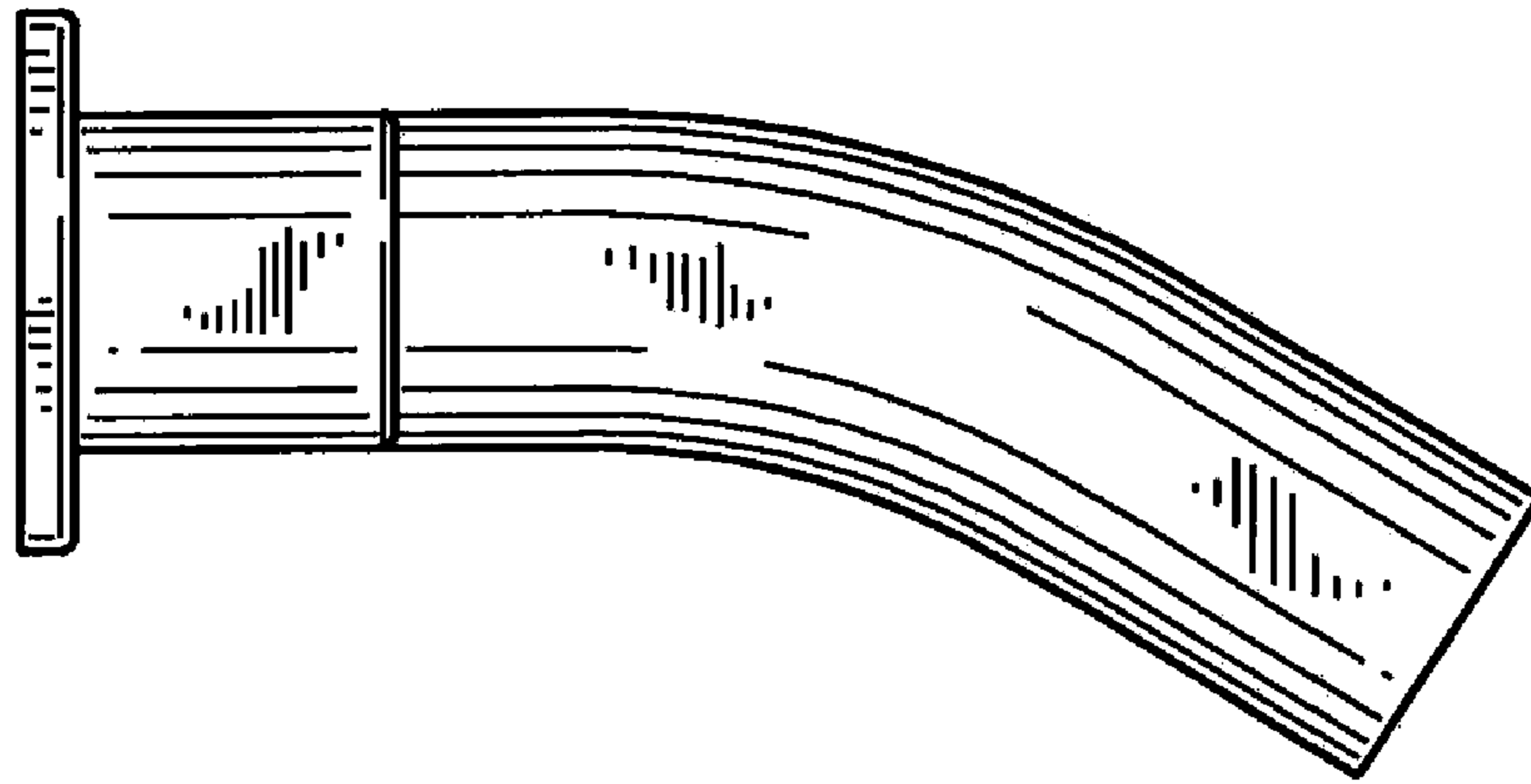


FIG. 12

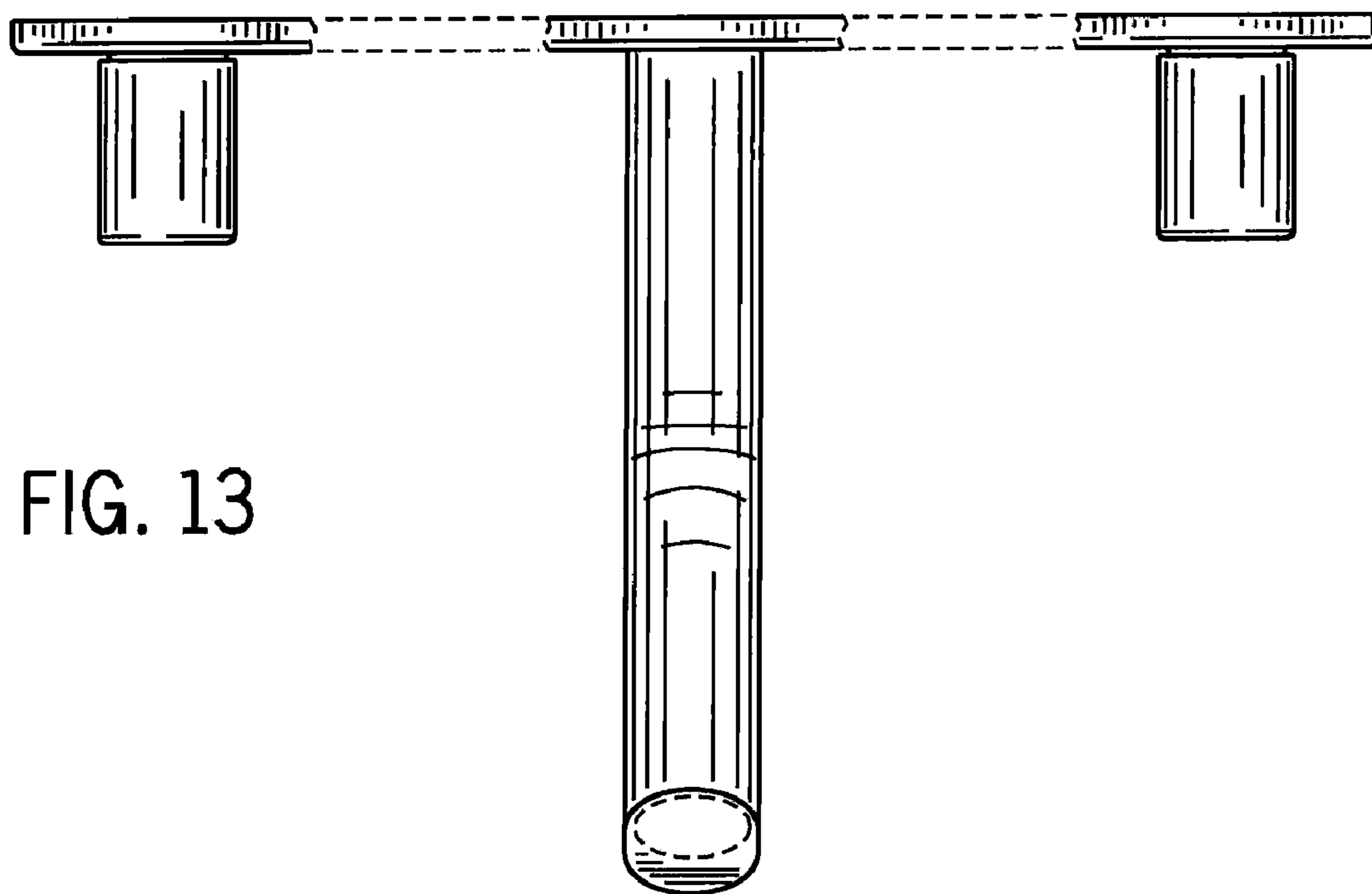


FIG. 13

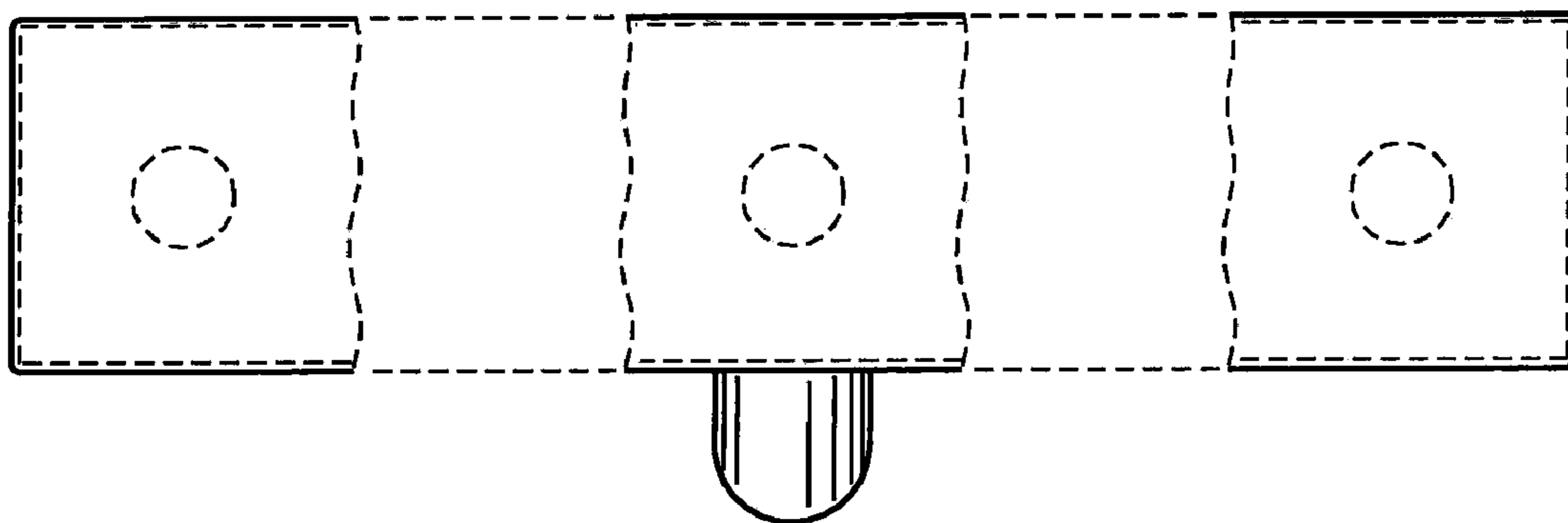


FIG. 14