



US00D601663S

(12) **United States Design Patent**
Holstrom

(10) **Patent No.:** **US D601,663 S**

(45) **Date of Patent:** **** Oct. 6, 2009**

(54) **BALL VALVE**

(75) Inventor: **John R. Holstrom**, Naperville, IL (US)

(73) Assignee: **Val-Matic Valve & Manufacturing Corp.**, Elmhurst, IL (US)

(**) Term: **14 Years**

(21) Appl. No.: **29/333,346**

(22) Filed: **Mar. 6, 2009**

(51) **LOC (9) Cl.** **23-01**

(52) **U.S. Cl.** **D23/233**

(58) **Field of Classification Search** D23/233–237,
D23/244–249, 259, 262; 137/240, 412, 801;
251/148, 152, 309

See application file for complete search history.

(56) **References Cited**

U.S. PATENT DOCUMENTS

2,762,601	A *	9/1956	Clade	251/172
2,979,071	A *	4/1961	Herring et al.	137/246.13
4,130,128	A *	12/1978	Kaneko	137/269
D253,365	S *	11/1979	Nyberg	D23/247

4,262,691	A *	4/1981	Kacal	137/315.21
5,417,404	A *	5/1995	Varden	251/165
7,278,448	B2 *	10/2007	Christenson et al.	...	137/625.32
7,409,966	B2 *	8/2008	Chang	137/625.47

* cited by examiner

Primary Examiner—Cathron C. Brooks

Assistant Examiner—Maurice Stevens

(74) *Attorney, Agent, or Firm*—Greer, Burns & Crain, Ltd

(57) **CLAIM**

An ornamental design for a ball valve, as shown.

DESCRIPTION

FIG. 1 is a front elevational view of a ball valve showing my new design;

FIG. 2 is a right side elevational view thereof; the left side elevational view being a mirror image;

FIG. 3 is a rear elevational view thereof;

FIG. 4 is a bottom plan view thereof; and,

FIG. 5 is a top plan view thereof.

1 Claim, 3 Drawing Sheets

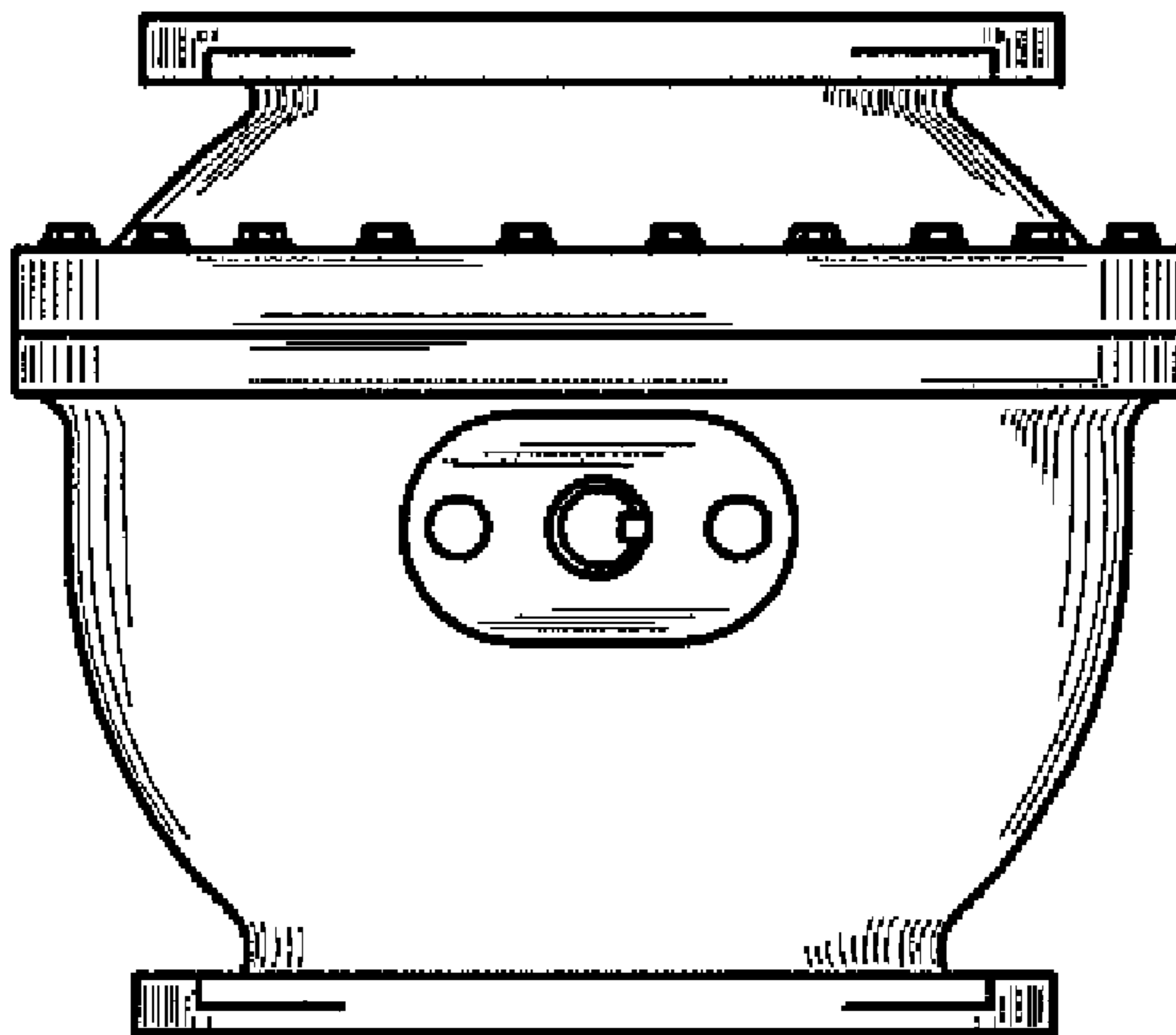


FIG. 1

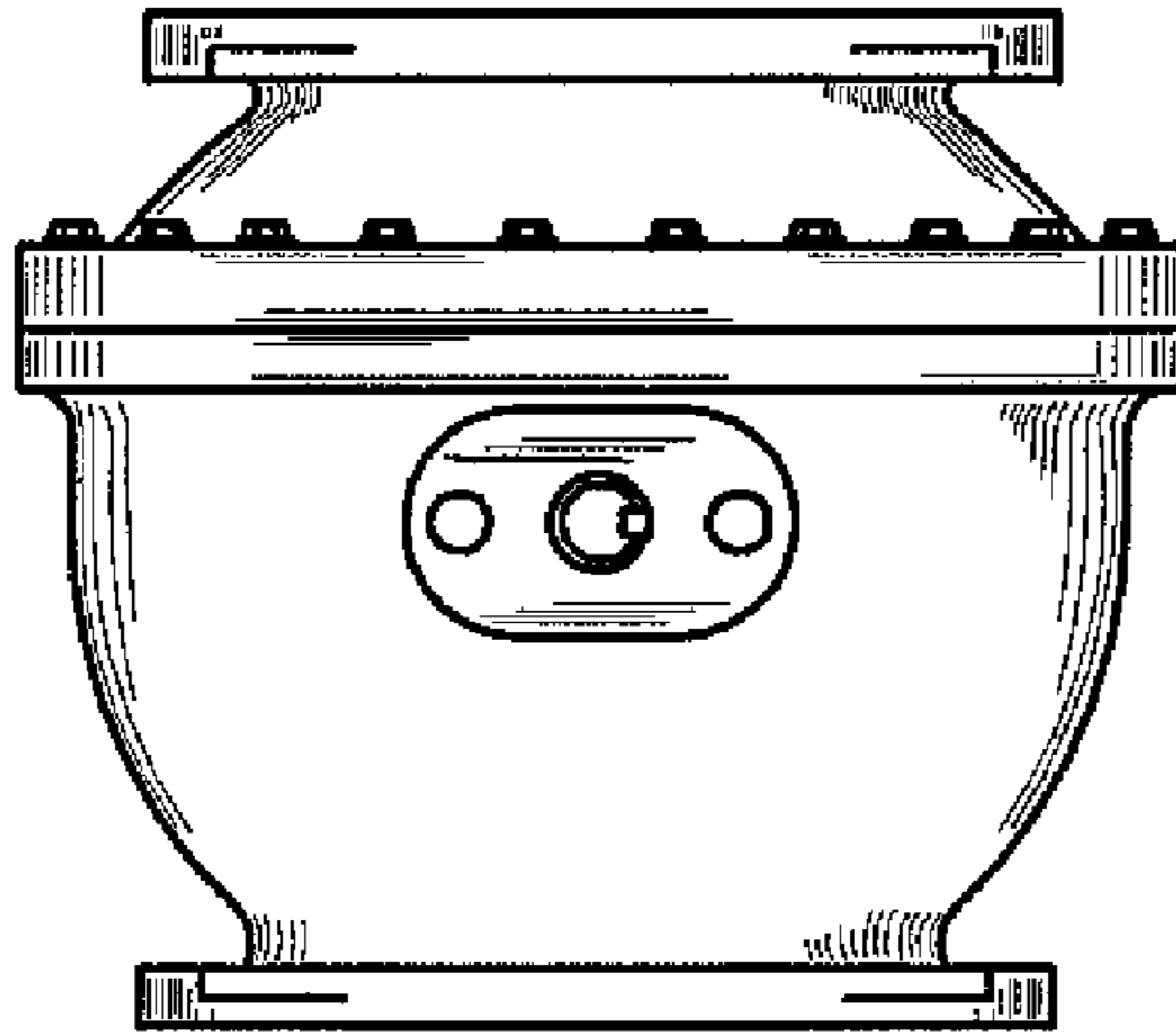


FIG. 2

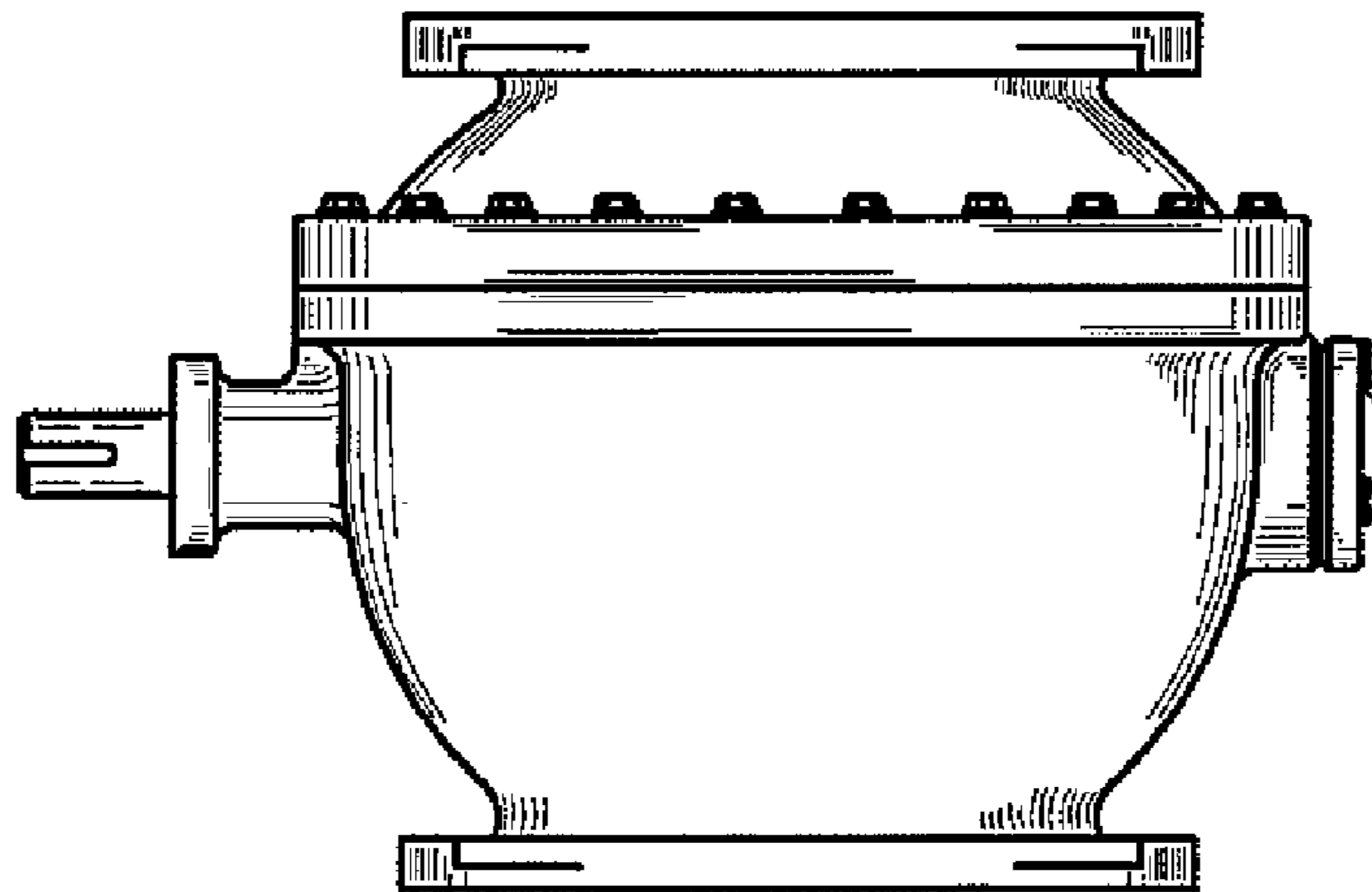


FIG. 3

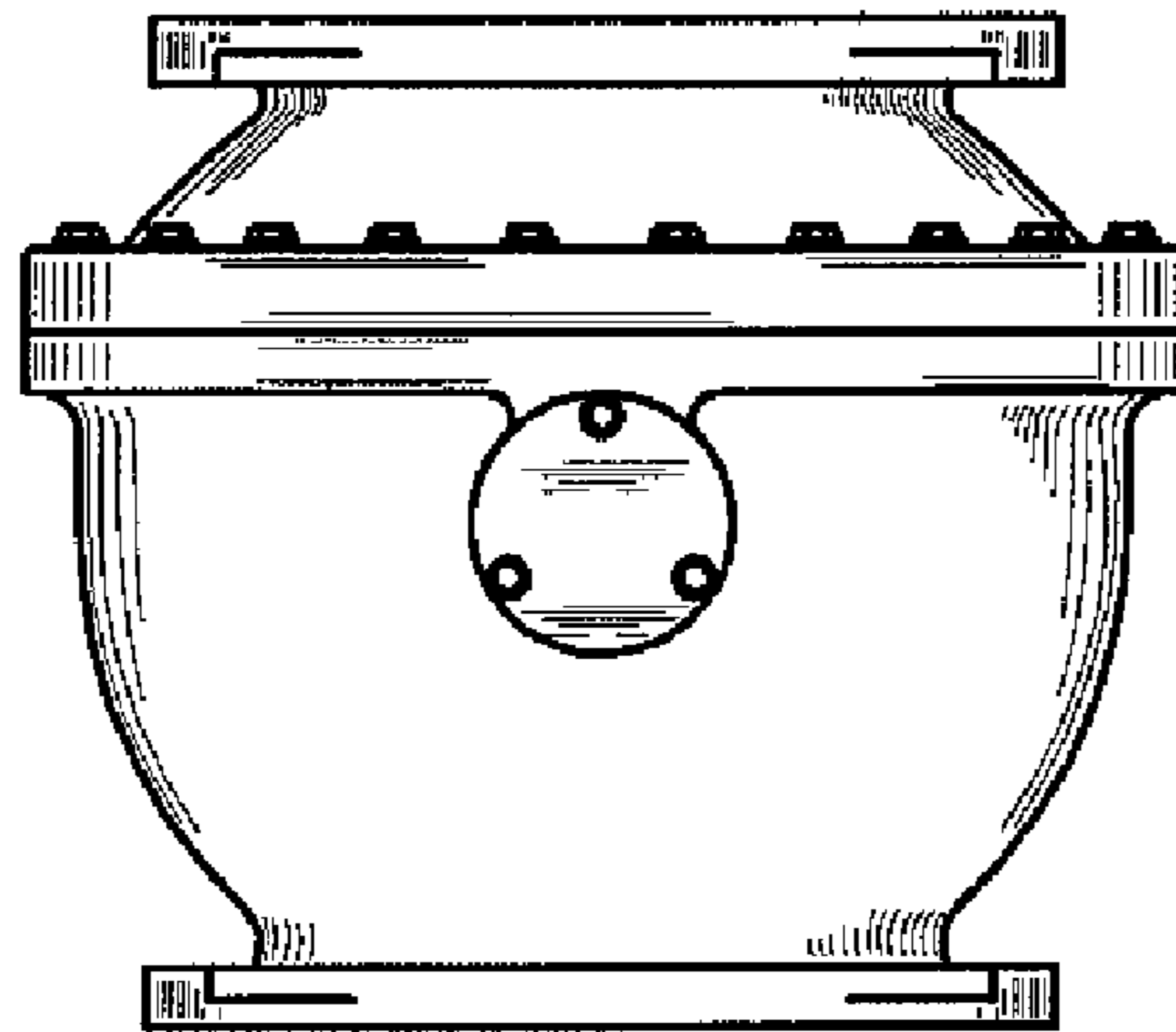


FIG. 4

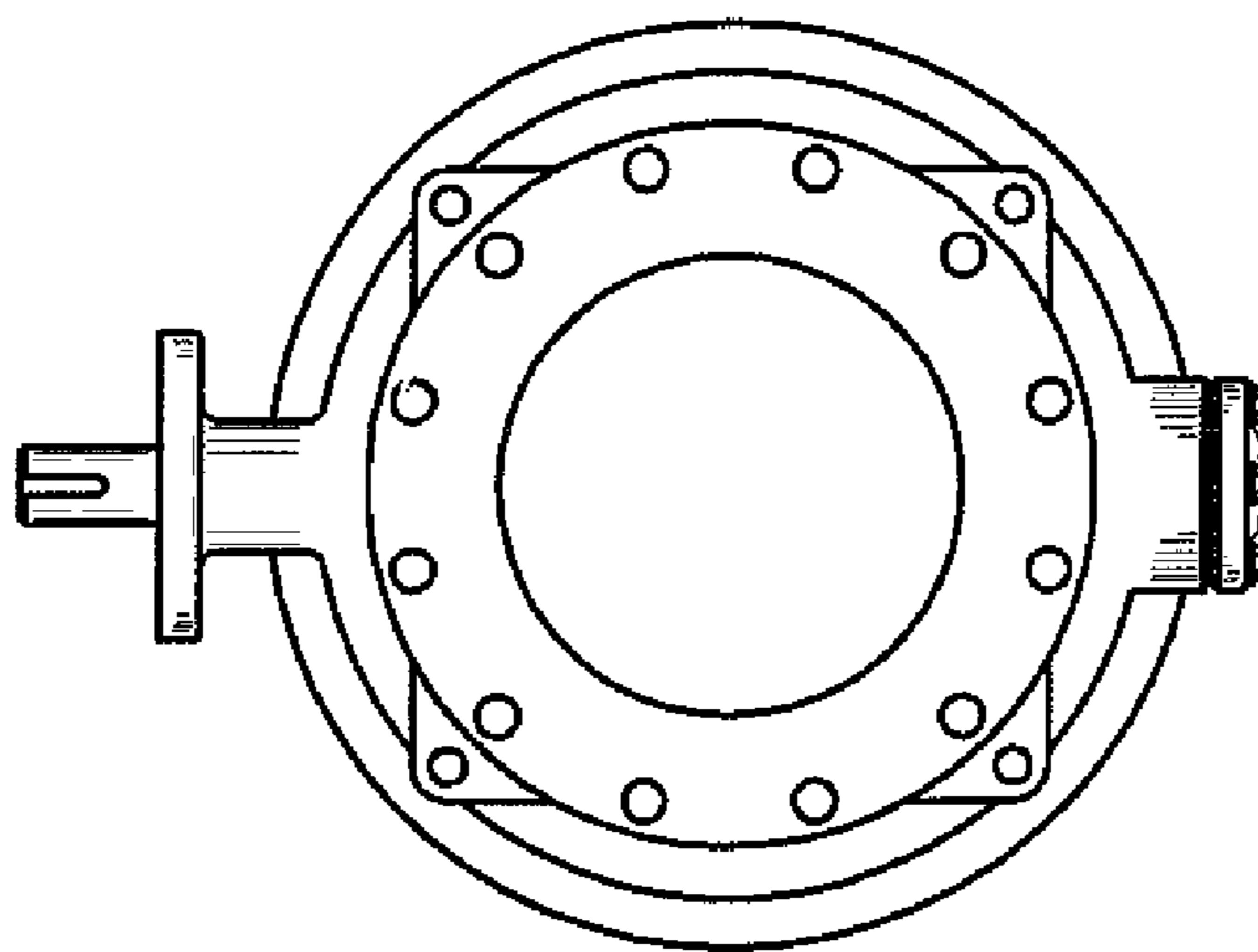


FIG. 5

