



US00D601662S

(12) **United States Design Patent**
Kobayashi et al.

(10) **Patent No.:** **US D601,662 S**

(45) **Date of Patent:** **** Oct. 6, 2009**

(54) **EXPANSION VALVE**

(75) Inventors: **Kazuto Kobayashi**, Tokyo (JP); **Takashi Mogi**, Tokyo (JP); **Eiji Fukuda**, Tokyo (JP)

(73) Assignee: **Fujikoki Corporation**, Tokyo (JP)

(**) Term: **14 Years**

(21) Appl. No.: **29/305,404**

(22) Filed: **Mar. 19, 2008**

(30) **Foreign Application Priority Data**

Sep. 27, 2007 (JP) D2007-026213

(51) **LOC (9) Cl.** **23-01**

(52) **U.S. Cl.** **D23/233**

(58) **Field of Classification Search** D23/233-237,
D23/244-249; 137/625.48; 251/14, 64;
62/222-225, 197, 115, 527, 210; 236/63-64,
236/66, 92 B; 285/189, 208, 211, 368
See application file for complete search history.

(56) **References Cited**

U.S. PATENT DOCUMENTS

D427,285 S * 6/2000 Watanabe D23/233

D494,658 S * 8/2004 Kobayashi et al. D23/233

D532,080 S * 11/2006 Kobayashi et al. D23/233

D546,921 S * 7/2007 Kobayashi et al. D23/233

D589,118 S * 3/2009 Watanabe D23/233

* cited by examiner

Primary Examiner—Cathron C. Brooks

Assistant Examiner—Maurice Stevens

(74) *Attorney, Agent, or Firm*—Westerman, Hattori, Daniels & Adrian, LLP.

(57) **CLAIM**

The ornamental design for expansion valve, as shown and described.

DESCRIPTION

FIG. 1 is a right front perspective view of an expansion valve;

FIG. 2 is a left rear perspective view thereof;

FIG. 3 is a front view thereof;

FIG. 4 is a rear view thereof;

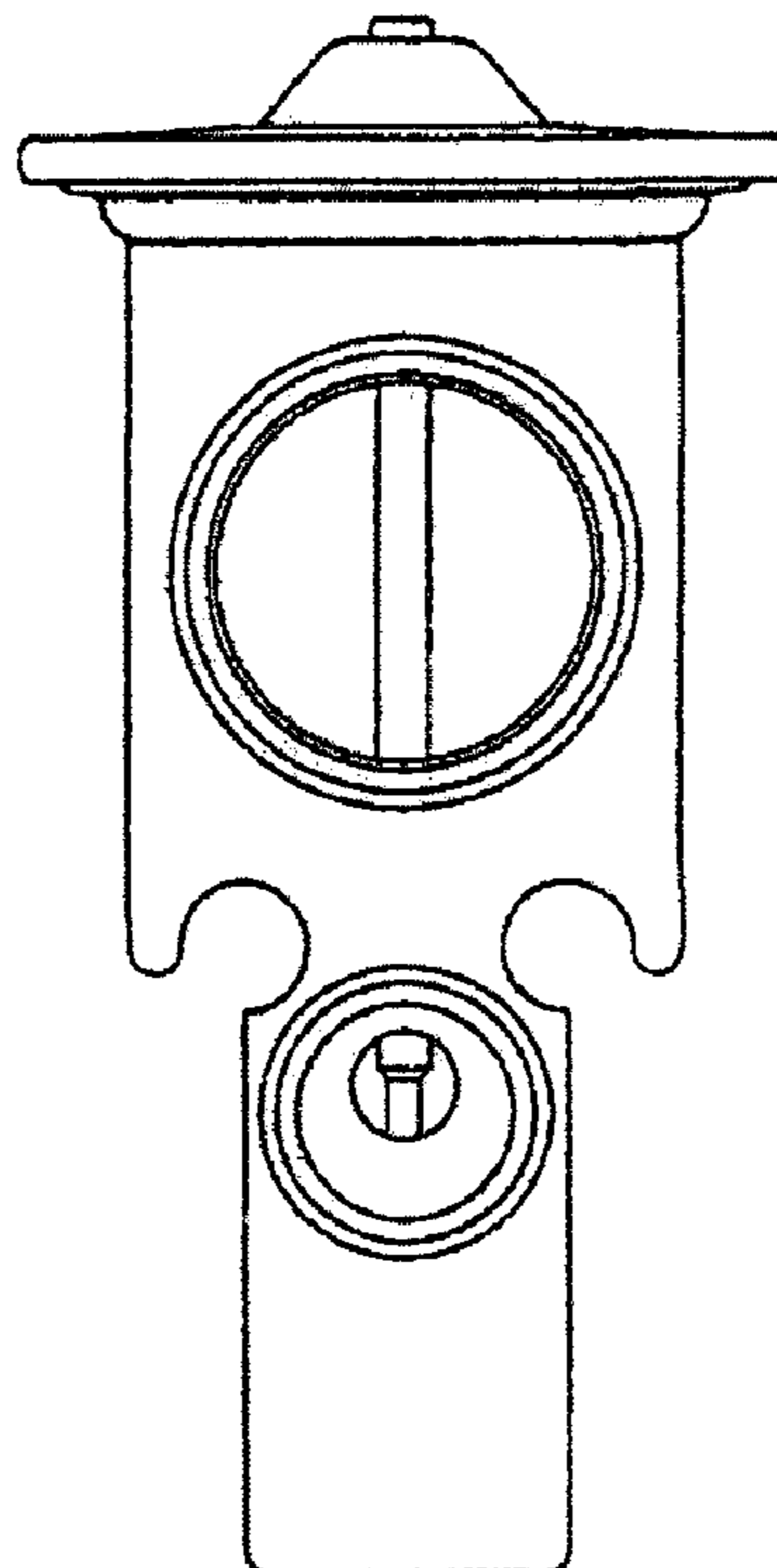
FIG. 5 is a plan view thereof;

FIG. 6 is a bottom view thereof;

FIG. 7 is a left side view thereof; and,

FIG. 8 is a right side view thereof.

1 Claim, 4 Drawing Sheets



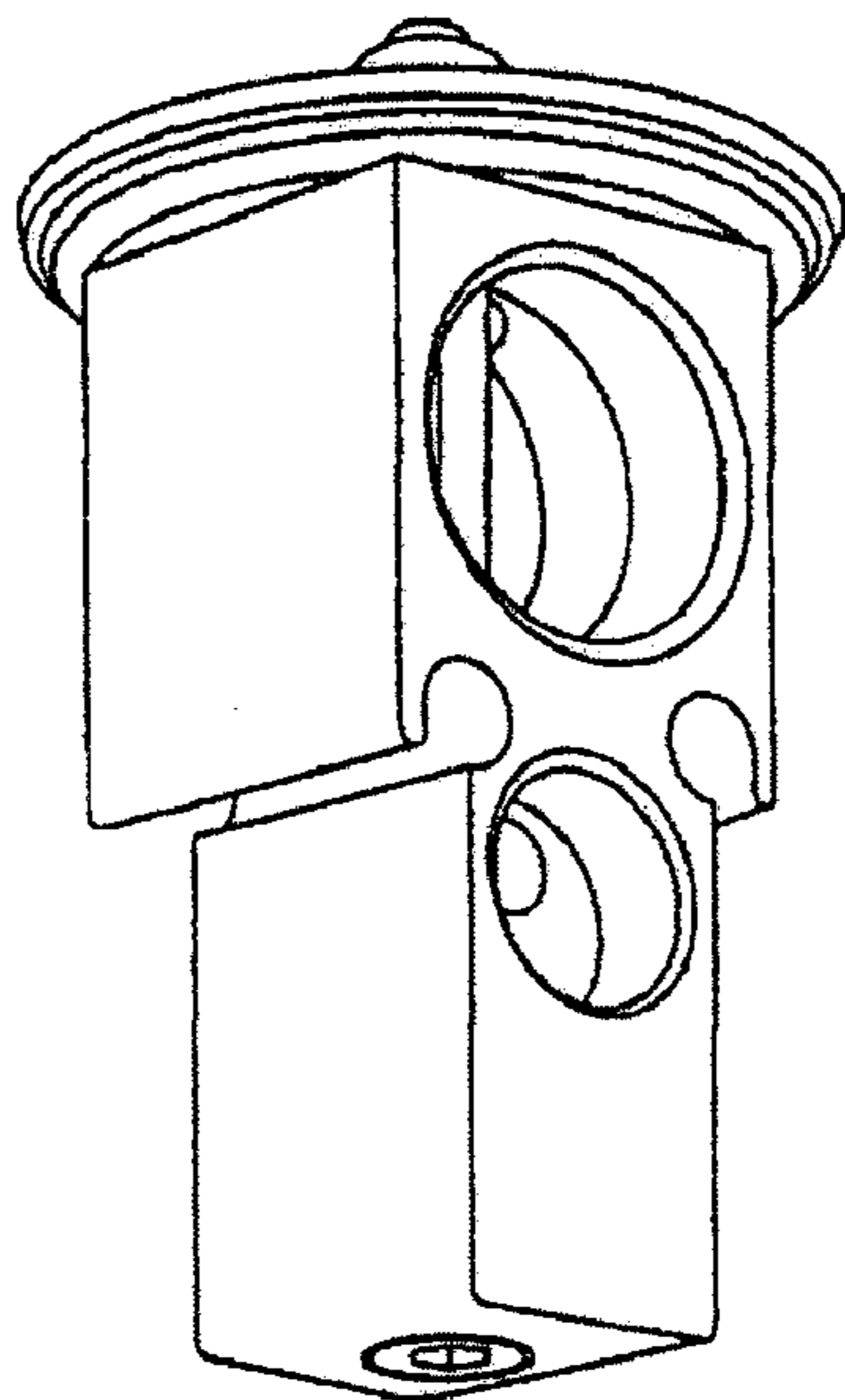


FIG. 1

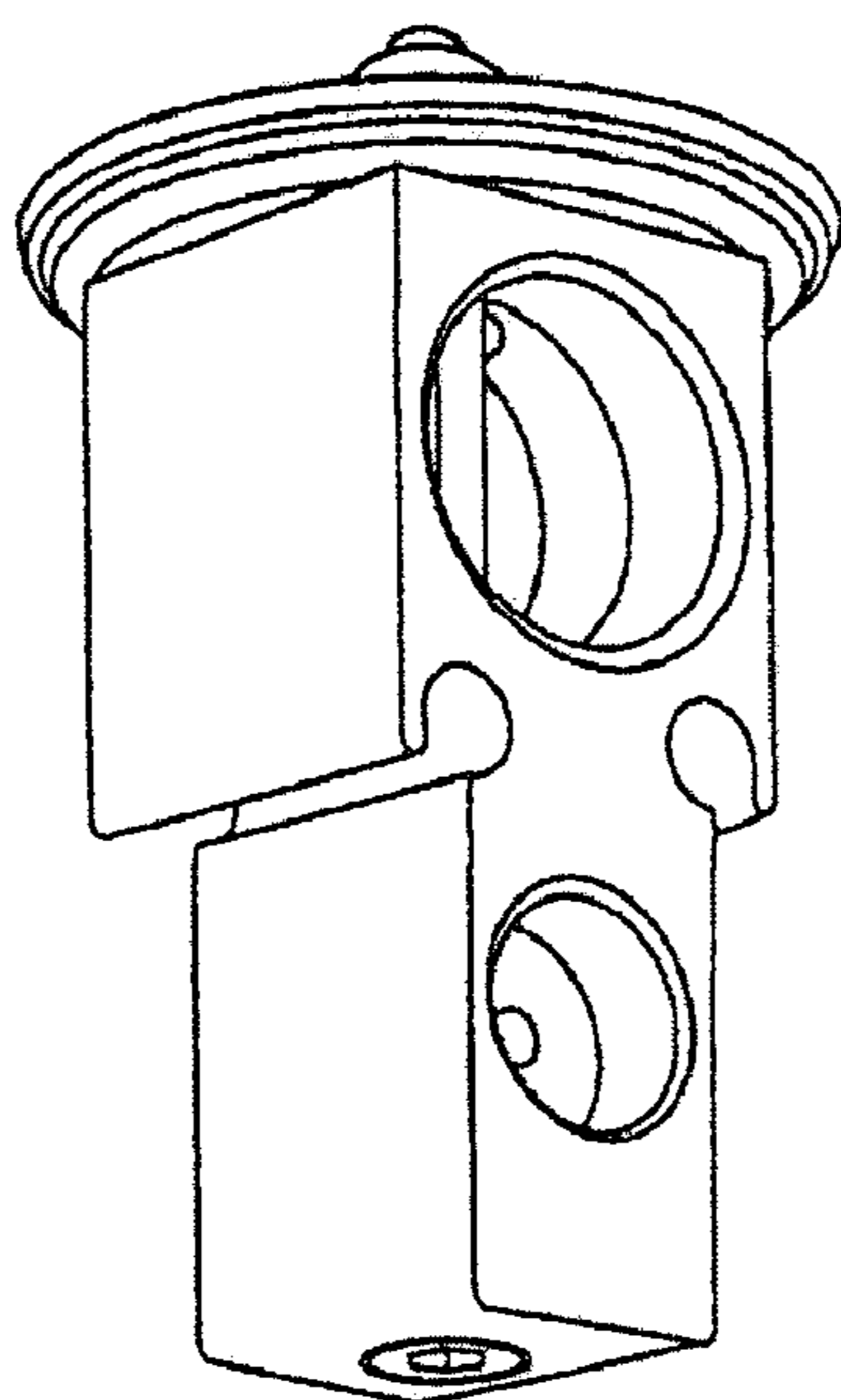


FIG. 2

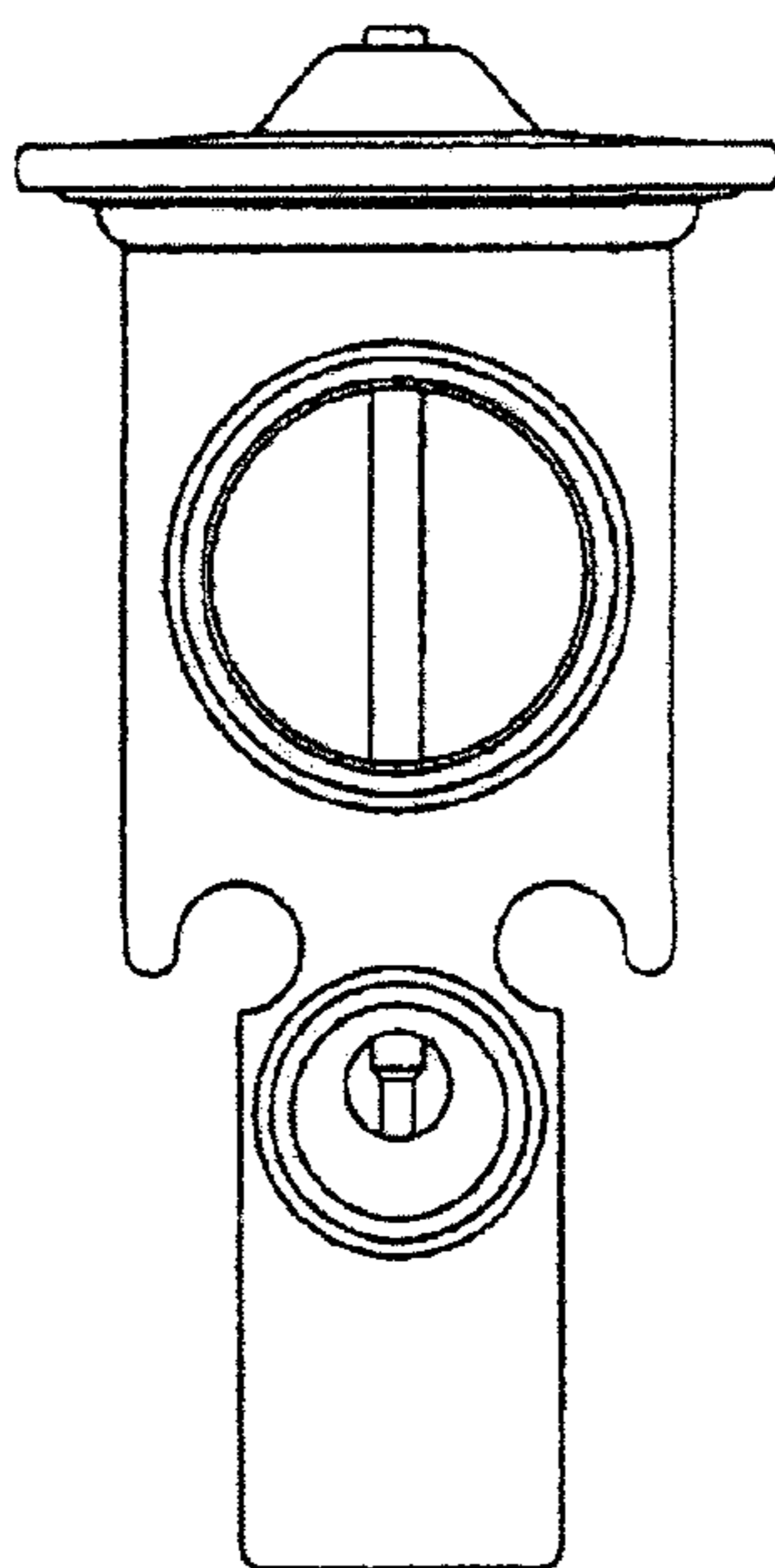


FIG. 3

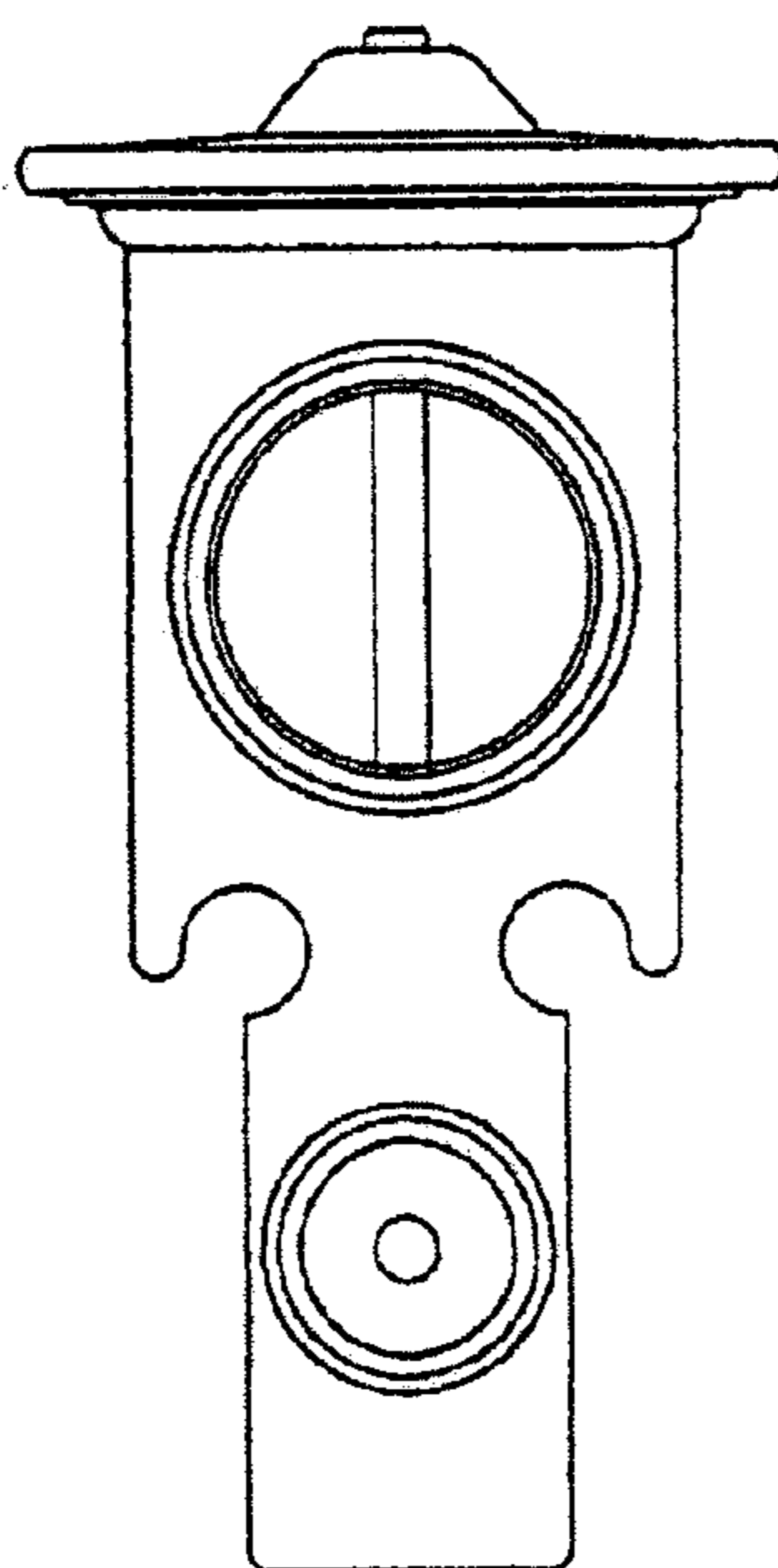


FIG. 4

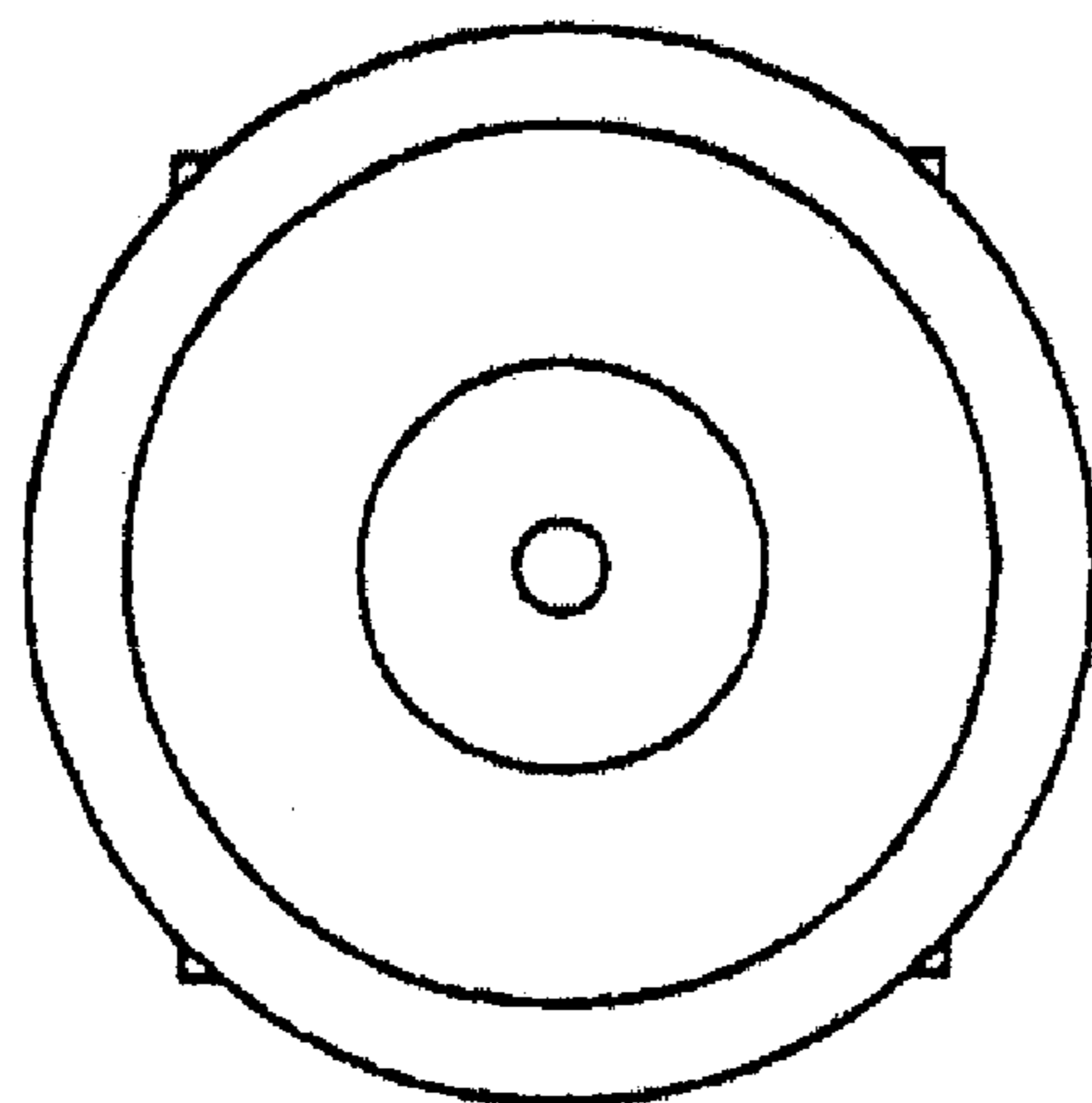


FIG. 5

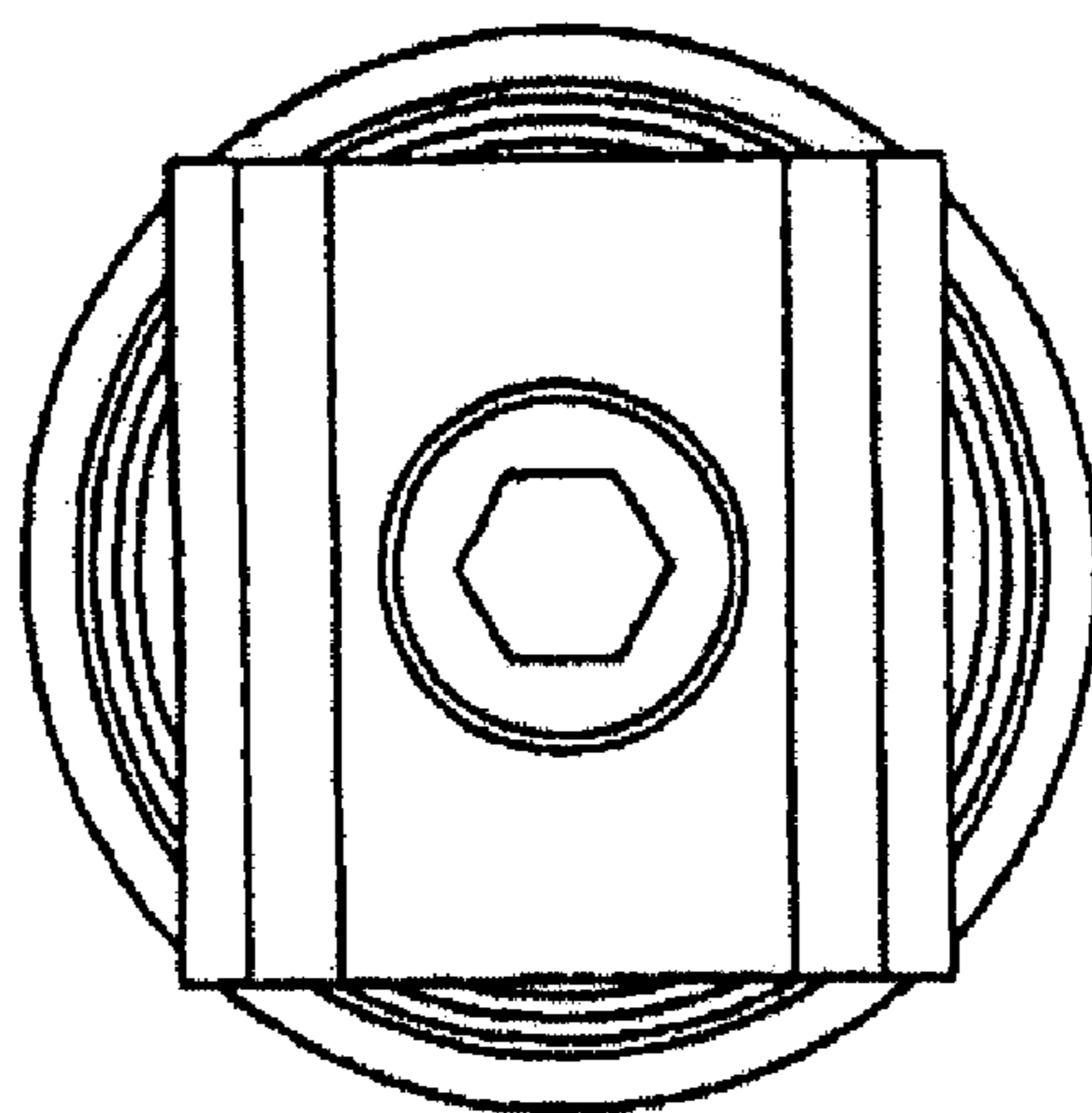


FIG. 6

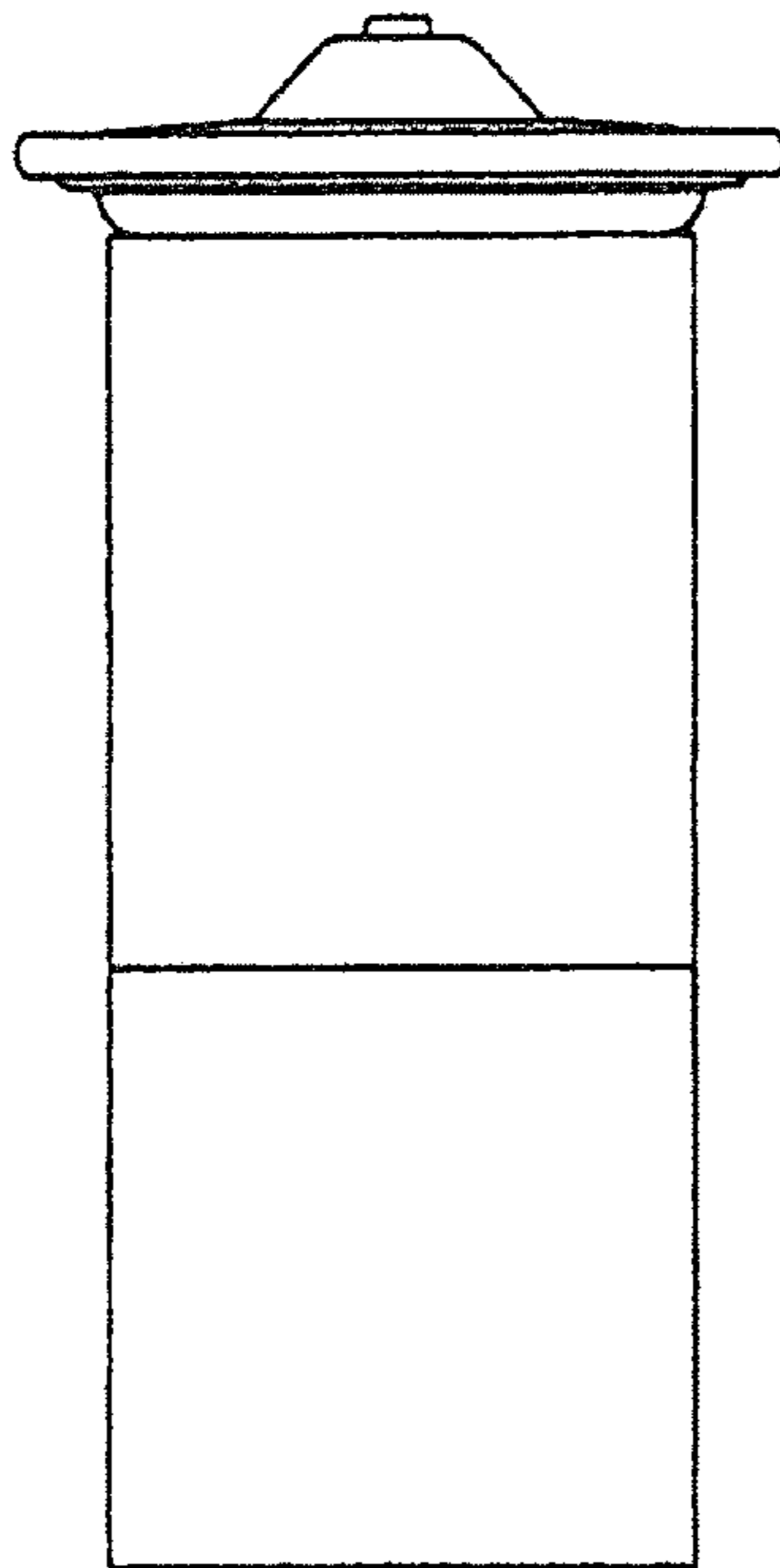


FIG. 7

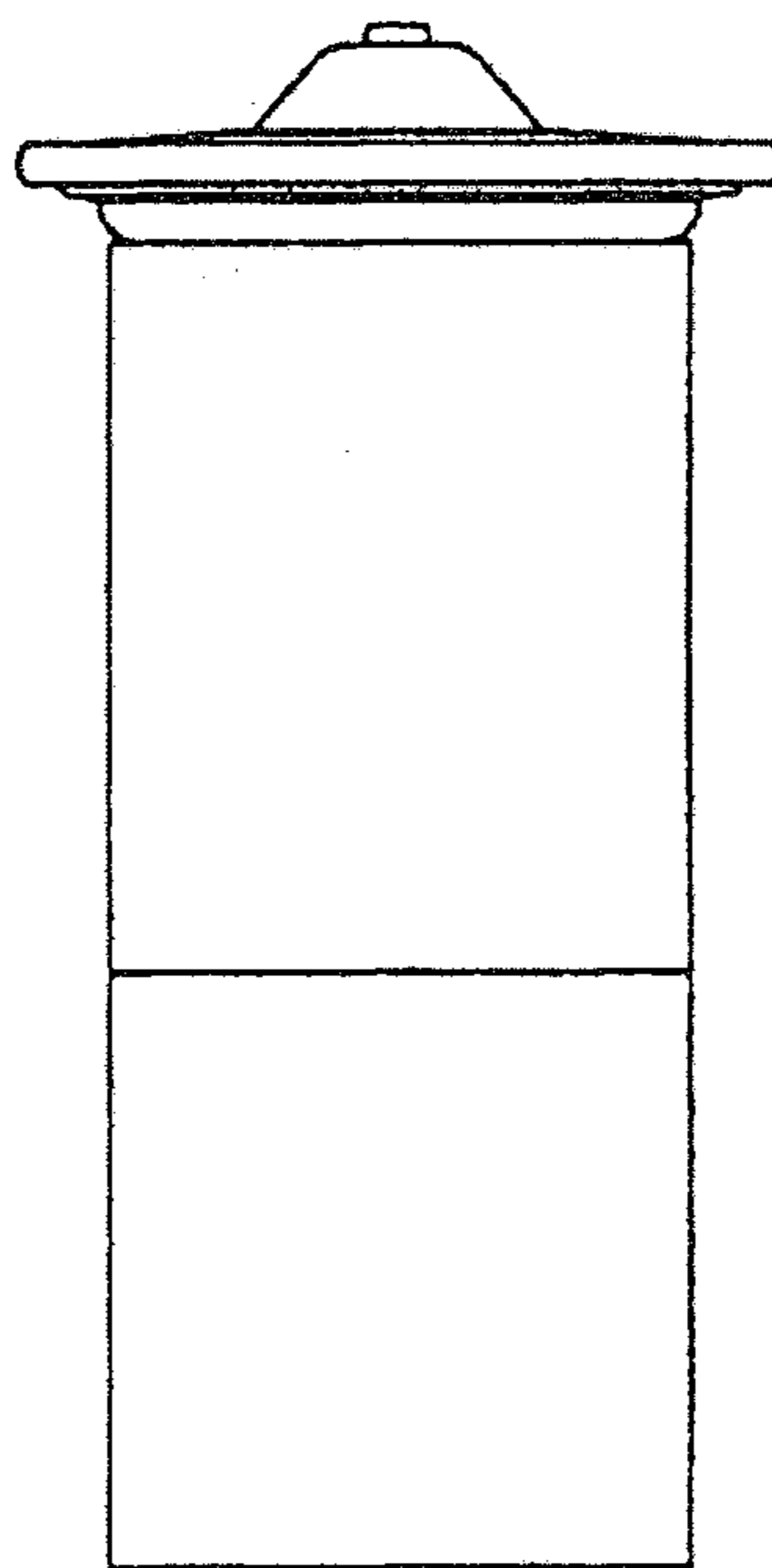


FIG. 8