



US00D601661S

(12) **United States Design Patent**
Foster

(10) **Patent No.:** **US D601,661 S**

(45) **Date of Patent:** **** Oct. 6, 2009**

(54) **VALVE**

(75) **Inventor:** **Geoffrey Frederick Foster**, Glenorie (AU)

(73) **Assignee:** **Premier-Fosters (Australia) Pty Limited**, New South Wales (AU)

(**) **Term:** **14 Years**

(21) **Appl. No.:** **29/292,323**

(22) **Filed:** **Oct. 5, 2007**

(30) **Foreign Application Priority Data**

Apr. 5, 2007 (AU) 17354/2007
Apr. 5, 2007 (AU) 17355/2007

(51) **LOC (9) Cl.** **23-01**

(52) **U.S. Cl.** **D23/233**

(58) **Field of Classification Search** D23/207,
D23/209, 233-237; 55/501, 509; 210/447;
251/213

See application file for complete search history.

(56) **References Cited**

U.S. PATENT DOCUMENTS

D309,175 S * 7/1990 Hastings et al. D23/245

D380,526 S * 7/1997 Pullen D23/245
D420,724 S * 2/2000 Ybarra D23/254
D476,718 S * 7/2003 Ferrer Beltran D23/209
D518,876 S * 4/2006 Park D23/233
D542,382 S * 5/2007 Cook et al. D23/233

* cited by examiner

Primary Examiner—Cathron C. Brooks

Assistant Examiner—Maurice Stevens

(74) *Attorney, Agent, or Firm*—Ladas and Parry LLP

(57) **CLAIM**

I claim the ornamental design for a valve, as shown and described.

DESCRIPTION

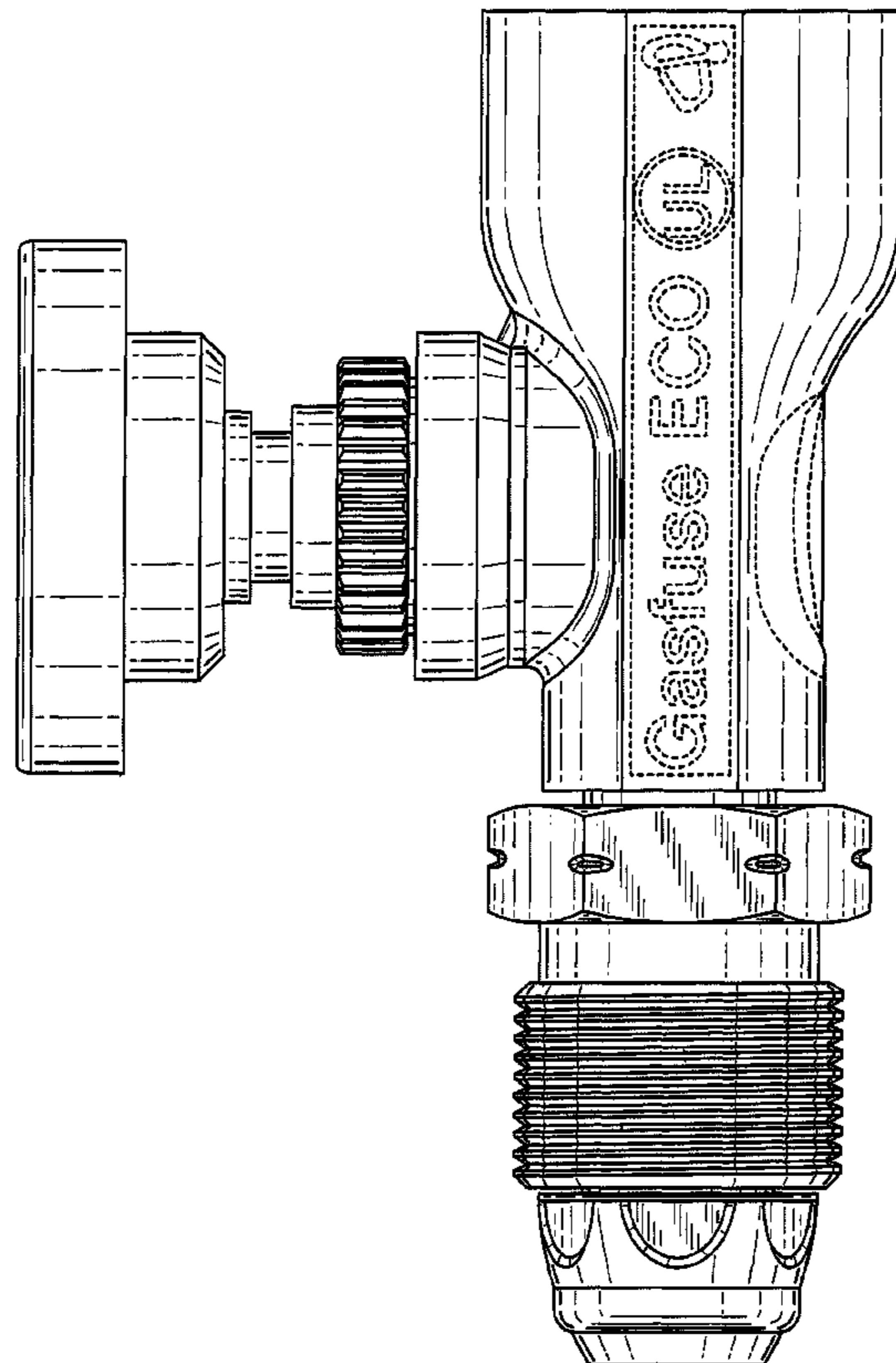
FIG. 1 is a left-side elevational view of a valve showing my new design;

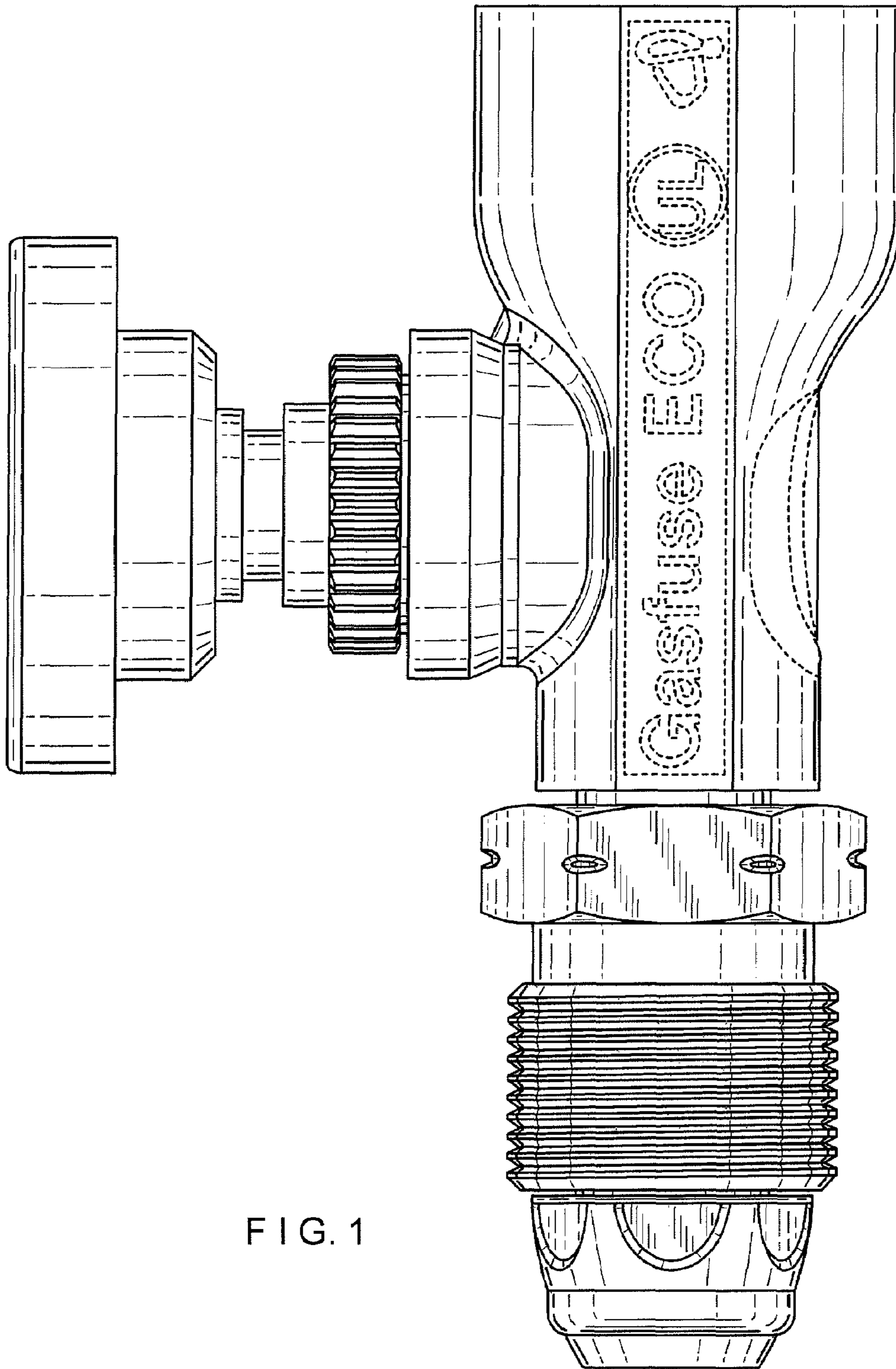
FIG. 2 is a front-end elevational view thereof; and,

FIG. 3 is a top plan view thereof.

The broken lines in the drawings are for illustrative purposes only and form no part of the claimed design.

1 Claim, 3 Drawing Sheets





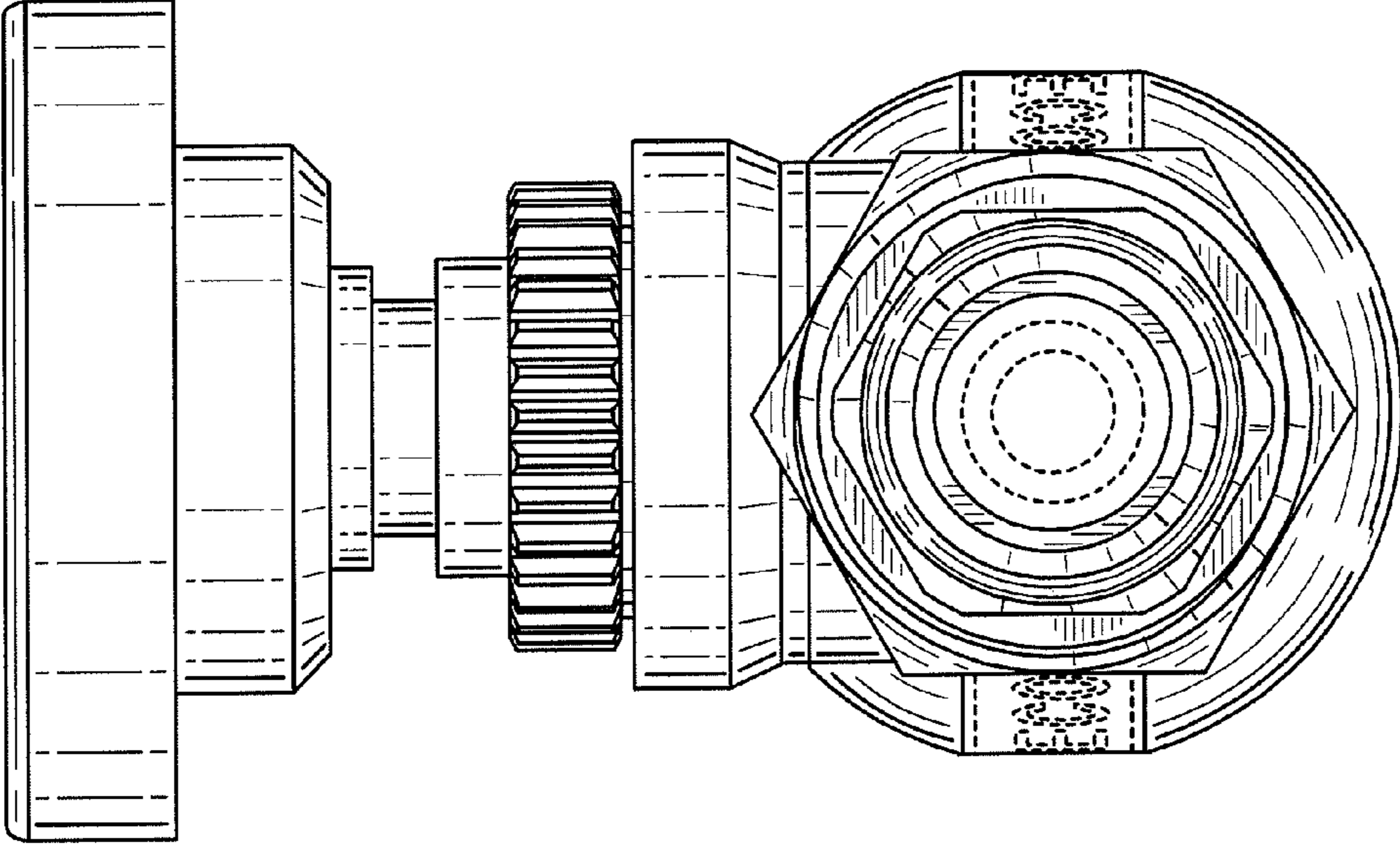


FIG. 2

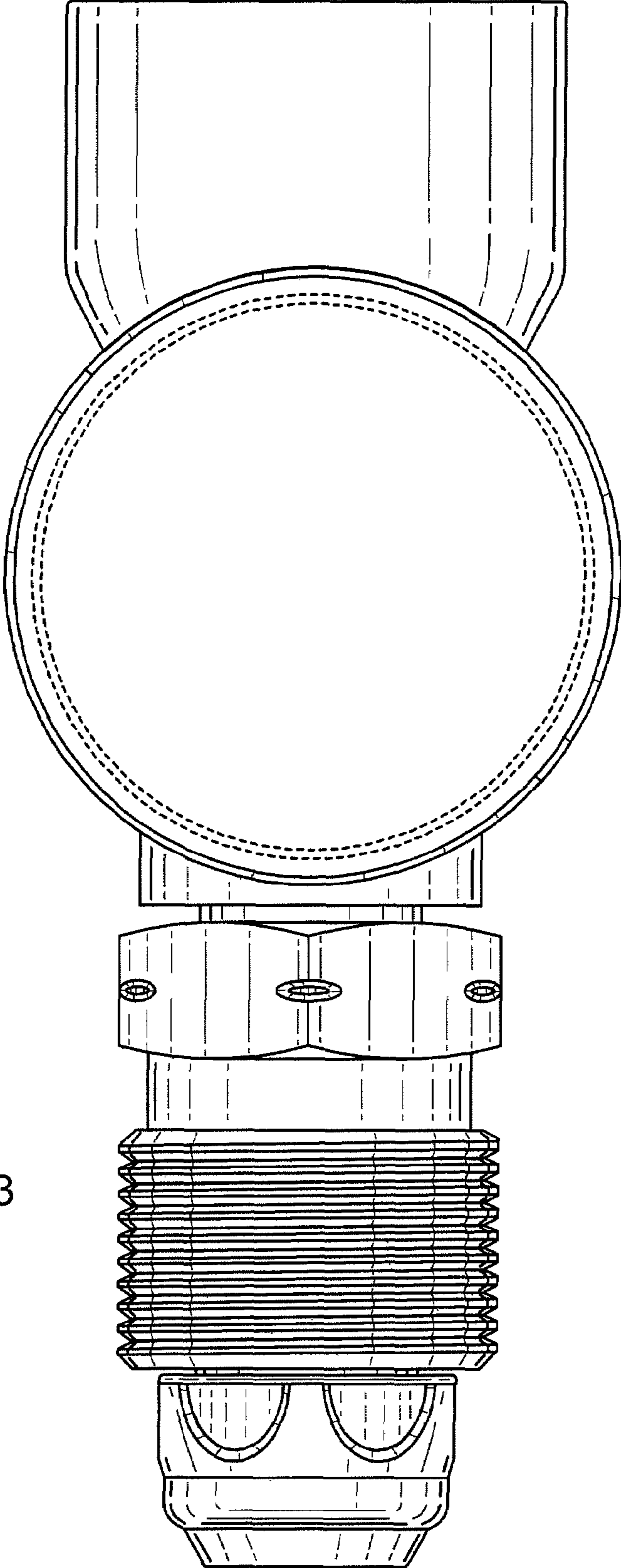


FIG. 3