



US00D601660S

(12) **United States Design Patent**  
**Reimann et al.**

(10) **Patent No.:** **US D601,660 S**

(45) **Date of Patent:** **\*\* Oct. 6, 2009**

(54) **LOCK-OUT CLOSURE FOR A CONTAINER WITH A CORRESPONDING LOCK-OUT DISPENSER INSERT**

(75) Inventors: **Kirk M. Reimann**, Franksville, WI (US); **William E. Simpson**, New Berlin, WI (US); **Nancy D. Trafelet**, Racine, WI (US); **Andy Swain**, Hucknall (GB); **Christopher J. Webb**, Dronfield (GB); **Shirley Ann Webb**, legal representative, Dronfield Woodhouse (GB); **David Holden**, Matlock (GB); **Garry W. Crossdale**, Ripley (GB); **Brian D. Haworth**, Voorburg (NL); **Bert Van der Heijden**, Bunnik (NL)

(73) Assignee: **JohnsonDiversey, Inc.**, Sturtevant, WI (US)

(\*\*) Term: **14 Years**

(21) Appl. No.: **29/258,032**

(22) Filed: **Apr. 14, 2006**

(51) **LOC (9) Cl.** ..... **23-01**

(52) **U.S. Cl.** ..... **D23/233**

(58) **Field of Classification Search** ..... D23/233–237, D23/244–245; 137/636.3, 636.2, 625.41, 137/625.17; D9/435, 447, 449; 220/203.22, 220/293.19, 725; 222/153.01, 153.04, 153.14, 222/562, 575

See application file for complete search history.

(56) **References Cited**

U.S. PATENT DOCUMENTS

3,301,427	A *	1/1967	Harold	.....	215/287
4,150,673	A	4/1979	Watt	.....	128/272
5,100,030	A	3/1992	Roggenburg, Jr. et al.	...	222/181
5,238,141	A *	8/1993	Callegari et al.	.....	220/725
5,293,913	A	3/1994	Preszler	.....	141/367
5,597,019	A	1/1997	Thomas et al.	.....	141/18
D380,668	S *	7/1997	Nakamura	.....	D8/387
5,651,398	A	7/1997	Decker et al.	.....	141/18
5,784,087	A	7/1998	Wallace et al.	.....	
5,832,972	A	11/1998	Thomas et al.	.....	141/360

D404,464	S	1/1999	Niemczyk	
5,915,427	A	6/1999	Grabenkort	..... 141/364
6,006,046	A	12/1999	MacFarland	..... 399/12
6,105,633	A	8/2000	Pedersen et al.	..... 141/18
D430,922	S	9/2000	Hung-Lin	
6,431,400	B1	8/2002	O'Maley et al.	..... 222/41
6,648,182	B2	11/2003	Rauworth et al.	..... 222/400.7
6,786,346	B1 *	9/2004	Gurnard et al.	..... 215/272
6,866,064	B2	3/2005	Nanni, Jr. et al.	..... 137/614.03
6,874,522	B2	4/2005	Anderson et al.	..... 137/68.3
7,090,343	B2	8/2006	Steinmetz et al.	
7,188,937	B2	3/2007	Wilson et al.	
7,451,896	B2 *	11/2008	Robinson	..... 222/153.14
D584,106	S *	1/2009	Wong	..... D7/396.2
D585,743	S *	2/2009	Wilson et al.	..... D9/449
D589,796	S *	4/2009	McGeough	..... D9/449
2004/0045984	A1	3/2004	Schuman et al.	
2004/0046329	A1	3/2004	Pieters	..... 277/496
2005/0103387	A1	5/2005	Voegel et al.	..... 137/614.04
2005/0127090	A1	6/2005	Sayers et al.	..... 222/1
2005/0147864	A1	7/2005	Eggum	..... 429/34
2006/0124662	A1	6/2006	Reynolds et al.	

\* cited by examiner

*Primary Examiner*—Cathron C. Brooks

*Assistant Examiner*—Maurice Stevens

(74) *Attorney, Agent, or Firm*—Gregory S. Bollis

(57) **CLAIM**

We claim the ornamental design for a lock-out closure for a container with a corresponding lock-out dispenser, as shown and described.

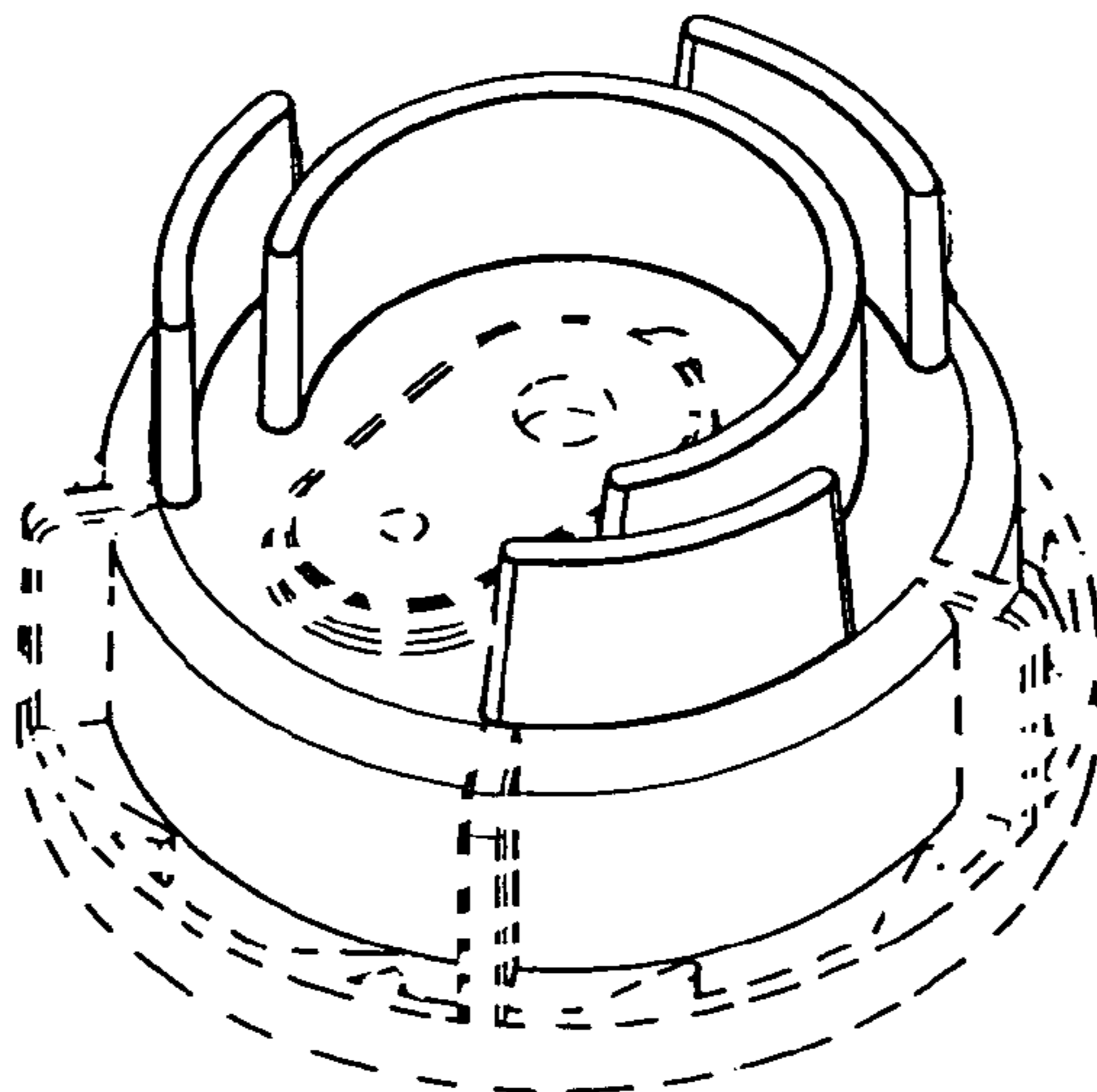
**DESCRIPTION**

FIG. 1 is a perspective view of a lock-out closure for a container with a corresponding lock-out dispenser insert, showing our new design; and,

FIG. 2 is a top view thereof.

The broken lines shown represent unclaimed portions of the lock-out closure for a container with a corresponding lock-out dispenser insert and form no part of the claimed design.

**1 Claim, 1 Drawing Sheet**



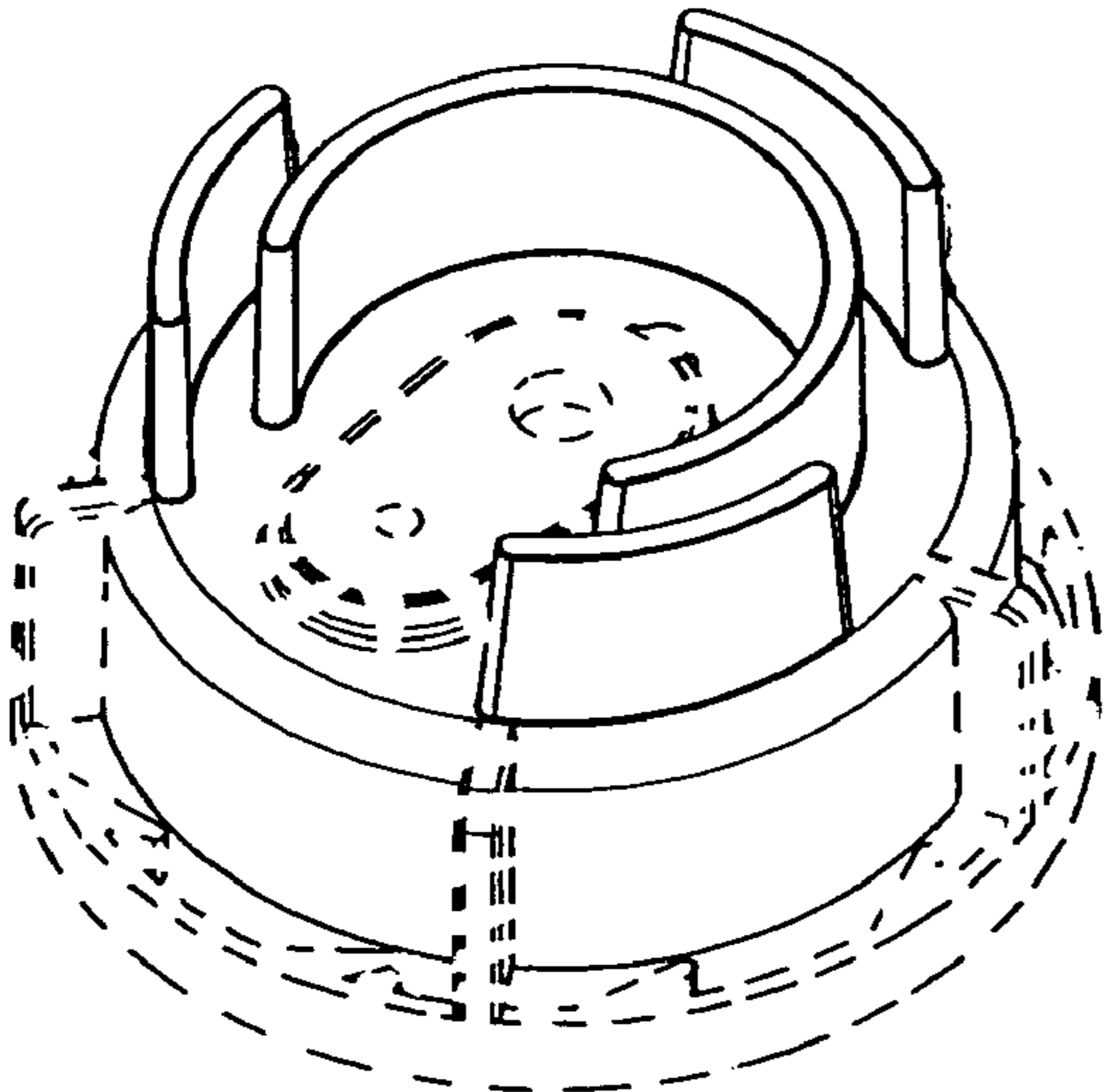


FIG. 1

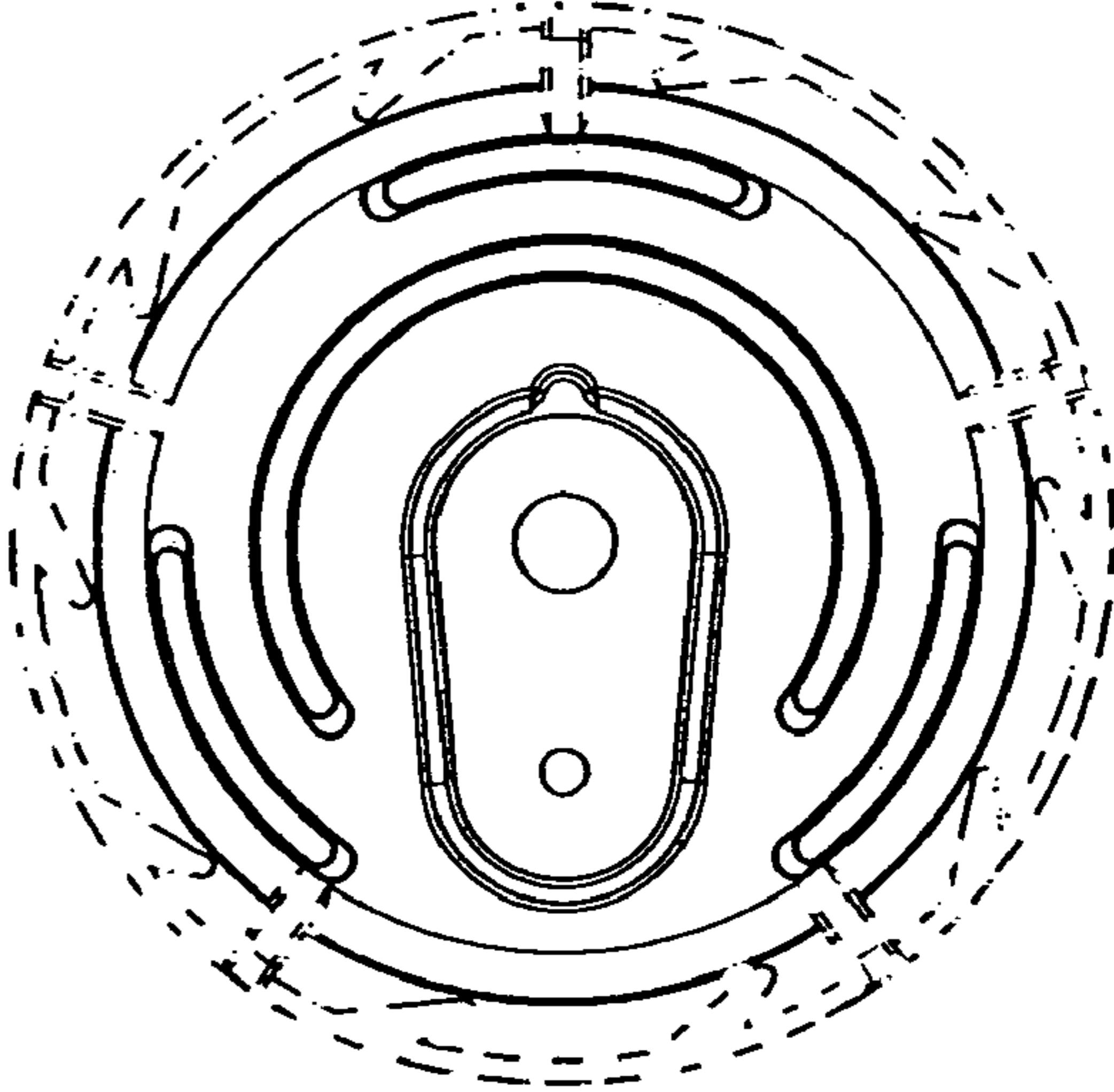


FIG. 2