



US00D601659S

(12) **United States Design Patent**  
**Tse**

(10) **Patent No.:** **US D601,659 S**  
(45) **Date of Patent:** **\*\* Oct. 6, 2009**

(54) **SHOWER HEAD**

D560,269 S \* 1/2008 Tse ..... D23/223

(75) Inventor: **Hing Fai Tse**, Hong Kong (CN)

\* cited by examiner

(73) Assignee: **Alpha-Omega Group Limited**, Tsuen Wan, New Territories (HK)

*Primary Examiner*—Robin V Webster

(74) *Attorney, Agent, or Firm*—Amster, Rothstein & Ebenstein LLP

(\*\*) Term: **14 Years**

(57) **CLAIM**

(21) Appl. No.: **29/324,265**

The ornamental design for the shower head, as shown and described.

(22) Filed: **Sep. 9, 2008**

**DESCRIPTION**

(51) **LOC (9) Cl.** ..... **23-01**

(52) **U.S. Cl.** ..... **D23/223**

(58) **Field of Classification Search** ..... D23/213,  
D23/223, 229–230; 239/282–283, 460, 462  
See application file for complete search history.

FIG. 1 is a front view of the present shower head showing my new design;

FIG. 2 is a back view thereof;

FIG. 3 is a left view thereof;

FIG. 4 is a right view thereof;

FIG. 5 is a top view thereof; and,

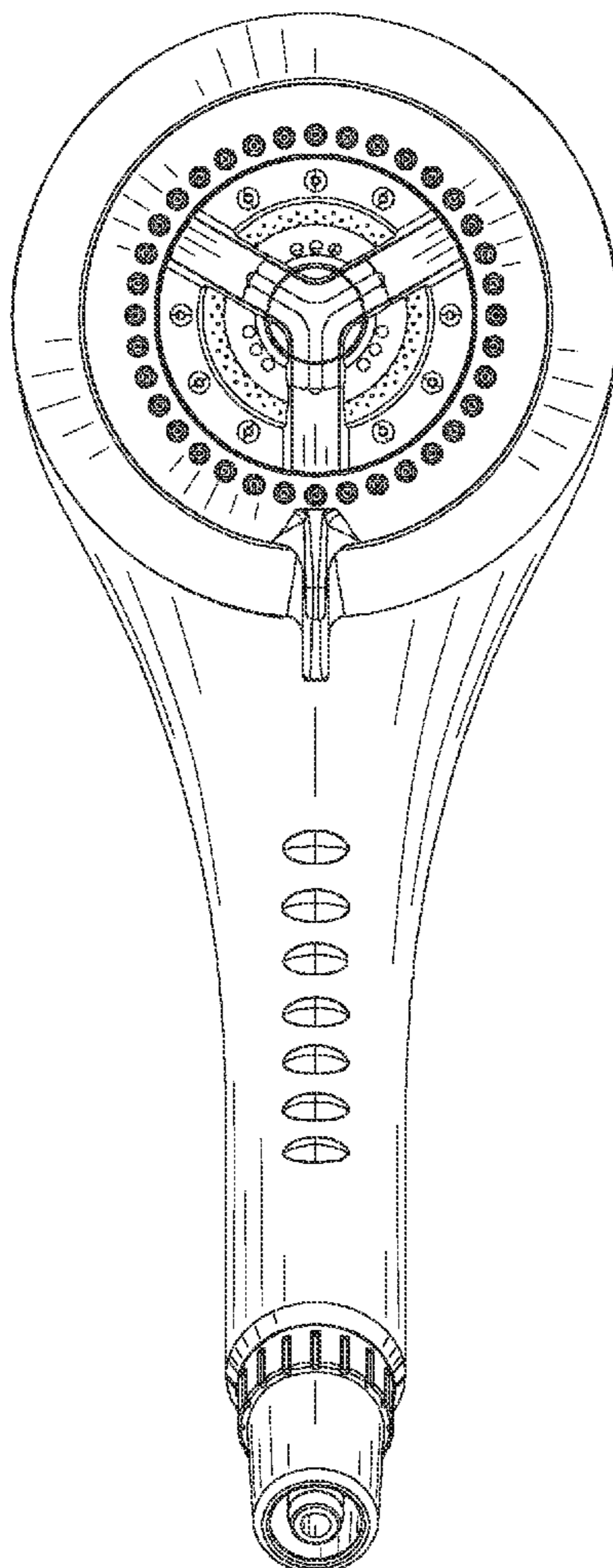
FIG. 6 is a bottom view thereof.

(56) **References Cited**

U.S. PATENT DOCUMENTS

- D424,161 S \* 5/2000 Haug et al. .... D23/223
- D530,392 S \* 10/2006 Tse ..... D23/223
- D540,426 S \* 4/2007 Cropelli ..... D23/213

**1 Claim, 6 Drawing Sheets**



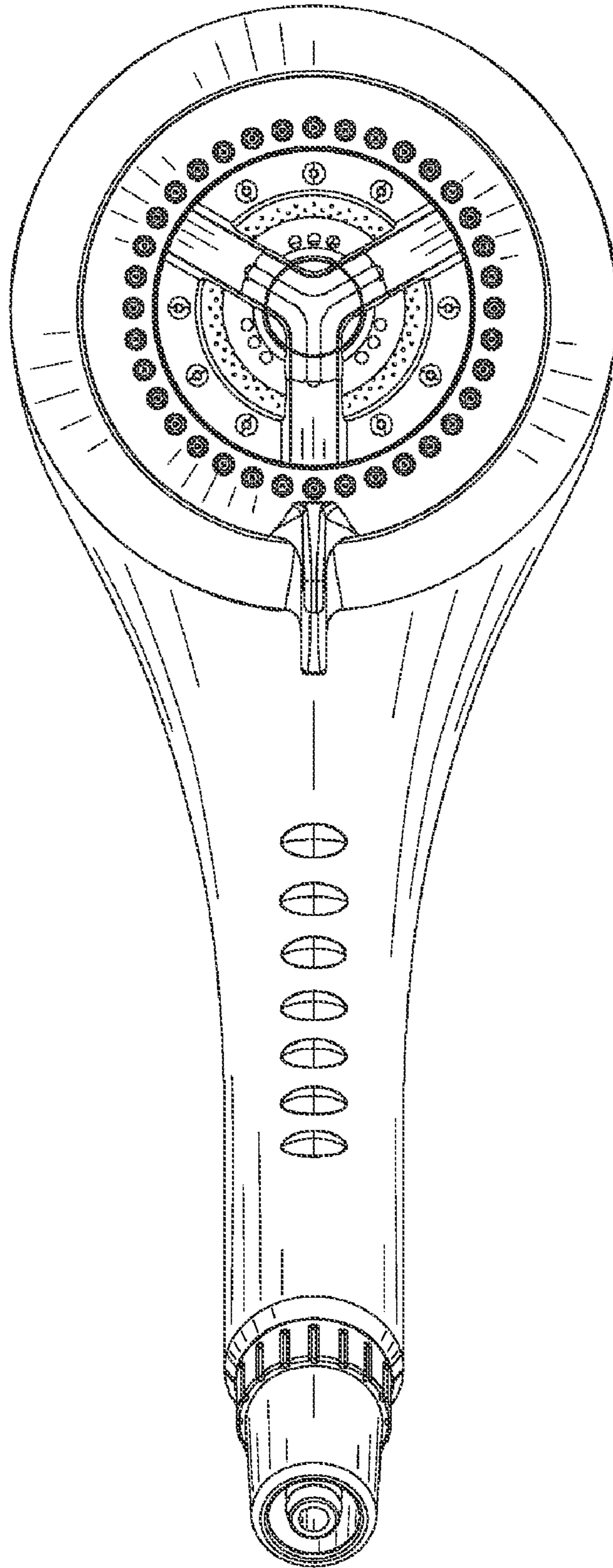


FIG. 1

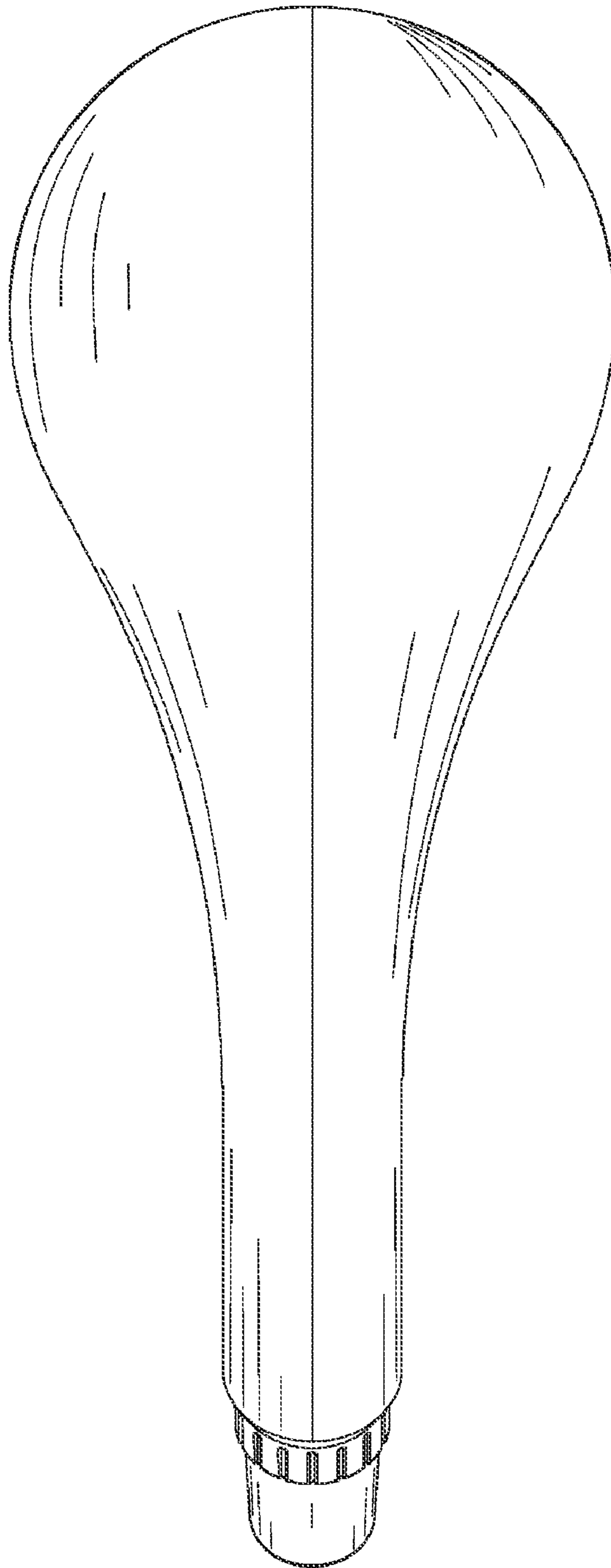


FIG. 2

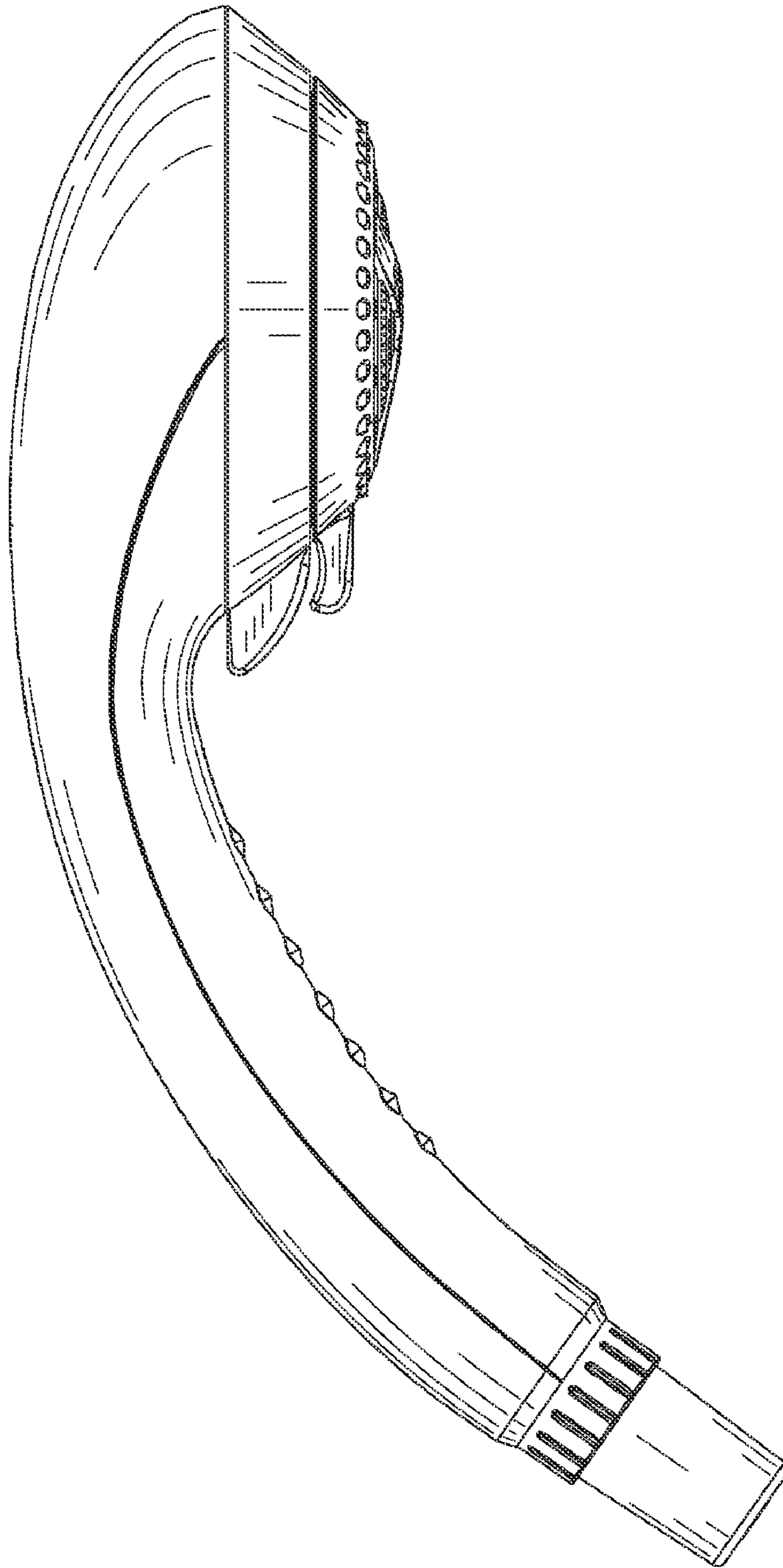


FIG. 3

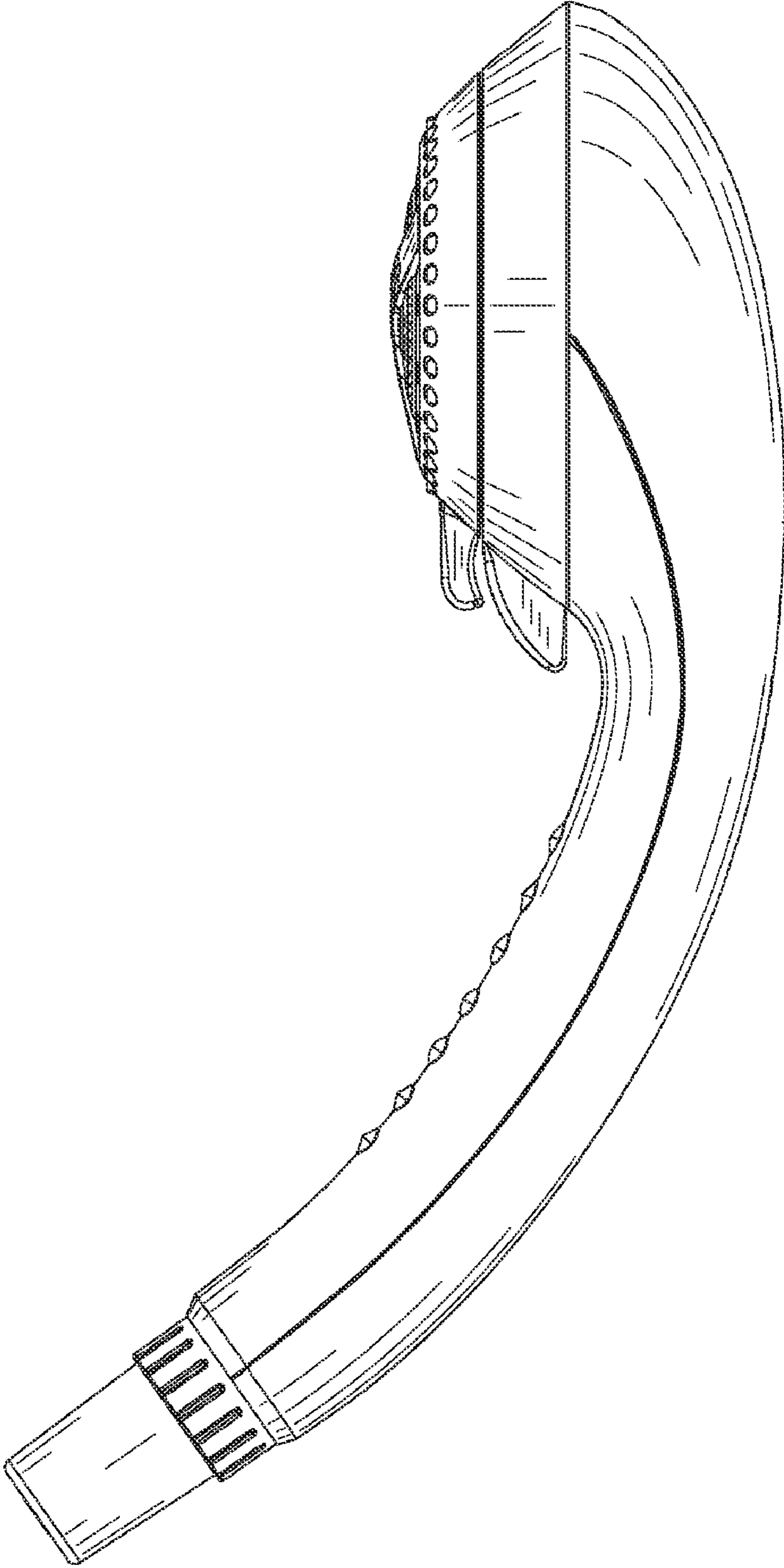
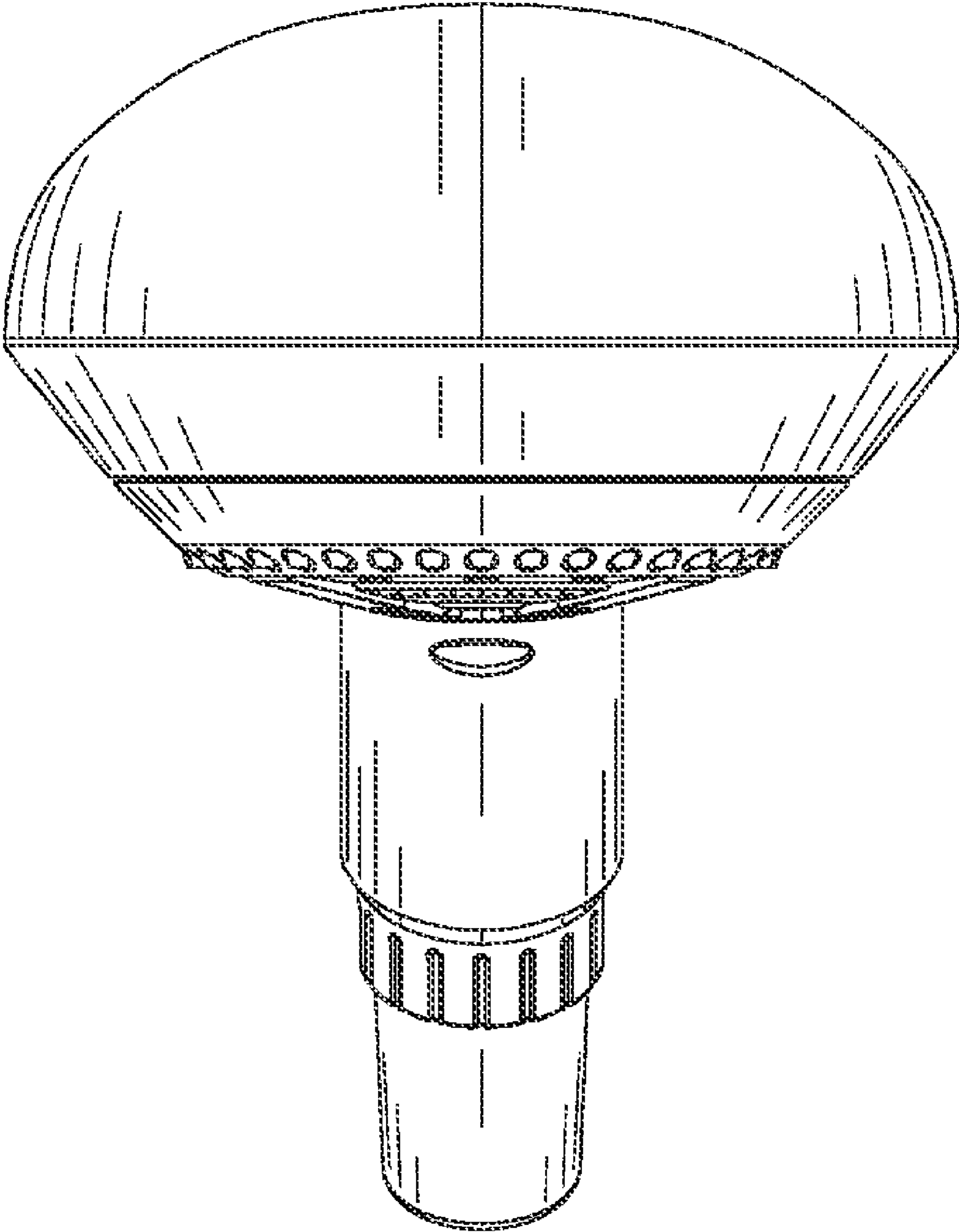
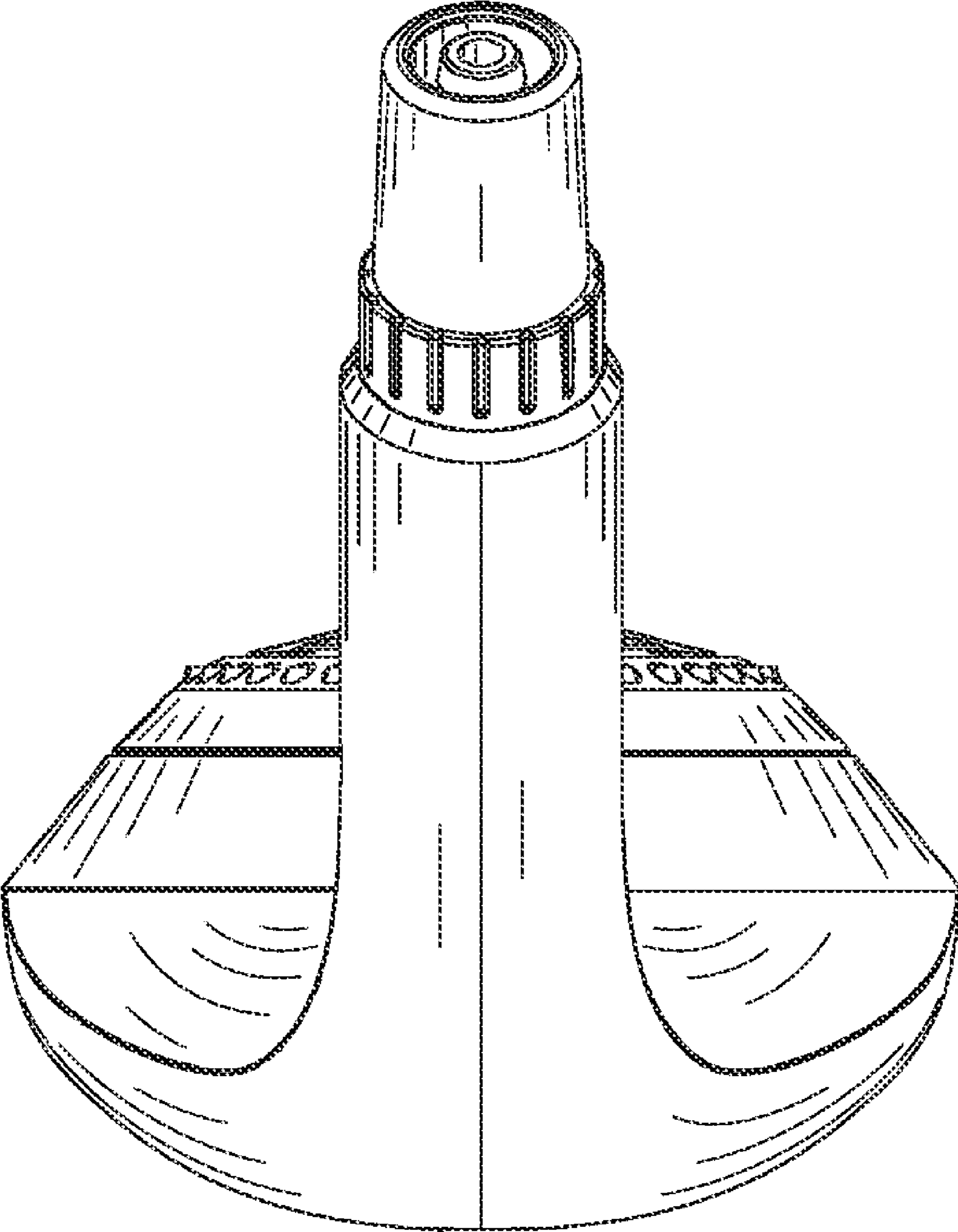


FIG. 4



**FIG. 5**



**FIG. 6**